

United States Patent [19]

Carter

[11] Patent Number: **Des. 284,721**

[45] Date of Patent: **** Jul. 22, 1986**

[54] **TISSUE BOX HOLDER**

[76] Inventor: **Clyde L. Carter**, 1021 - 7th St. West,
Birmingham, Ala. 35204

[**] Term: **14 Years**

[21] Appl. No.: **556,344**

[22] Filed: **Nov. 30, 1983**

[52] U.S. Cl. **D6/518; D6/566;**
D6/567; D6/572; D6/573; D6/574

[58] Field of Search **D6/518, 522, 569, 566,**
D6/573, 574, 567, 553; 211/13, 87, 88, 106, 182

[56] **References Cited**

U.S. PATENT DOCUMENTS

D. 187,388 3/1960 Lum D6/518
D. 237,674 11/1975 Seltzer D6/566
D. 247,327 2/1948 Tracy D6/569

D. 278,295 4/1985 Thompson D6/518
2,672,988 3/1954 Johnson 211/88

Primary Examiner—B. J. Bullock
Assistant Examiner—Suzanne N. Gitlin
Attorney, Agent, or Firm—Woodford R. Thompson, Jr.

[57] **CLAIM**

The ornamental design for a tissue box holder, as shown and described.

DESCRIPTION

FIG. 1 is an enlarged perspective view of a tissue box holder showing my new design;
FIG. 2 is an end elevational view taken from the left of FIG. 1, the right end being a mirror image;
FIG. 3 is a front elevational view thereof;
FIG. 4 is a rear elevational view thereof;
FIG. 5 is a top plan view thereof; and,
FIG. 6 is a bottom view thereof.

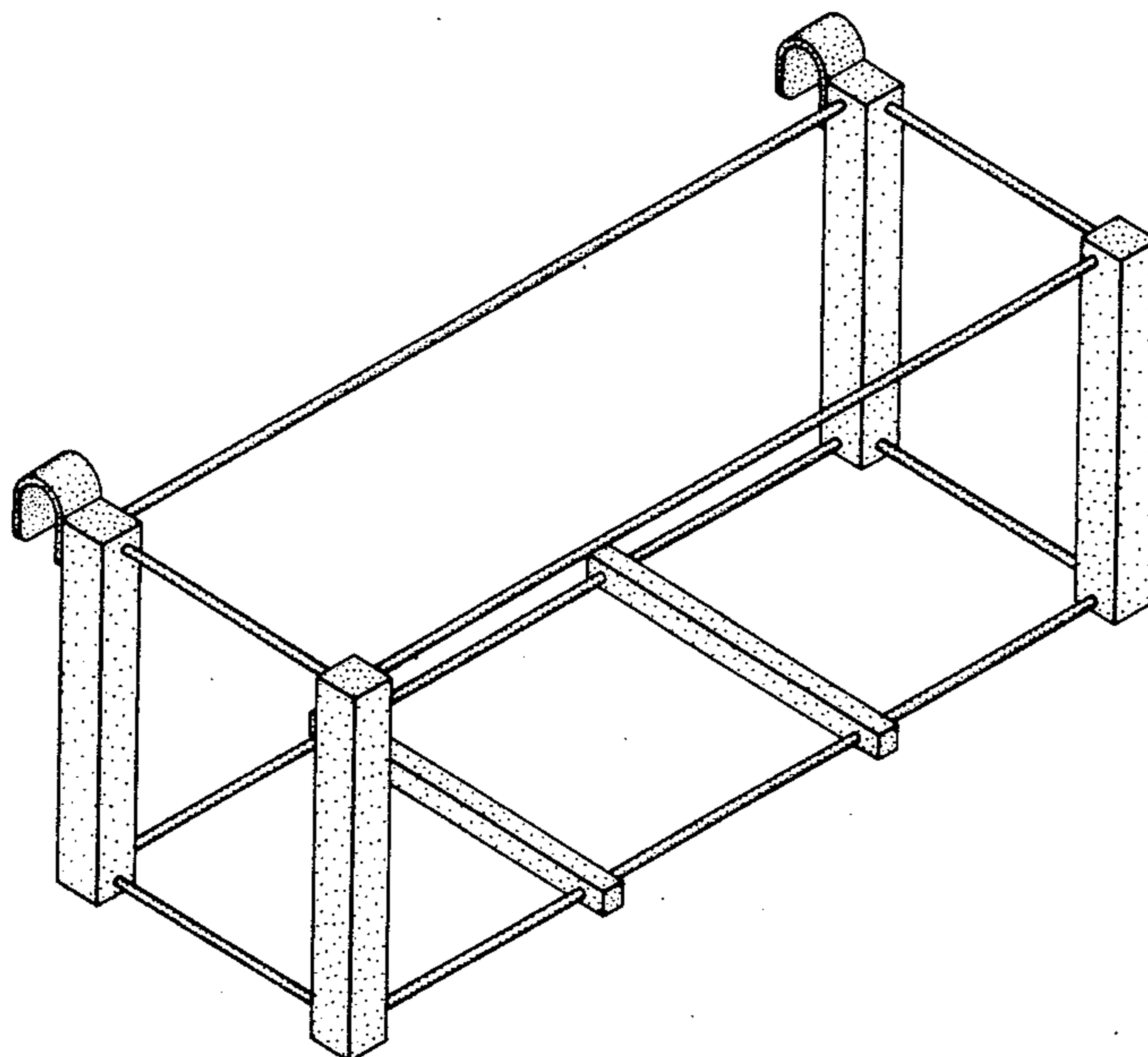


FIG. 1

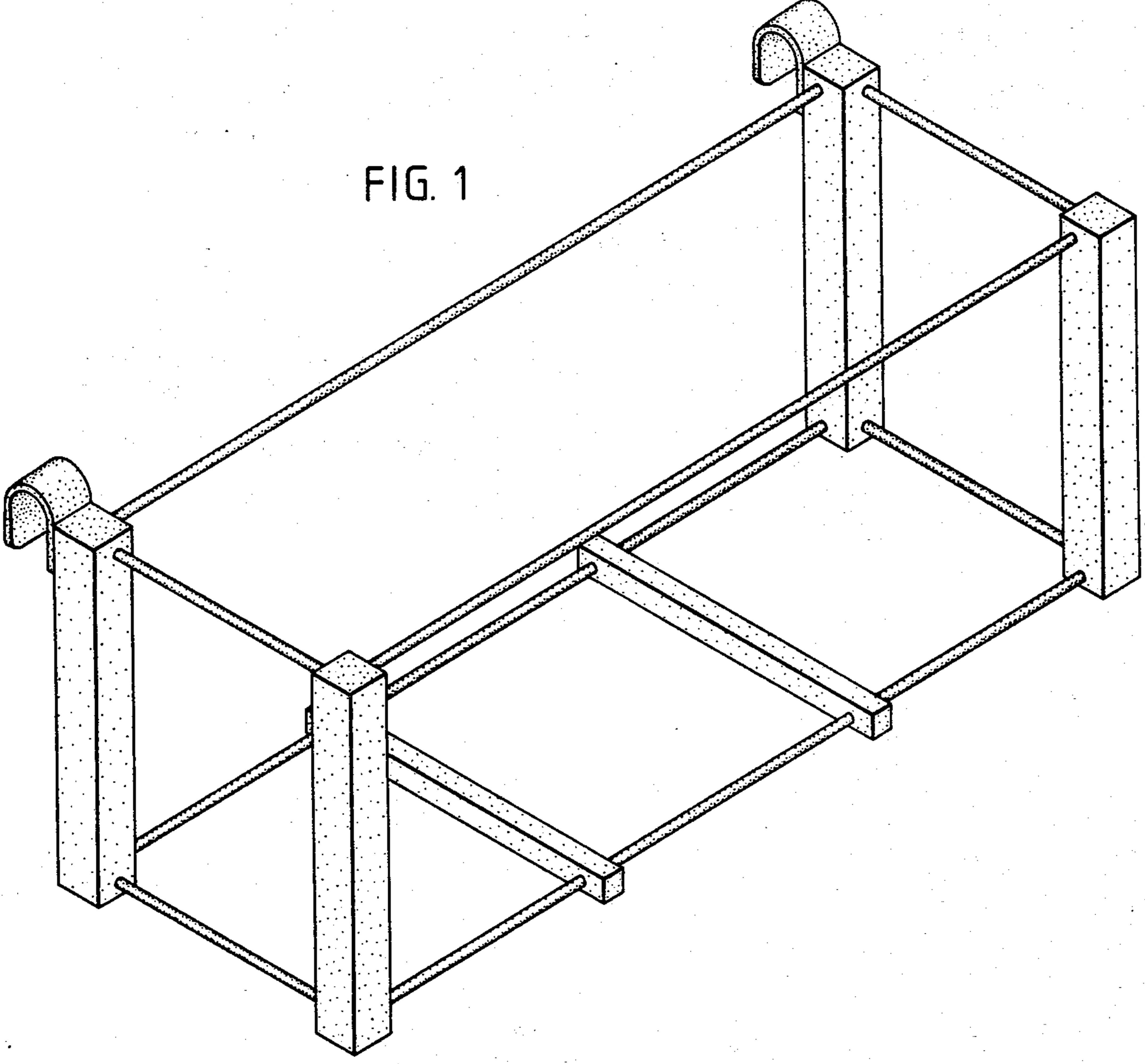


FIG. 2

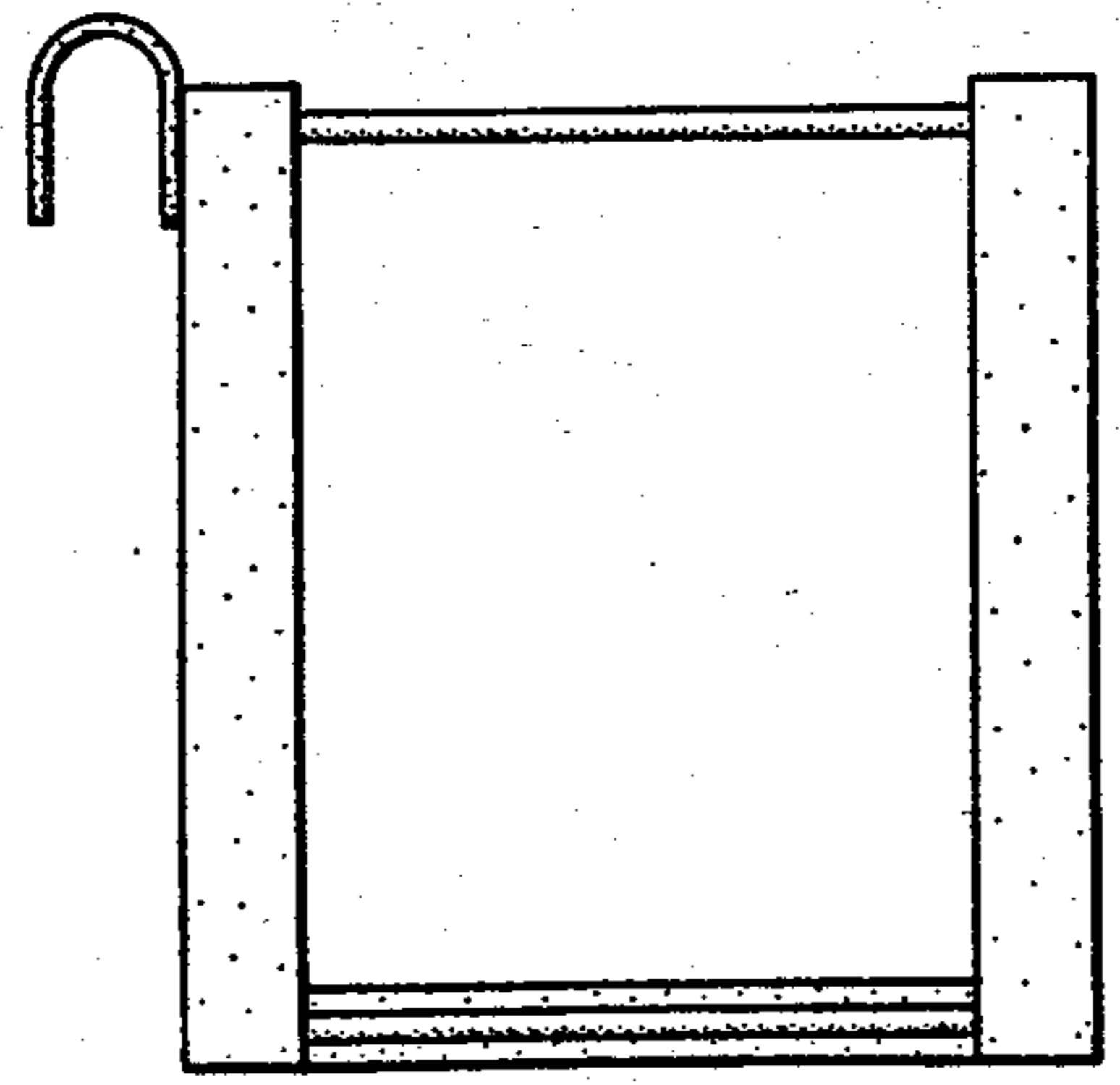


FIG. 3

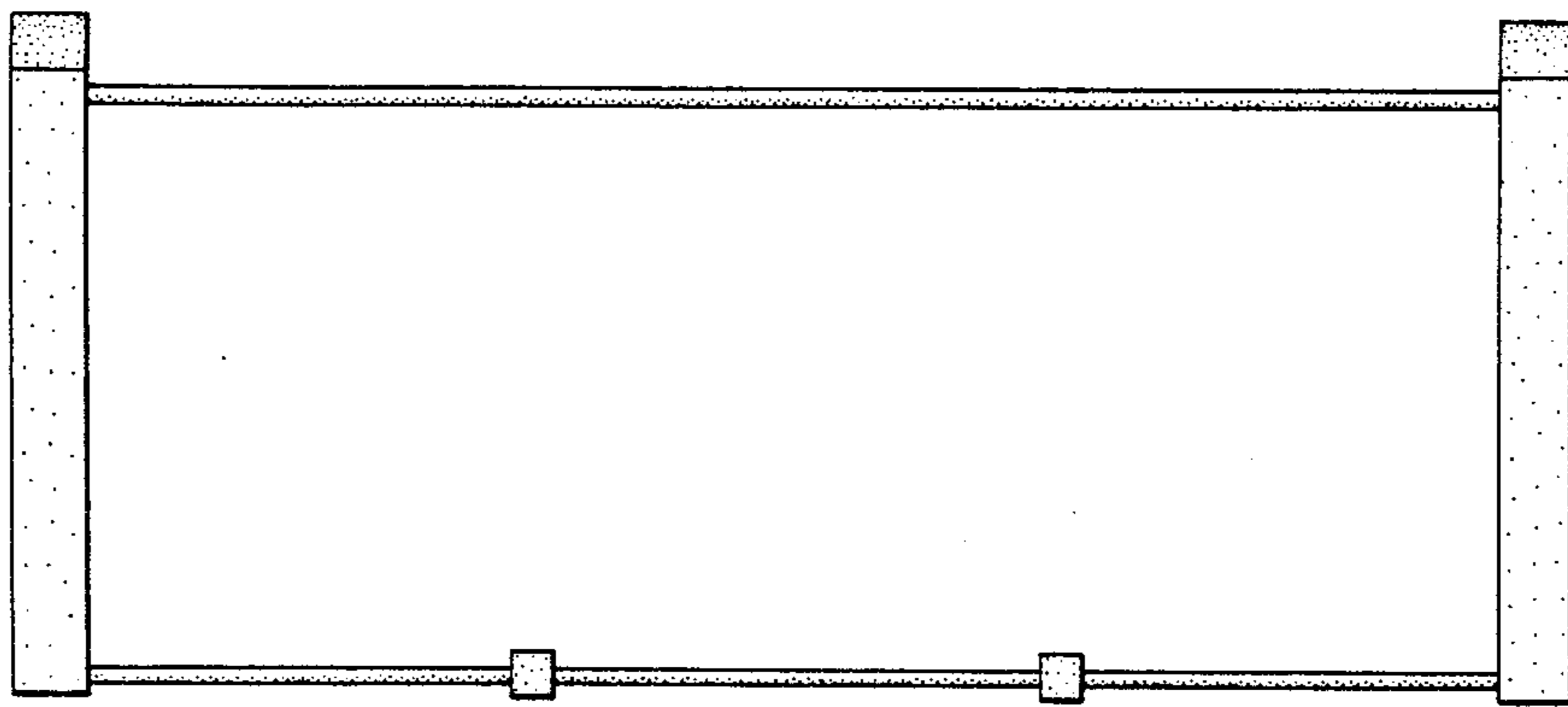


FIG. 4

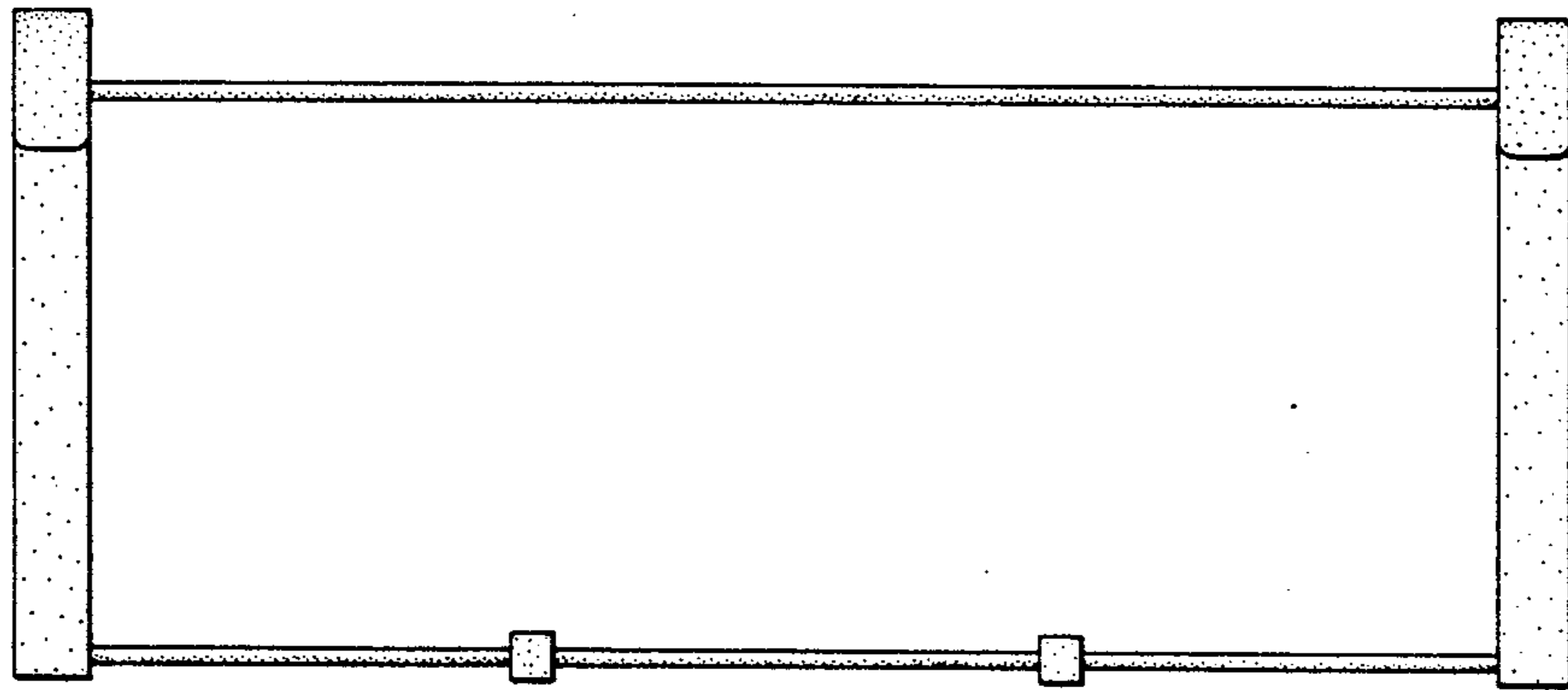


FIG. 5

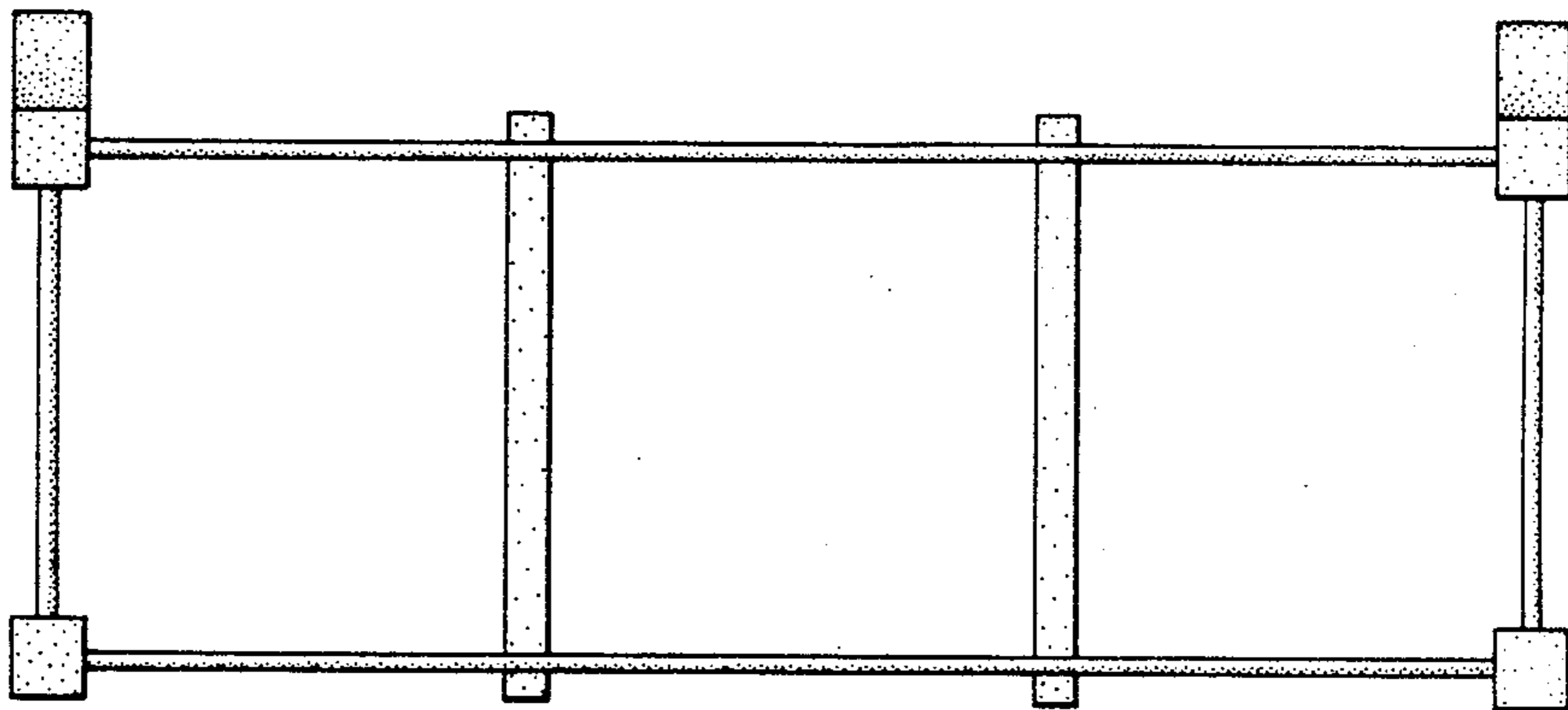


FIG. 6

