

[54] REMOVABLE COOLER FOR A BACKPACK OR SIMILAR ARTICLE

[75] Inventors: Jeffrey M. Jacober, South Kingston; Martha C. Hall, Providence, both of R.I.

[73] Assignee: Sport Graphics, Inc., Cranston, R.I.

[**] Term: 14 Years

[21] Appl. No.: 574,025

[22] Filed: Jan. 26, 1984

[52] U.S. Cl. D3/71; D3/32; D7/77

[58] Field of Search D3/30.1, 33, 32, 35, D3/42, 51, 71; 224/201, 209, 211, 259, 263; D7/77

[56] References Cited

U.S. PATENT DOCUMENTS

D. 135,762	6/1943	Grover	D3/33
D. 244,723	6/1972	Rabinowitz	D7/77
D. 273,533	4/1984	Weinreb	D3/33
2,224,568	12/1940	Altorfer	224/209
2,611,519	9/1952	Utterstrom	.	
2,988,125	6/1961	Reynolds	D3/33
3,233,803	2/1966	Gray	.	
3,326,357	6/1967	Miller	.	
3,679,108	7/1972	Ingram	.	

3,705,222 12/1972 Rogers et al. .
3,980,216 9/1976 Nye .
4,014,456 3/1977 Echtle .

OTHER PUBLICATIONS

Housewares Insert, 5/1/73, Item KA366.

Primary Examiner—George P. Word
Attorney, Agent, or Firm—Lockwood, Alex, Fitzgibbon & Cummings

[57] CLAIM

The ornamental design for a removable cooler for a backpack or similar article, as shown and described.

DESCRIPTION

FIG. 1 is a perspective view of a removable cooler for a backpack or similar article showing our new design, the environmental structure shown in dotted lines being for illustrative purposes only;

FIG. 2 is a perspective view thereof showing the cooler removed from the environmental structure shown in FIG. 1;

FIG. 3 is a front elevational view thereof;

FIG. 4 is a right end elevational view thereof;

FIG. 5 is a rear elevational view thereof;

FIG. 6 is a left end elevational view thereof;

FIG. 7 is a top plan view thereof; and

FIG. 8 is a bottom plan view thereof.

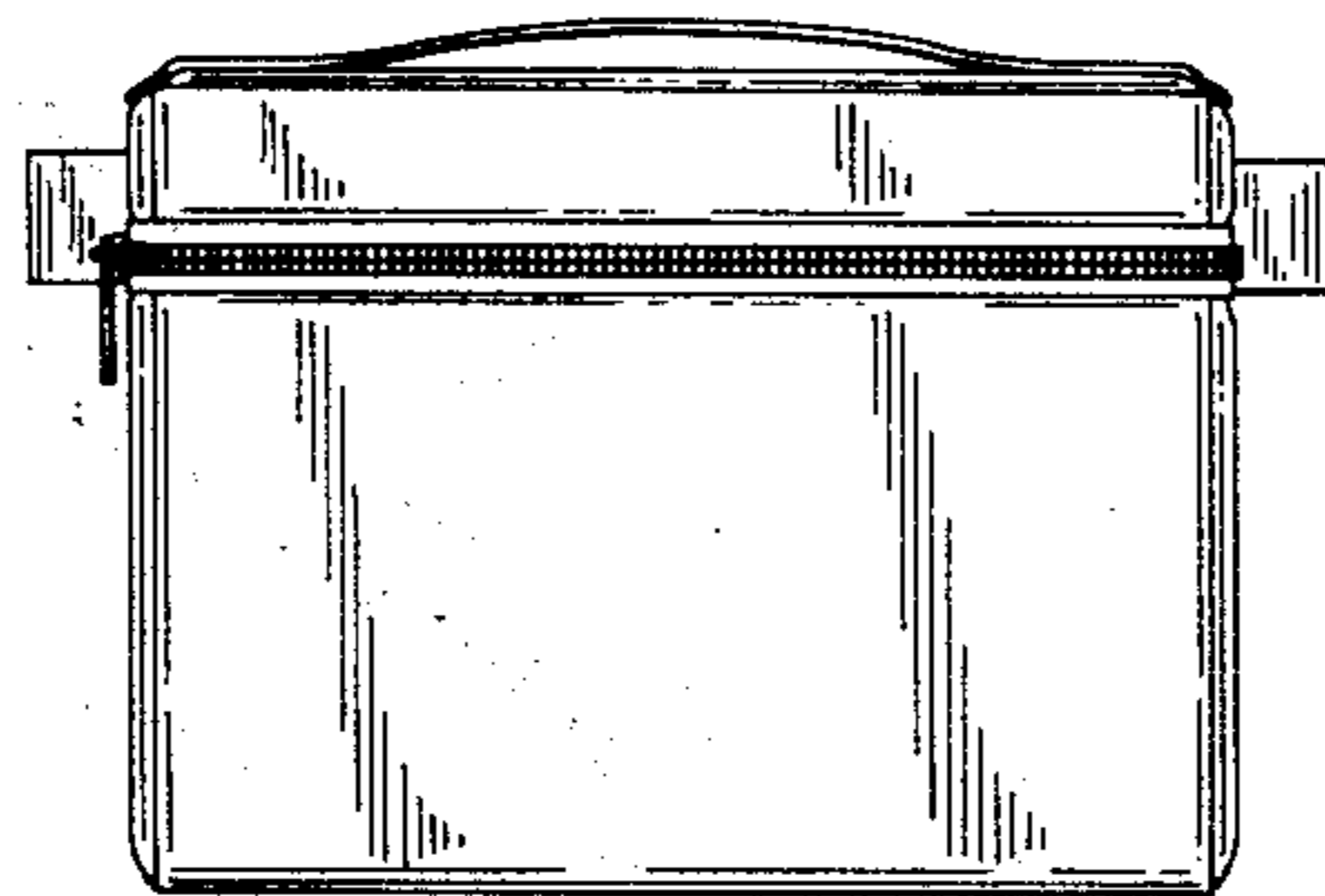


FIG. 1

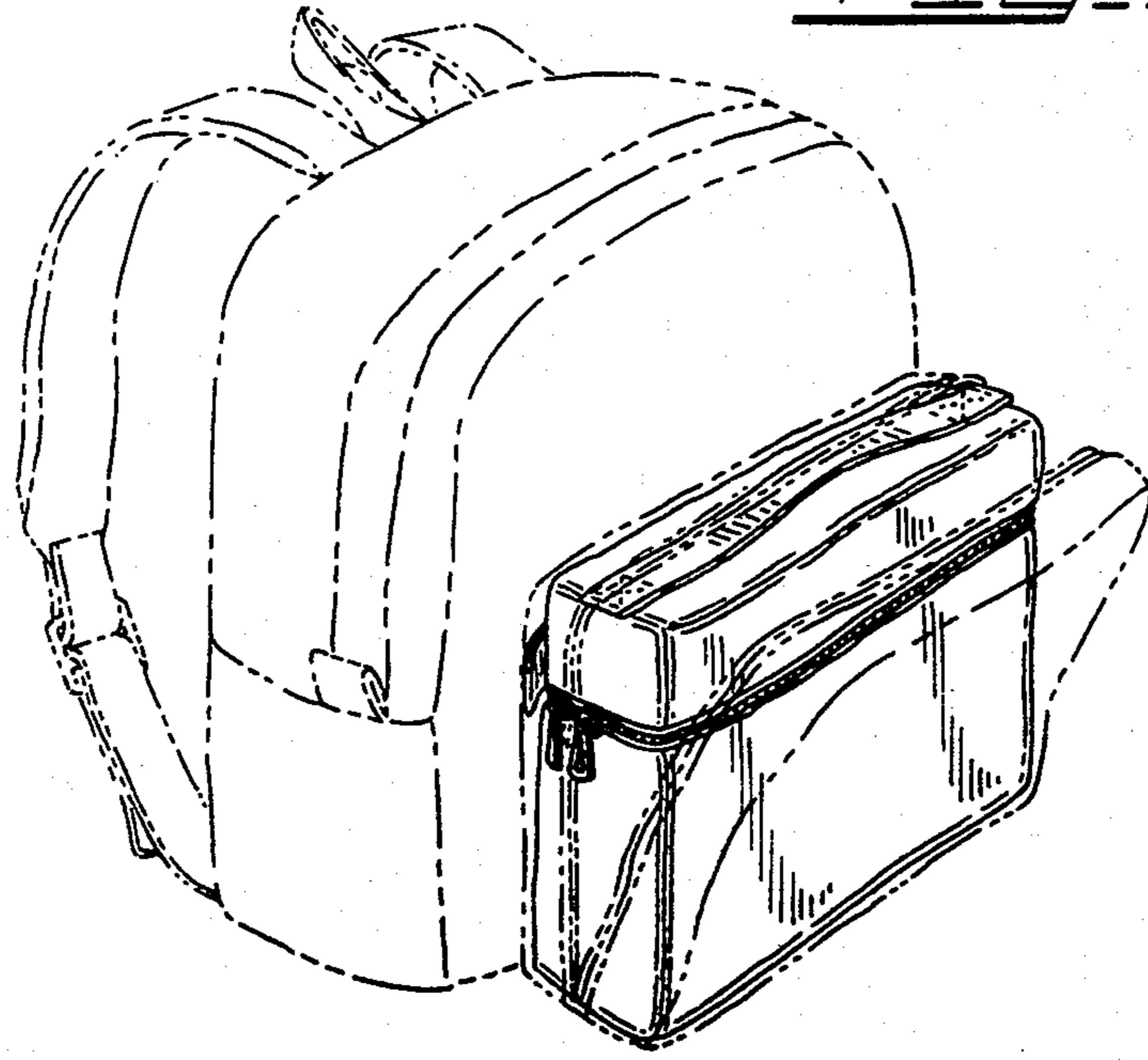


FIG. 2

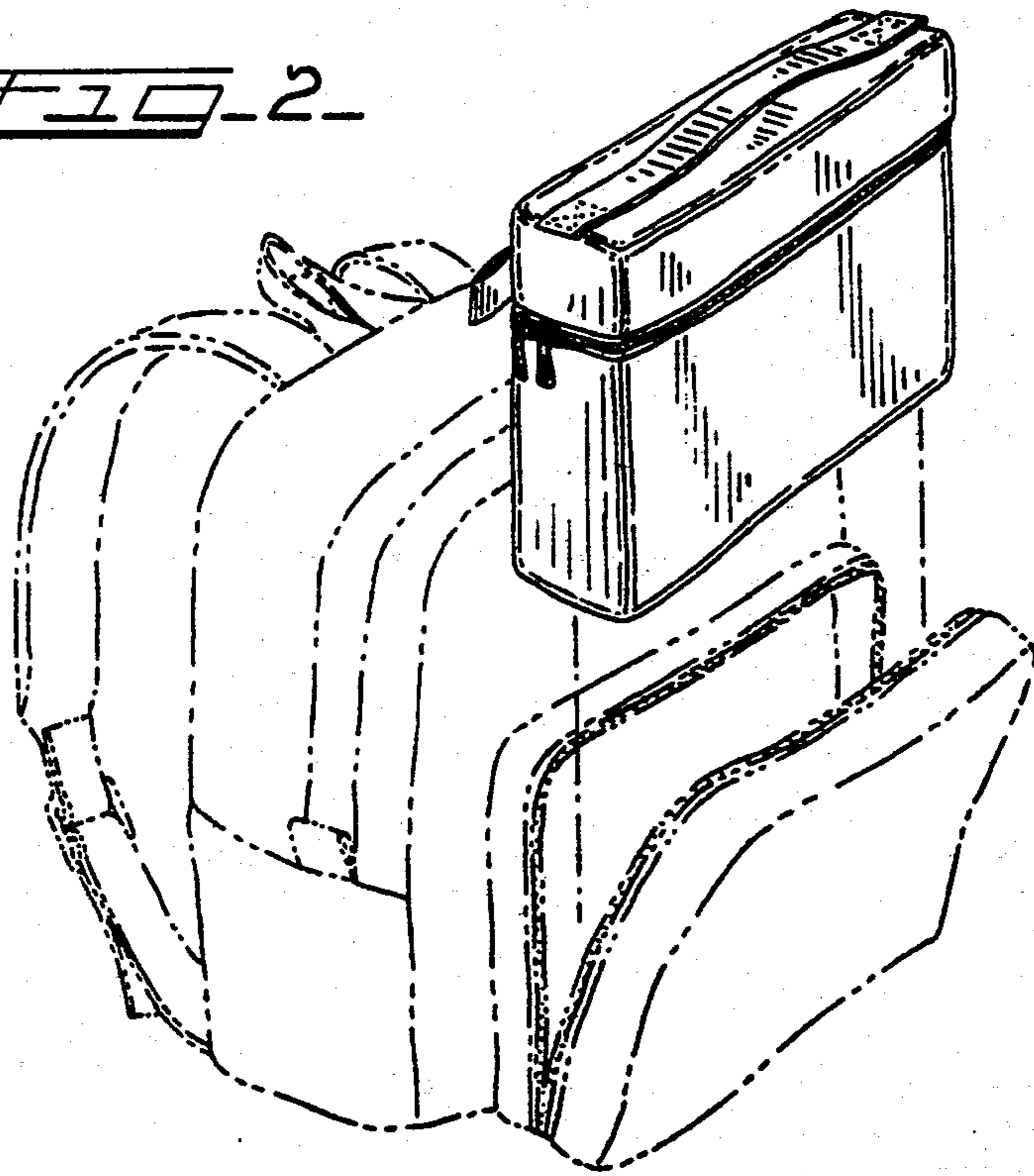


FIG-3-

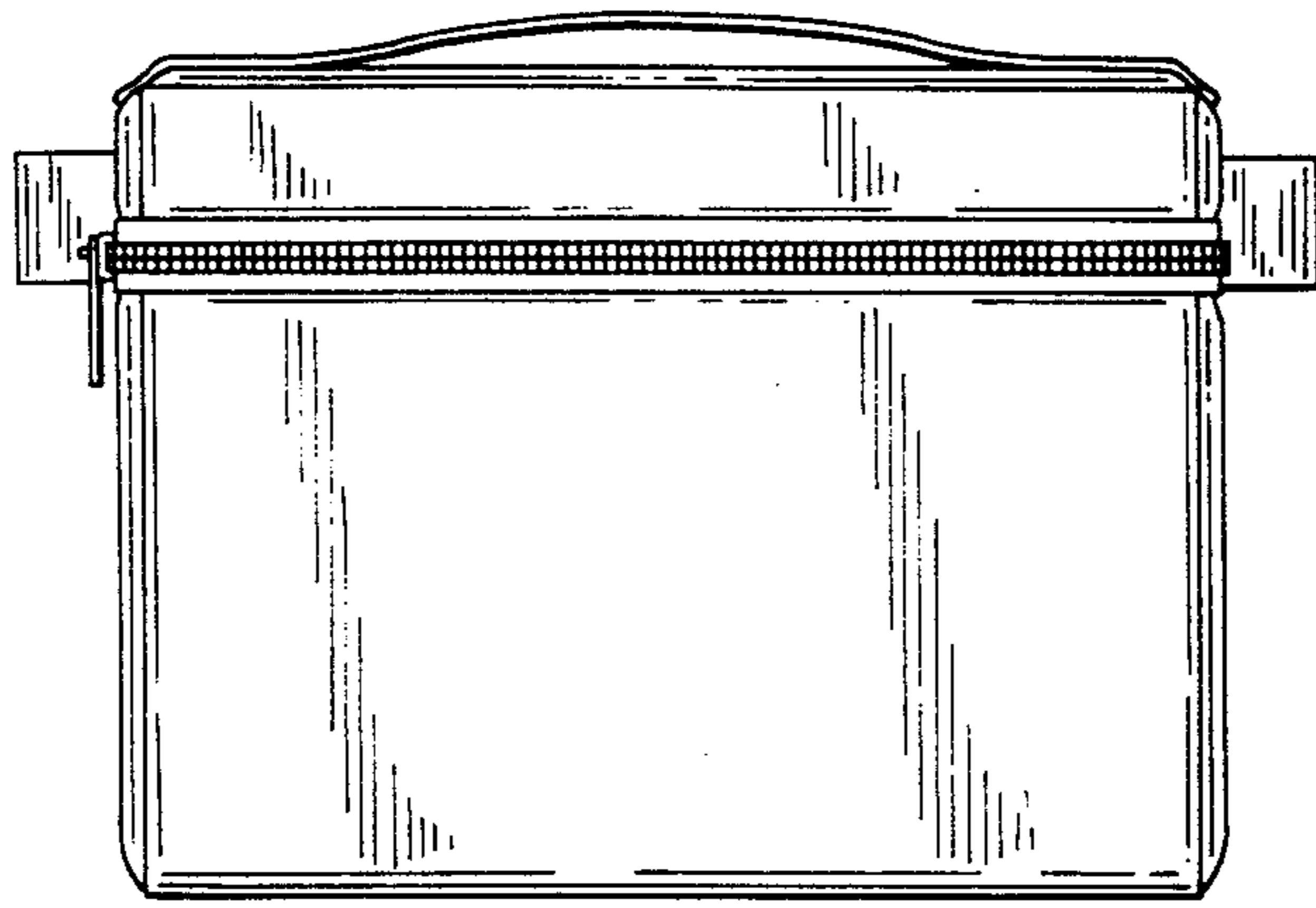


FIG-4-

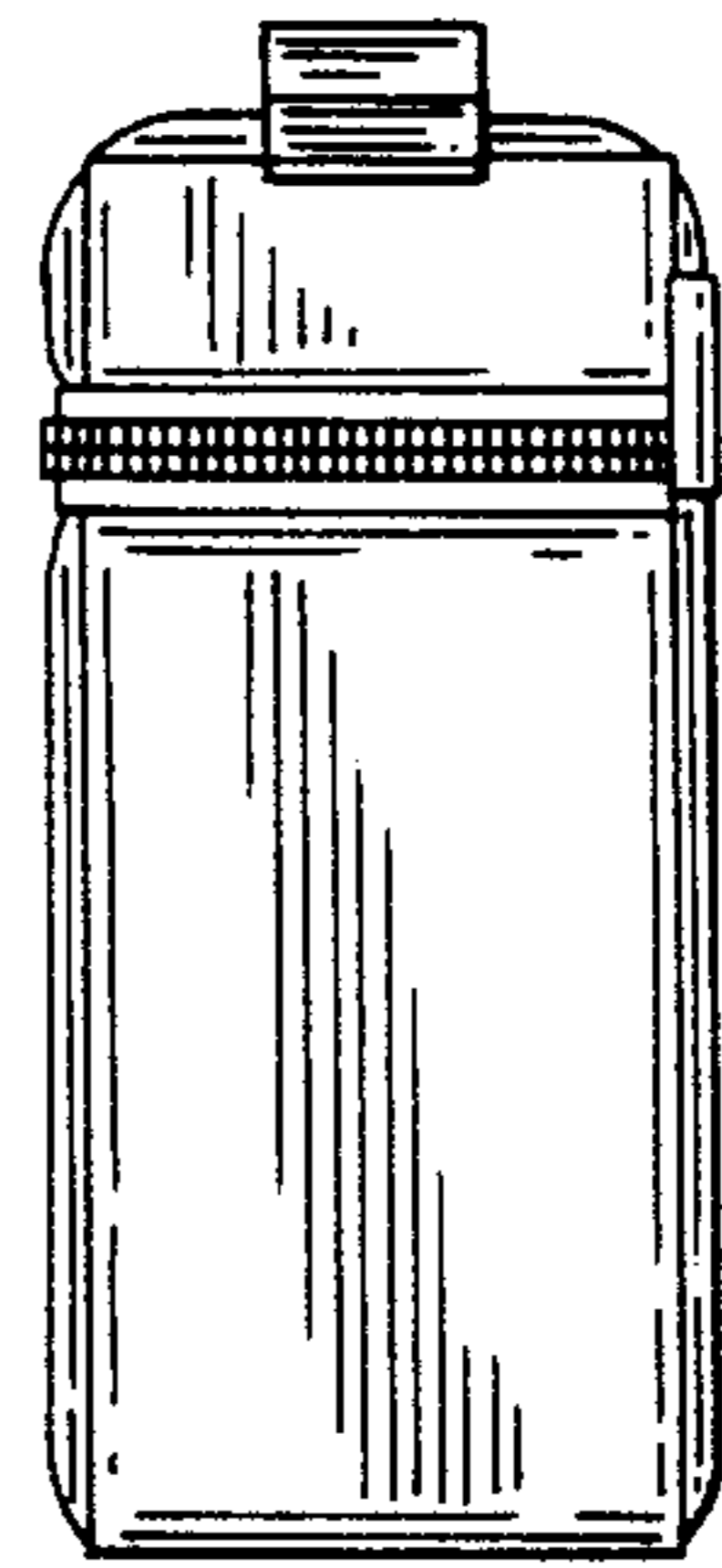


FIG-5-

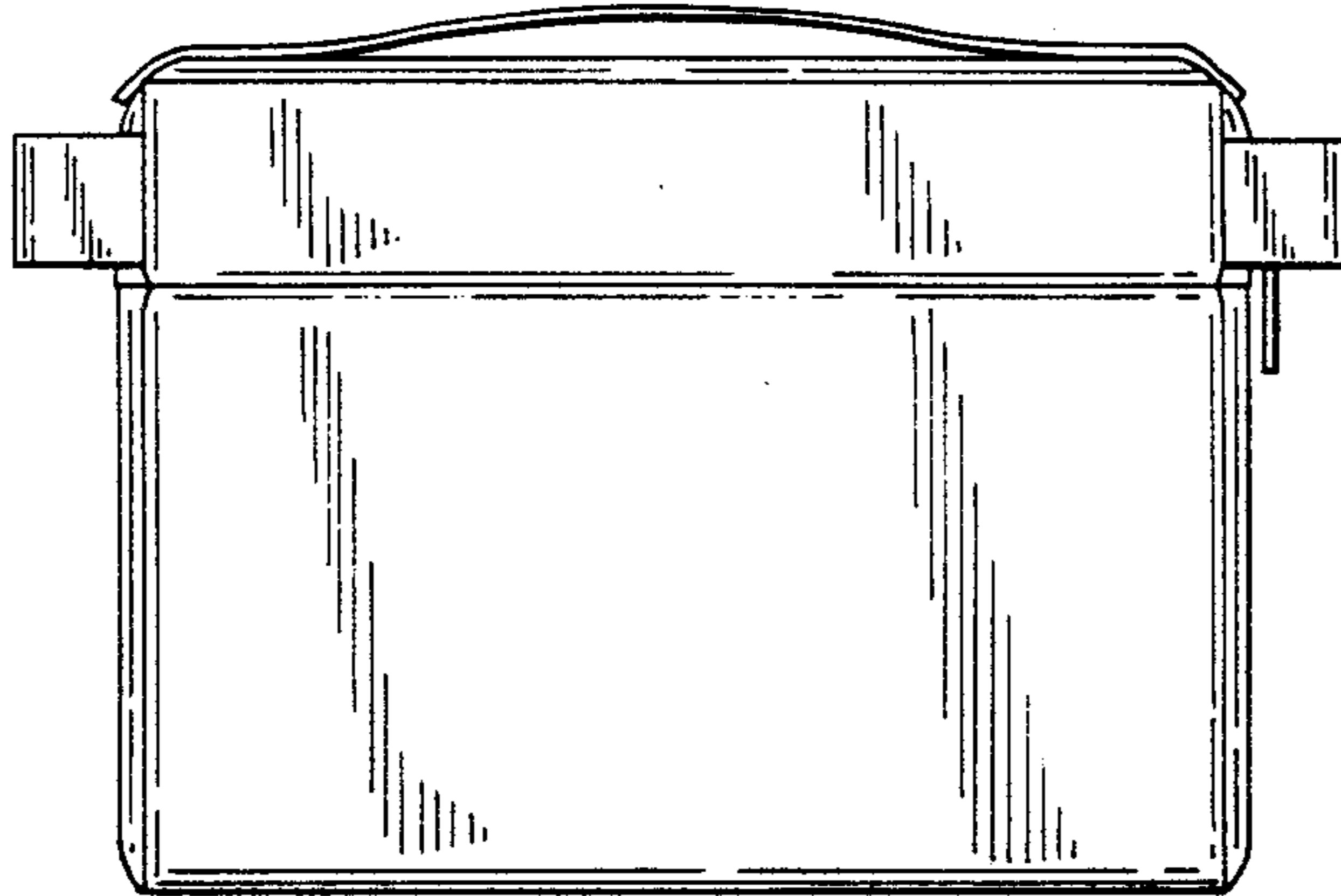


FIG-6-

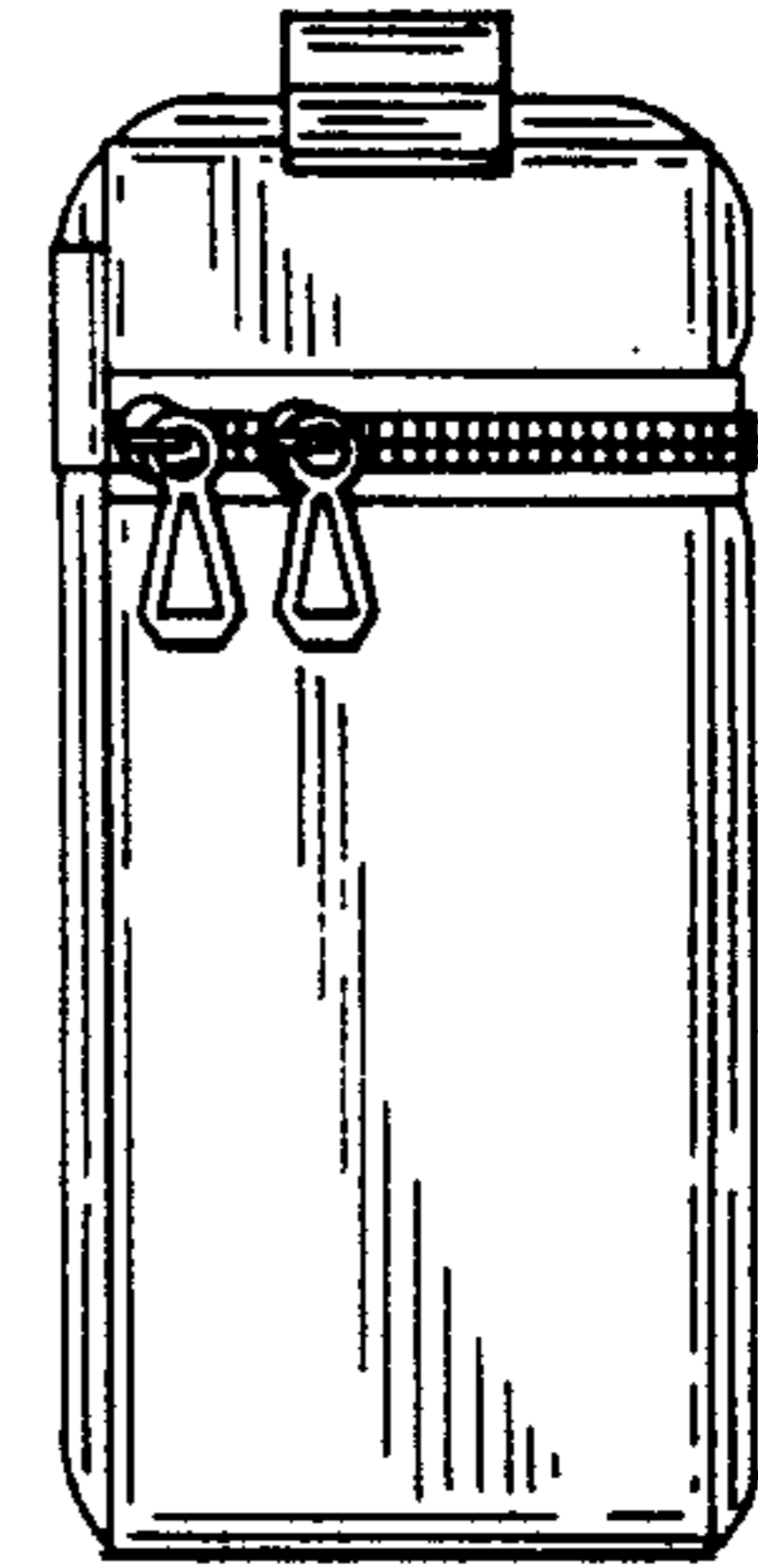


FIG-7-

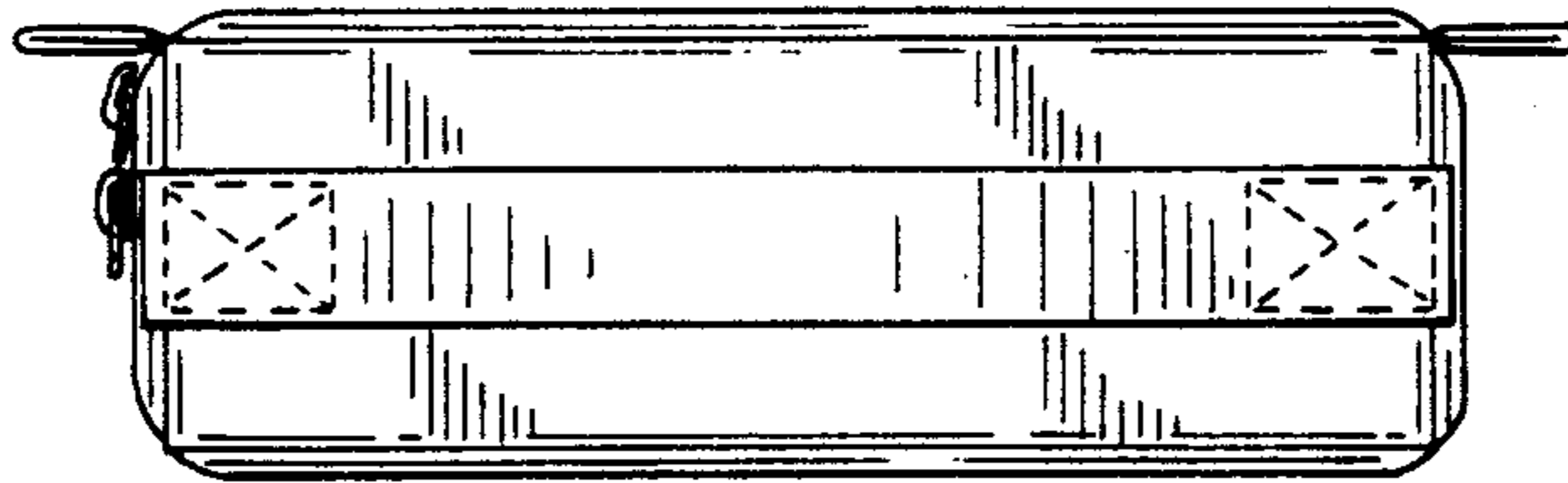


FIG-8-

