

[54] OROPHARYNGEAL TUBE WITH NARES OCCLUDER

[76] Inventor: R. Paul Deenadayalu, 298 Shadywood Dr., Dayton, Ohio 45415

[**] Term: 14 Years

[21] Appl. No.: 494,368

[22] Filed: May 13, 1983

[52] U.S. Cl. D24/62

[58] Field of Search D24/62; D29/7; 128/205.13, 207.14

[56] References Cited

U.S. PATENT DOCUMENTS

3,291,121 8/1963 Vizneau D29/7 X
4,270,531 6/1981 Blachly et al. 128/207.14

FOREIGN PATENT DOCUMENTS

574736 4/1959 Canada 128/207.14

Primary Examiner—A. Hugo Word
Assistant Examiner—Stella M. Reid
Attorney, Agent, or Firm—Jacox & Meckstroth

[57] CLAIM

The ornamental design for an oropharyngeal tube with nares occluder, substantially as shown and described.

DESCRIPTION

FIG. 1 is a front perspective view of an oropharyngeal tube with nares occluder showing my new design.
FIG. 2 is a side elevational view thereof, as viewed from the right hand side of FIG. 1.
FIG. 3 is a rear elevational view thereof.
FIG. 4 is top plan view thereof.
FIG. 5 is a front elevational view thereof.
FIG. 6 is a bottom plan view thereof.

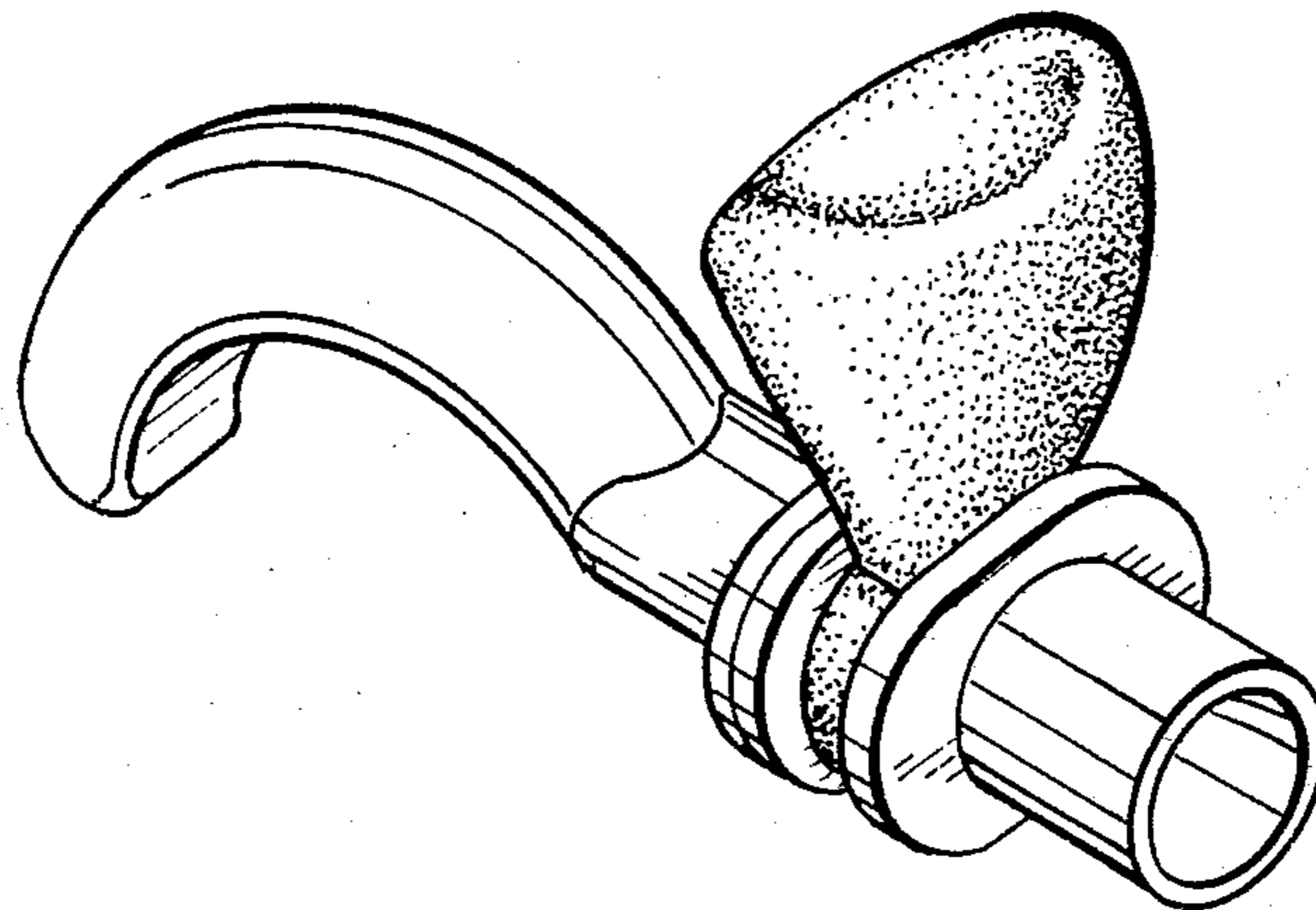


FIG-1

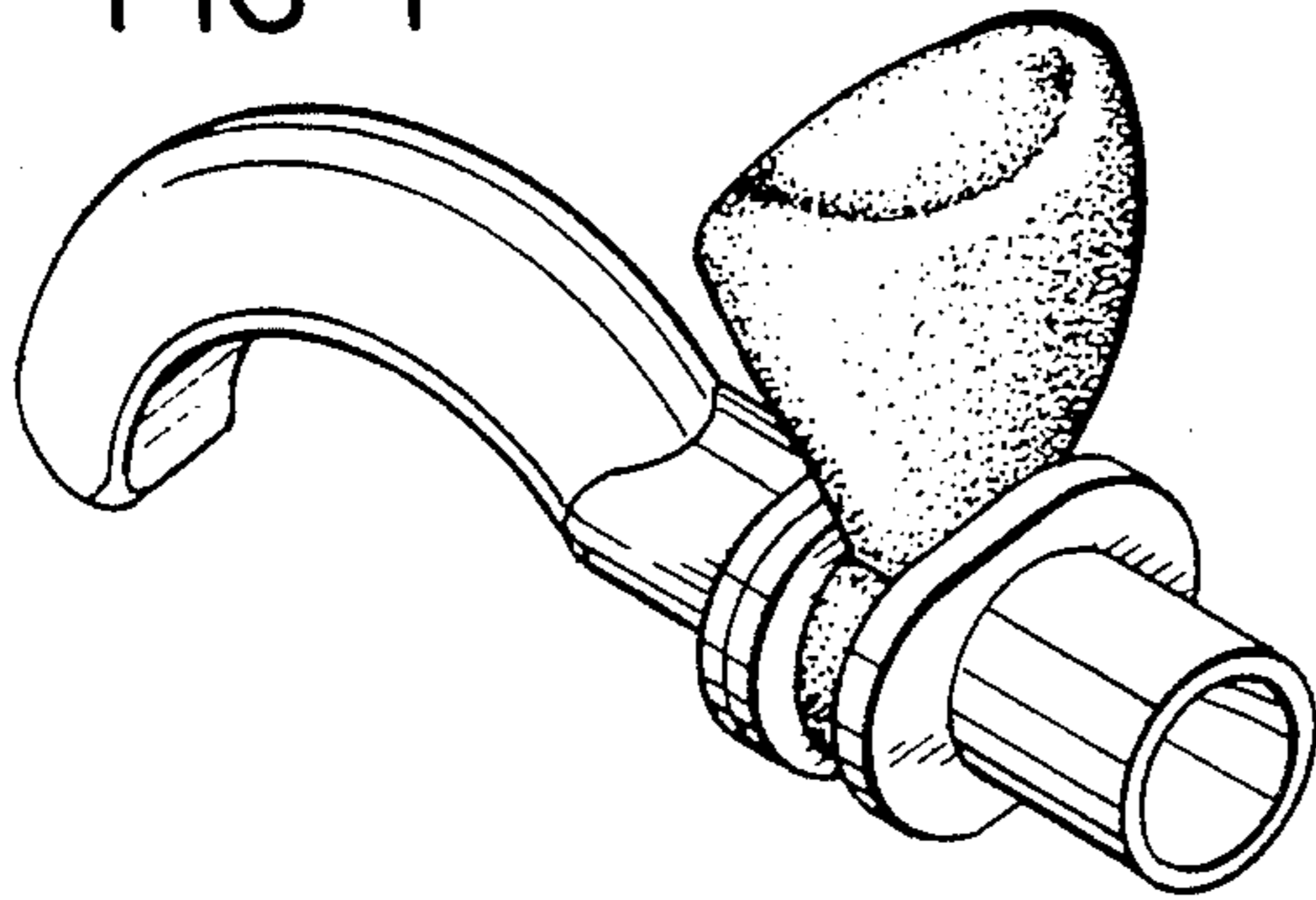


FIG-2

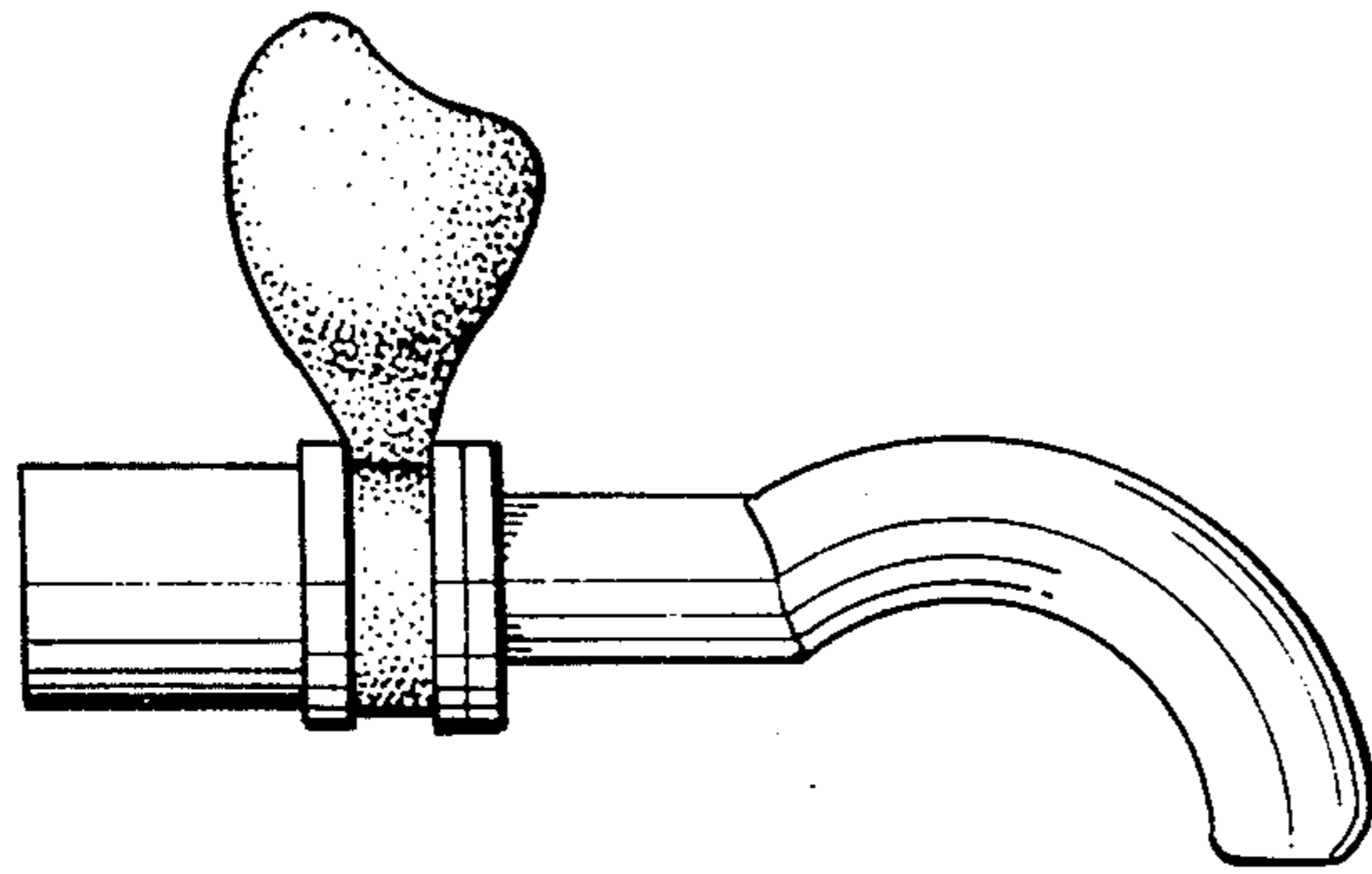


FIG-3

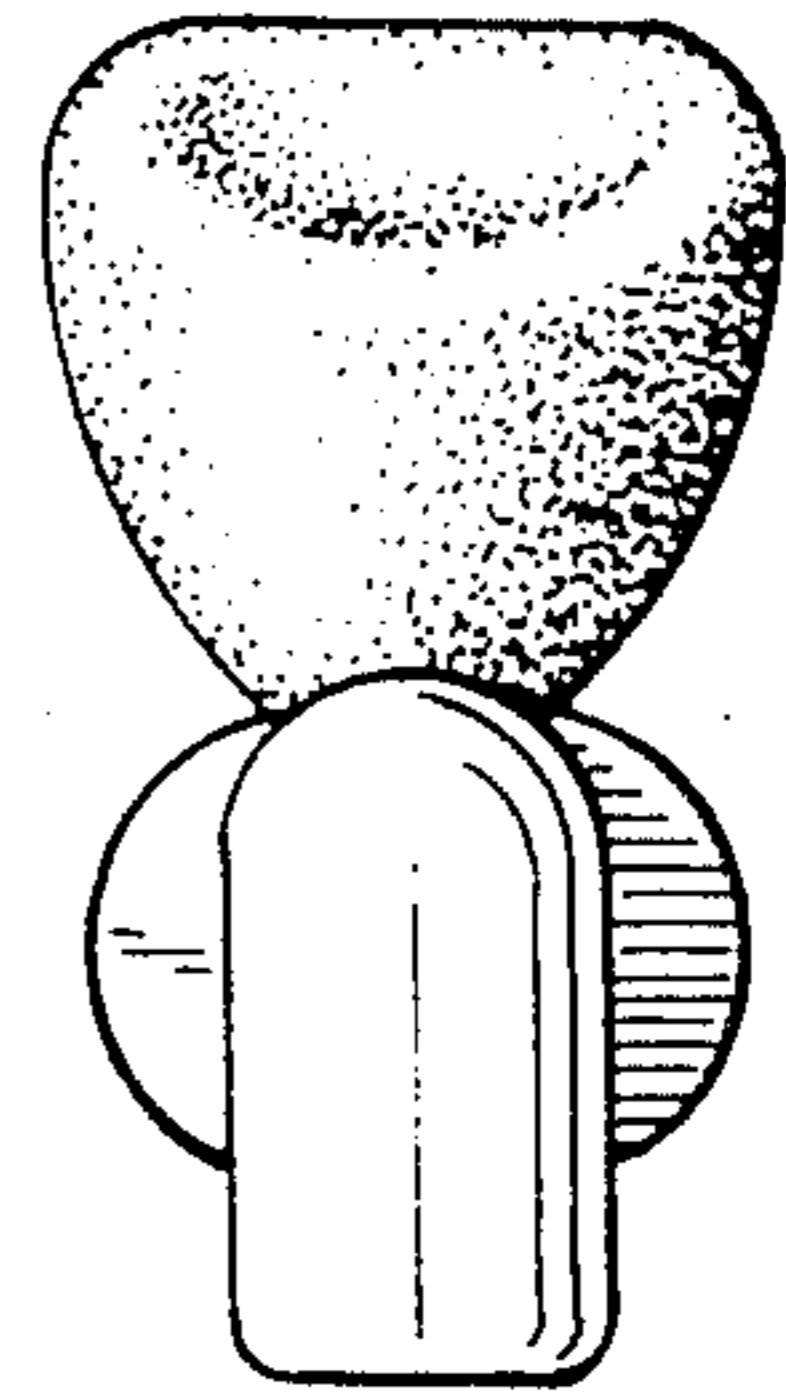


FIG-4

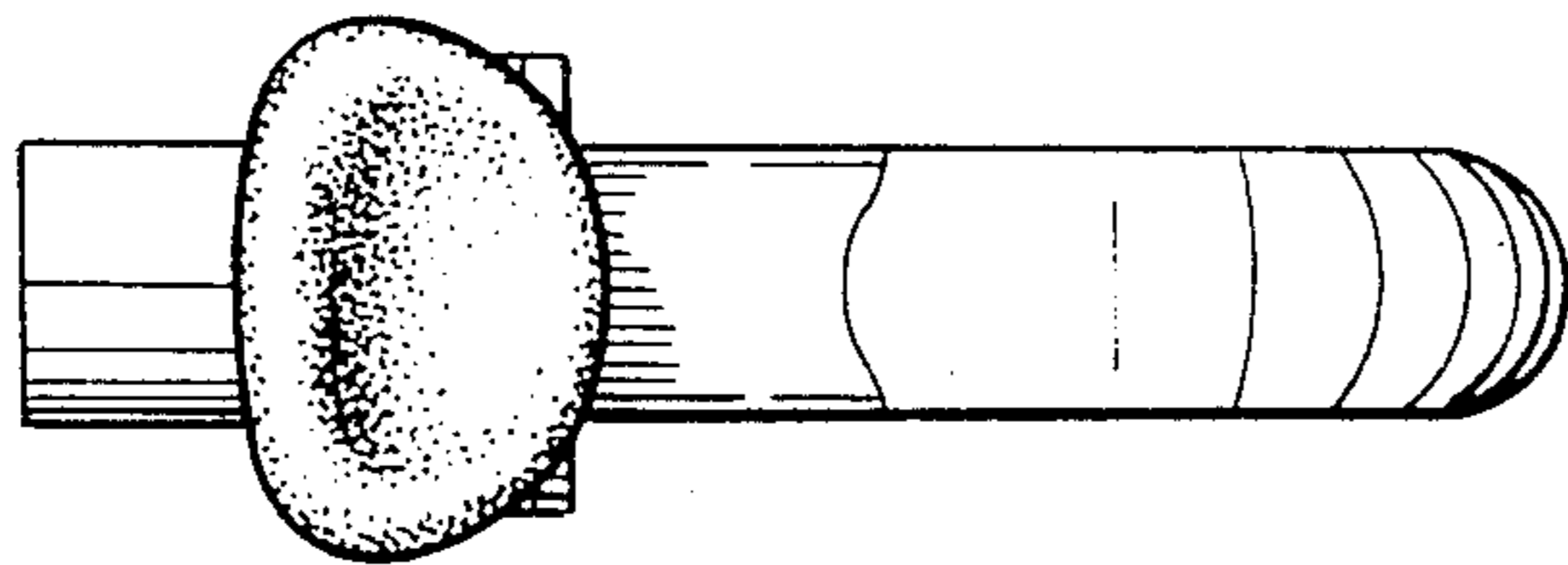


FIG-5

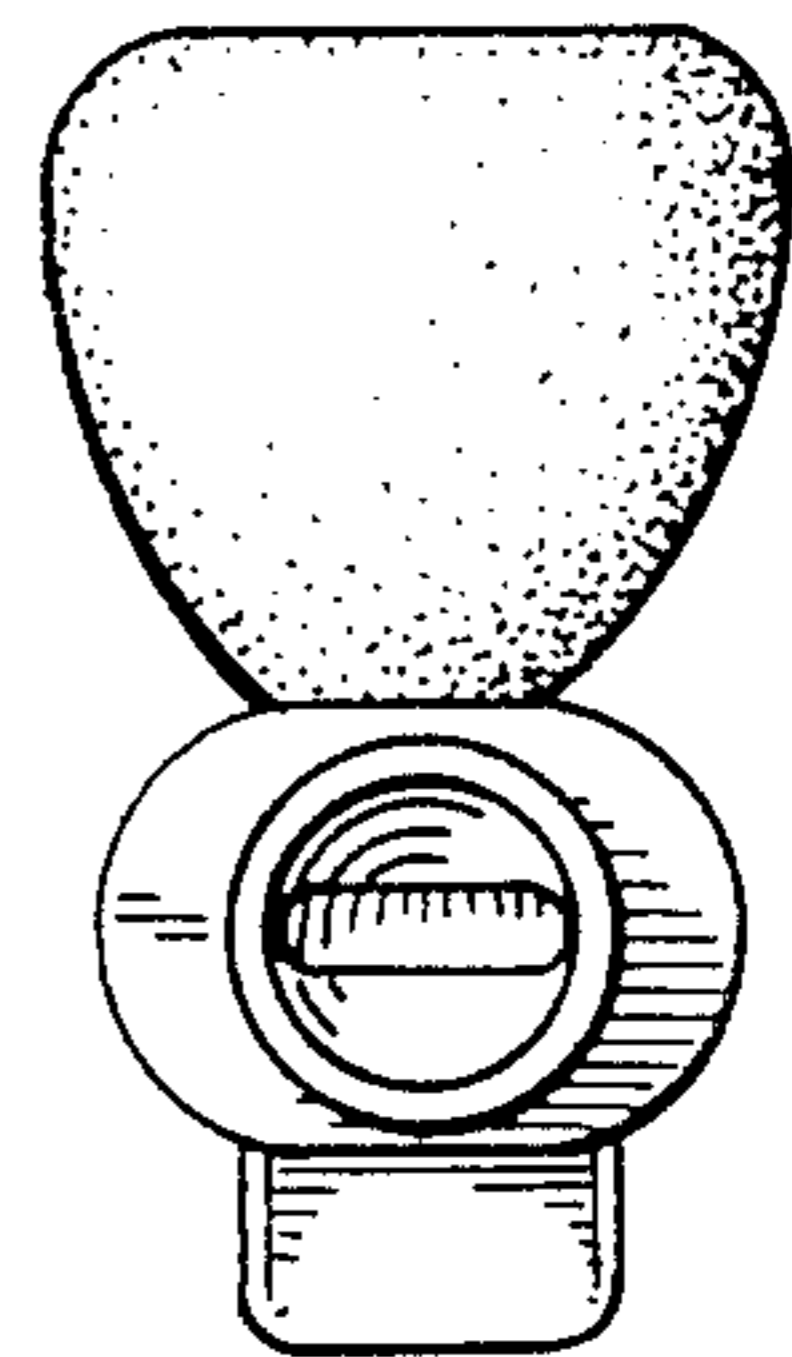


FIG-6

