

- [54] **LATERAL ANASTOMOSIS SURGICAL STAPLER**
- [75] **Inventor: David T. Green, Norwalk, Conn.**
- [73] **Assignee: United States Surgical Corporation, Norwalk, Conn.**
- [\*\*] **Term: 14 Years**
- [21] **Appl. No.: 598,784**
- [22] **Filed: Apr. 10, 1984**
- [52] **U.S. Cl. .... D24/26**
- [58] **Field of Search ..... D24/26, 27, 28; D8/48, D8/49, 50, 51, 68; 72/410; 128/305, 334 R, 337, 335; 206/339; 227/DIG. 1, 8, 19, 76, 107, 109, 110, 120, 129, 127, 134, 153, 156**

[56] **References Cited**  
**U.S. PATENT DOCUMENTS**

D. 272,851	2/1984	Green et al. ....	D24/26
D. 272,852	2/1984	Green et al. ....	D24/26
3,079,606	3/1963	Bobrov et al. ....	1/120
3,482,428	12/1969	Kapitanov et al. ....	72/410
3,490,675	1/1970	Green et al. ....	227/19
3,499,591	3/1970	Green .....	227/76
4,429,695	2/1984	Green .....	128/305

**FOREIGN PATENT DOCUMENTS**

888868 12/1971 Canada .  
173878 9/1965 U.S.S.R. .

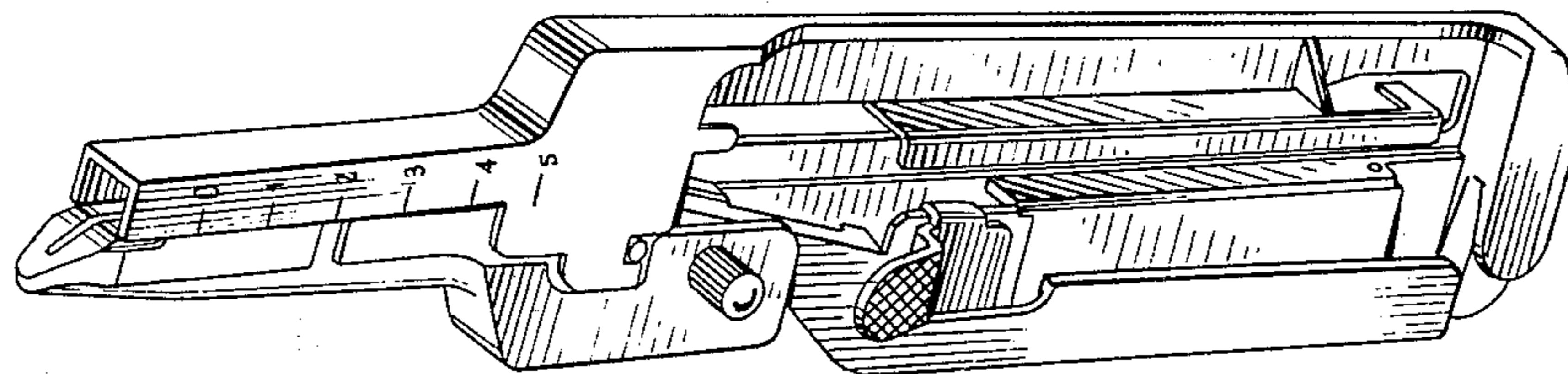
*Primary Examiner*—A. Hugo Word  
*Assistant Examiner*—Stella M. Reid  
*Attorney, Agent, or Firm*—Robert R. Jackson; John E. Nathan; Richard A. Inz

[57] **CLAIM**

The ornamental design for a lateral anastomosis surgical stapler, substantially as shown and described.

**DESCRIPTION**

FIG. 1 is a perspective view of a lateral anastomosis surgical stapler showing my new design;  
FIG. 2 is a side elevational view thereof;  
FIG. 3 is a side elevational view thereof as seen from the rear of FIG. 1;  
FIG. 4 is a top plan view thereof;  
FIG. 5 is a bottom plan view thereof;  
FIG. 6 is an end elevational view thereof as seen from the left of FIG. 2; and  
FIG. 7 is an end elevational view thereof as seen from the left of FIG. 3.



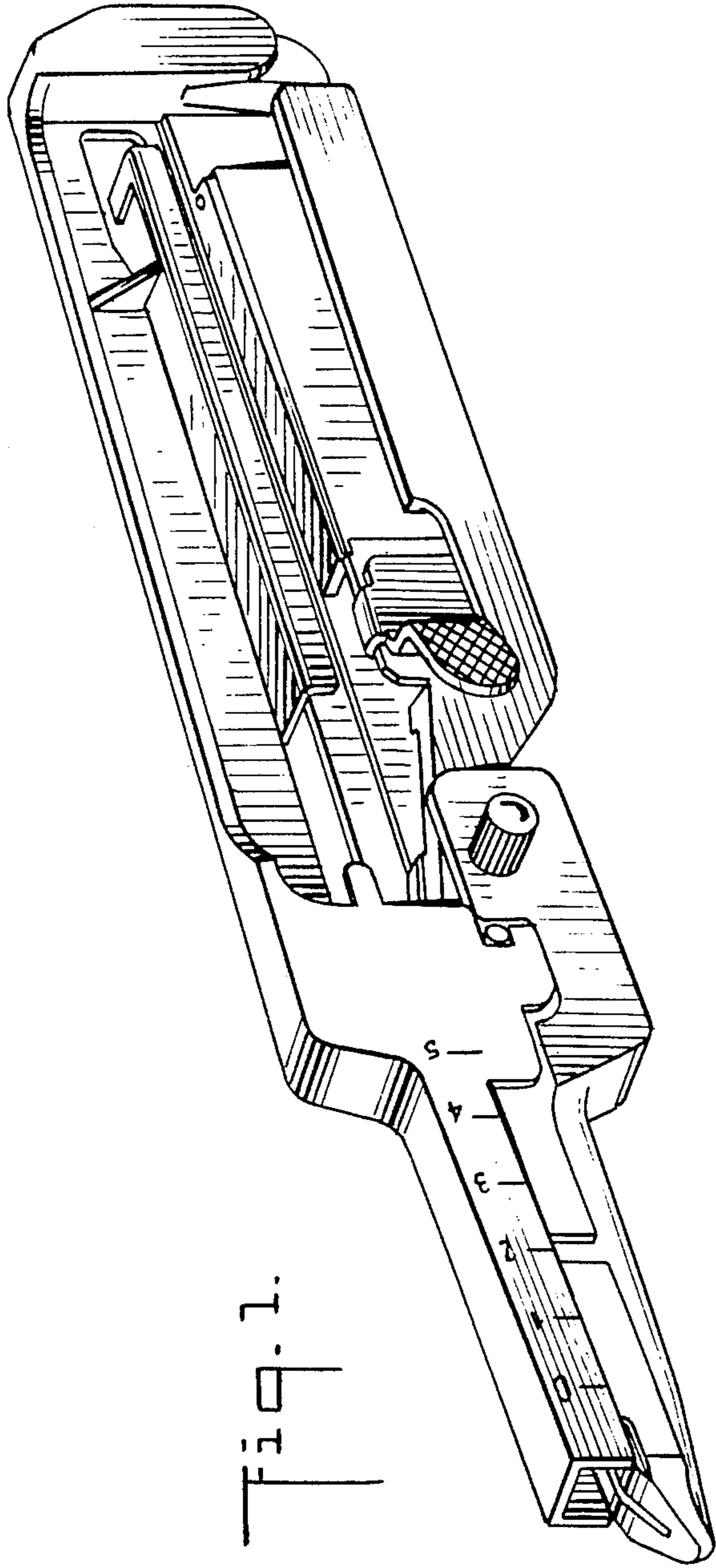


Fig. 1.

Fig. 4.

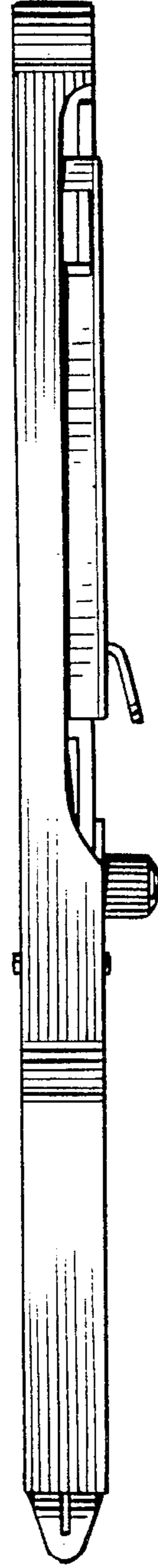


Fig. 5.

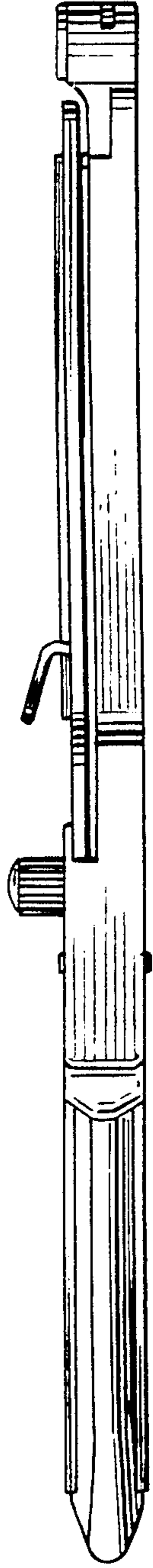


Fig. 2.

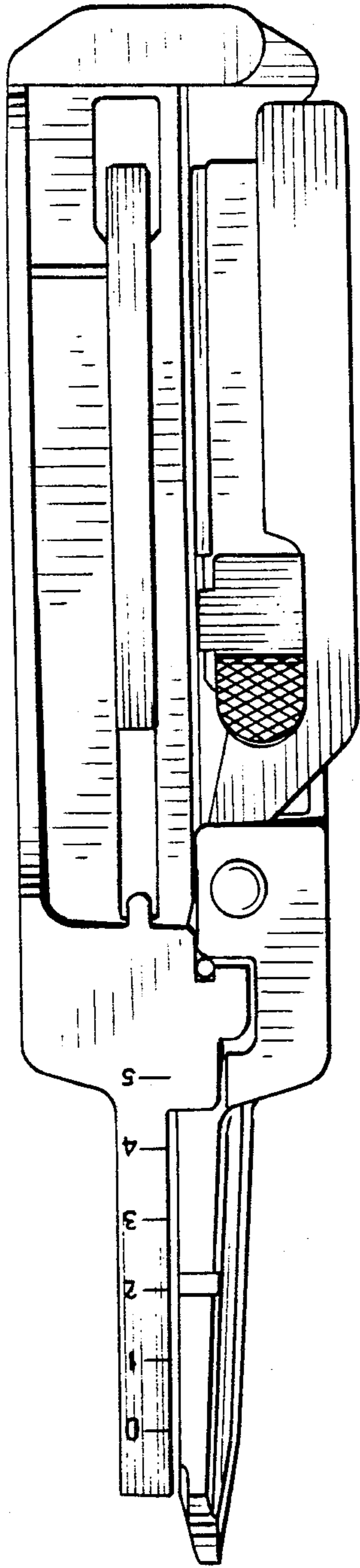


Fig. 3.

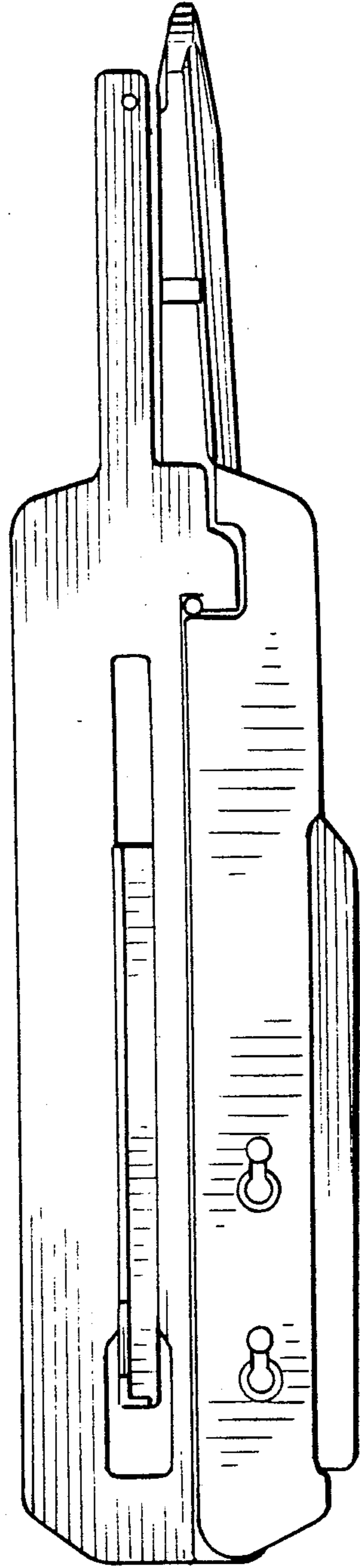


Fig. 6.

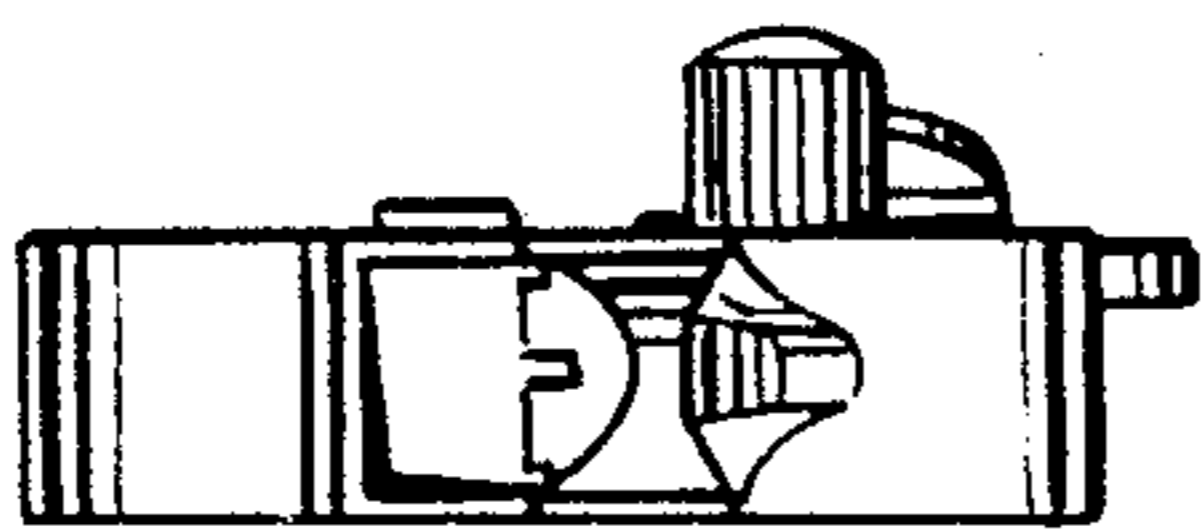


Fig. 7.

