

[54] TOY TOW TRUCK

D. 211,808 7/1968 Genin D21/139

[76] Inventor: John Dorelli, 841 Williams St., Calumet City, Ill. 60409

Primary Examiner—Charles A. Rademaker
Attorney, Agent, or Firm—Sabin C. Bronson

[**] Term: 14 Years

[57] CLAIM

[21] Appl. No.: 595,579

The ornamental design for a toy tow truck, as shown and described.

[22] Filed: Apr. 2, 1984

DESCRIPTION

[52] U.S. Cl. D21/139

[58] Field of Search D21/128, 134, 139, 140; 446/451, 452, 465, 470, 425, 426, 427

FIG. 1 is a perspective view of a toy tow truck showing my new design;

FIG. 2 is a top plan view thereof;

FIG. 3 is a front elevational view thereof;

FIG. 4 is a side elevational view thereof, the side opposite being substantially a mirror image;

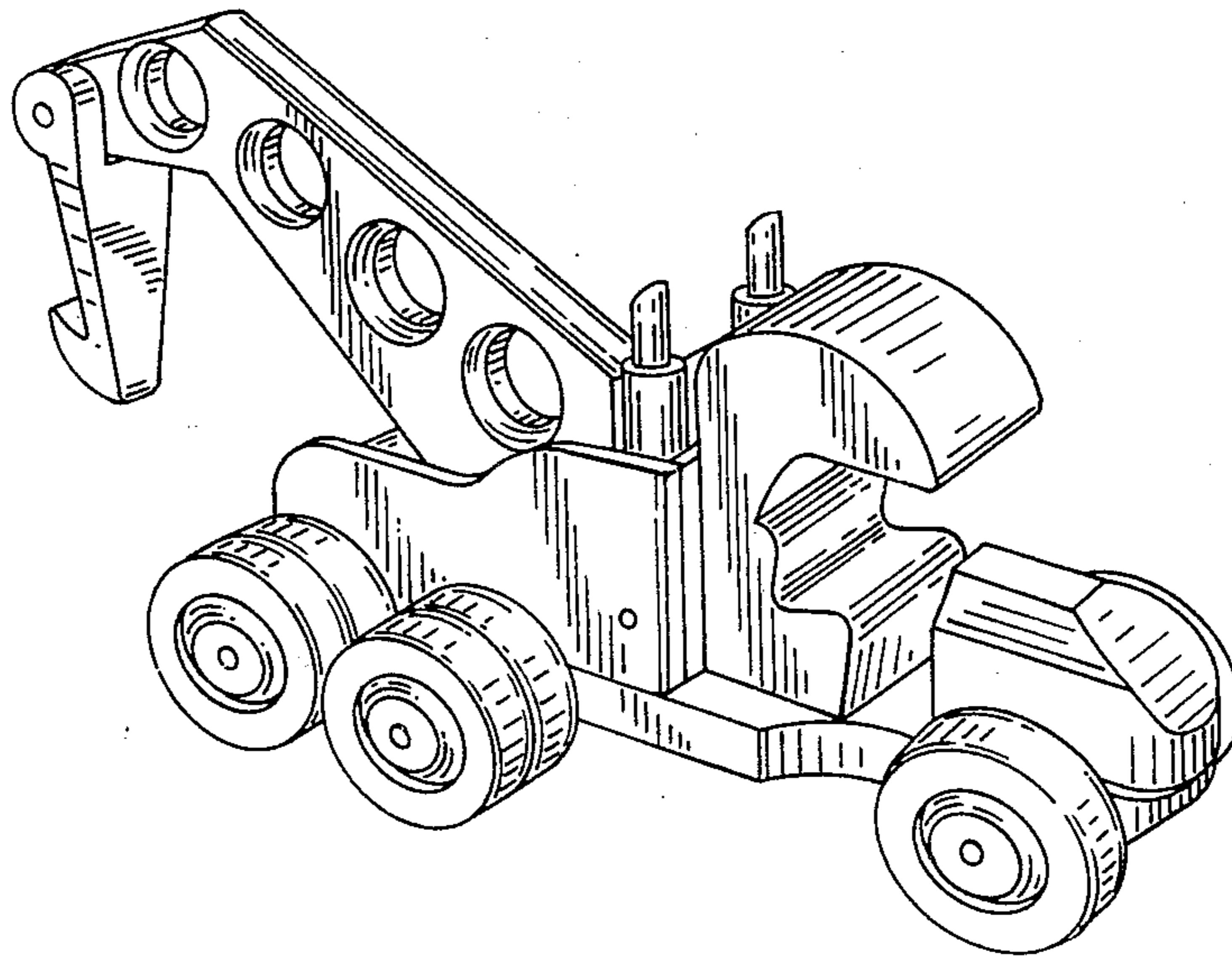
FIG. 5 is a rear elevational view thereof; and,

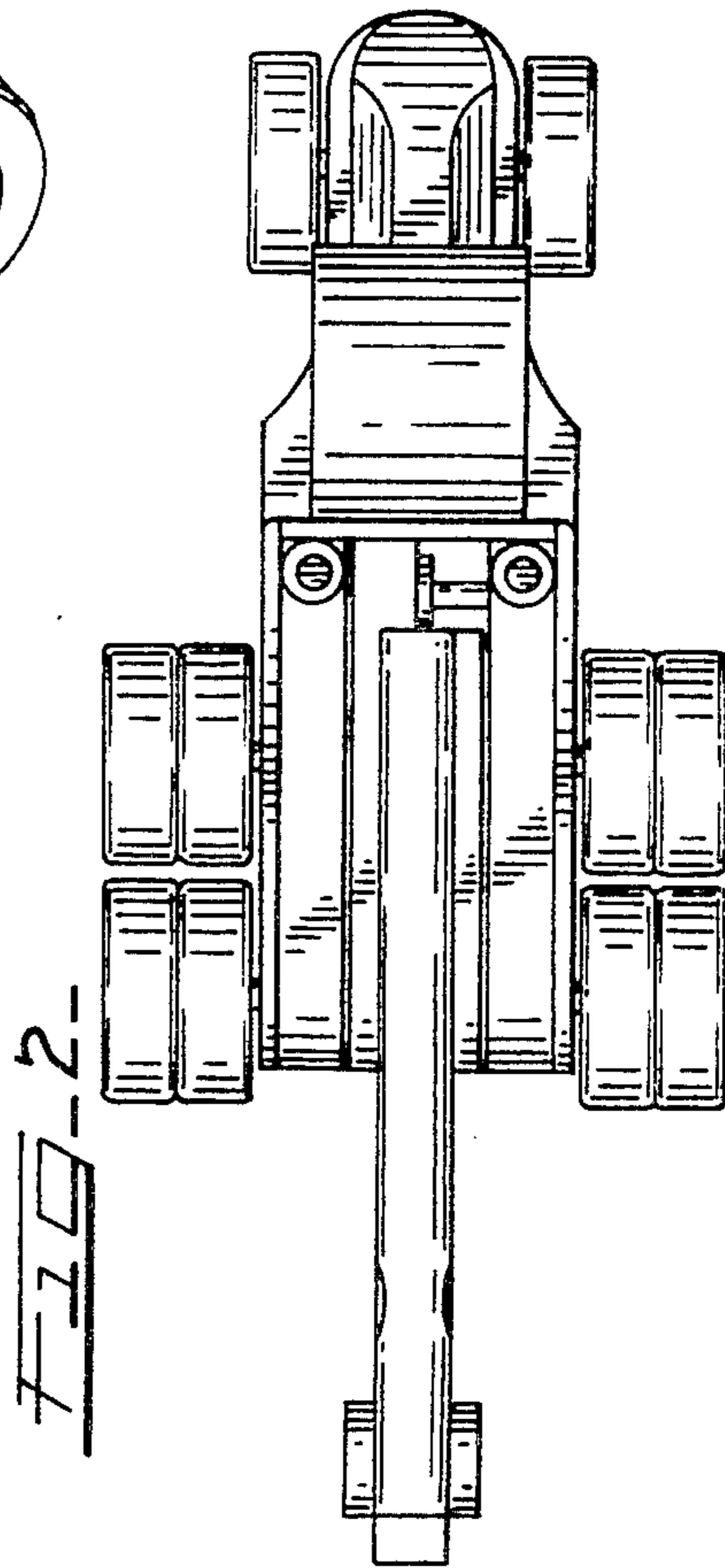
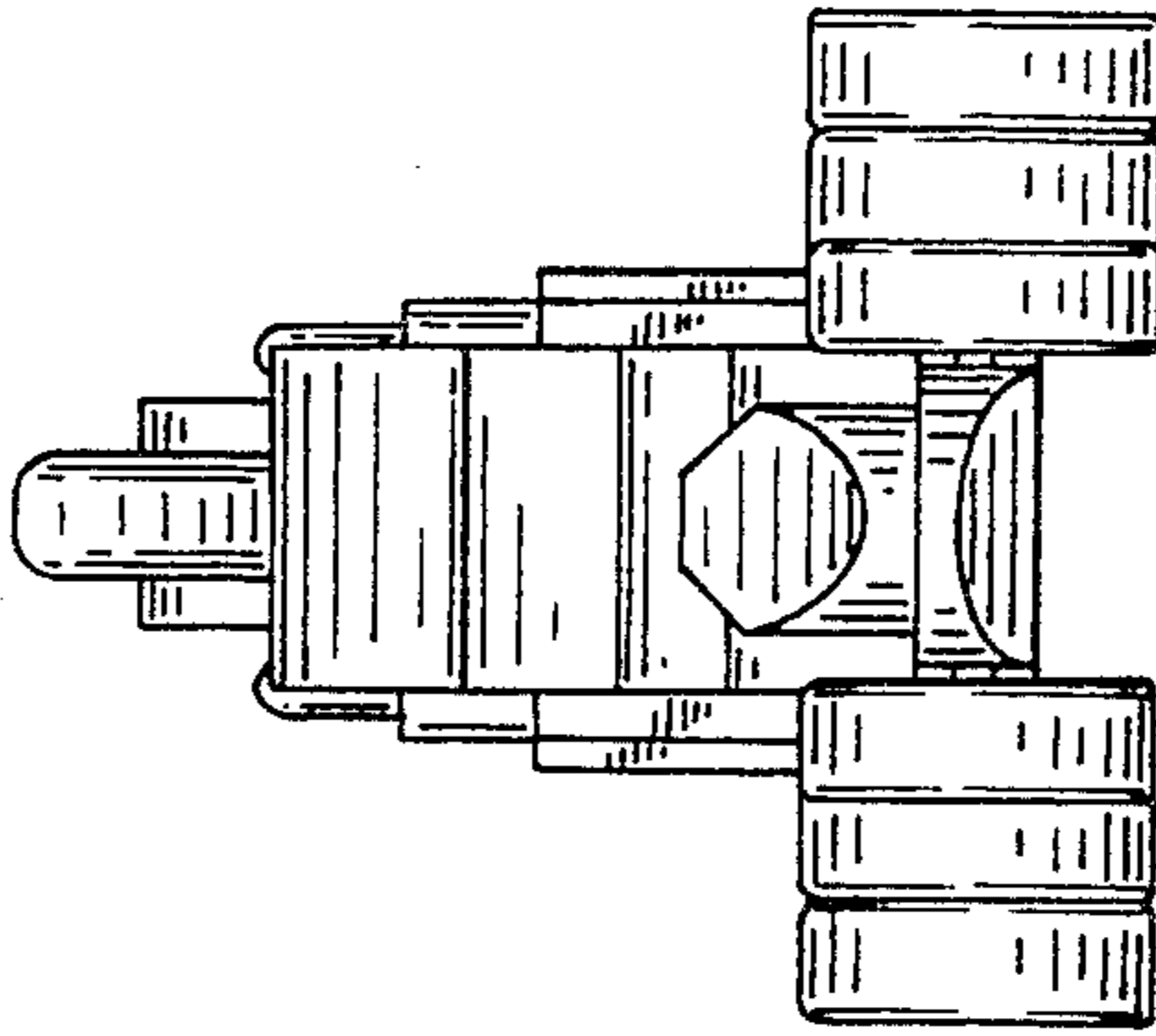
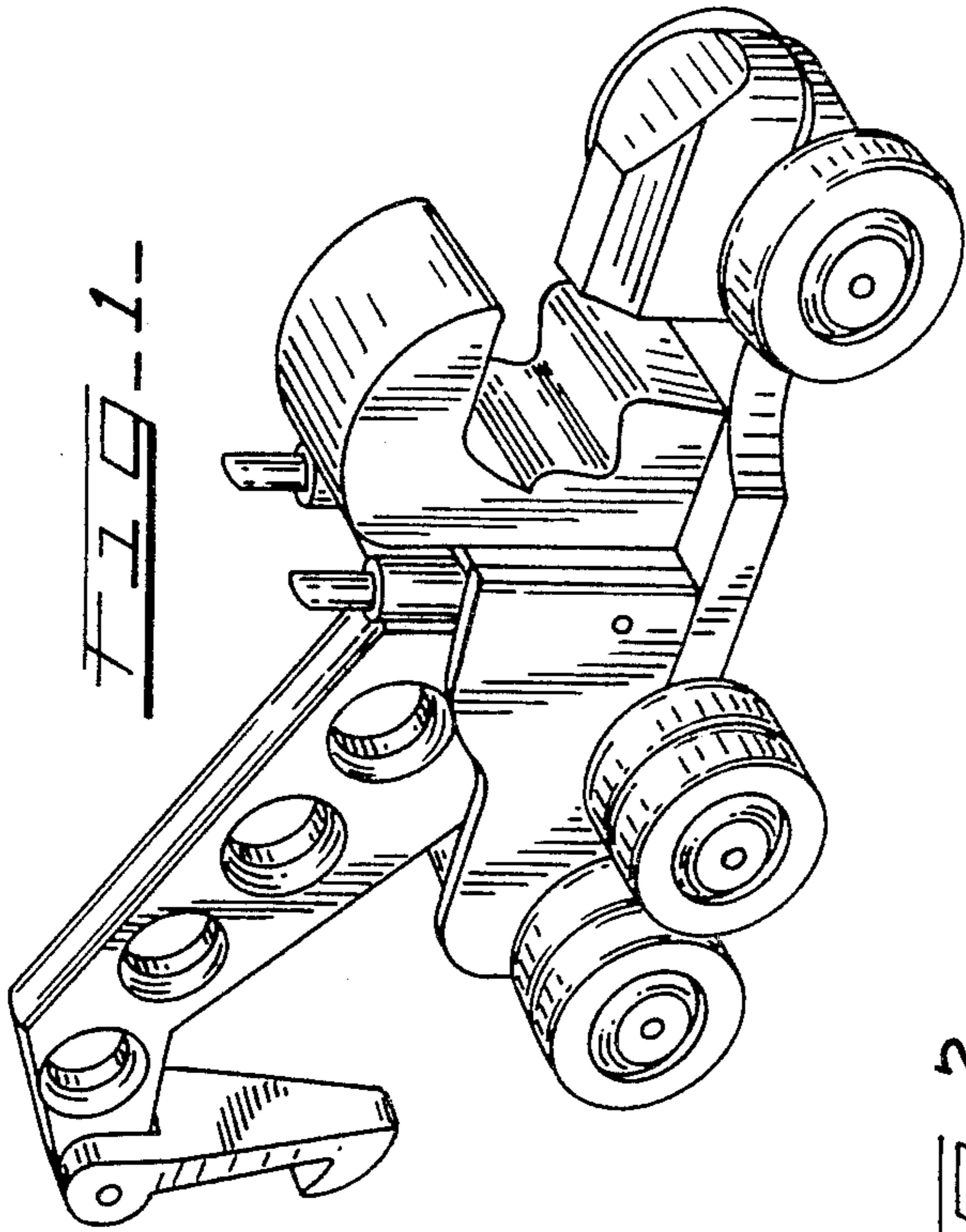
FIG. 6 is a top plan view thereof.

[56] References Cited

U.S. PATENT DOCUMENTS

- D. 192,171 2/1962 Alvaney D21/139
- D. 203,400 1/1966 Kirkpatrick D21/137





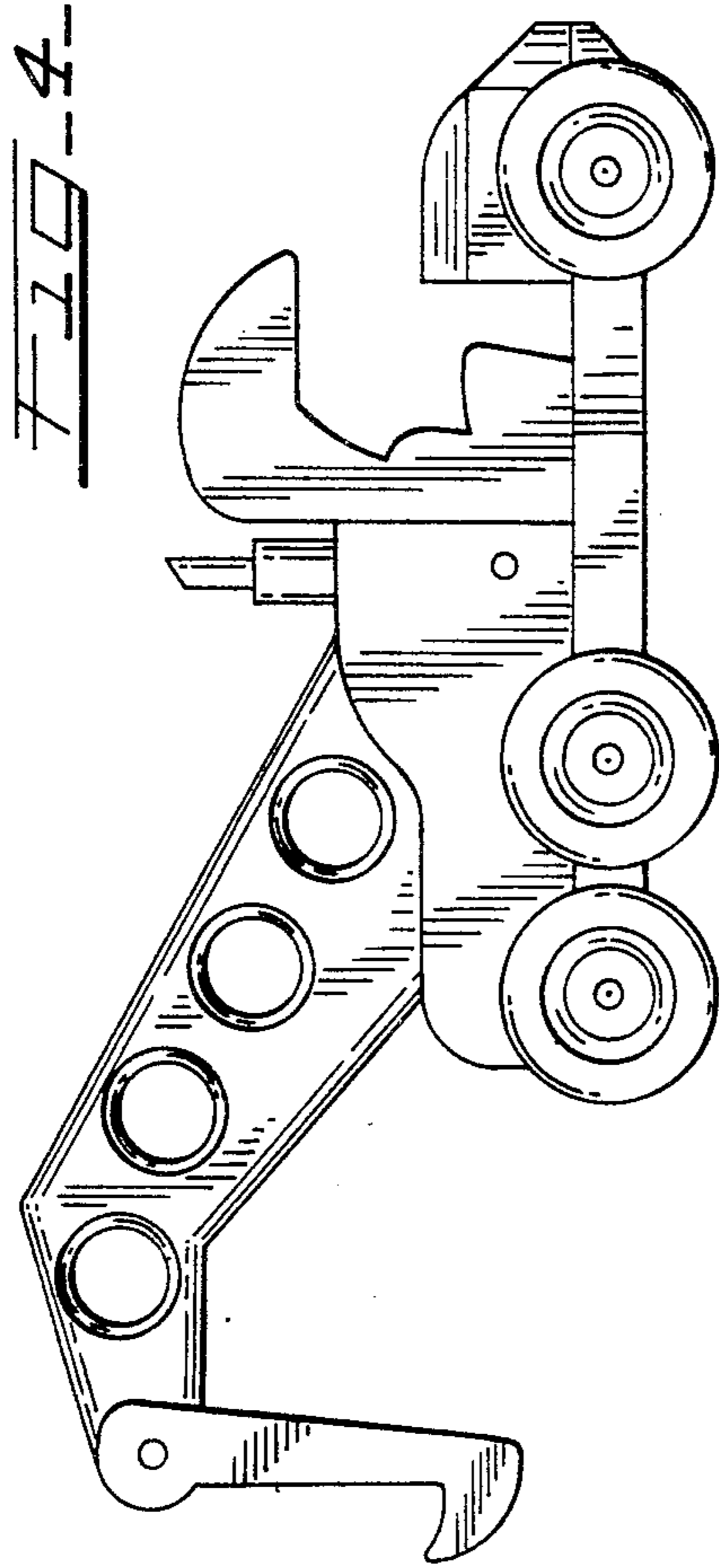


FIG-5-

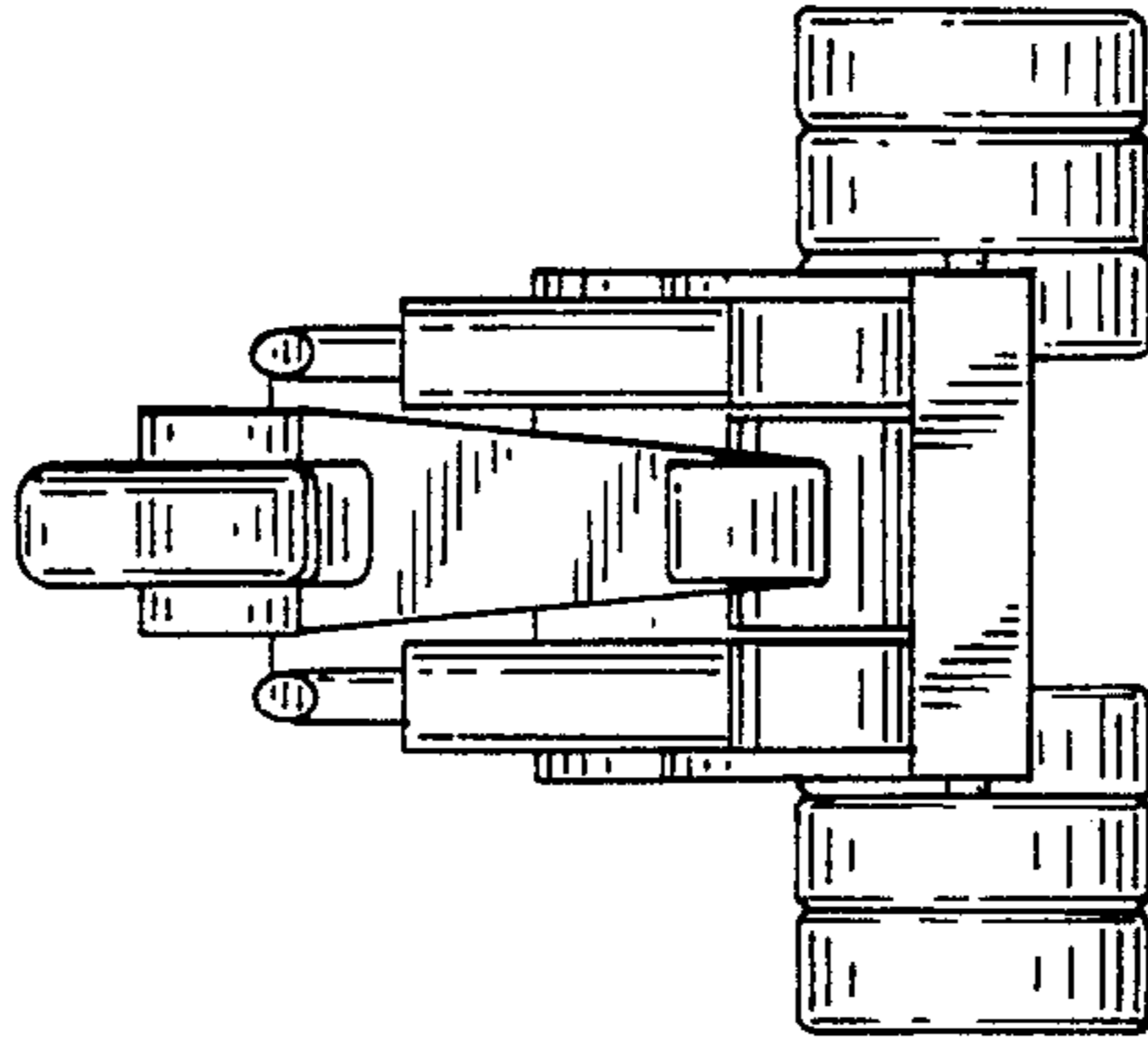


FIG-6-

