

[54] TOY TRICYCLE

[76] Inventor: Ta-Lung Wang, 1st Fl., No. 27, La. 432, Wu-Hsing St., Taipei, Taiwan

[**] Term: 14 Years.

[21] Appl. No.: 579,071

[22] Filed: Feb. 10, 1984

[52] U.S. Cl. D21/128; D12/112; D21/80

[58] Field of Search D21/59, 109, 128, 80; D12/112; 280/87.02 R, 1.1 R, 1.11 R; 446/440

[56] References Cited

U.S. PATENT DOCUMENTS

- D. 56,415 10/1920 Case D21/71
- D. 150,732 8/1948 Schilling D21/80
- D. 206,127 11/1966 Cordrey D21/80
- 1,212,530 1/1917 McKnight 280/87.02 R
- 1,220,038 3/1917 White 280/87.02 R

1,403,607 1/1922 Kunst 280/87.02 R

OTHER PUBLICATIONS

Yoneya Toy Catalog 1980, p. 4 Item #2143; Toy Cycle. Toys To Grow On Catalog, p. 6, Item #841 Toy Cycle.

Primary Examiner—Charles A. Rademaker

[57] CLAIM

The ornamental design for a toy tricycle, substantially as shown and described.

DESCRIPTION

FIG. 1 is a perspective view of a toy tricycle showing my new design;

FIG. 2 is a front elevational view thereof;

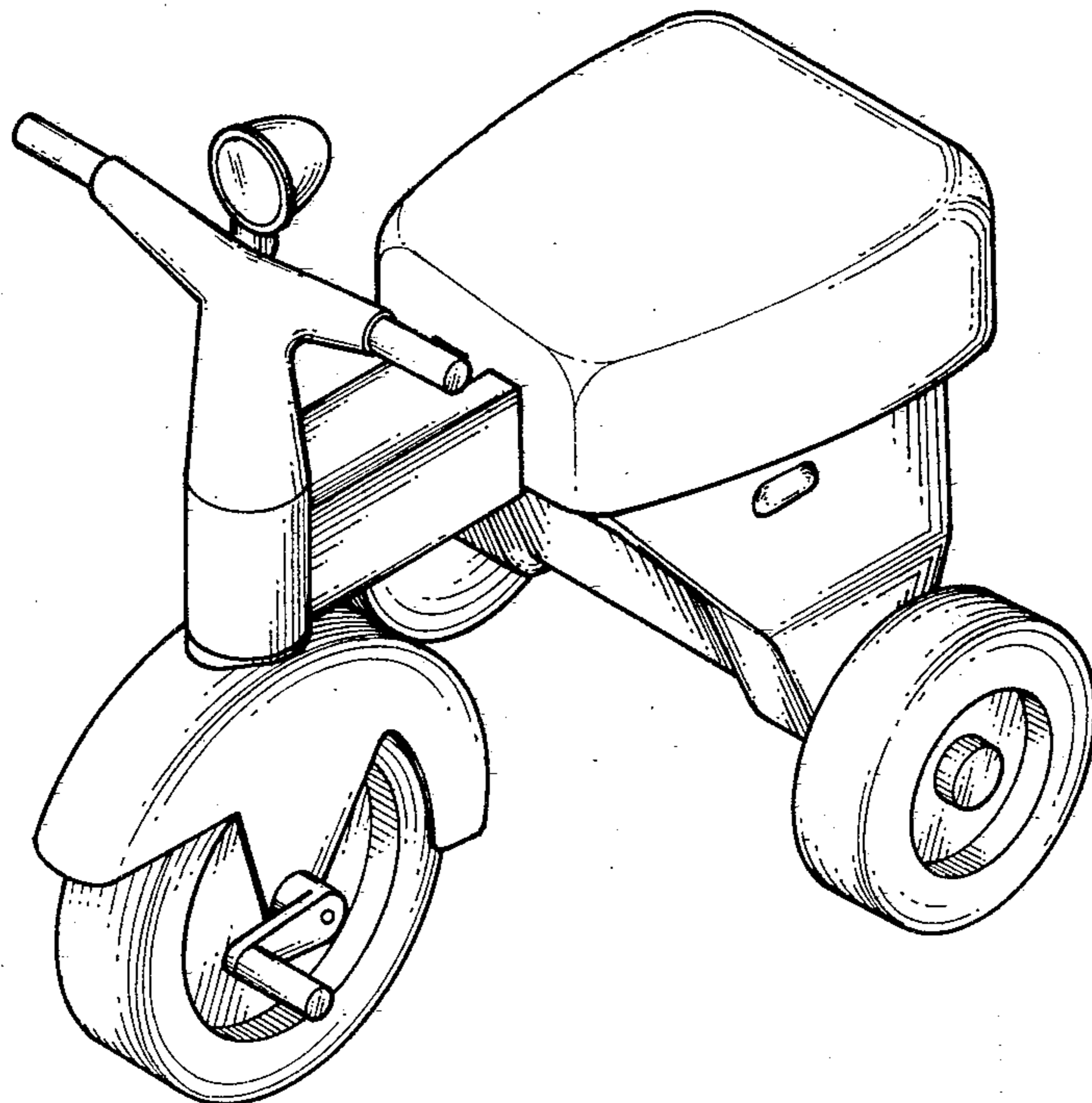
FIG. 3 is a rear elevational view thereof;

FIG. 4 is a right side elevational view thereof;

FIG. 5 is a left side elevational view thereof;

FIG. 6 is a top plan view thereof; and,

FIG. 7 is a bottom plan view thereof.



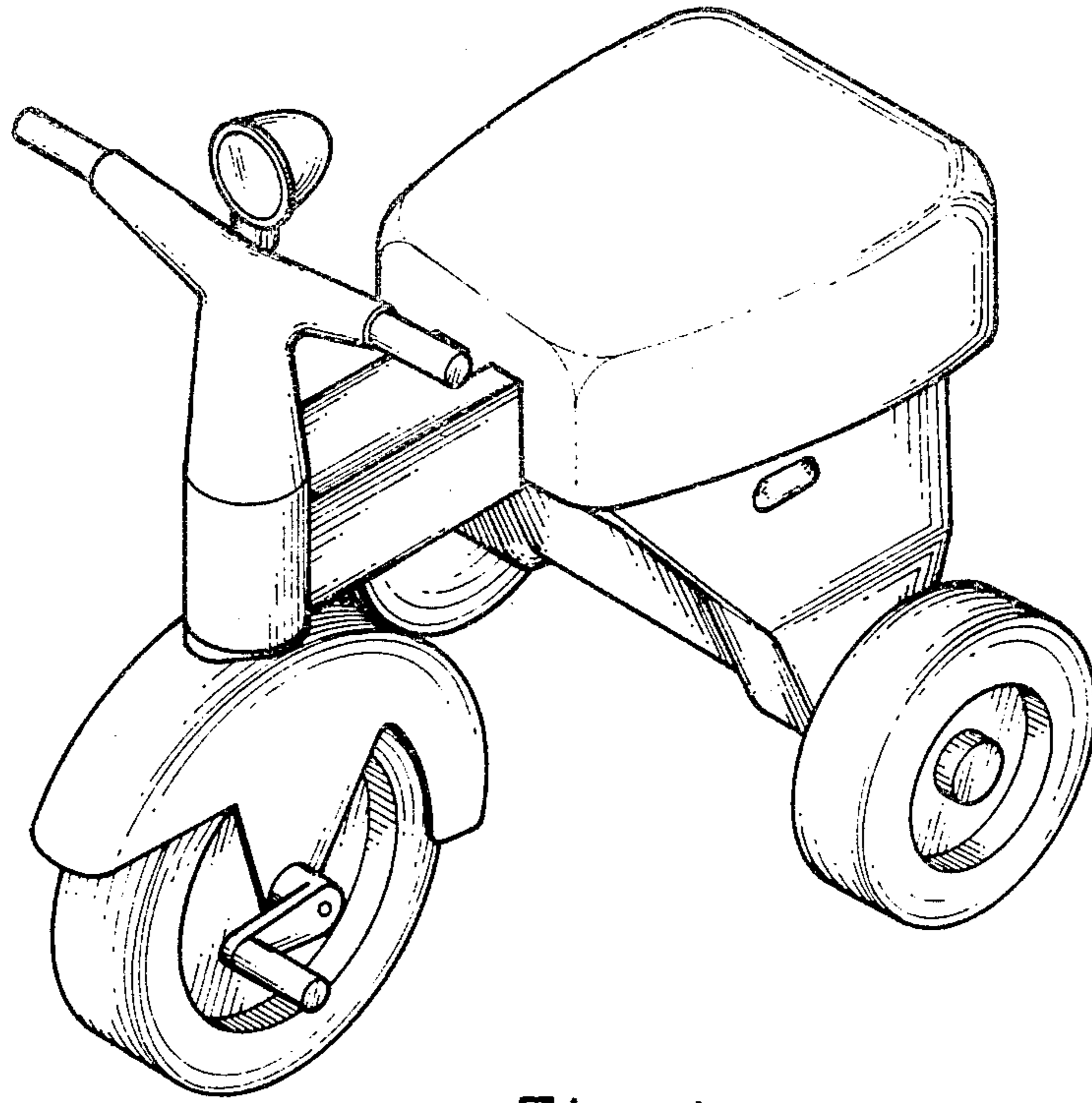


Fig. 1

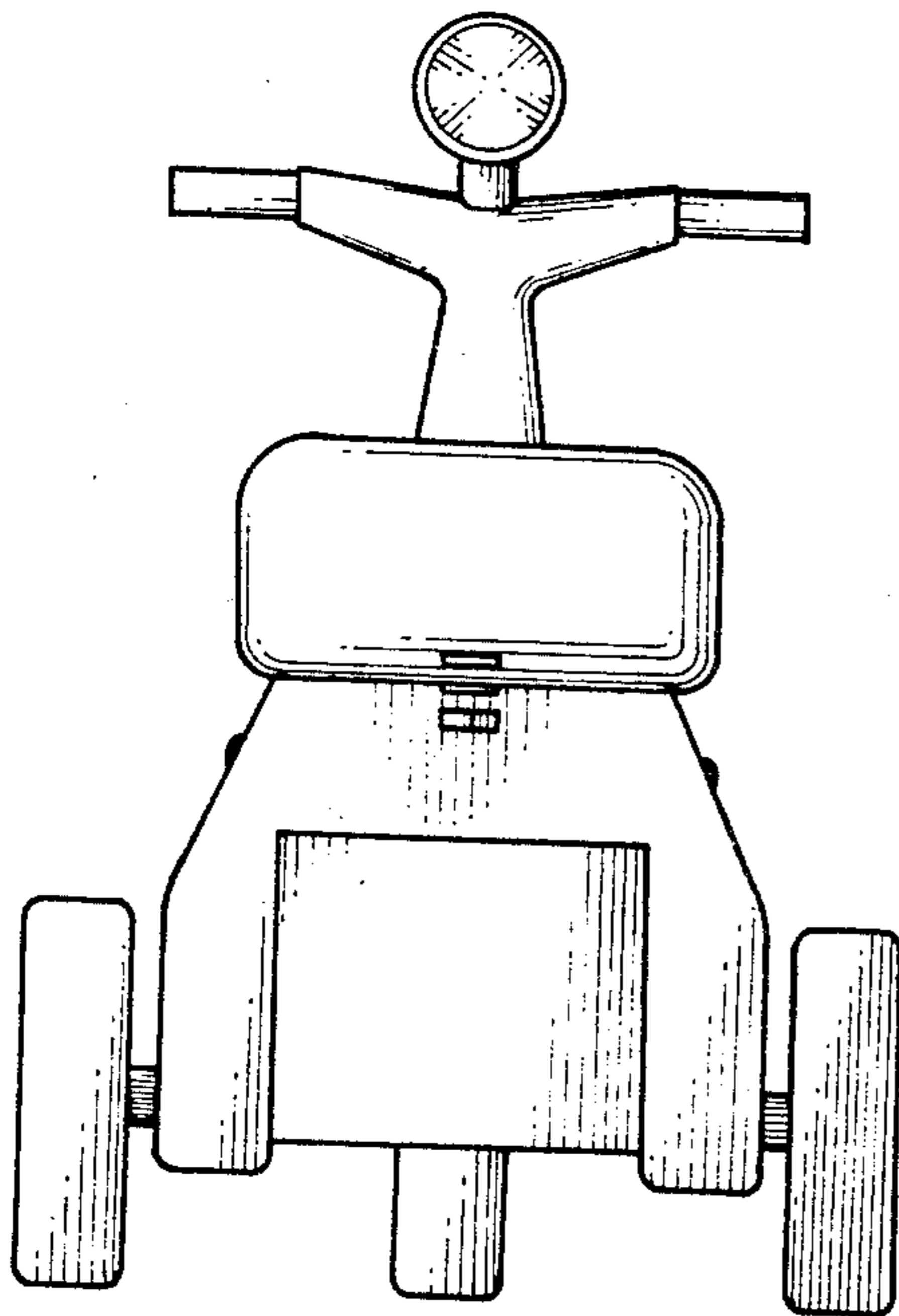


Fig. 3

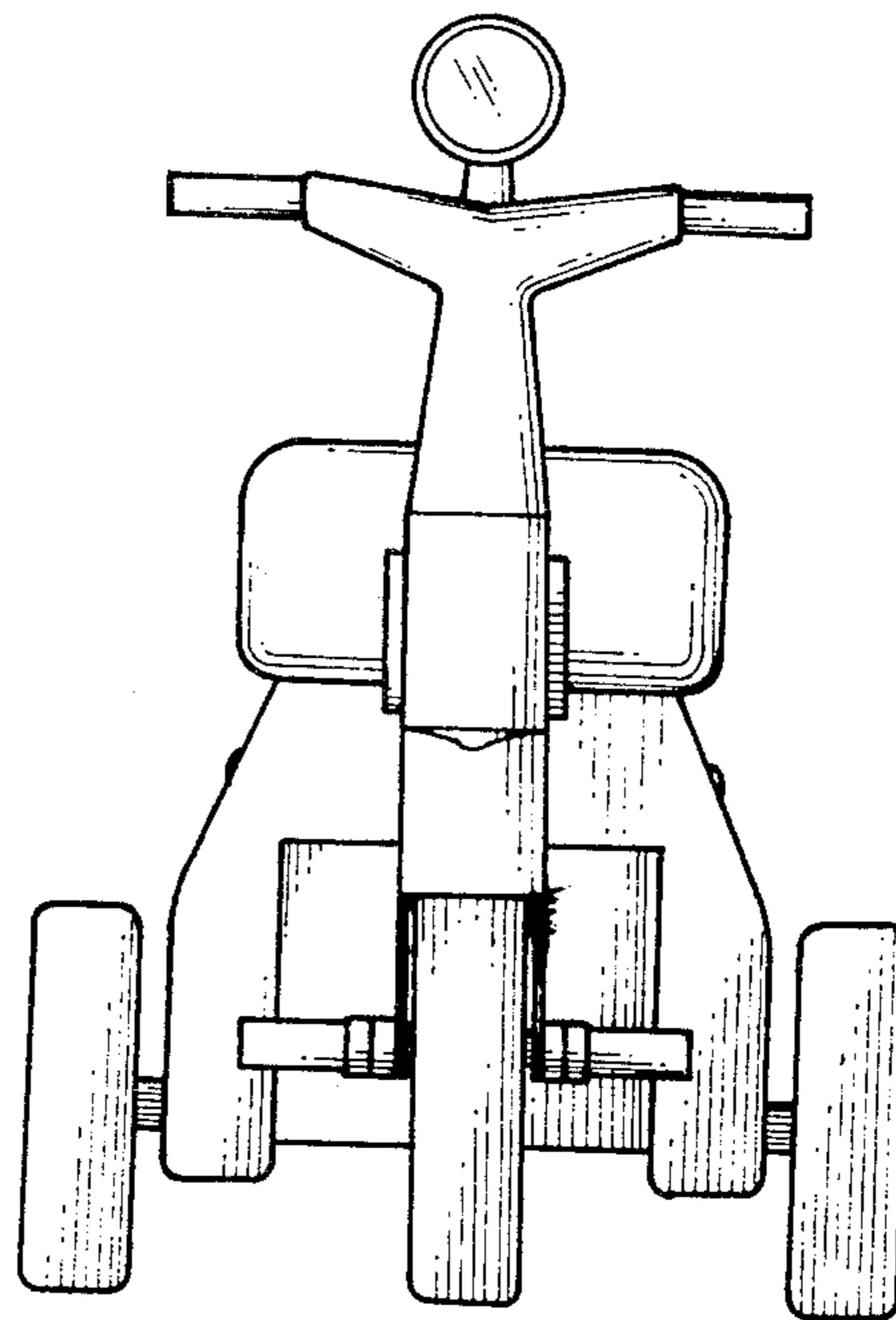


Fig. 2

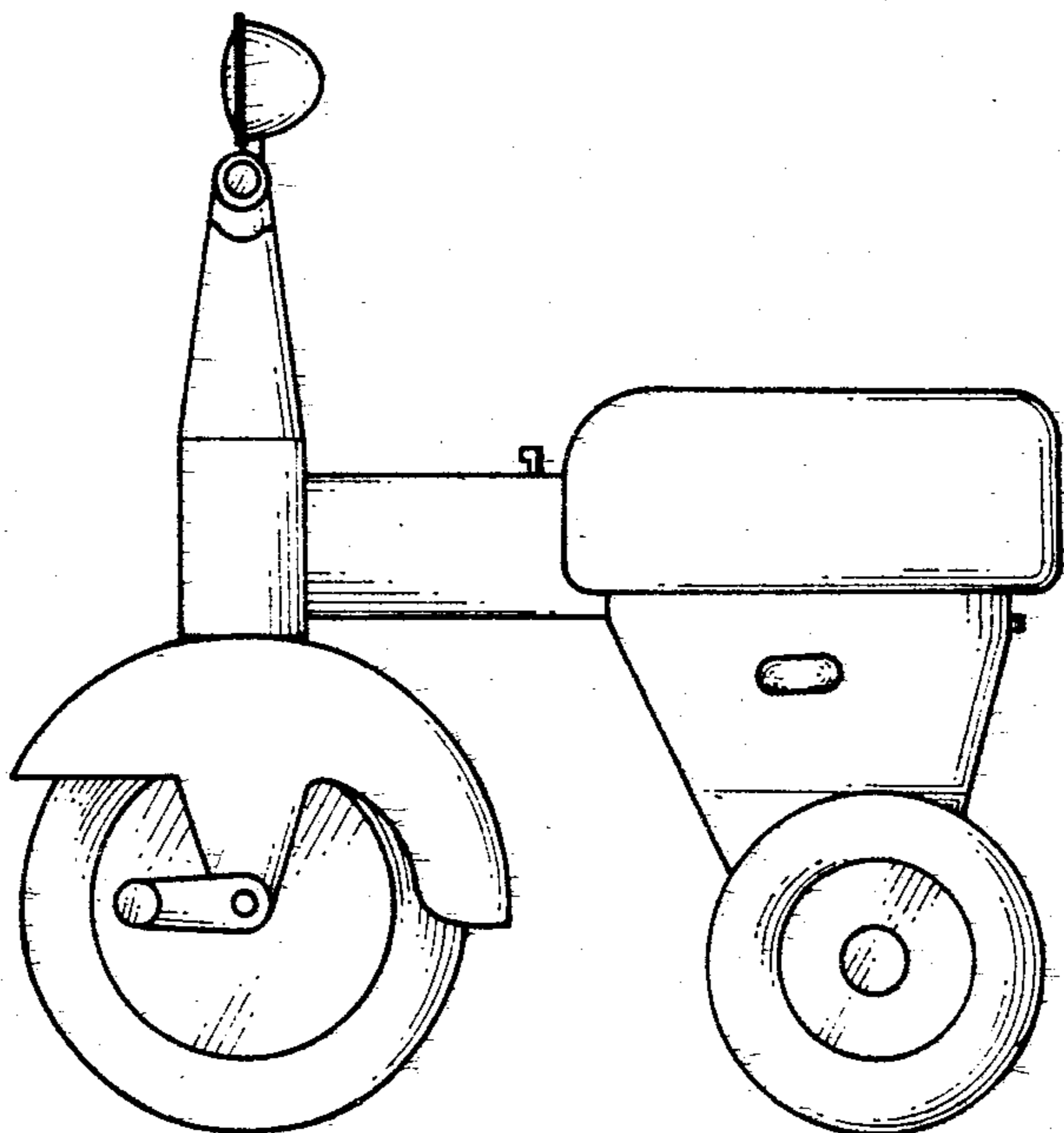


Fig. 4

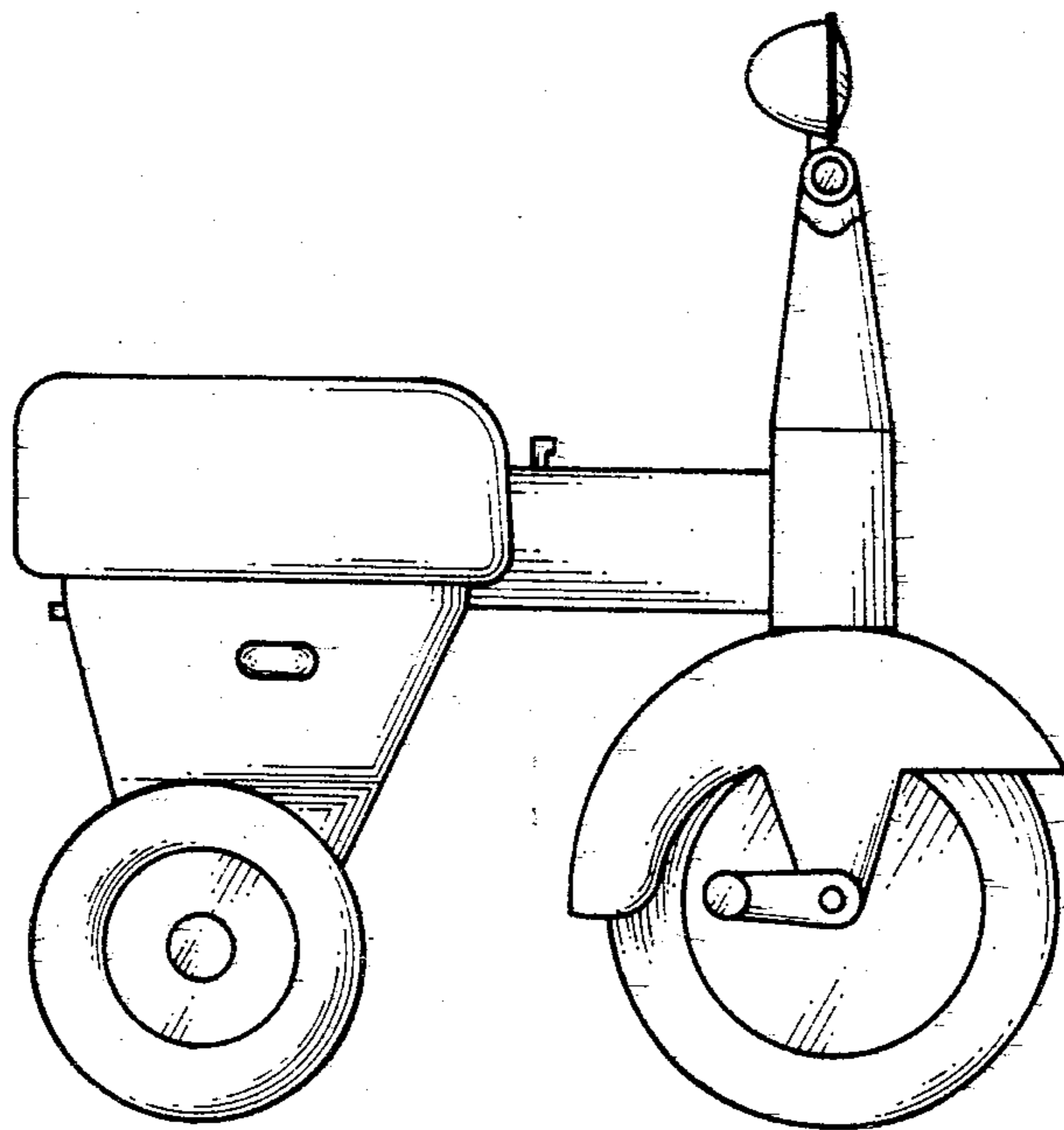


Fig. 5

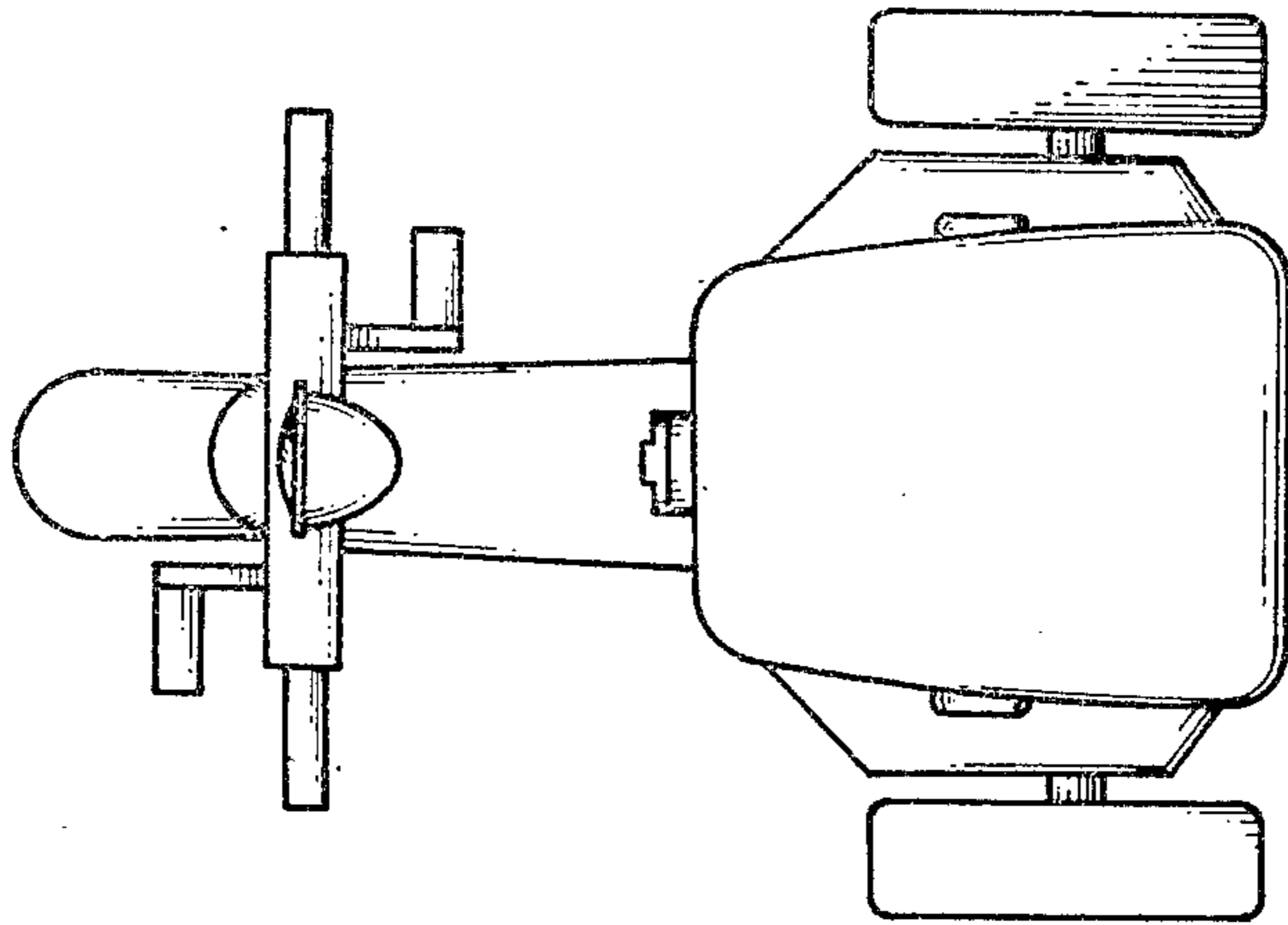


Fig. 6

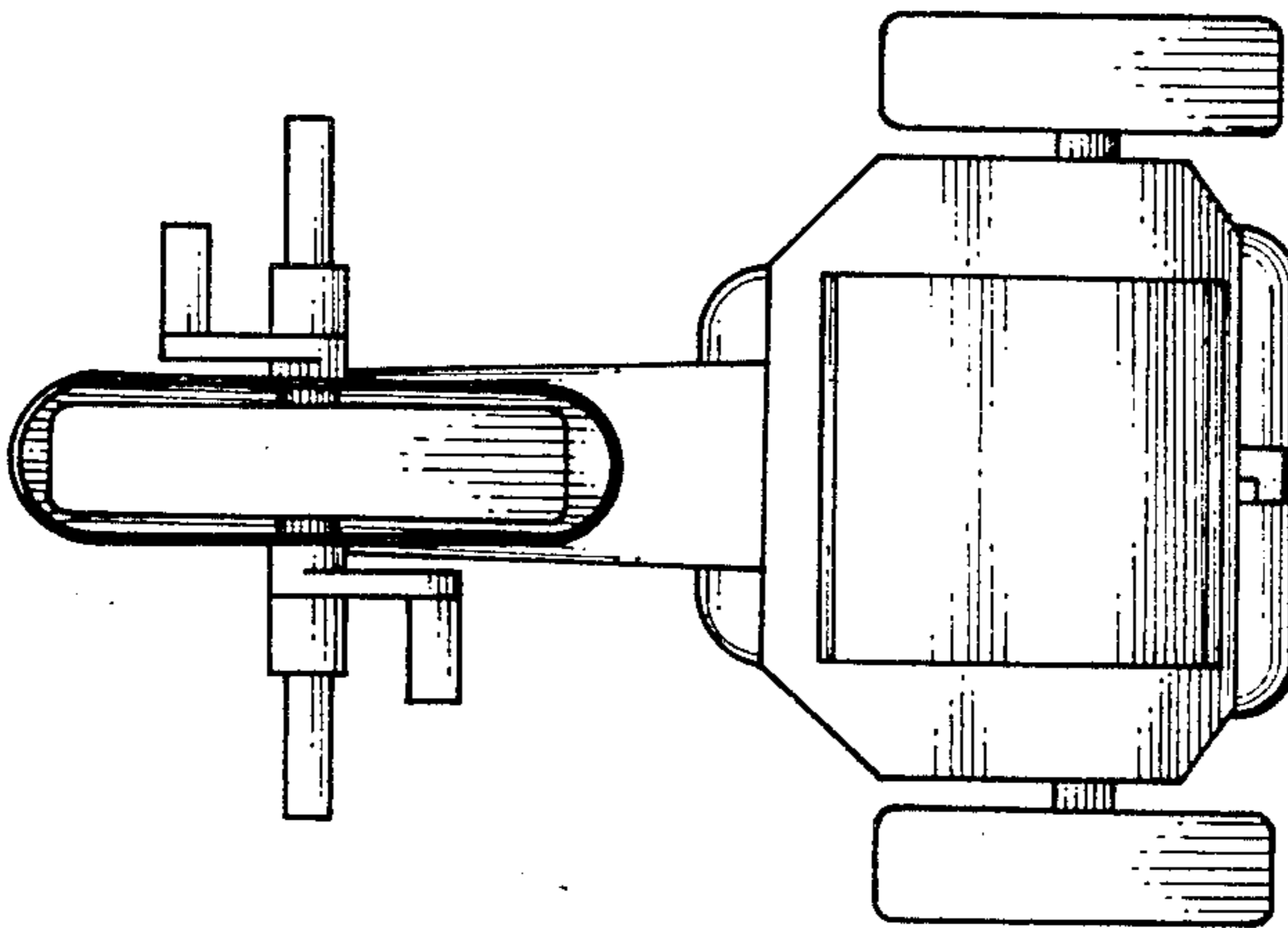


Fig. 7