

[54] EMBROIDERY MACHINE

[75] Inventor: Yoshihide Yoneda, Hirakata, Japan

[73] Assignee: Maruzen Sewing Machine Co., Ltd., Osaka, Japan

[**] Term: 14 Years

[21] Appl. No.: 748,724

[22] Filed: Jun. 25, 1985

4,386,573 6/1983 Davidson et al. 112/121.12 X
4,419,945 12/1983 Nishina 112/121.12 X

Primary Examiner—Bernard Ansher
Assistant Examiner—Linda Titolo
Attorney, Agent, or Firm—Lowe Price LeBlanc Becker & Shur

[57] CLAIM

The ornamental design for an embroidery machine, as shown and described.

Related U.S. Application Data

[62] Division of Ser. No. 506,972, Jun. 23, 1983.

[30] Foreign Application Priority Data

Feb. 14, 1983 [JP] Japan 58-5476
Feb. 15, 1983 [JP] Japan 58-5750

[52] U.S. Cl. D15/69

[58] Field of Search D15/72, 78; 38/102.2, 38/102.6; 112/121.12, 121.11

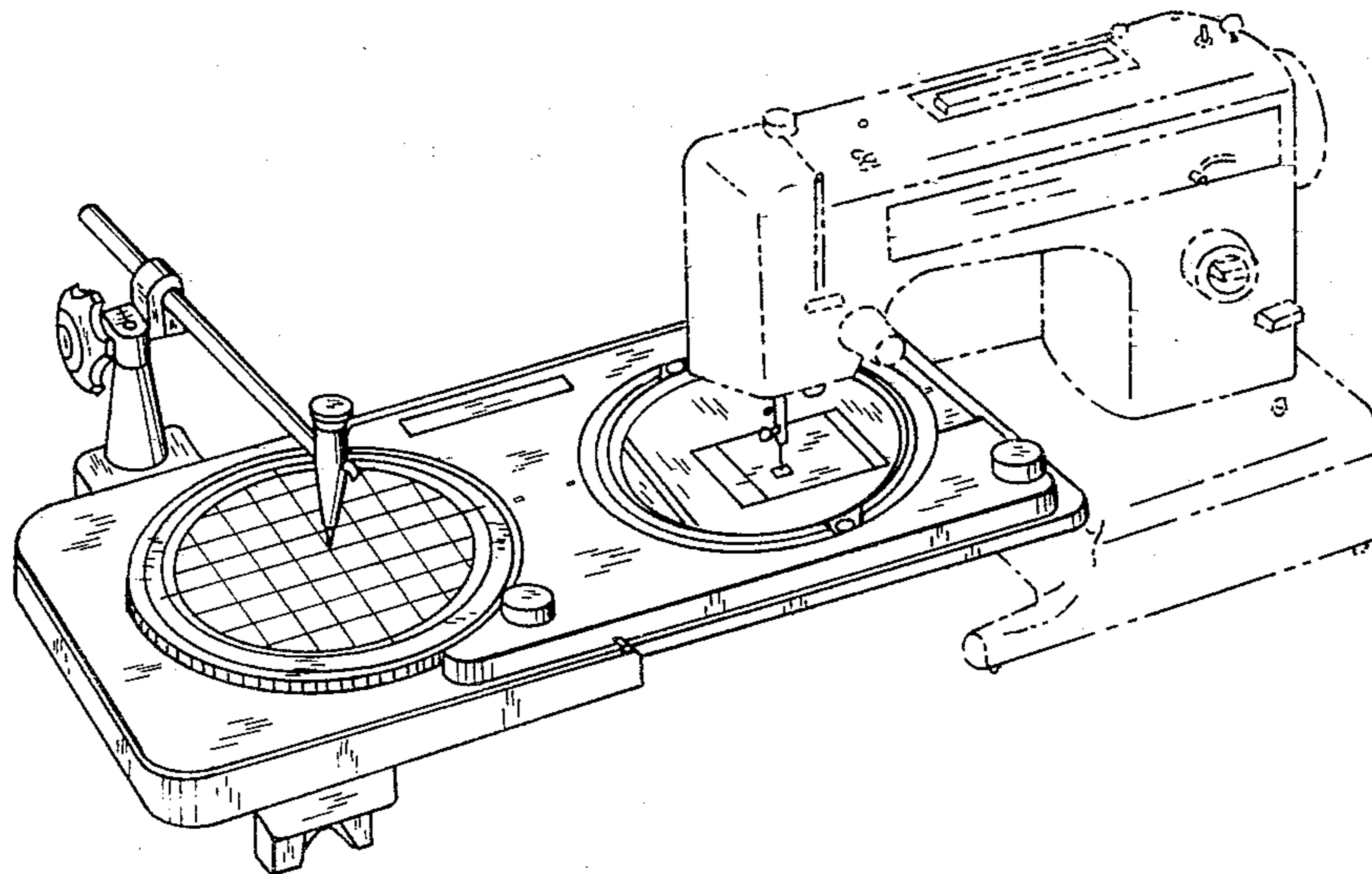
[56] References Cited

U.S. PATENT DOCUMENTS

2,345,104 3/1944 Dittrich 112/121.12
2,684,041 7/1954 Tice 112/121.12
4,195,581 4/1980 Ohara 112/121.12 X
4,280,420 7/1981 Nishida et al. 112/121.12 X
4,325,315 4/1982 Totino et al. 112/121.11 X

DESCRIPTION

FIG. 1 is a top plan view of an embroidery machine showing my new design;
FIG. 2 is a bottom plan view thereof;
FIG. 3 is a front elevational view thereof;
FIG. 4 is a rear elevational view thereof;
FIG. 5 is a left side elevational view thereof;
FIG. 6 is a right side elevational view thereof;
FIG. 7 is a top front perspective view thereof, with the movable frame of the embroidery machine shown in an alternate position;
FIG. 8 is a bottom rear perspective view thereof, with the legs of the stationary base plate shown in their retracted position; and
FIG. 9 is a top front perspective view thereof with a sewing machine shown in broken lines for illustrative purposes only.



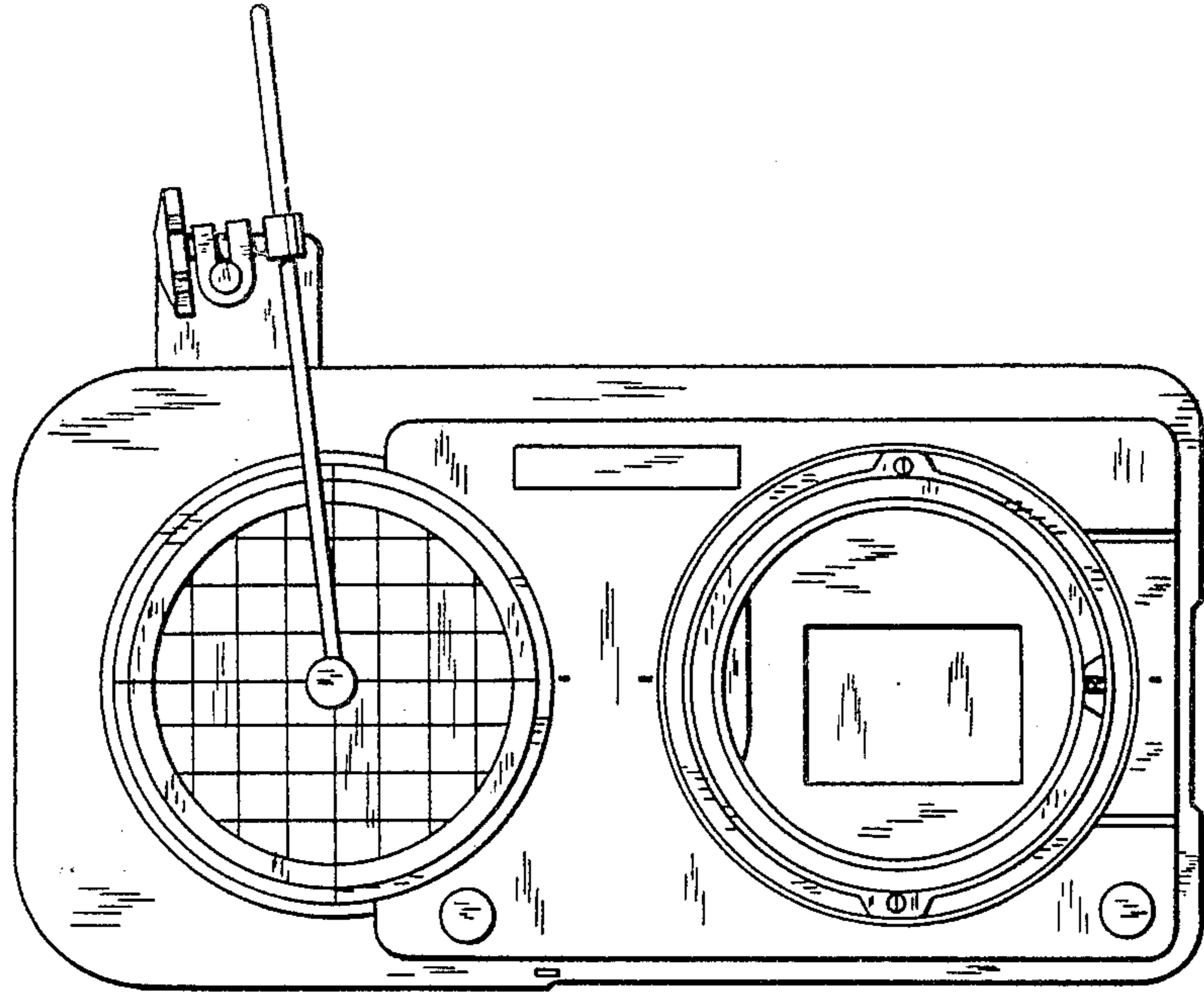


FIG. 1

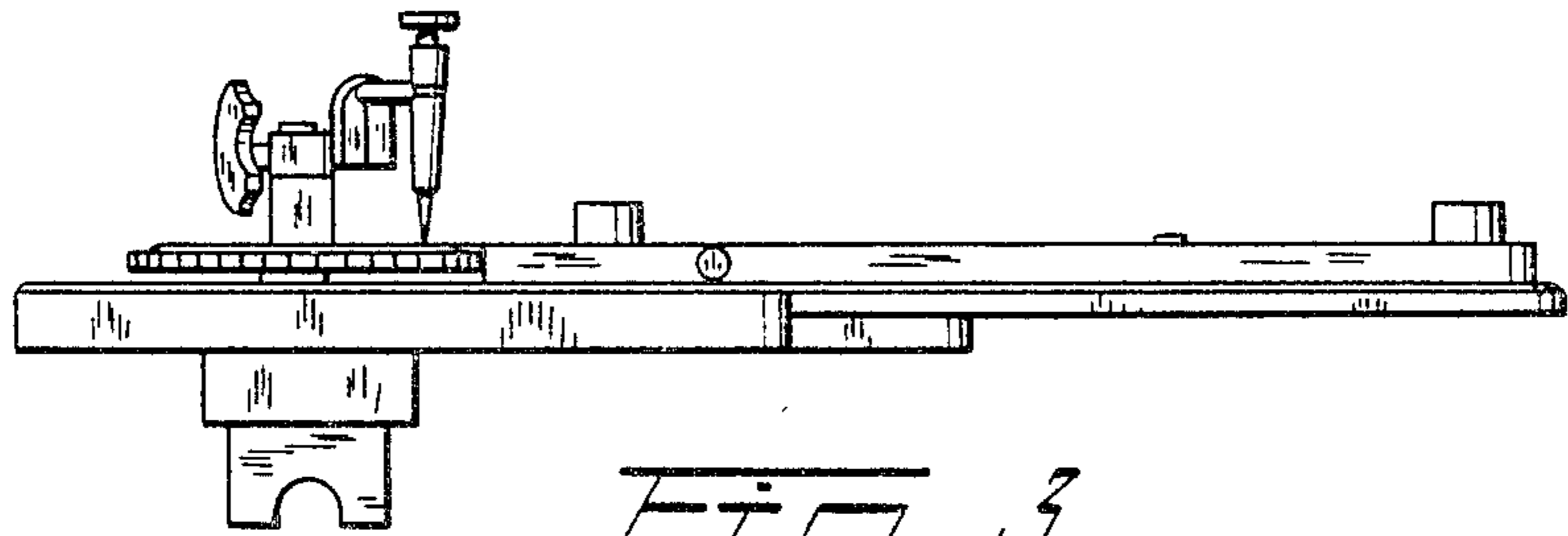


FIG. 3

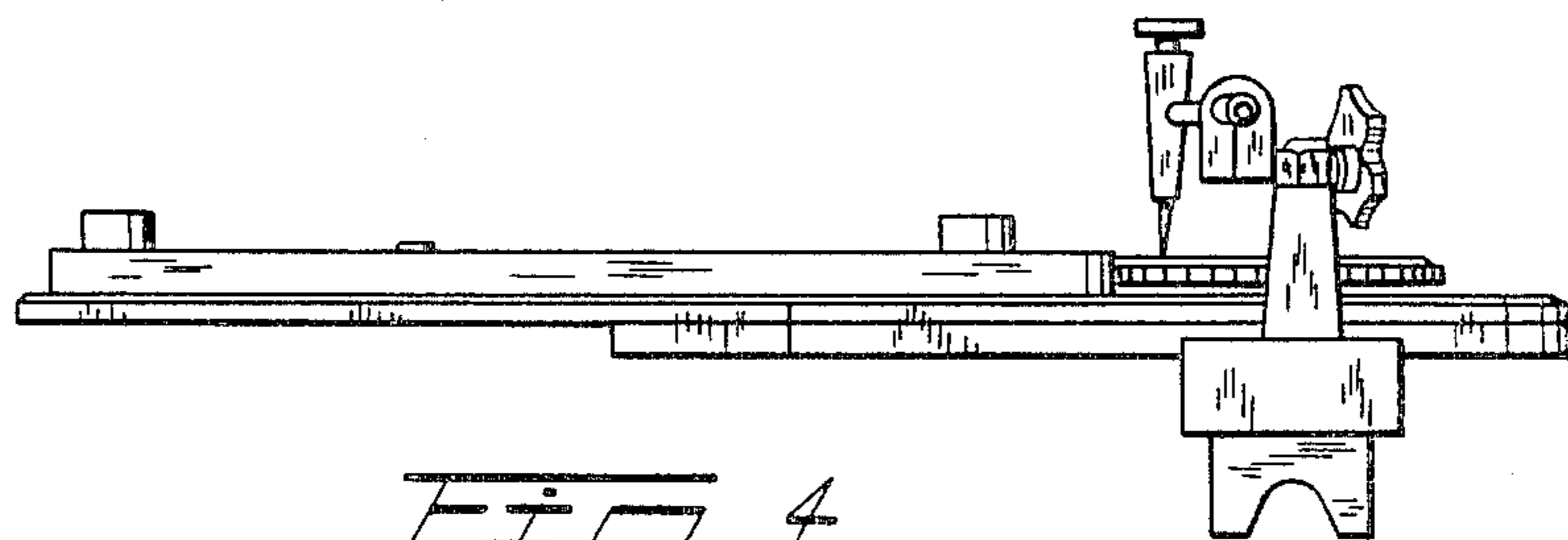


FIG. 4

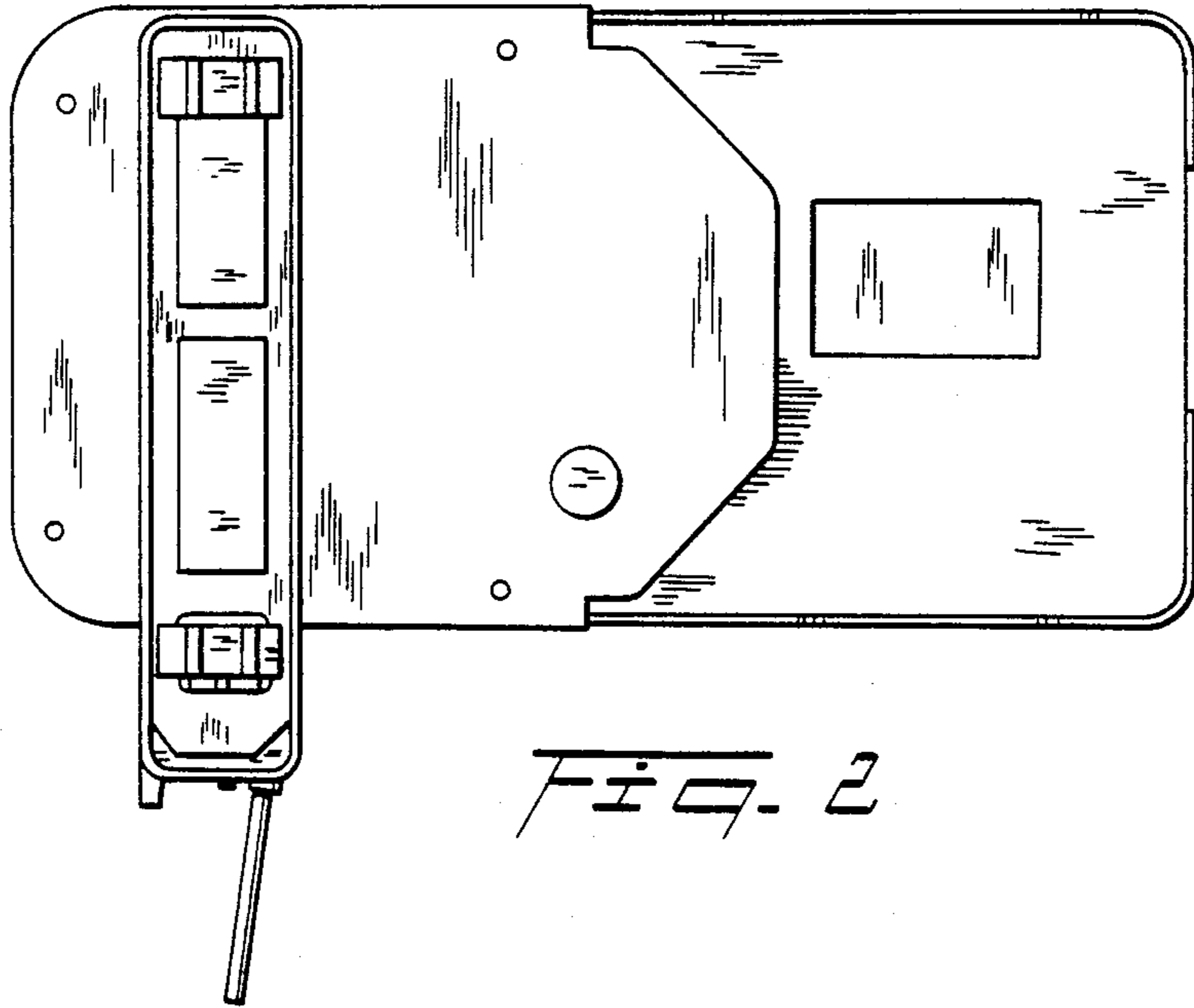


Fig. 2

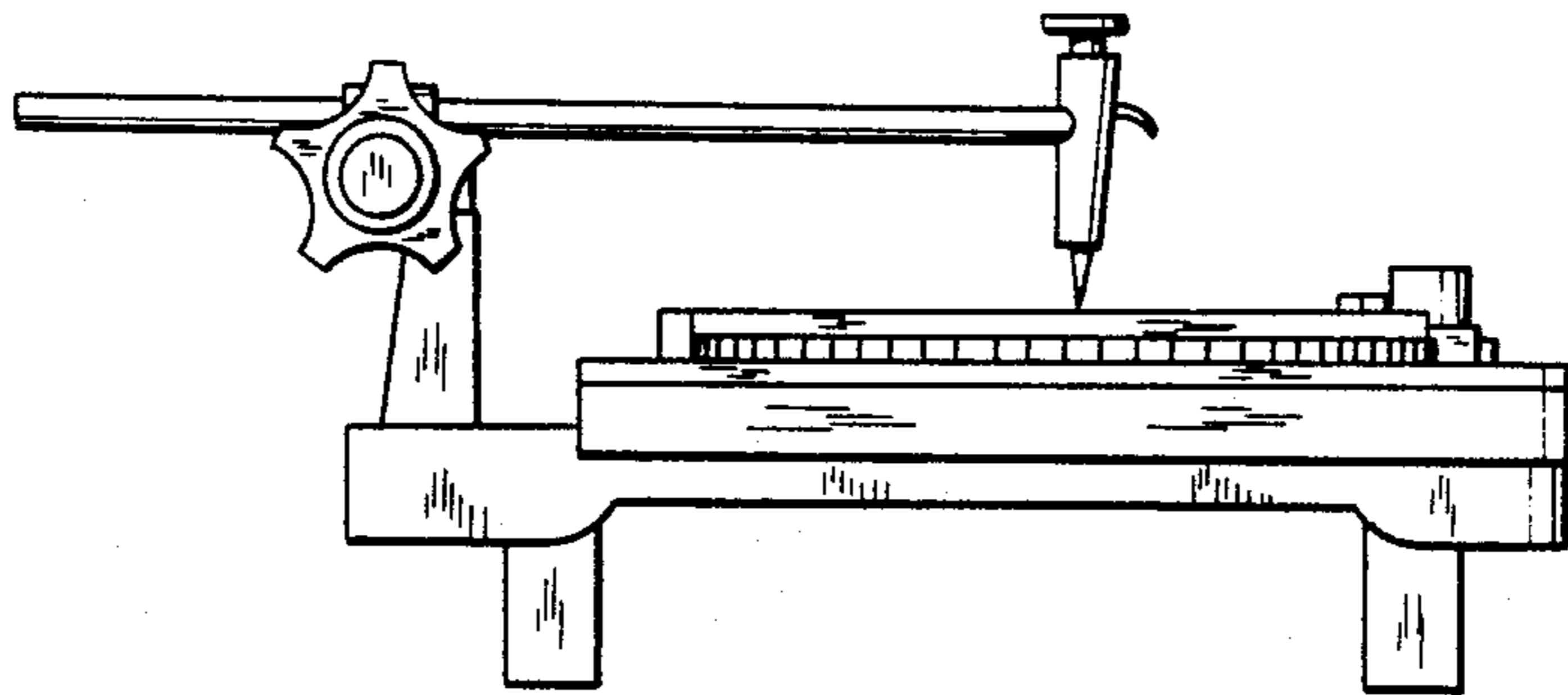


Fig. 5

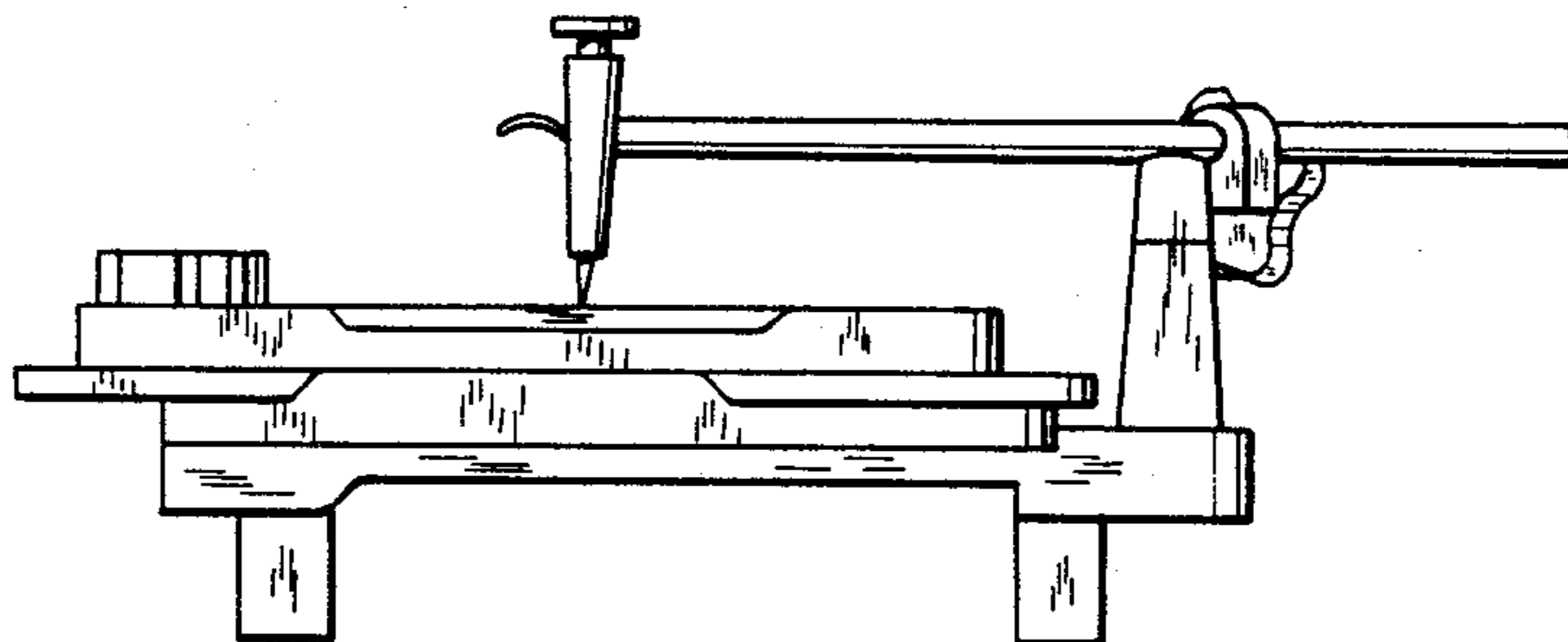


Fig. 6

