

[54] COMBINED WALK BEHIND SEEDER AND FERTILIZER

[75] Inventors: Dean A. Bliskey; Stephen K. Lambert, both of Greenville; Thomas Kearnes, Akron, all of Ohio

[73] Assignee: Lambert Corporation, Ansonia, Ohio

[**] Term: 14 Years

[21] Appl. No.: 643,566

[22] Filed: Aug. 23, 1984

[52] U.S. Cl. D15/13

[58] Field of Search D15/10, 13; 111/71, 111/73, 80

[56] References Cited

U.S. PATENT DOCUMENTS

1,054,884	3/1913	Young	111/73
1,132,401	3/1915	Stanton	.
2,623,483	12/1952	Stevenson	.
2,742,192	4/1956	Ware	111/73
2,924,186	2/1960	Landeem	111/80
4,090,457	5/1978	Roberts	.

OTHER PUBLICATIONS

Golden Harvest Garden Seeder, Lambert Corporation Owner's Guide and Parts List, M-15751 of Mar. 1983. Precision Garden Seeder, Model 1001B of EarthWay Products, Inc., Nov. 1980.

Primary Examiner—B. J. Bullock

Assistant Examiner—Suzanne N. Gitlin

Attorney, Agent, or Firm—Biebel, French & Nauman

[57] CLAIM

The ornamental design for a combined walk behind seeder and fertilizer, substantially as shown.

DESCRIPTION

FIG. 1 is a perspective view of a combined walk behind seeder and fertilizer showing our new design; FIG. 2 is a side elevational view taken from the left of FIG. 1; FIG. 3 is a side elevational view taken from the right of FIG. 1; FIG. 4 is a front elevational view thereof; FIG. 5 is a rear elevational view thereof; FIG. 6 is a top plan view thereof.

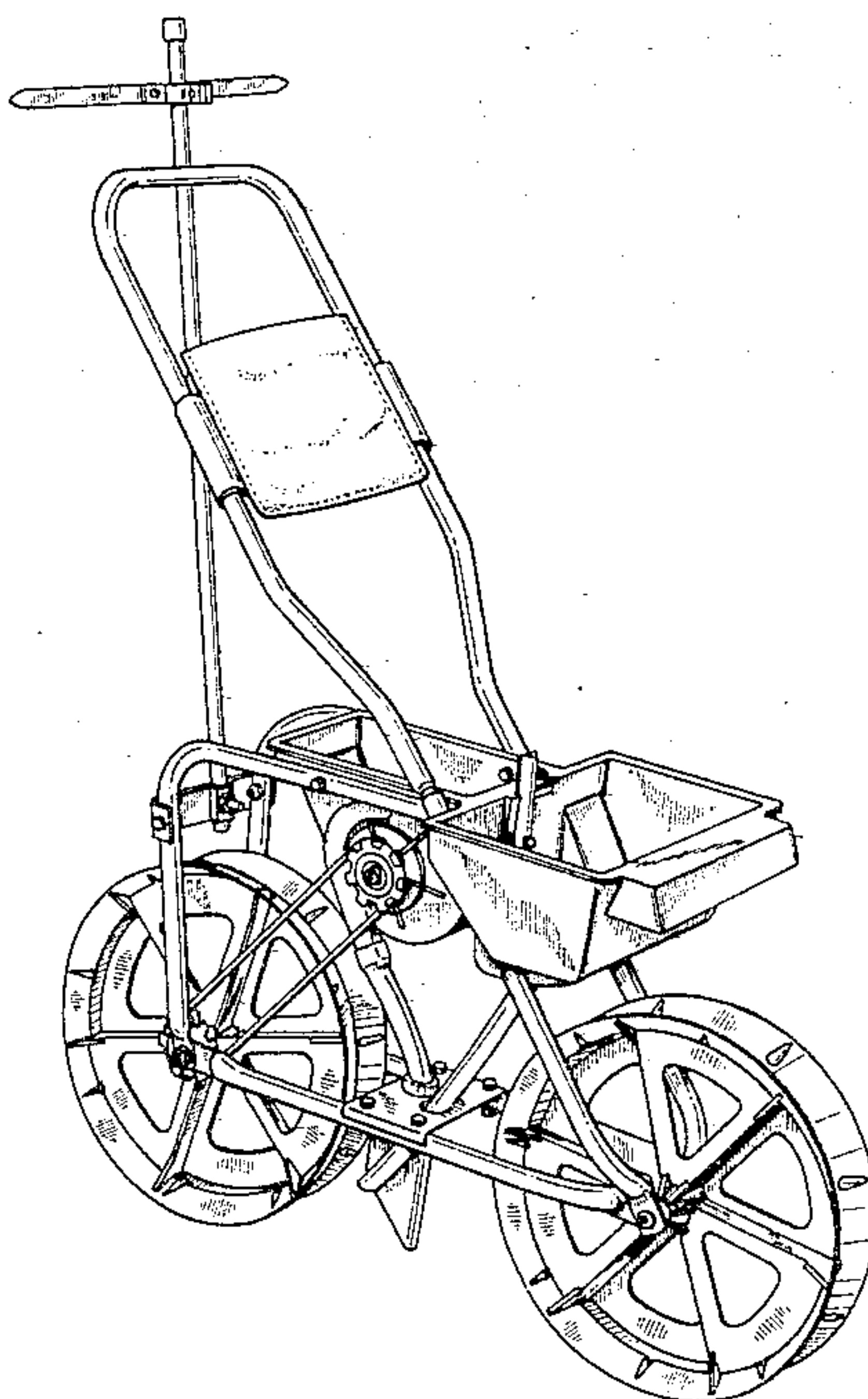


FIG-1

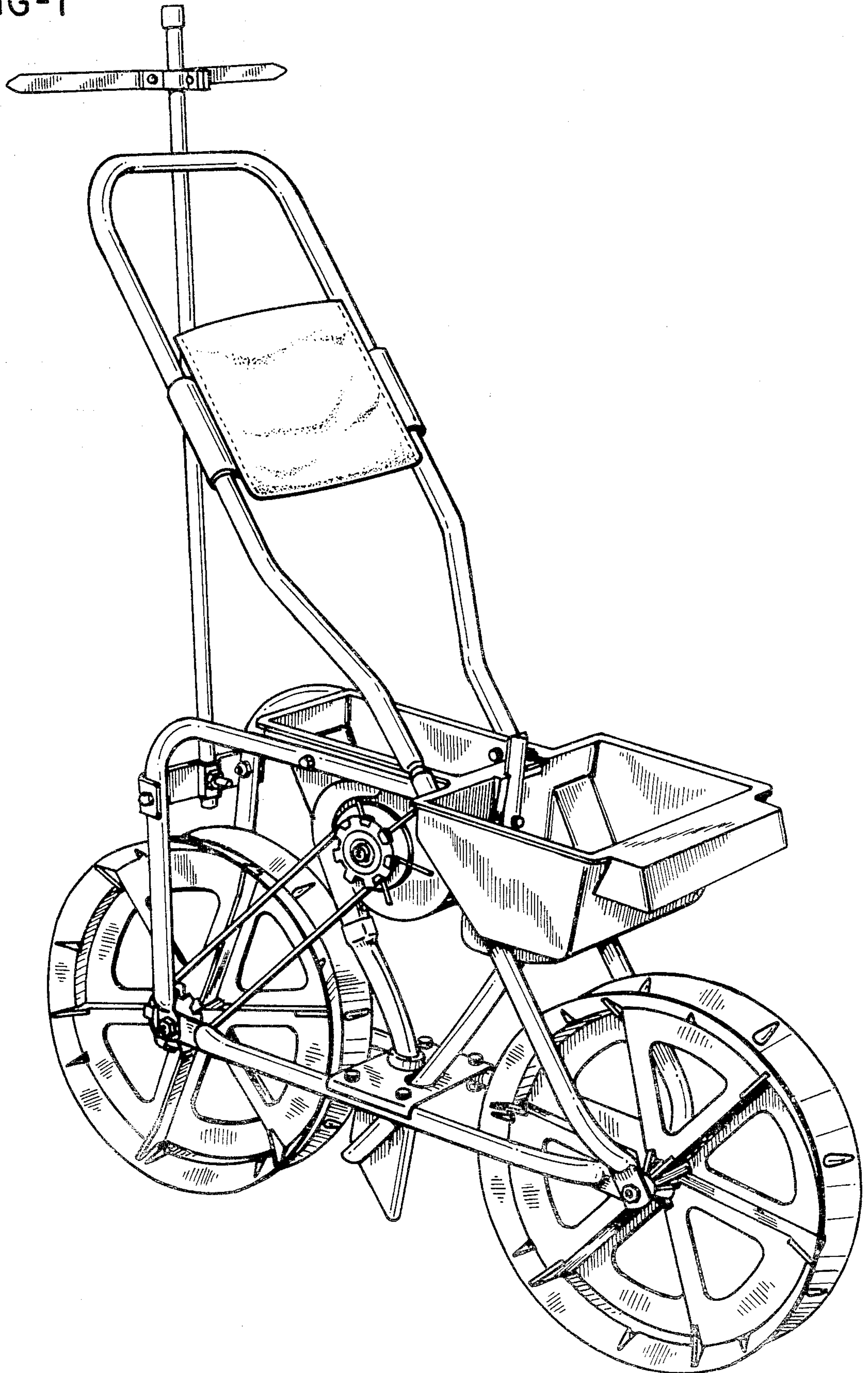


FIG-2

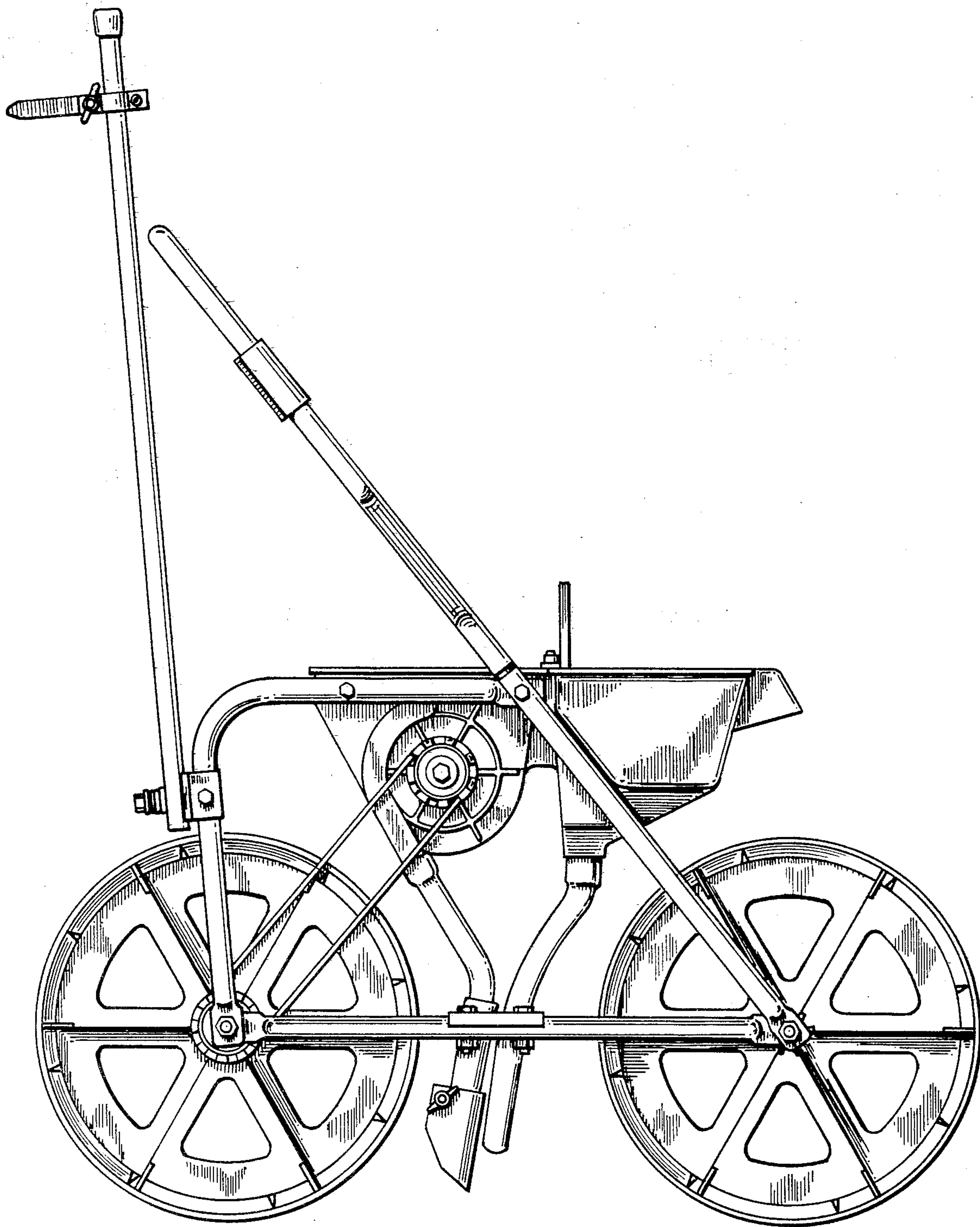


FIG-3

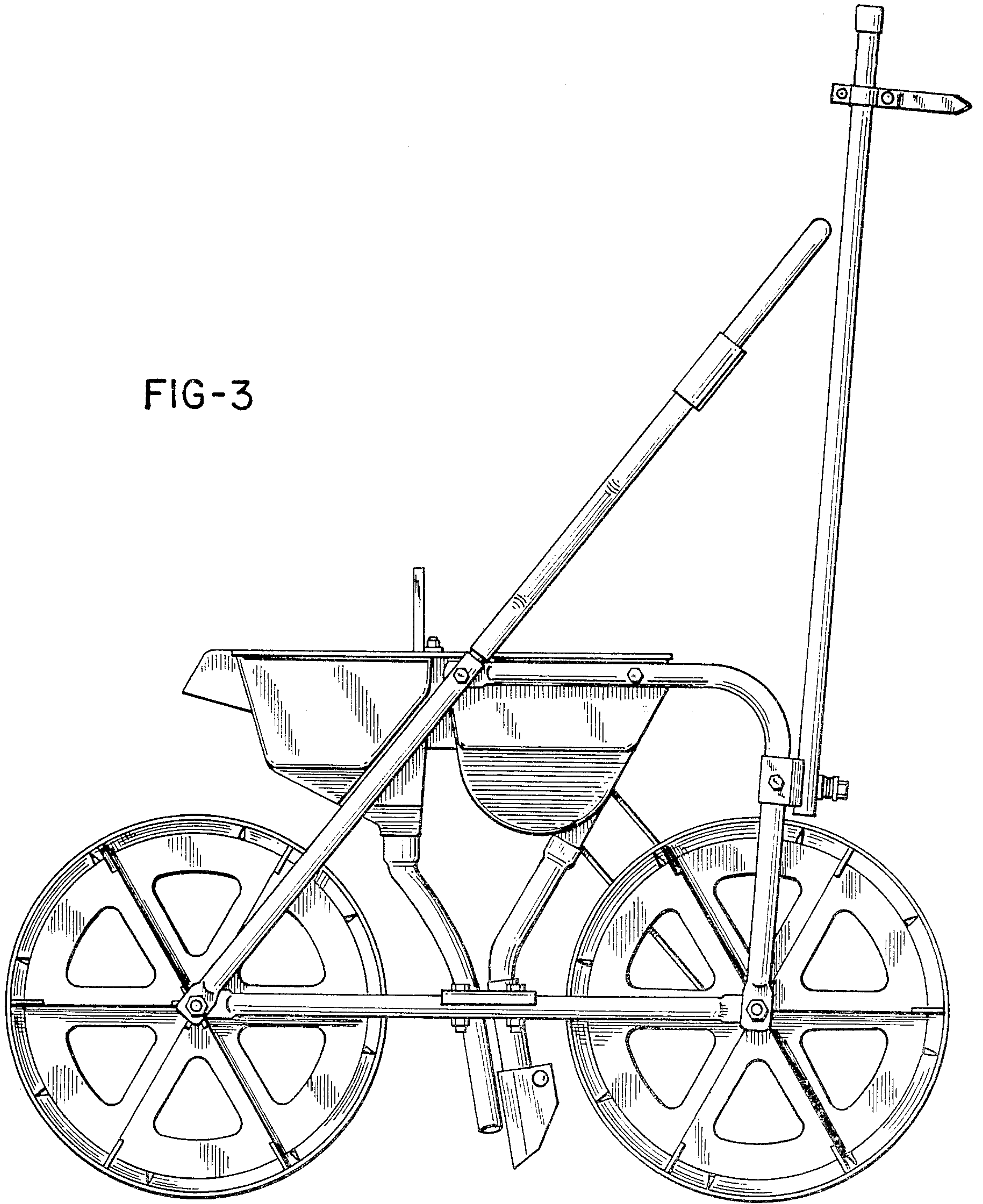


FIG-4

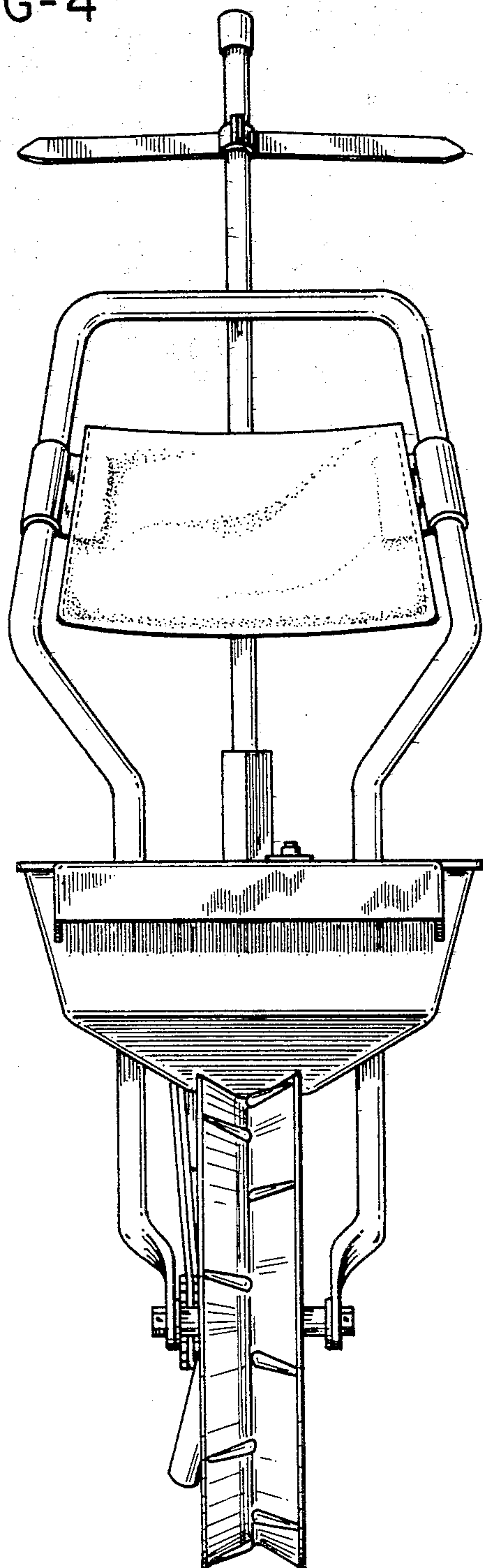


FIG-5

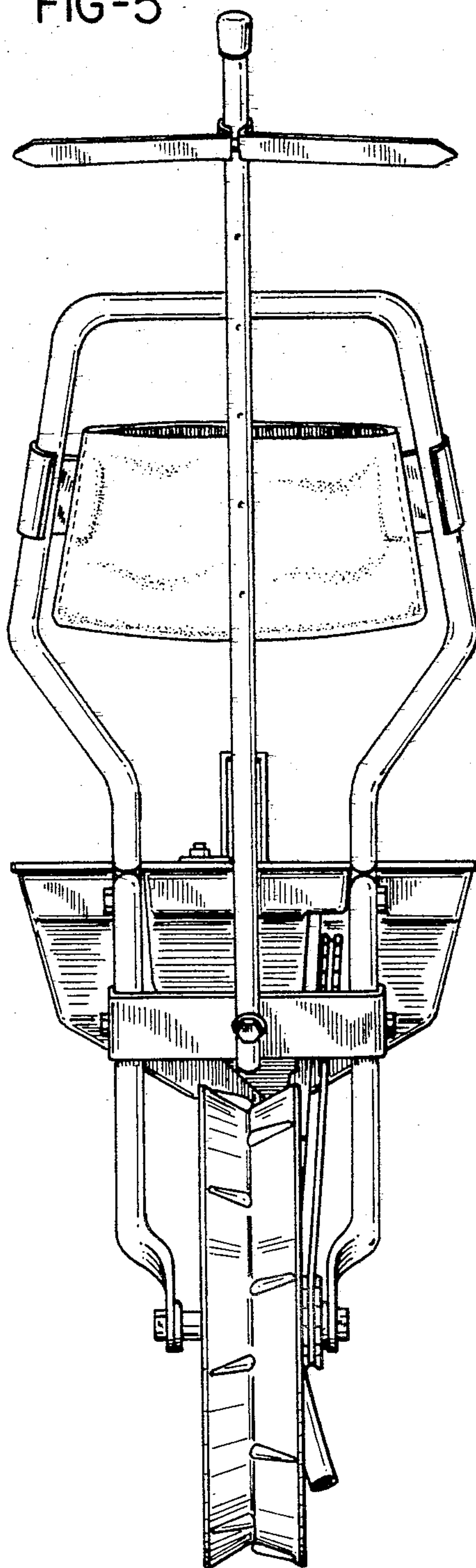


FIG-6

