

[54] **TELEPHONE SET**
 [75] **Inventor: Eric J. Marshall, London, England**
 [73] **Assignee: The Marshall Telephone Corporation Limited, Kent, England**
 [**] **Term: 14 Years**
 [21] **Appl. No.: 559,695**
 [22] **Filed: Dec. 9, 1983**
 [30] **Foreign Application Priority Data**
 Jun. 10, 1983 [GB] United Kingdom 1013505
 [52] **U.S. Cl. D14/53; D14/58; D14/63; D14/62; D14/60**
 [58] **Field of Search D14/52, 53, 58, 56, D14/59, 60, 61-62, 63; 179/179, 100 R, 100 D, 100 C, 100 L, 101, 103**

D. 277,663 2/1985 Sakamoto et al. D14/58

OTHER PUBLICATIONS

1983-1984 Best Cat., p. 335, Webcar, Item 4, Model 22738 WBC "Zip" Phone.

Primary Examiner—Wallace R. Burke
Assistant Examiner—Horace B. Fay
Attorney, Agent, or Firm—Cushman, Darby & Cushman

[56] **References Cited**
U.S. PATENT DOCUMENTS

D. 255,568 6/1980 Marshall D14/53
 D. 259,043 4/1981 Feinberg et al. D14/53
 D. 270,155 8/1983 Shimizu D14/53
 D. 276,157 10/1984 Marshall D14/53
 D. 276,692 12/1984 Marshall D14/53
 D. 276,808 12/1984 Fukutani D14/60

[57] **CLAIM**

The ornamental design for a telephone set, as shown and described.

DESCRIPTION

FIG. 1 is a top plan view of a telephone set showing my new design;
 FIGS. 2 and 3 are respectively left and right side elevational views thereof;
 FIG. 4 is a front end elevational view thereof;
 FIGS. 5 and 6 are respectively a side elevational view and an underneath plan view of the handset shown separately from the stand for facility of illustration;
 FIG. 7 is an end view of the handset shown separately for facility of illustration; and
 FIG. 8 is a perspective view, from above and to one side, of the top surface of the telephone set as shown in FIG. 1.

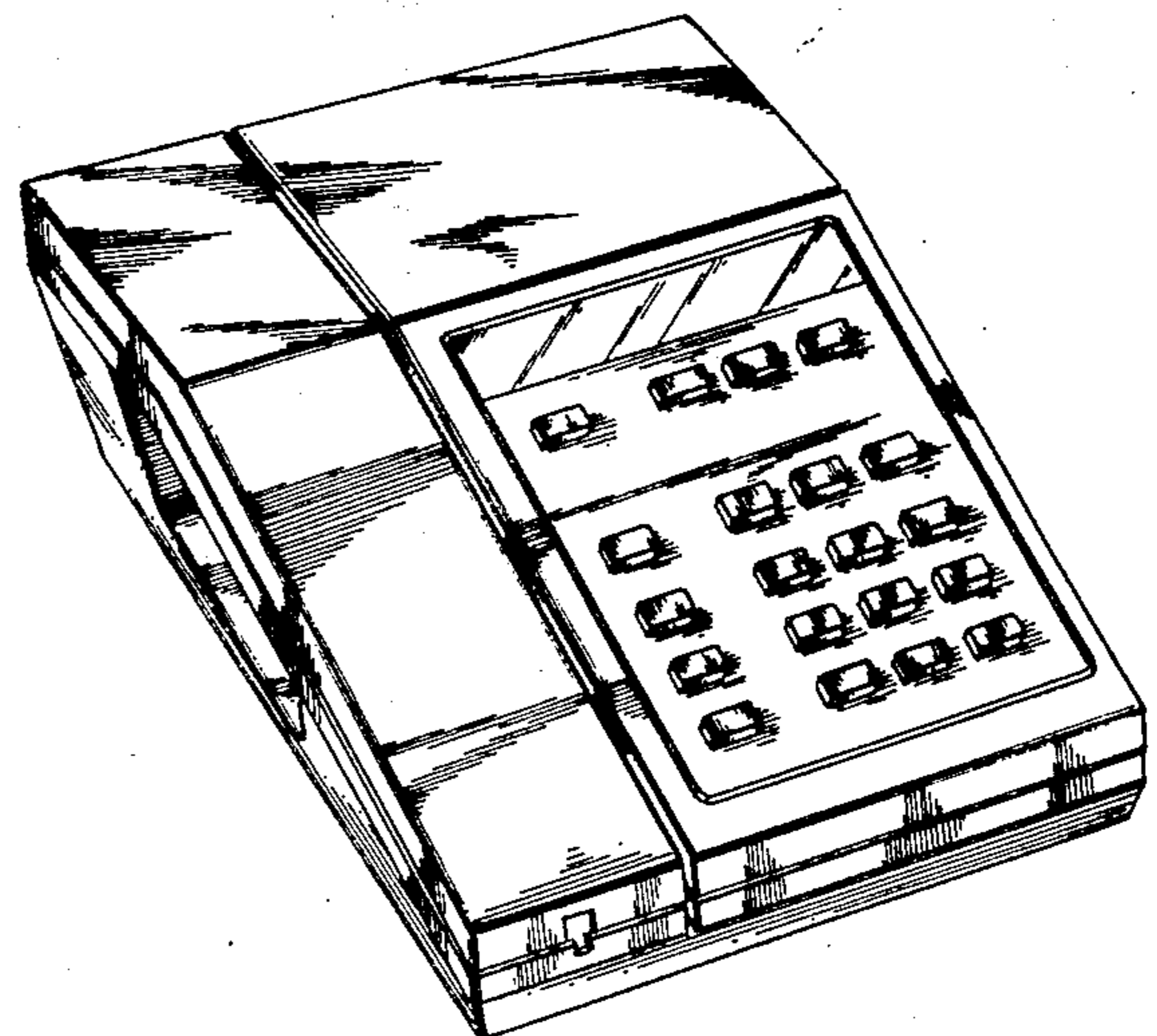
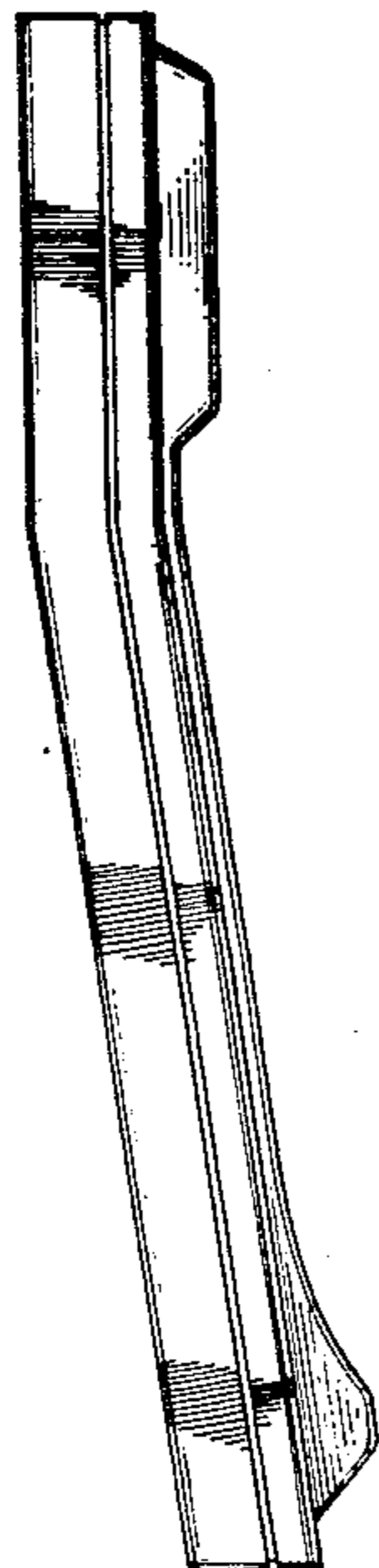
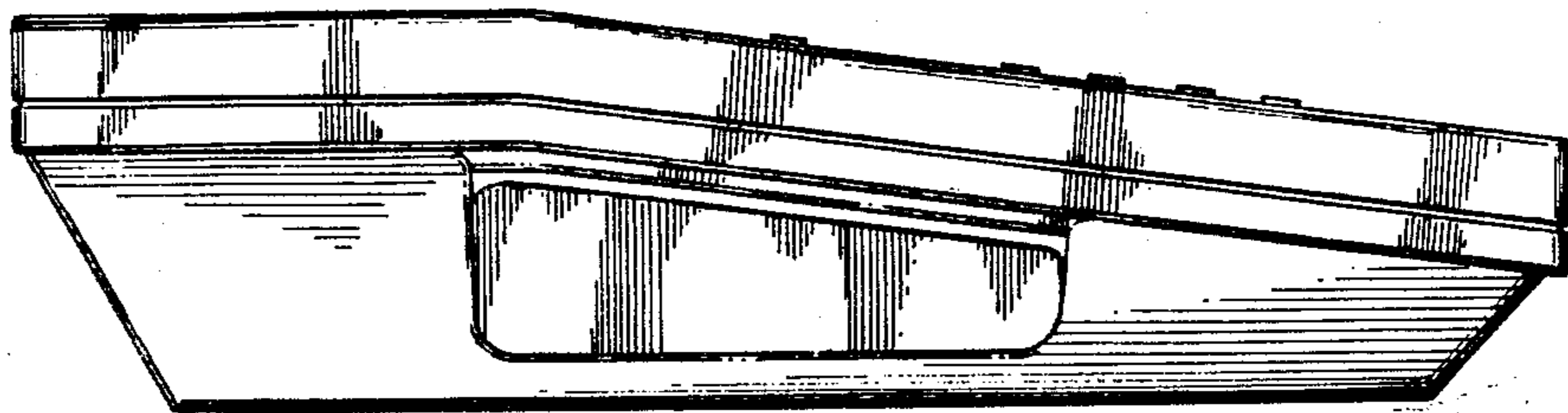


FIG. 1.

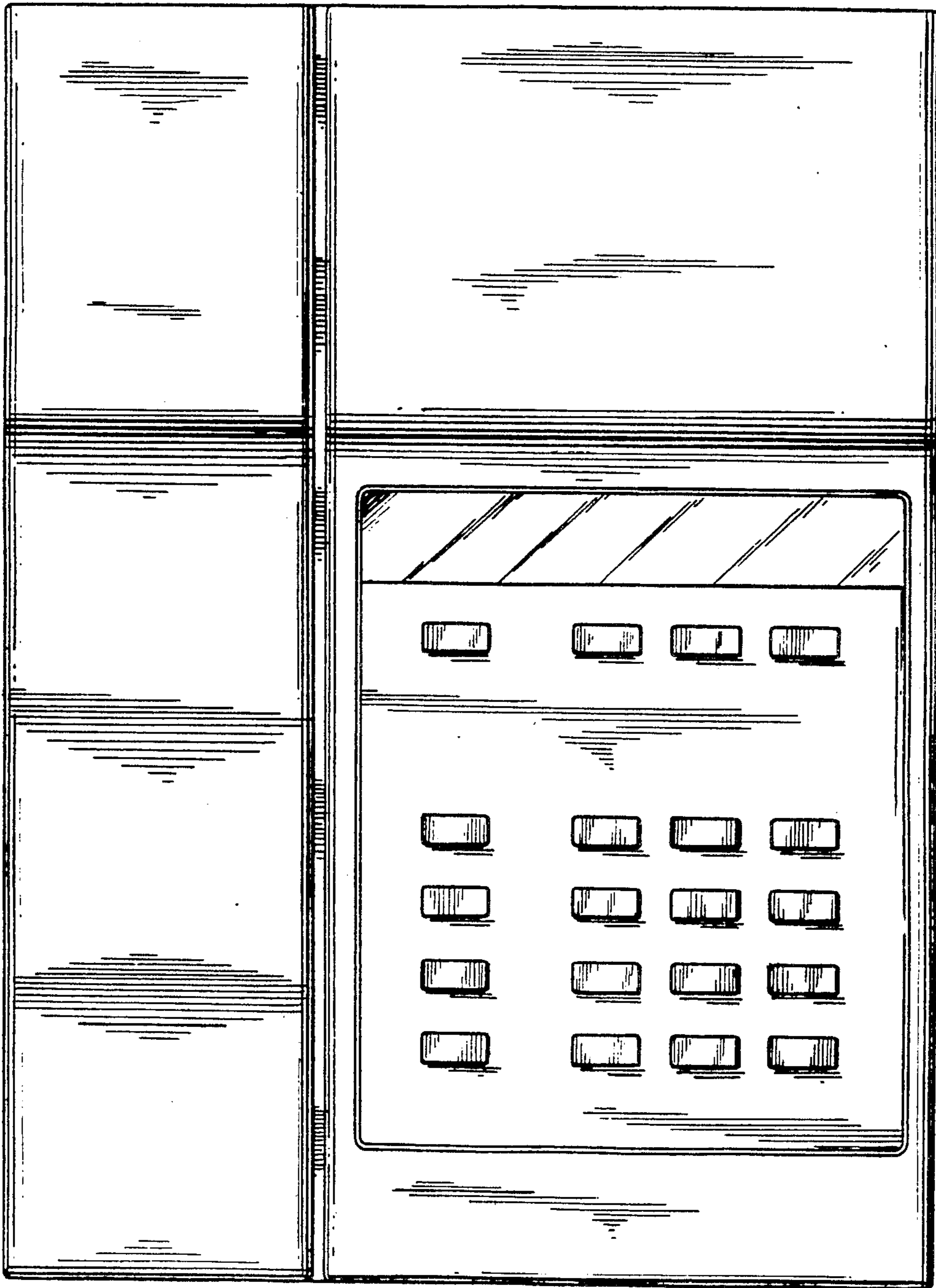


FIG. 2.

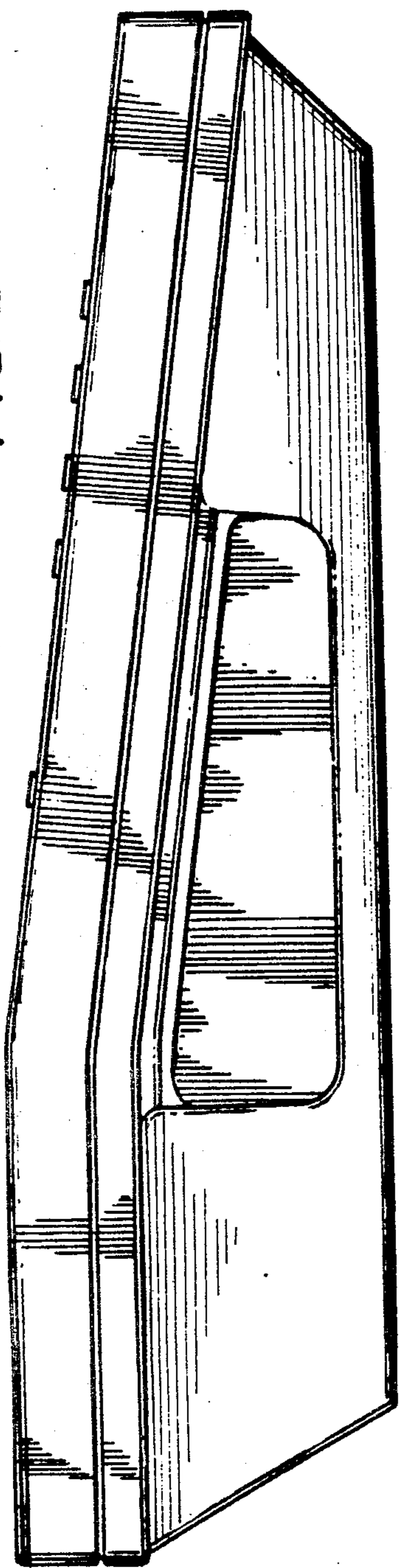


FIG. 3.

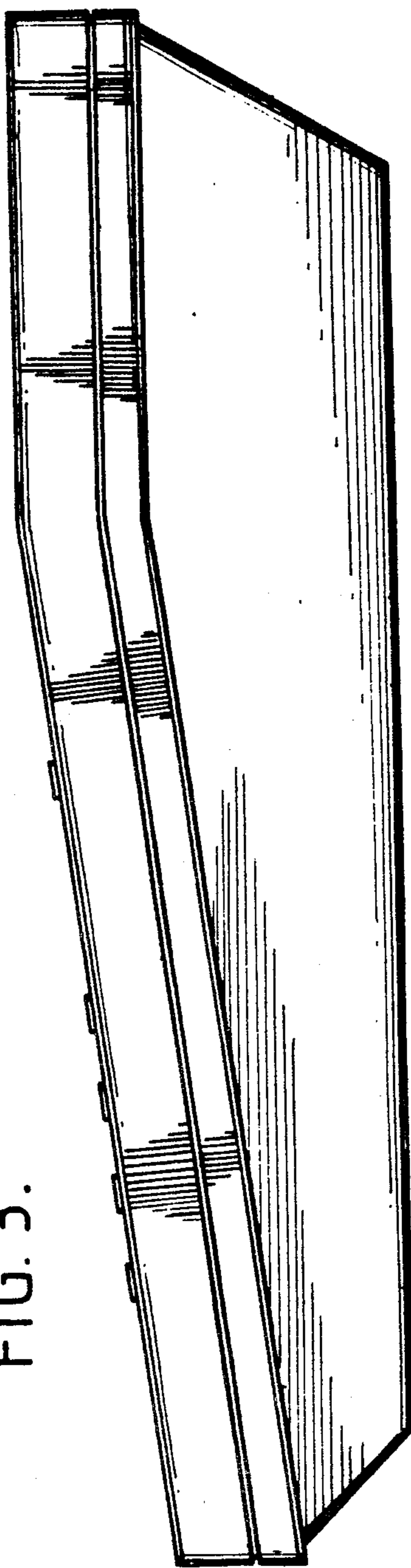
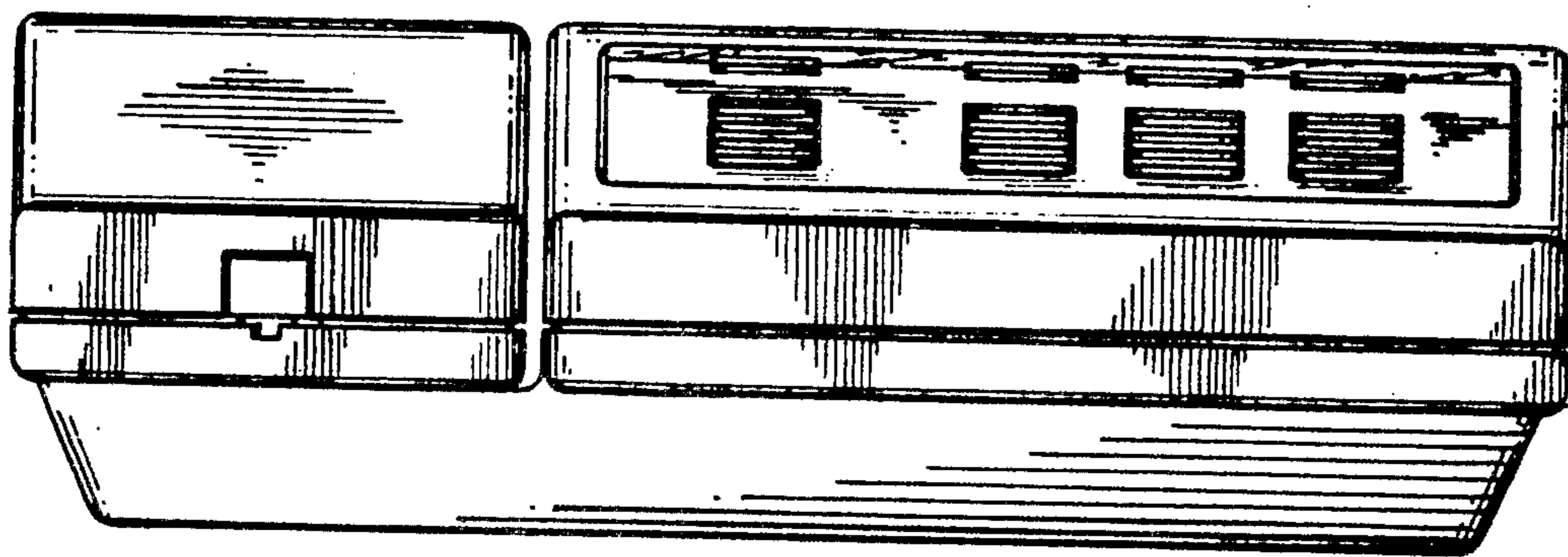
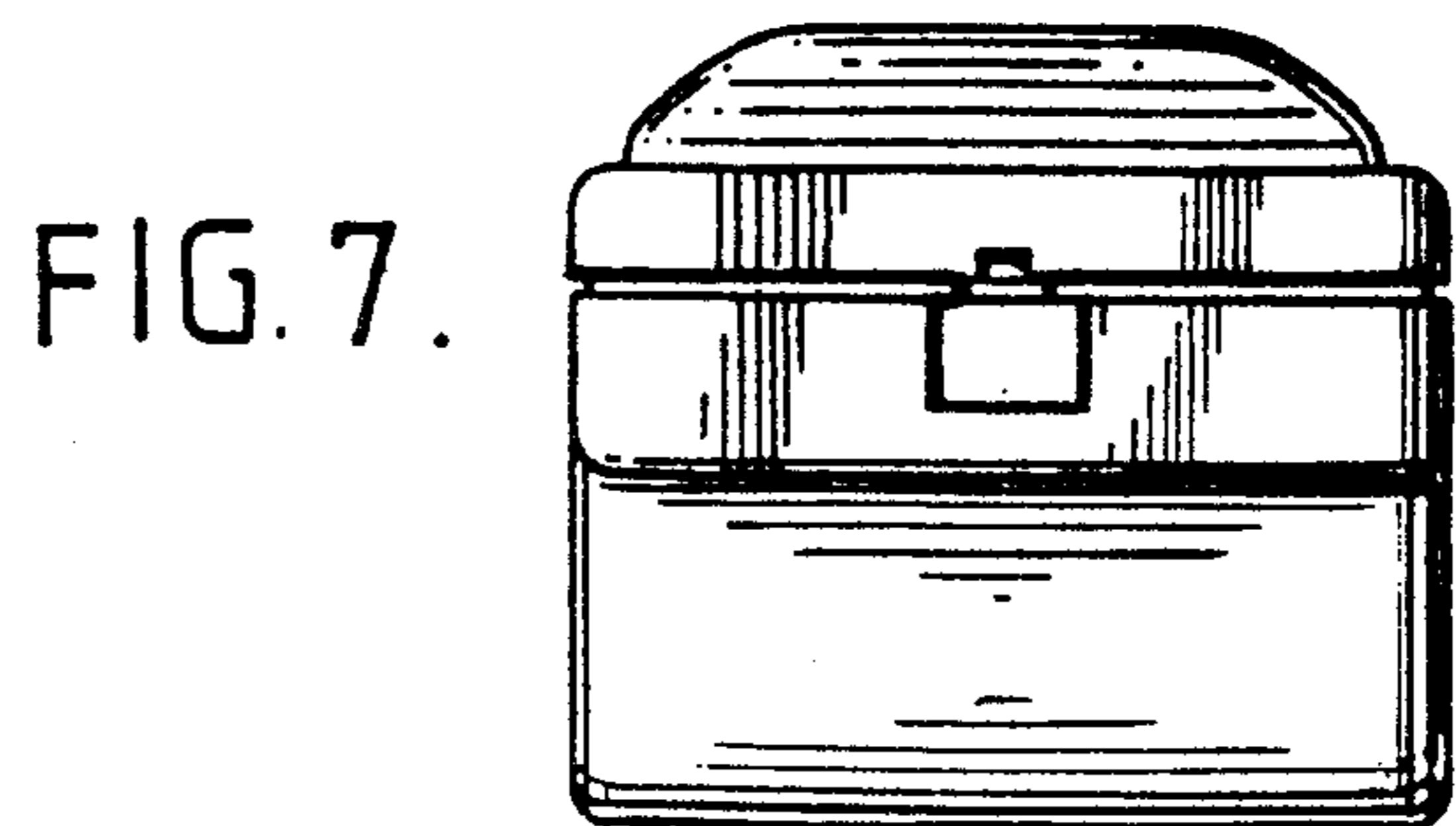
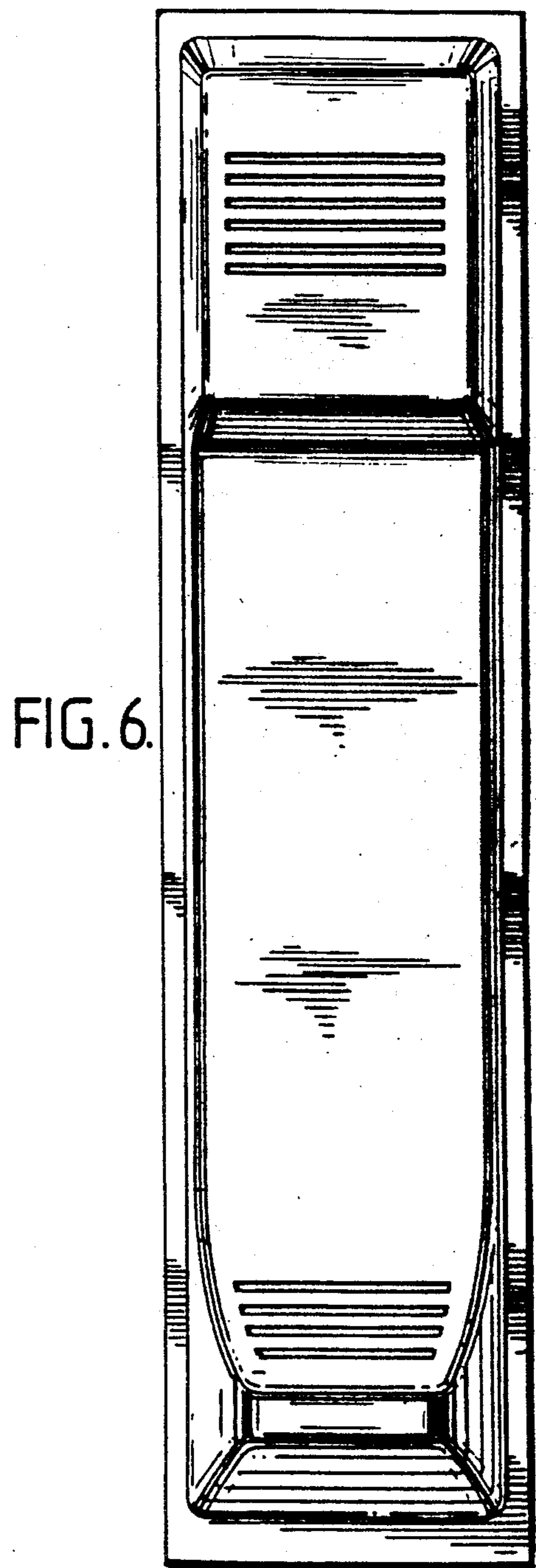
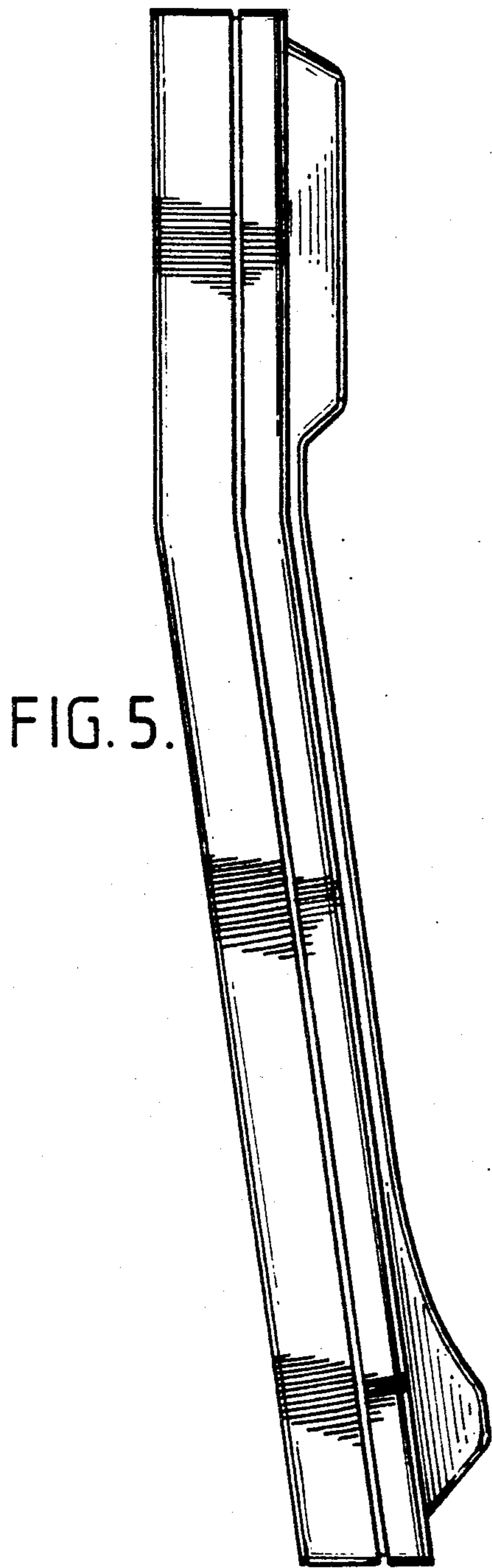


FIG. 4.





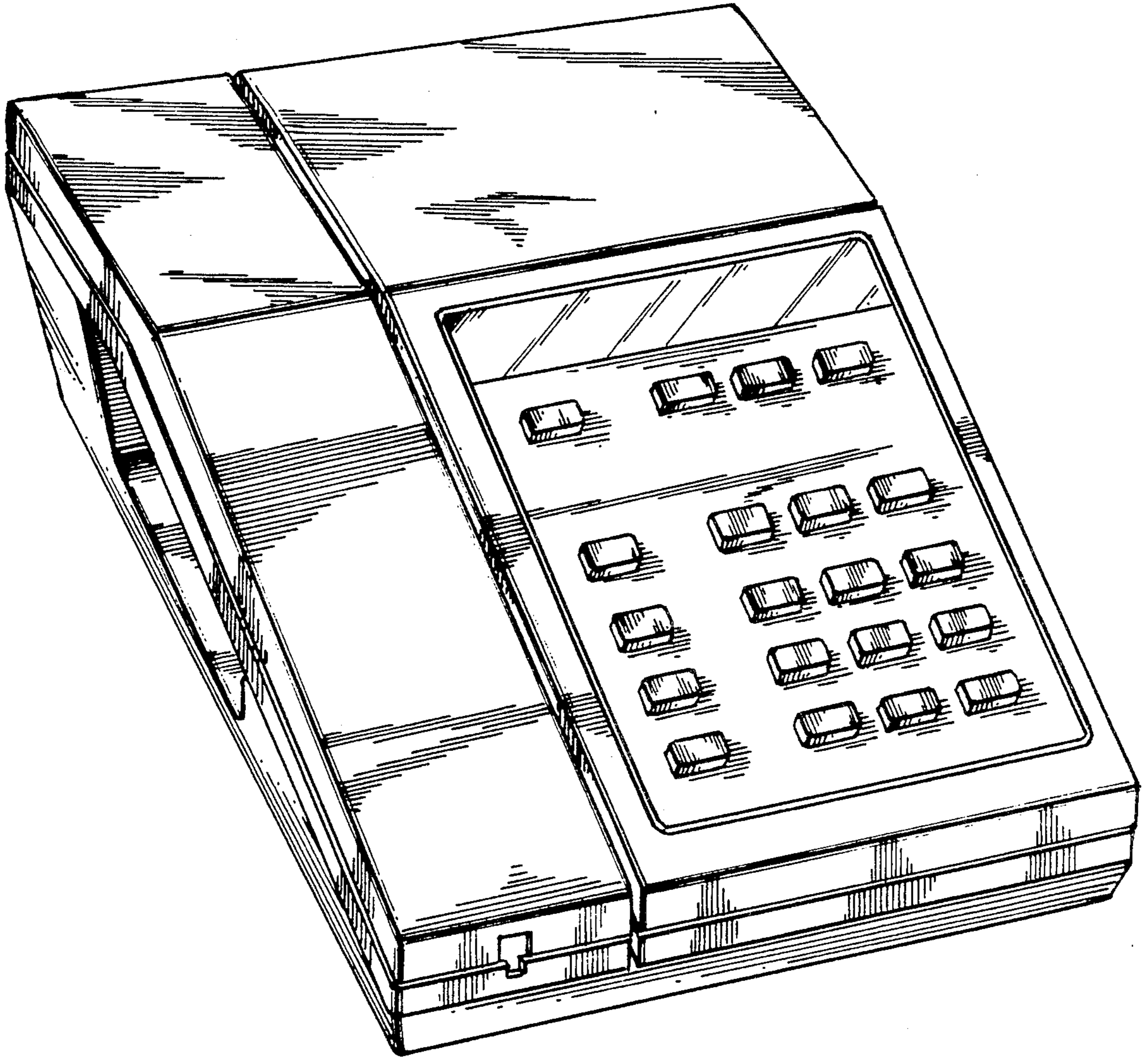


FIG. 8