

[54] **HOUSING FOR COMBINED HANDSET AND STAND TELEPHONE UNIT**

[76] **Inventor:** Eric J. Marshall, 5 Carlton Gardens, London SW1, England

[\*\*] **Term:** 14 Years

[21] **Appl. No.:** 505,528

[22] **Filed:** Jun. 17, 1983

[30] **Foreign Application Priority Data**

Dec. 21, 1982 [GB] United Kingdom ..... 1010430

[52] **U.S. Cl.** ..... D14/53; D14/60; D14/63

[58] **Field of Search** ..... D14/52, 53, 59, 60, D14/62; 179/179, 100 R, 100 D, 101

[56] **References Cited**

**U.S. PATENT DOCUMENTS**

Re. 26,034	5/1966	Nise et al. ....	D14/53
D. 217,819	6/1970	Denshi et al. ....	D14/53
D. 235,069	5/1975	Todeschini ....	D14/53
D. 248,649	7/1978	Breyer ....	D14/53
D. 260,518	9/1981	Larson ....	D14/53
D. 267,178	12/1982	Mona ....	D14/53
D. 275,568	9/1984	Marshall ....	D14/53
D. 275,853	10/1984	Marshall ....	D14/53
D. 276,157	10/1984	Marshall ....	D14/64
D. 276,721	12/1984	Marshall ....	D14/53
D. 277,379	1/1985	Cooke et al. ....	D14/64

**FOREIGN PATENT DOCUMENTS**

2326345 12/1974 Fed. Rep. of Germany ... 179/100 R

**OTHER PUBLICATIONS**

Master Handbook of Telephones by Traister, ©1981; "Diplomat" Phone by Teleconcepts, Inc. p. 69.

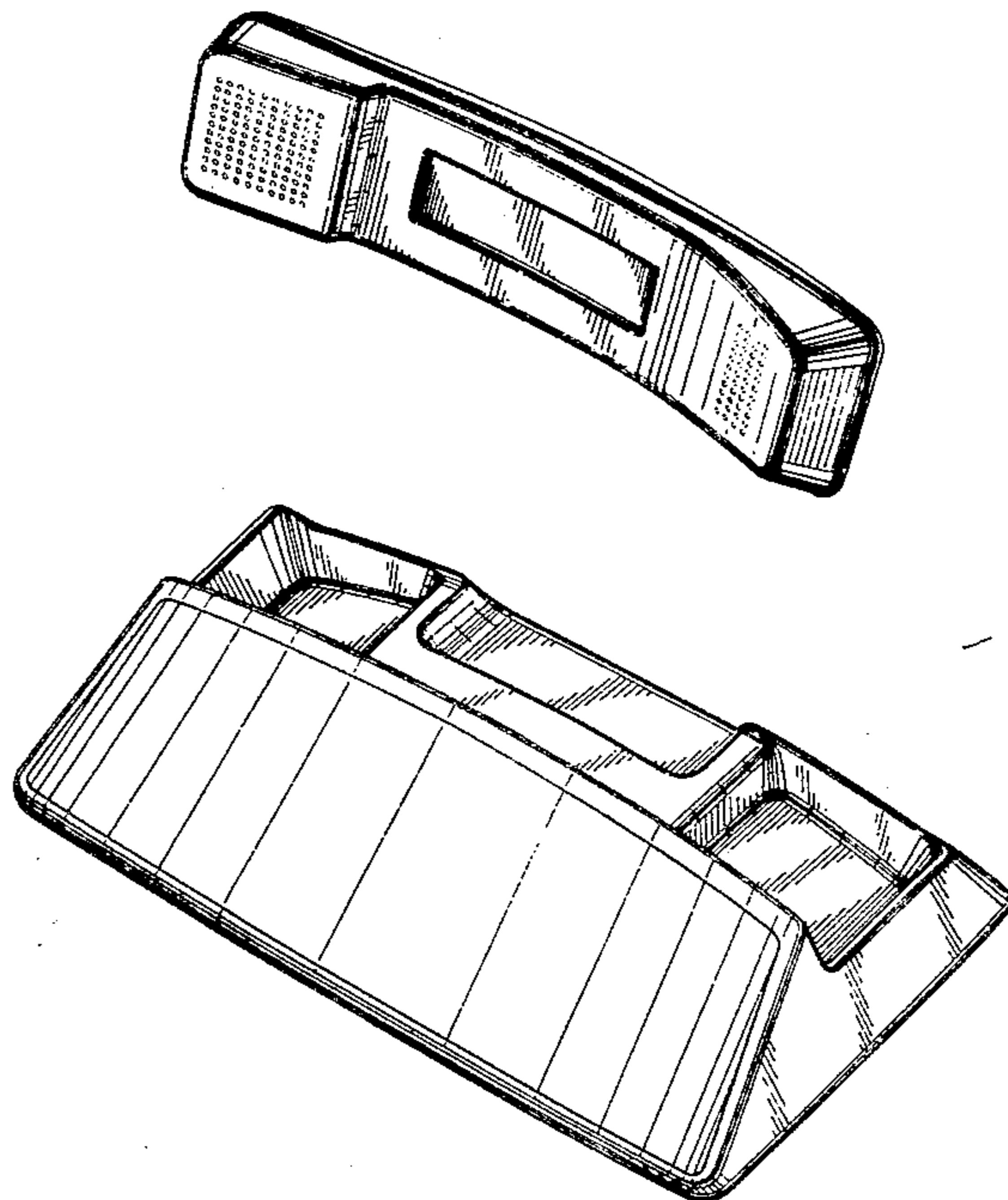
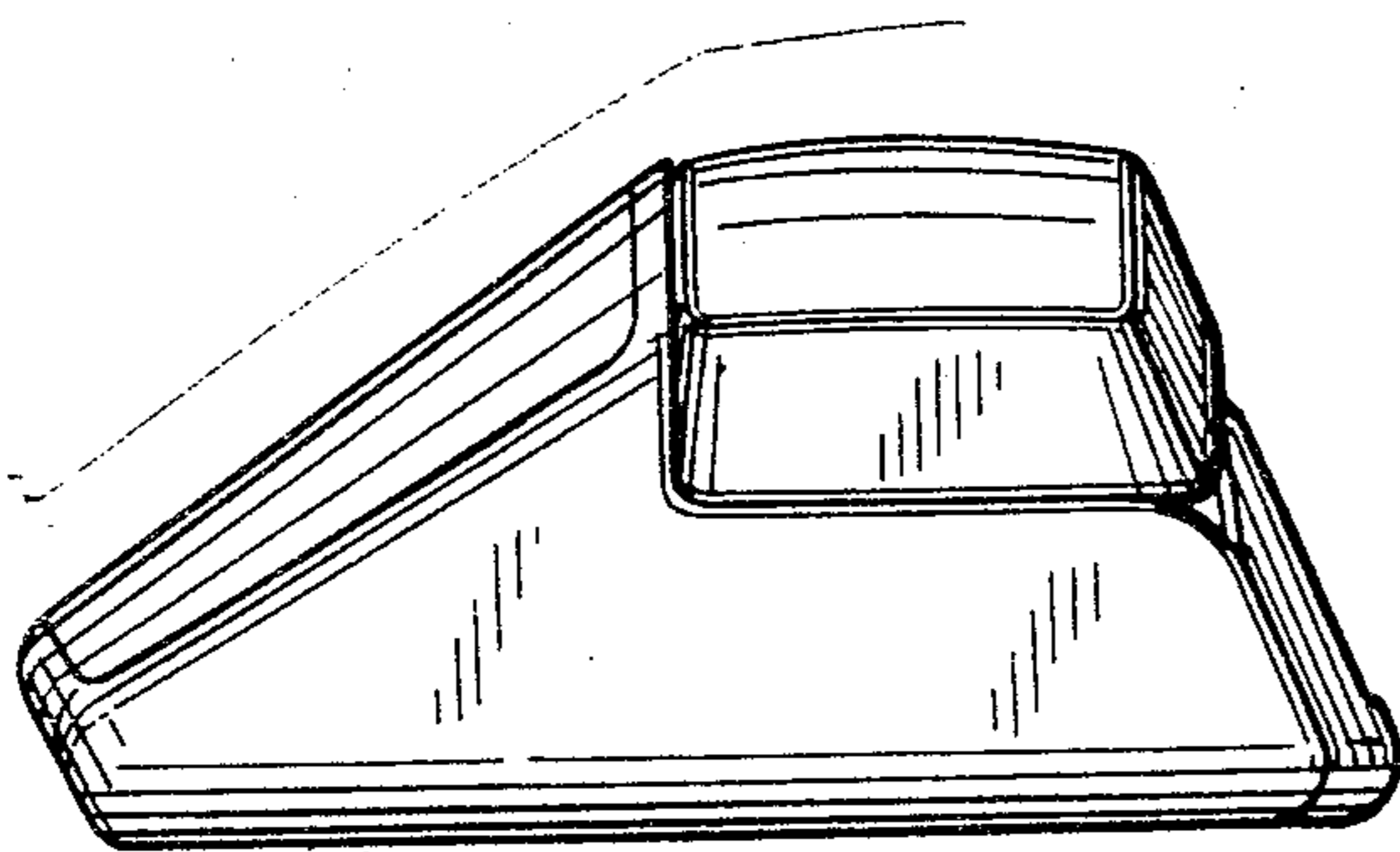
*Primary Examiner*—James R. Largen  
*Assistant Examiner*—Horace B. Fay  
*Attorney, Agent, or Firm*—William A. Drucker

[57] **CLAIM**

The ornamental design for a housing for combined handset and stand telephone unit, as shown and described.

**DESCRIPTION**

FIG. 1 is a top plan view of a housing for combined handset and stand telephone unit showing my new design with the handset cradled upon the stand; FIG. 2 is a front elevational view thereof; FIG. 3 is a rear elevational view thereof; FIG. 4 is a right side elevational view thereof, and the view of the left side is substantially a mirror image; FIG. 5 is an elevational view of one side of the handset when removed from the stand and the view of the side opposite is a mirror image thereof; FIG. 6 is a plan view of the underneath side of the handset removed from the stand; FIG. 7 is an elevational view of one end of the handset; FIG. 8 is an elevational view of the other end of the handset; FIG. 9 is a perspective view of the underneath side of the handset; and FIG. 10 is a perspective view from above of the cradle/stand with the handset removed therefrom. The handset and stand components of the combined telephone unit are shown independently in FIGS. 5-10 for clarity and ease of illustration.



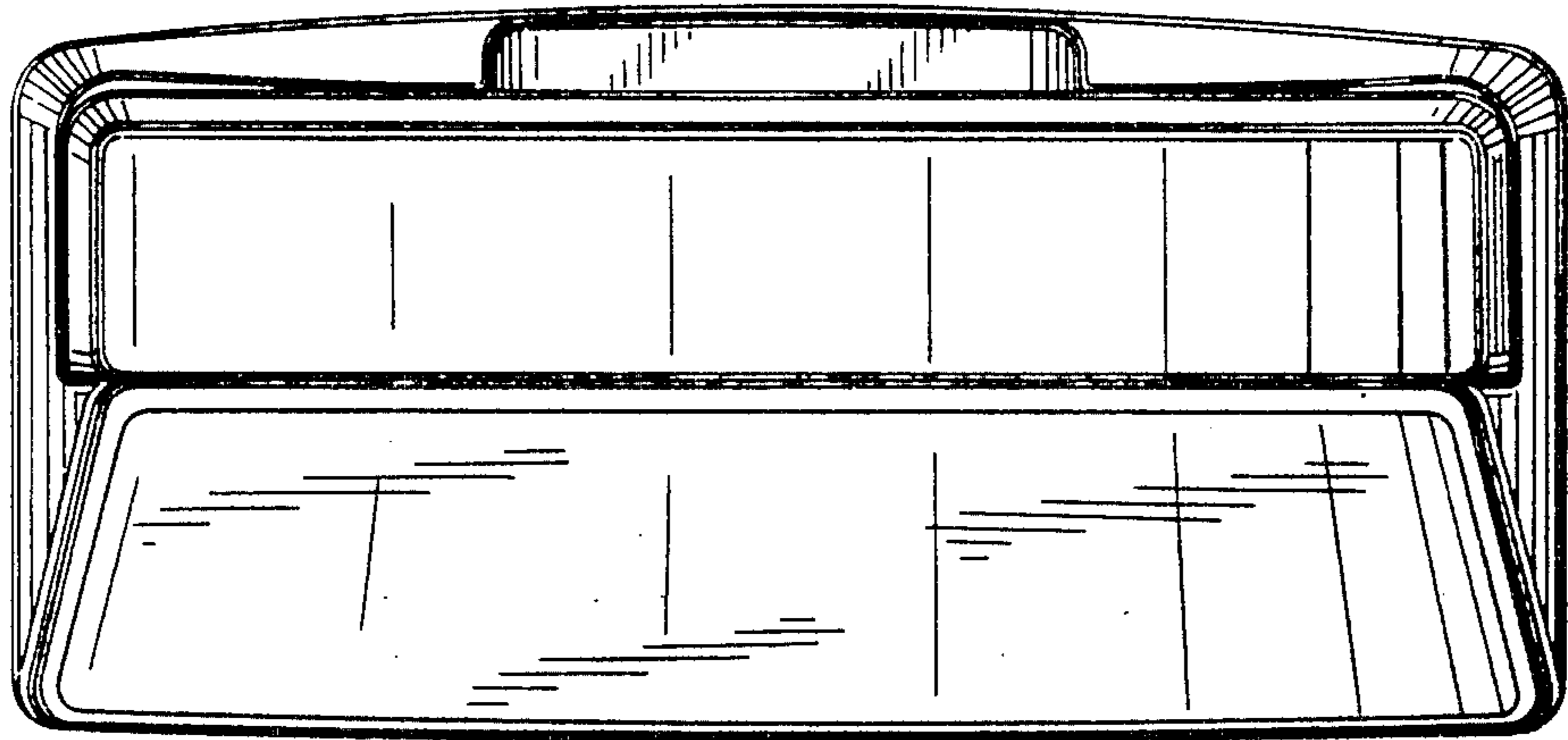


FIG. 1.

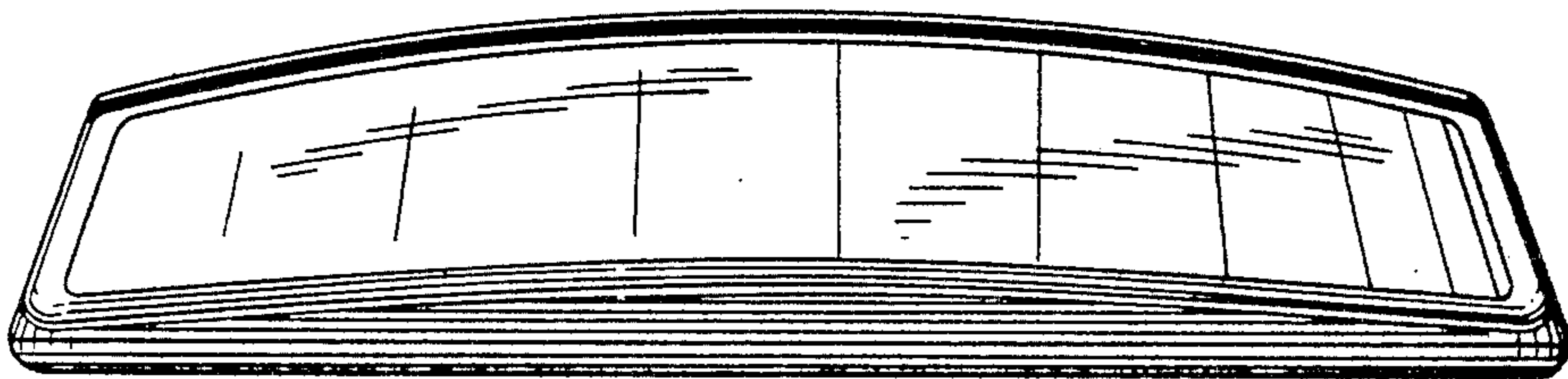


FIG. 2.

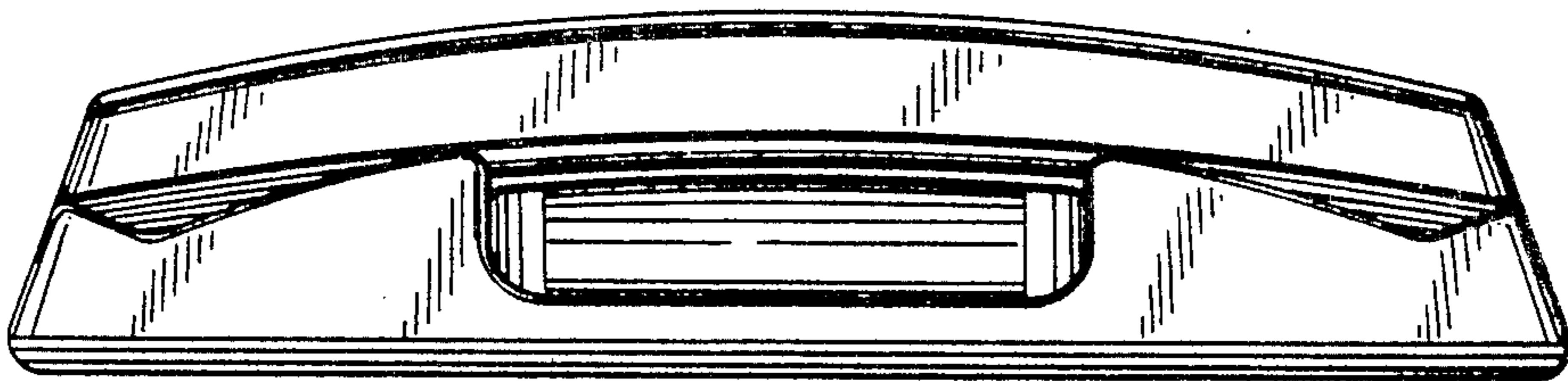


FIG. 3.

FIG. 4.

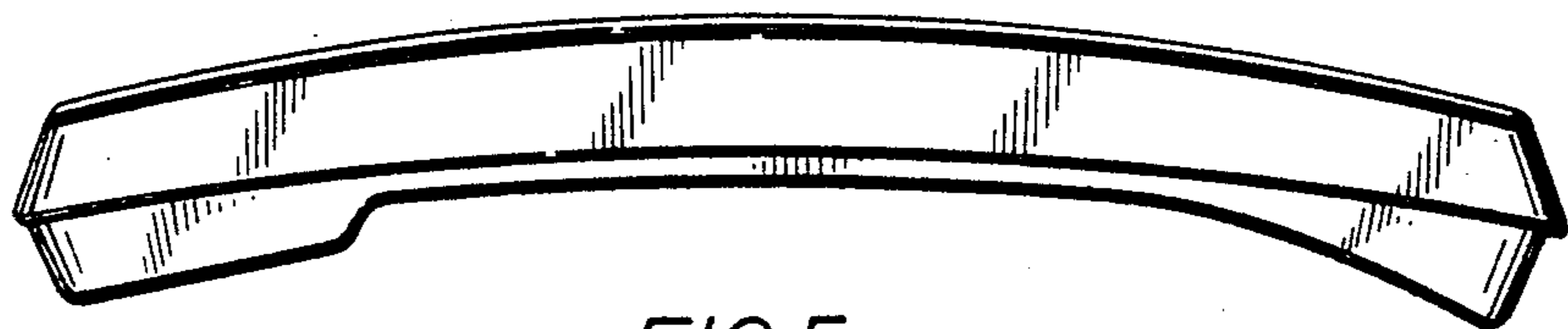
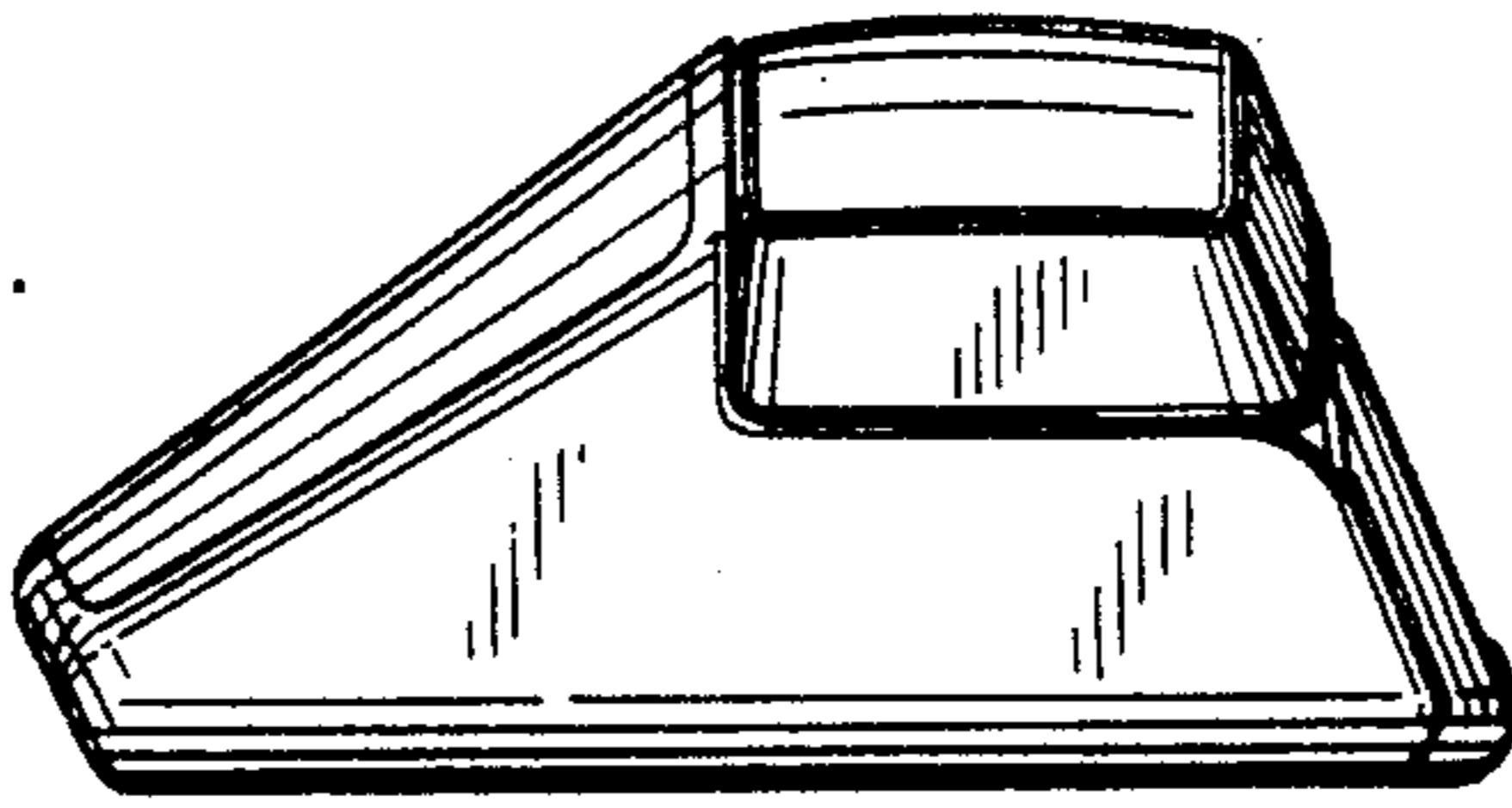


FIG. 5.

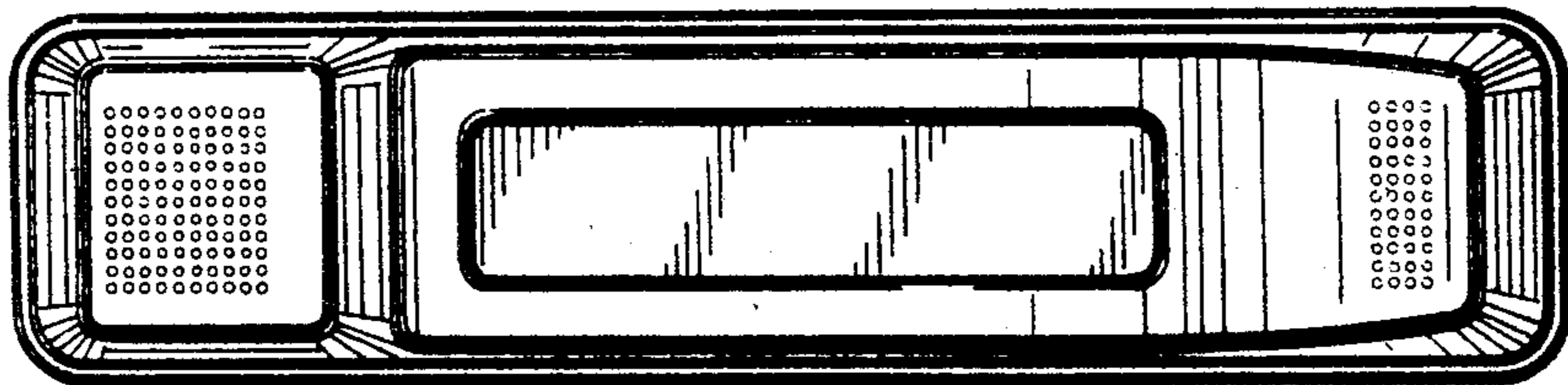


FIG. 6.

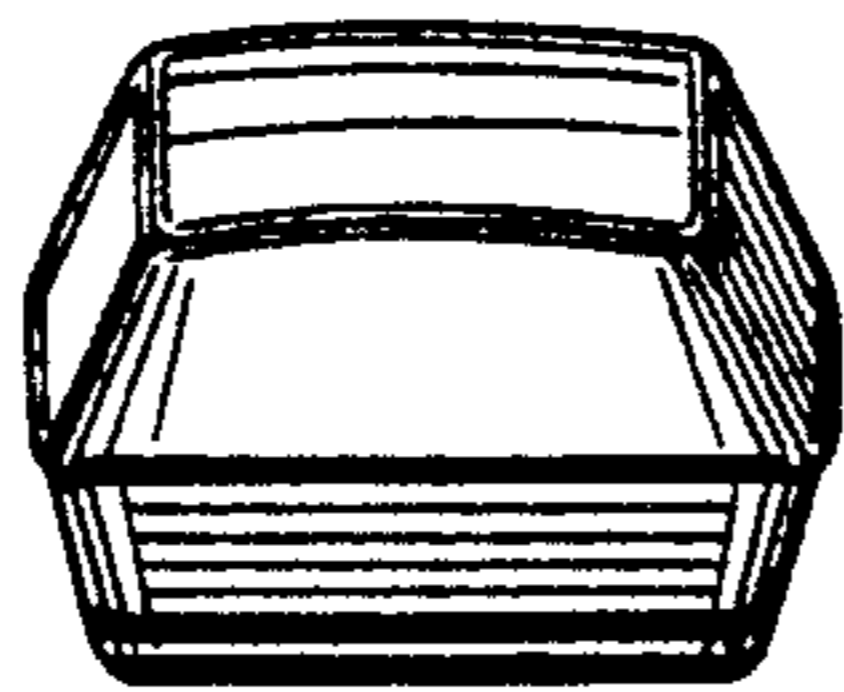


FIG. 7.

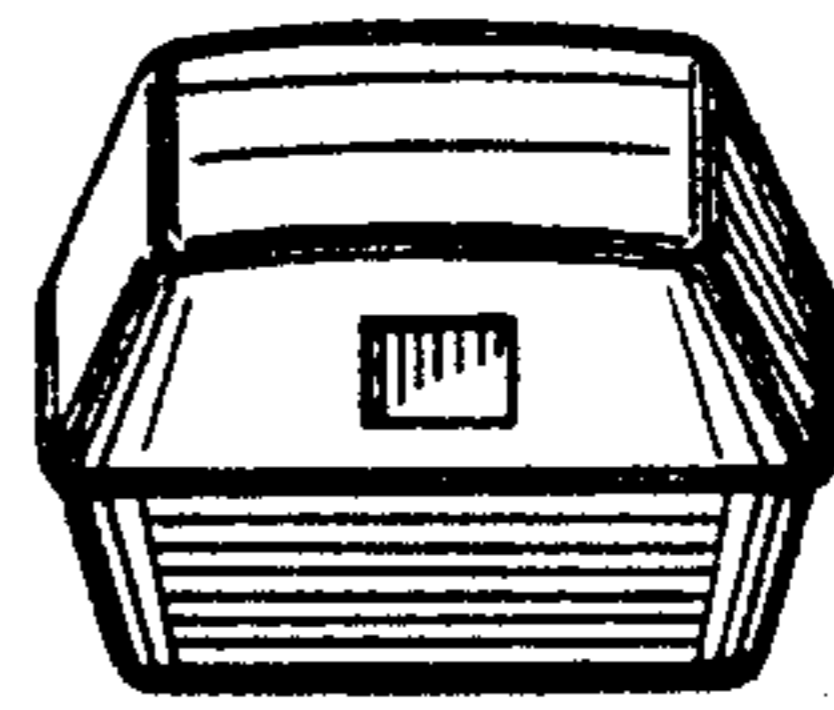


FIG. 8.

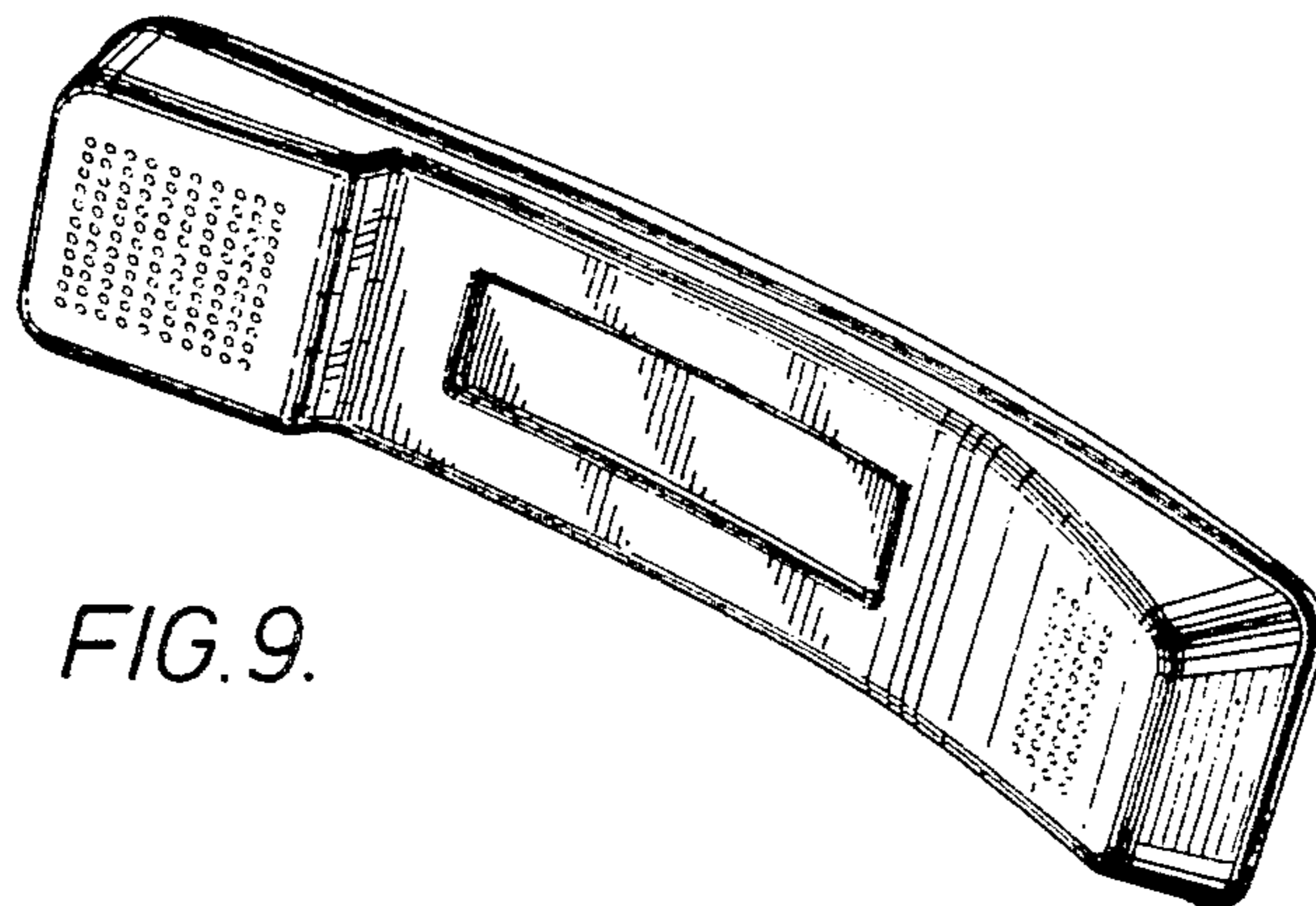


FIG. 9.

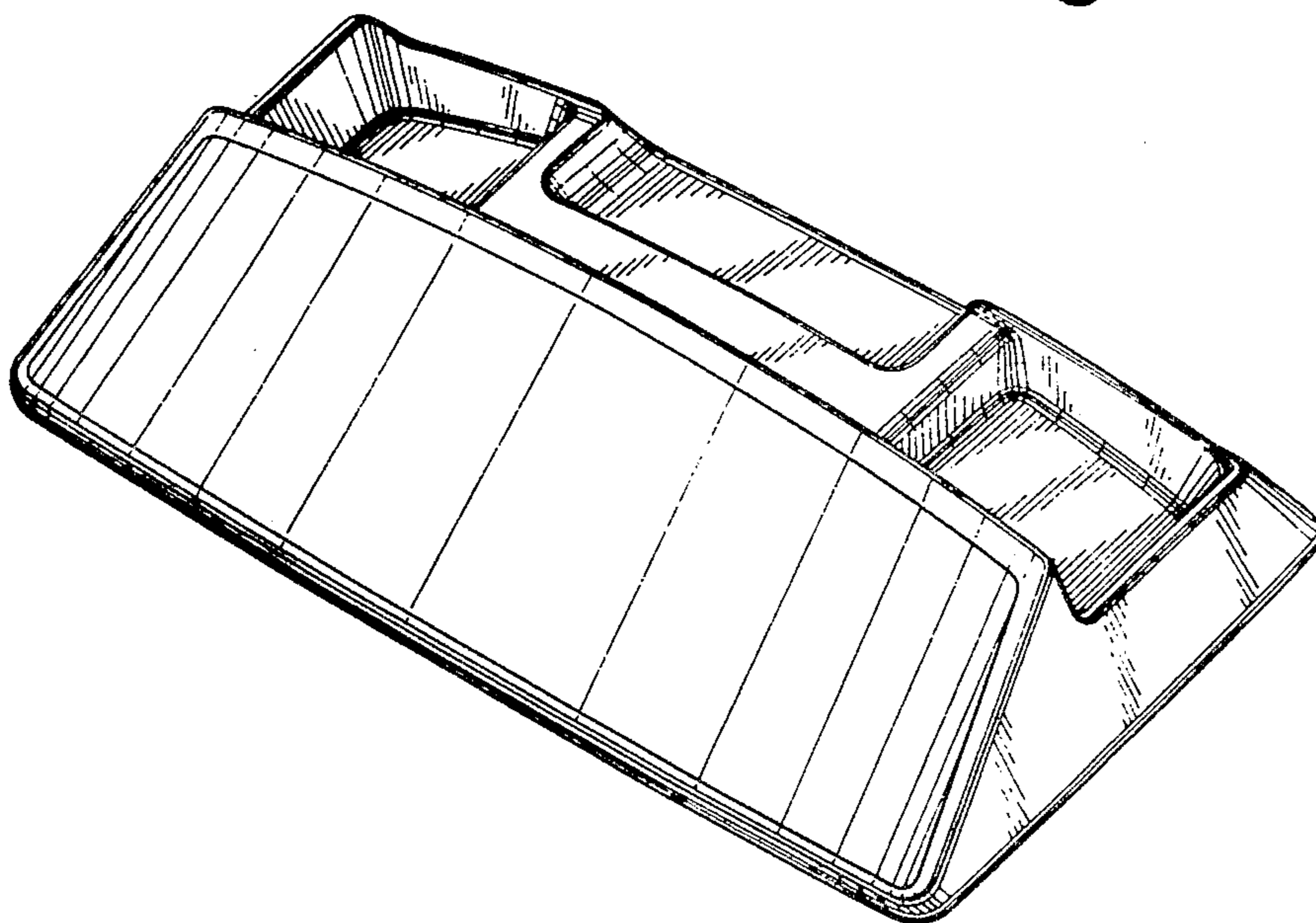


FIG. 10.