

United States Patent [19]

Schroeder et al.

[11] Patent Number: **Des. 284,640**

[45] Date of Patent: **** Jul. 15, 1986**

[54] **CONVEYOR CHAIN LINK**

[75] Inventors: **Roger H. Schroeder**, Hartland;
Robert J. Gladczak, Milwaukee;
Wasyly G. Hodlewsky, Greendale, all
of Wis.

[73] Assignee: **Rexnord Inc.**, Brookfield, Wis.

[**] Term: **14 Years**

[21] Appl. No.: **508,766**

[22] Filed: **Jun. 28, 1983**

[52] U.S. Cl. **D8/499**

[58] Field of Search **D34/29, 35; D8/499;**
198/850, 852, 853

[56] **References Cited**

U.S. PATENT DOCUMENTS

D. 248,826 8/1978 Lehtola D34/29

D. 270,201 8/1983 Hodlwesky et al. D34/29
D. 270,202 8/1983 Hodlwesky et al. D34/29
4,213,422 7/1980 Nagel et al. 198/850

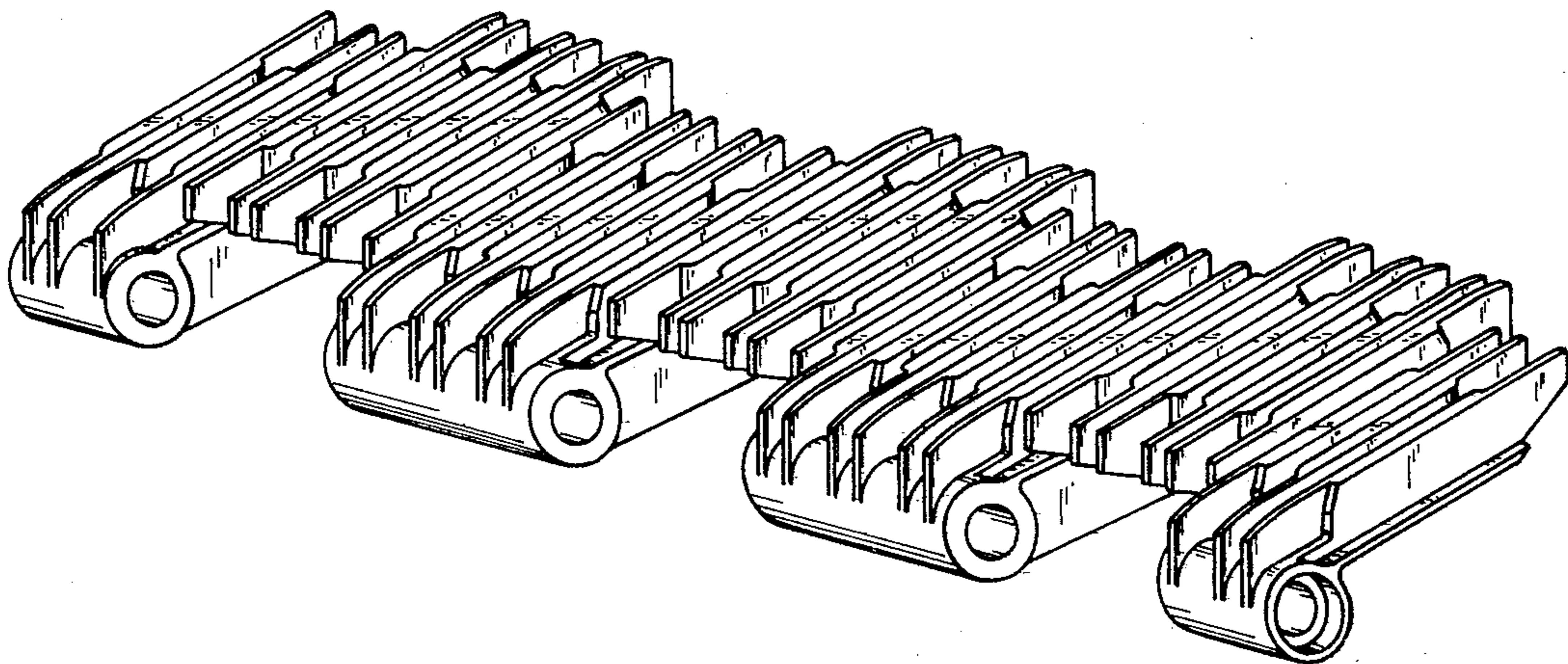
Primary Examiner—James R. Largen
Assistant Examiner—Brian N. Vinson
Attorney, Agent, or Firm—Richard C. Ruppin

[57] **CLAIM**

The ornamental design for a conveyor chain link, as shown.

DESCRIPTION

FIG. 1 is a perspective view of a conveyor chain link showing my new design;
FIG. 2 is a top plan view thereof.
FIG. 3 is a bottom view thereof.
FIG. 4 is an inverted rear elevational thereof.
FIG. 5 is a front elevational view thereof.
FIG. 6 is a left side elevational view thereof.
FIG. 7 is a right side elevational view thereof.



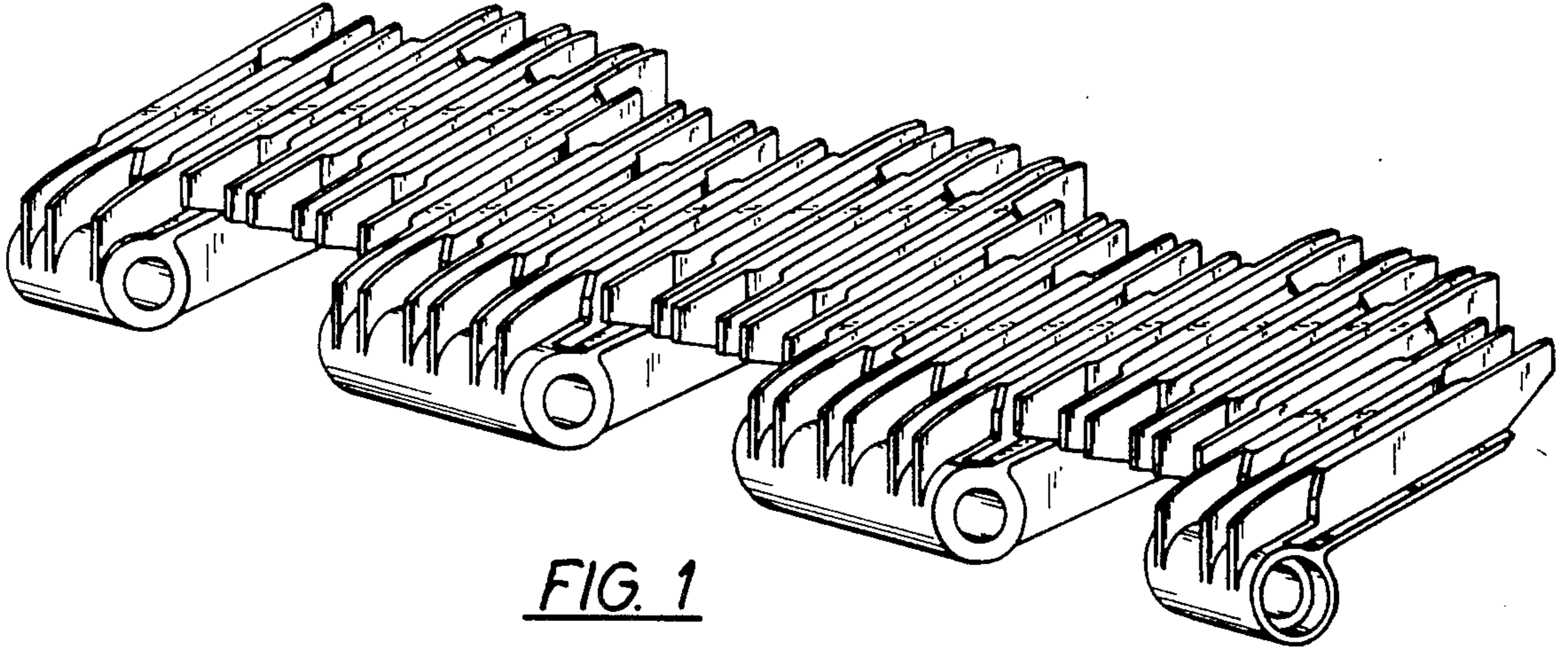


FIG. 1

