

[54] CHUCK KEY

[75] Inventor: Robert I. Somers, Raleigh, N.C.

[73] Assignee: Black & Decker Inc., Newark, Del.

[**] Term: 14 Years

[21] Appl. No.: 507,221

[22] Filed: Jun. 23, 1983

[52] U.S. Cl. D8/21; D15/140

[58] Field of Search D8/21, 14, 71, 107,
D8/29; 279/1 K; 81/16; D15/140

[56] References Cited

U.S. PATENT DOCUMENTS

- 4,111,079 9/1978 Derbyshire 279/1 K
- 4,133,543 1/1979 Johnson D8/21 X
- 4,186,933 2/1980 Derbyshire 279/1 K

Primary Examiner—Susan J. Lucas

Attorney, Agent, or Firm—Finnegan, Henderson,
Farabow, Garrett & Dunner

[57] CLAIM

The ornamental design for a chuck key, as shown and described.

DESCRIPTION

FIG. 1 is a left side view of a chuck key showing my new design, the right side view being a mirror image thereof;

FIG. 2 is a front view thereof;

FIG. 3 is a cross-sectional view thereof taken along line III of FIG. 2;

FIG. 4 is a rear view thereof;

FIG. 5 is a cross-sectional view thereof taken along line V—V of FIG. 4;

FIG. 6 is a cross-sectional view thereof taken along line VI—VI of FIG. 4;

FIG. 7 is a top view thereof, the bottom view being identical thereto;

FIG. 8 is a perspective view thereof.

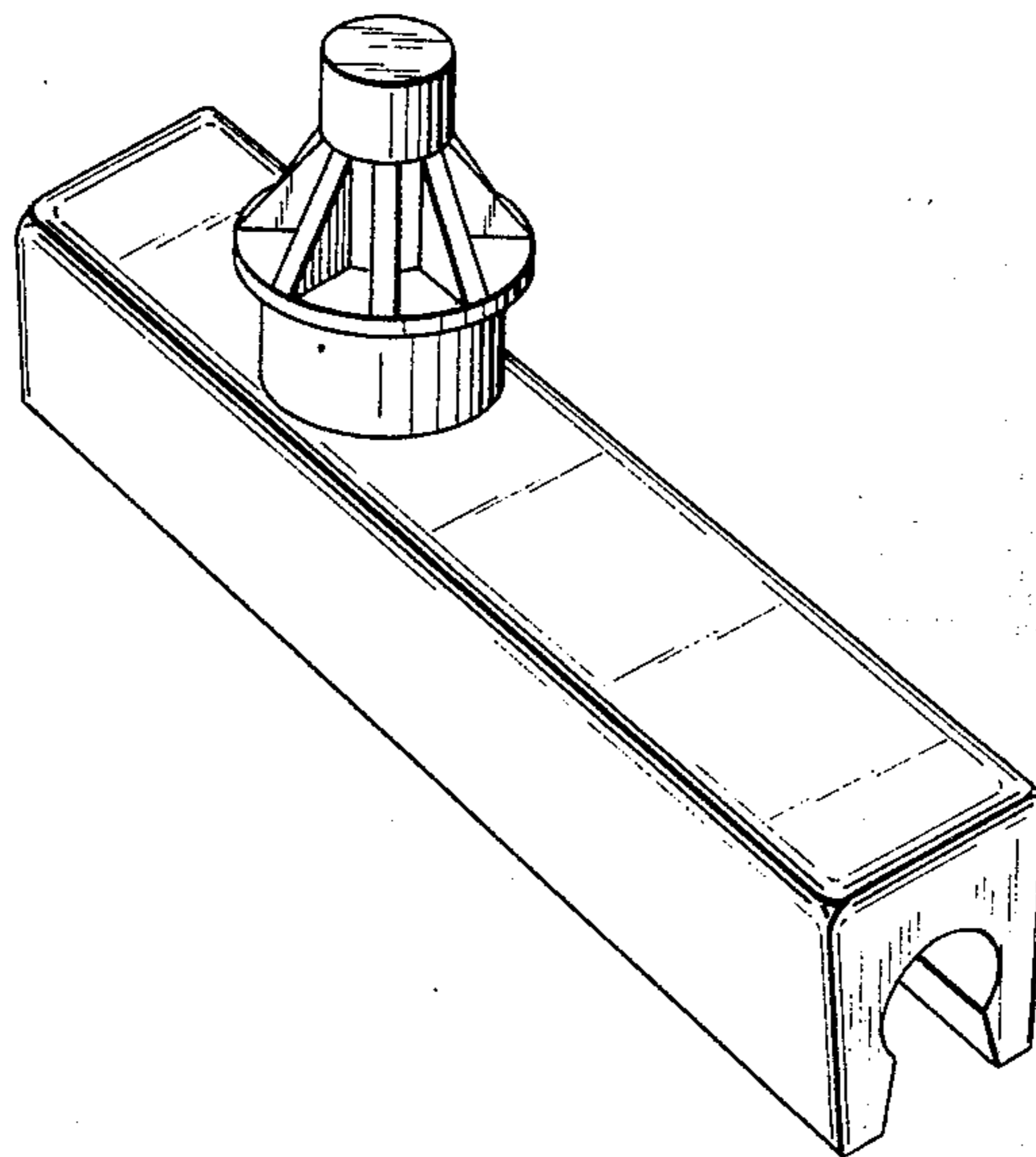


Fig. 1

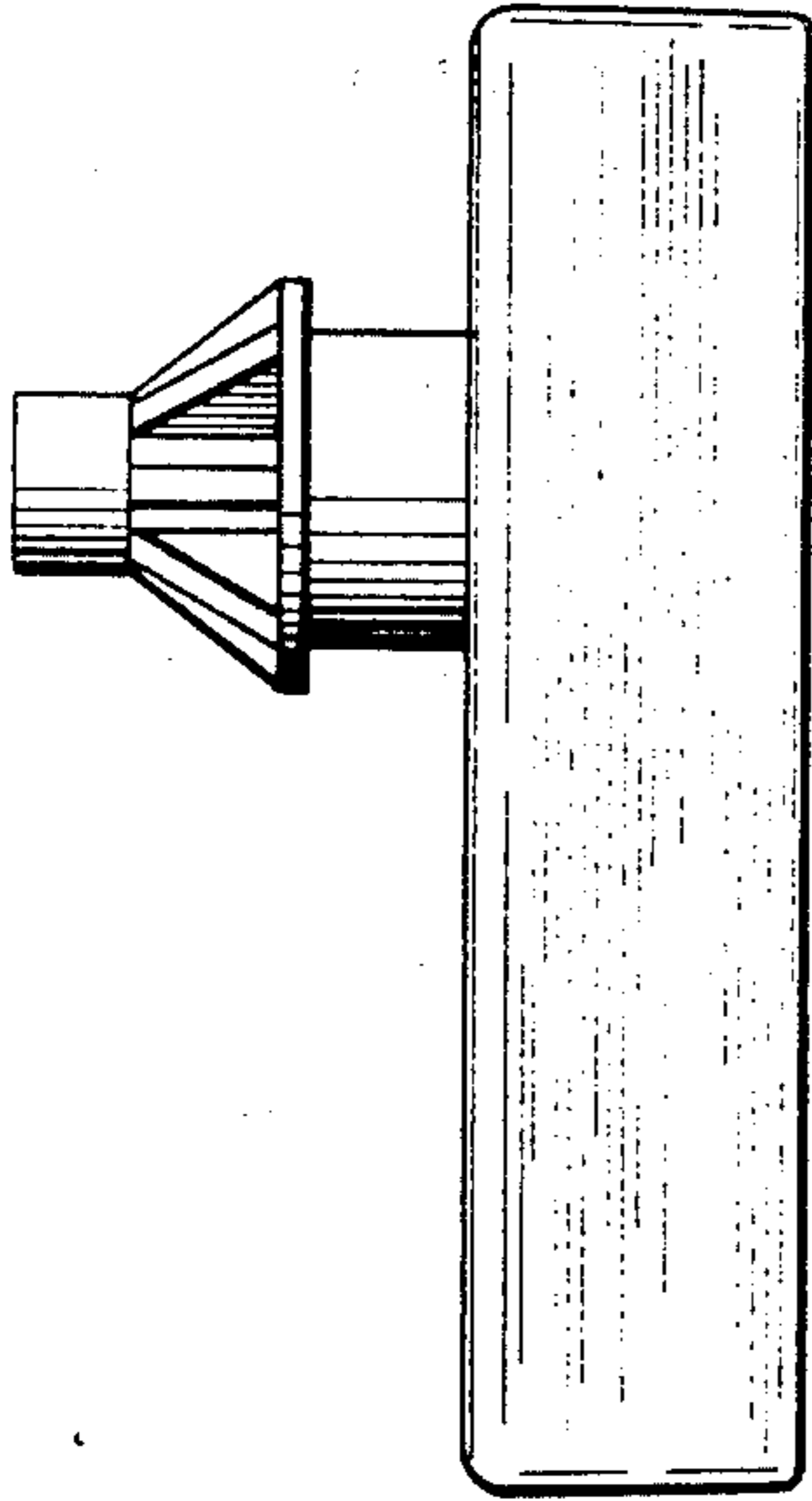


Fig. 2

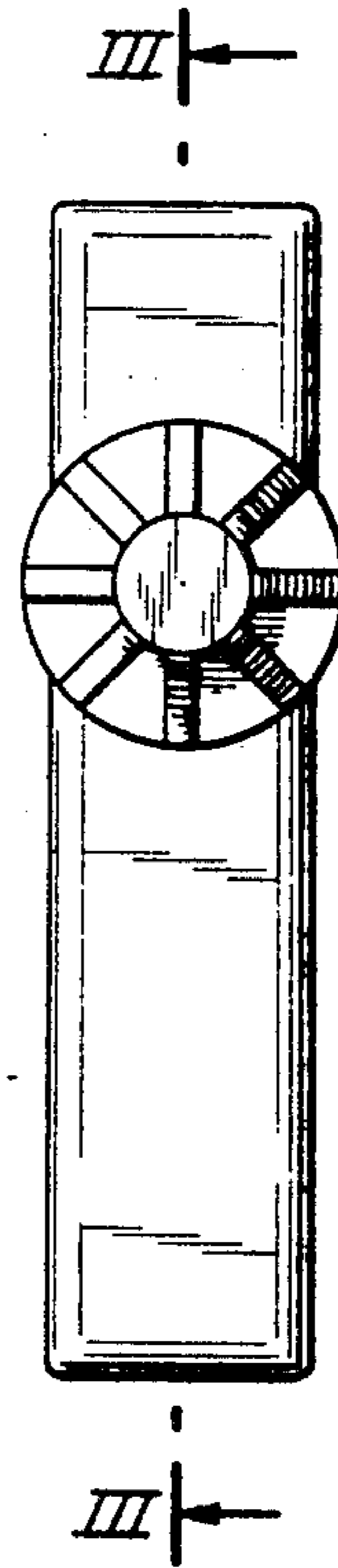


Fig. 3

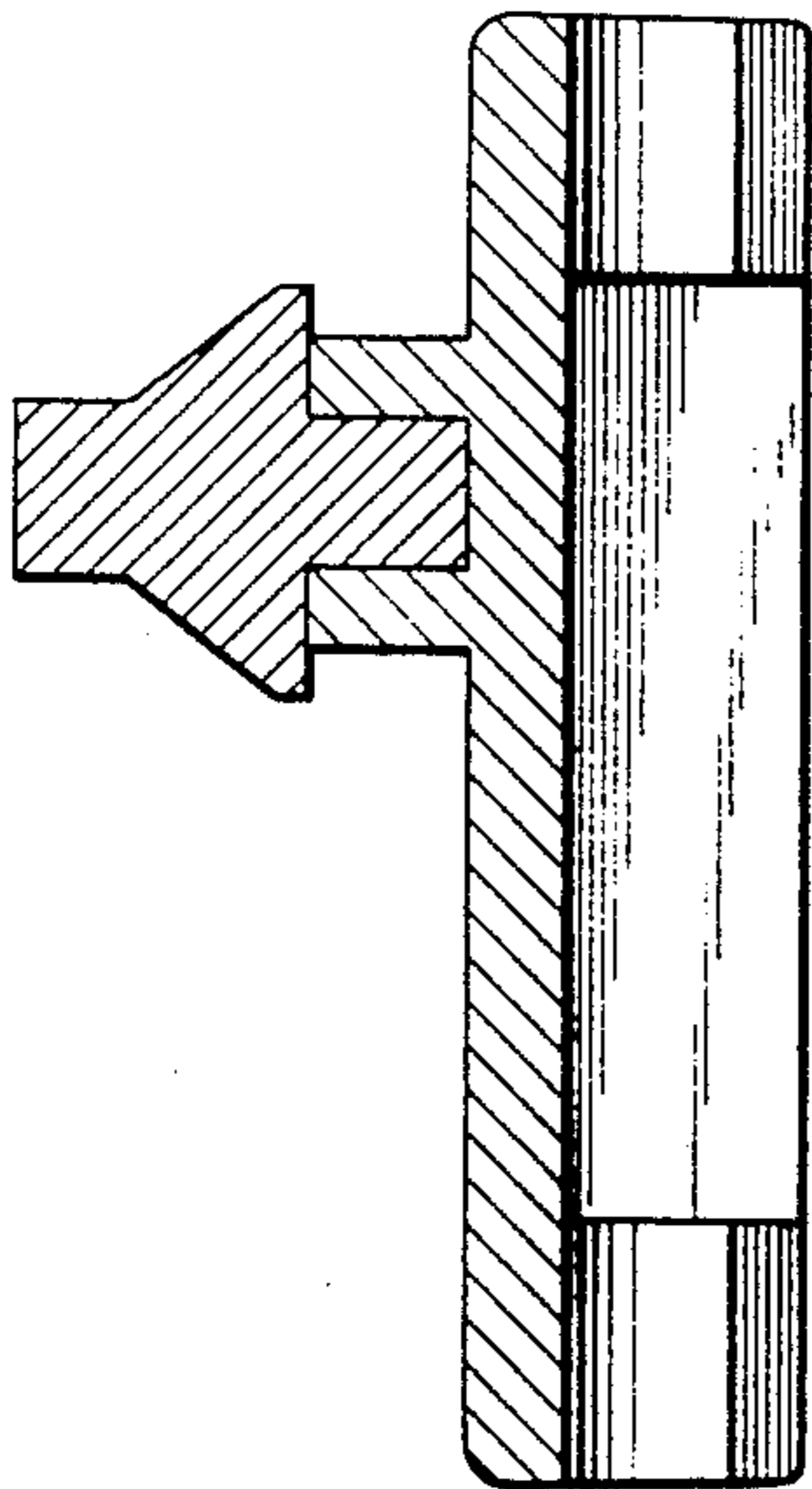
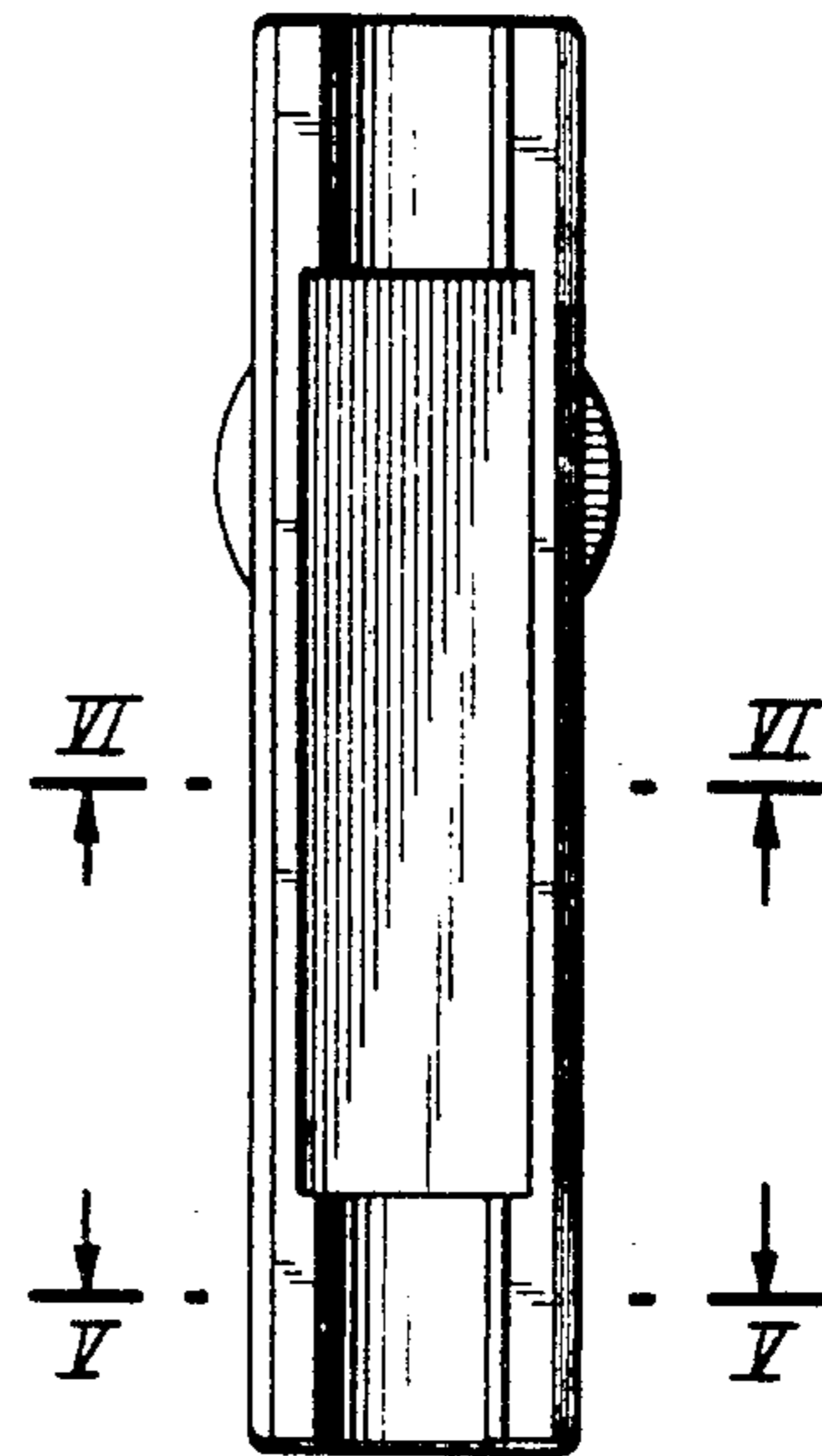


Fig. 4



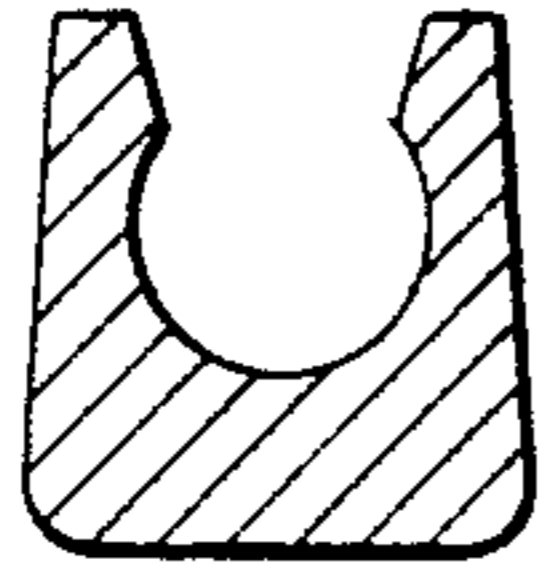


FIG. 5

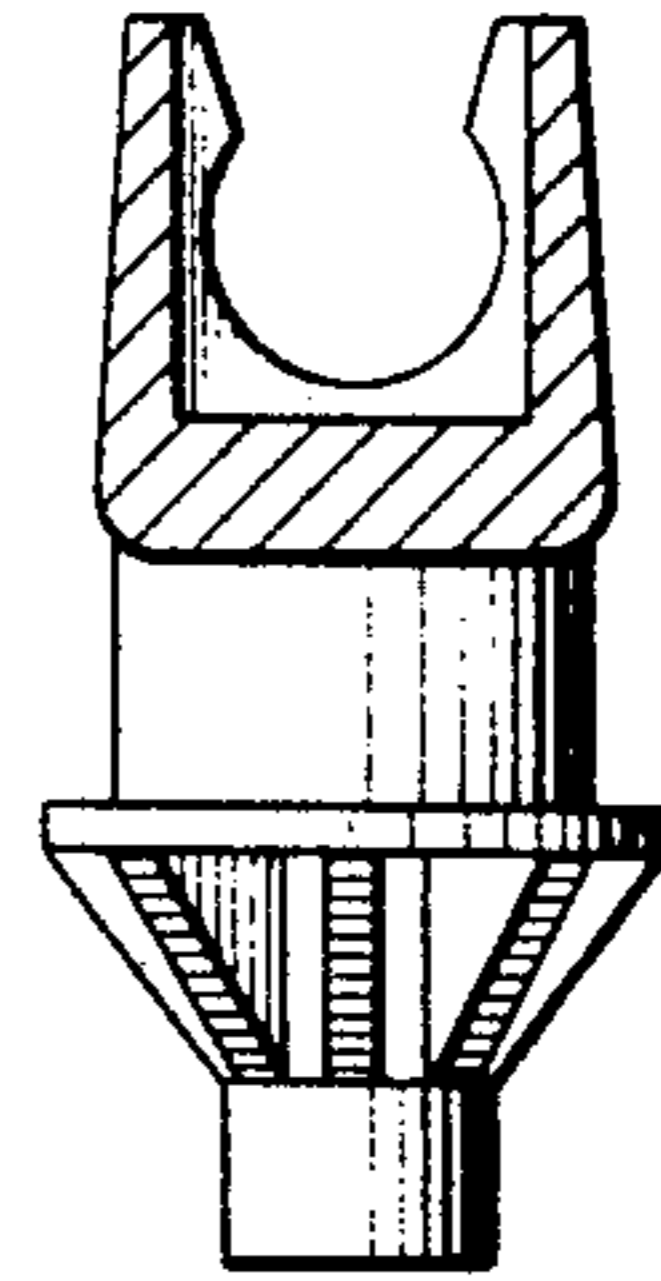


FIG. 6

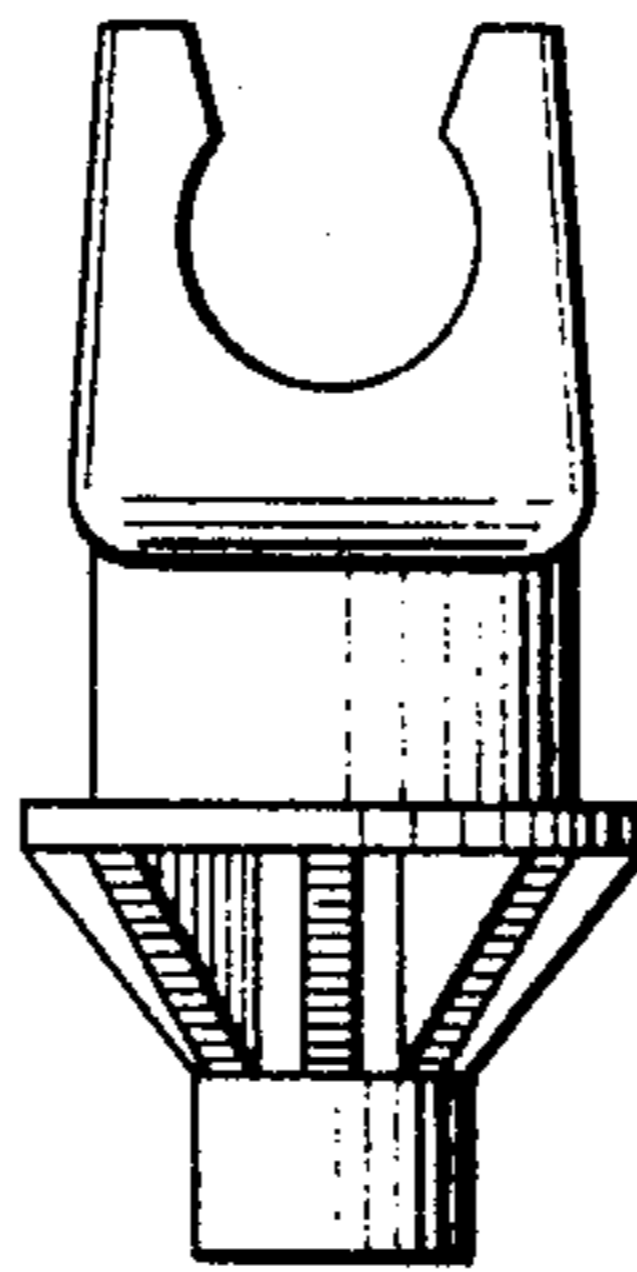


FIG. 7

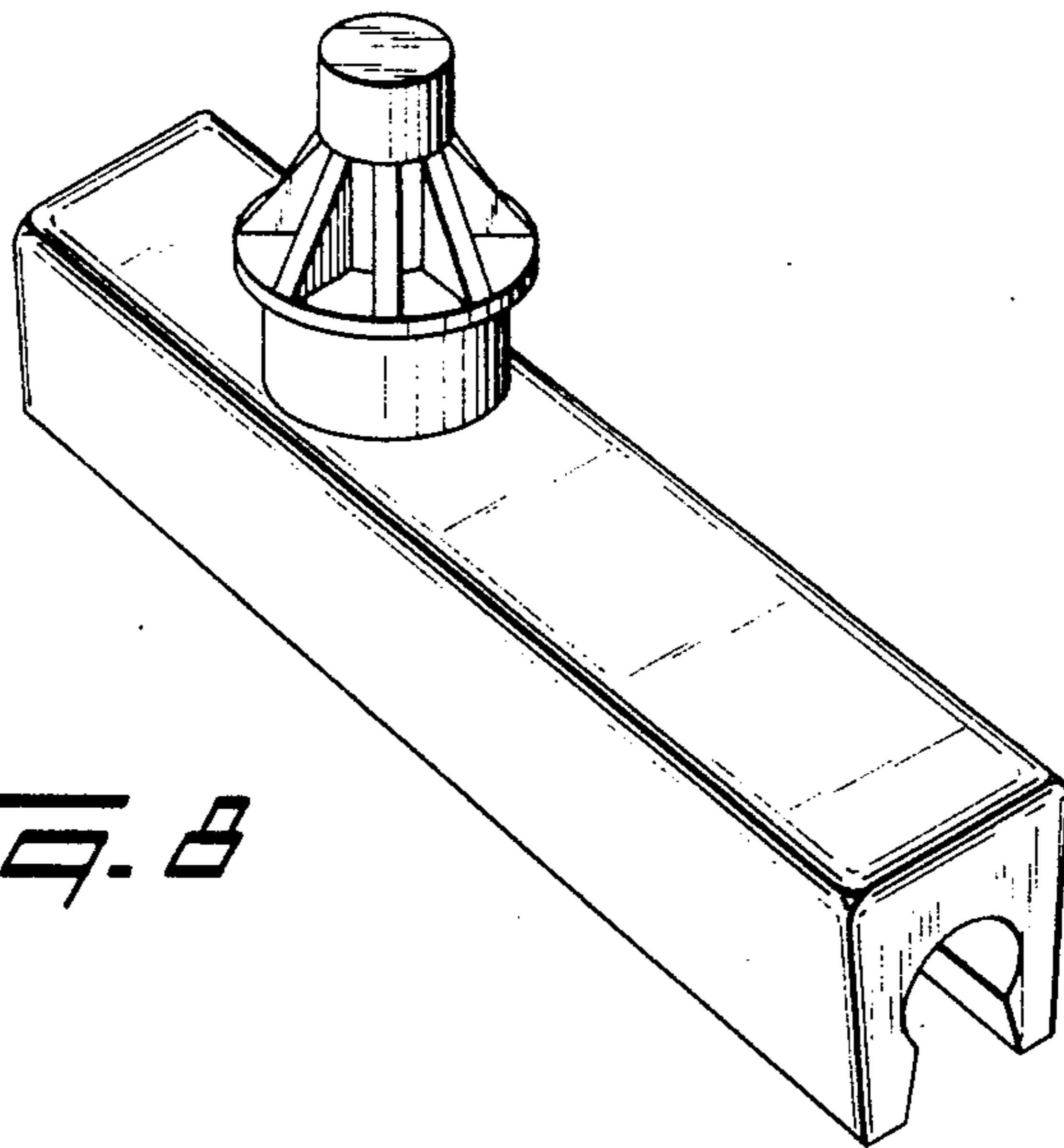


FIG. 8