

[54] MIXING MACHINE FOR SAUCES

[75] Inventor: Claude Viancin, Rumilly, France

[73] Assignee: Vivalp, Rumilly, France

[**] Term: 14 Years

[21] Appl. No.: 565,040

[22] Filed: Dec. 23, 1983

[30] Foreign Application Priority Data

Jun. 24, 1983 [FR] France 832581

[52] U.S. Cl. D7/379; D7/376

[58] Field of Search D7/381-386,
D7/376-379, 412; 241/92, 282.1, 282.2,
168-169.1, 37.5; 366/292, 279, 297, 205, 314

[56] References Cited

U.S. PATENT DOCUMENTS

D. 87,893 10/1932 Stroud D7/379
D. 118,225 12/1939 Barnes et al. D7/379

D. 207,407 4/1967 Rogenski D7/379
D. 211,484 6/1968 Le Sueur et al. D7/379
D. 261,892 11/1981 Huser D7/379
2,771,280 11/1956 Andis 241/282.1
3,224,743 12/1965 Freedman et al. D7/379 X

Primary Examiner—Bernard Ansher
Assistant Examiner—Linda Titolo
Attorney, Agent, or Firm—Roland Plottel

[57] CLAIM

The ornamental design for a mixing machine for sauces, as shown and described.

DESCRIPTION

FIG. 1 is a front elevational view of a mixing machine for sauces, showing my new design;
FIG. 2 is a left side elevational view thereof;
FIG. 3 is a top plan view thereof;
FIG. 4 is a rear elevational view thereof;
FIG. 5 is a bottom plan view thereof; and
FIG. 6 is a right side elevational view thereof.

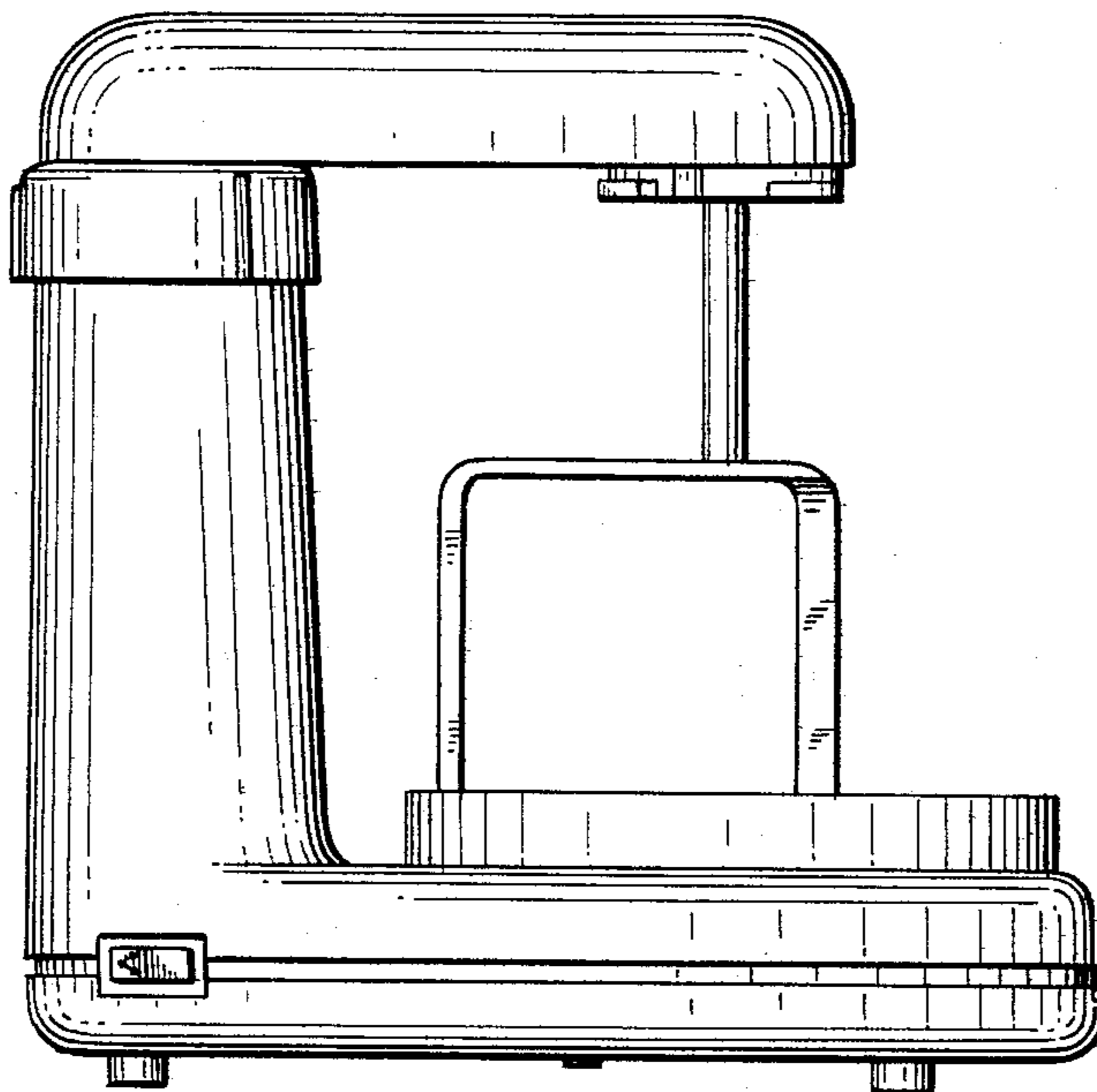


FIG. 1

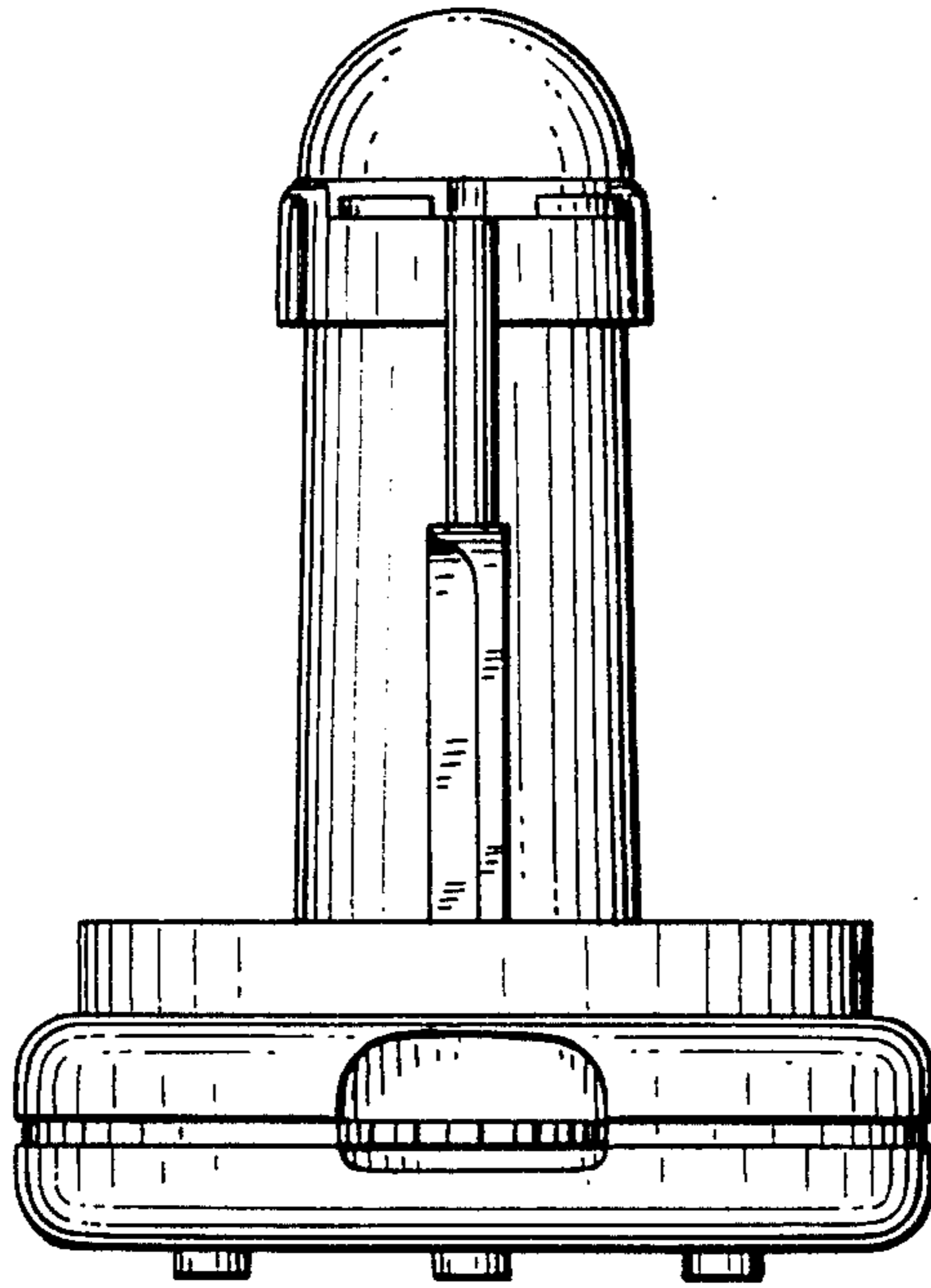


FIG. 2

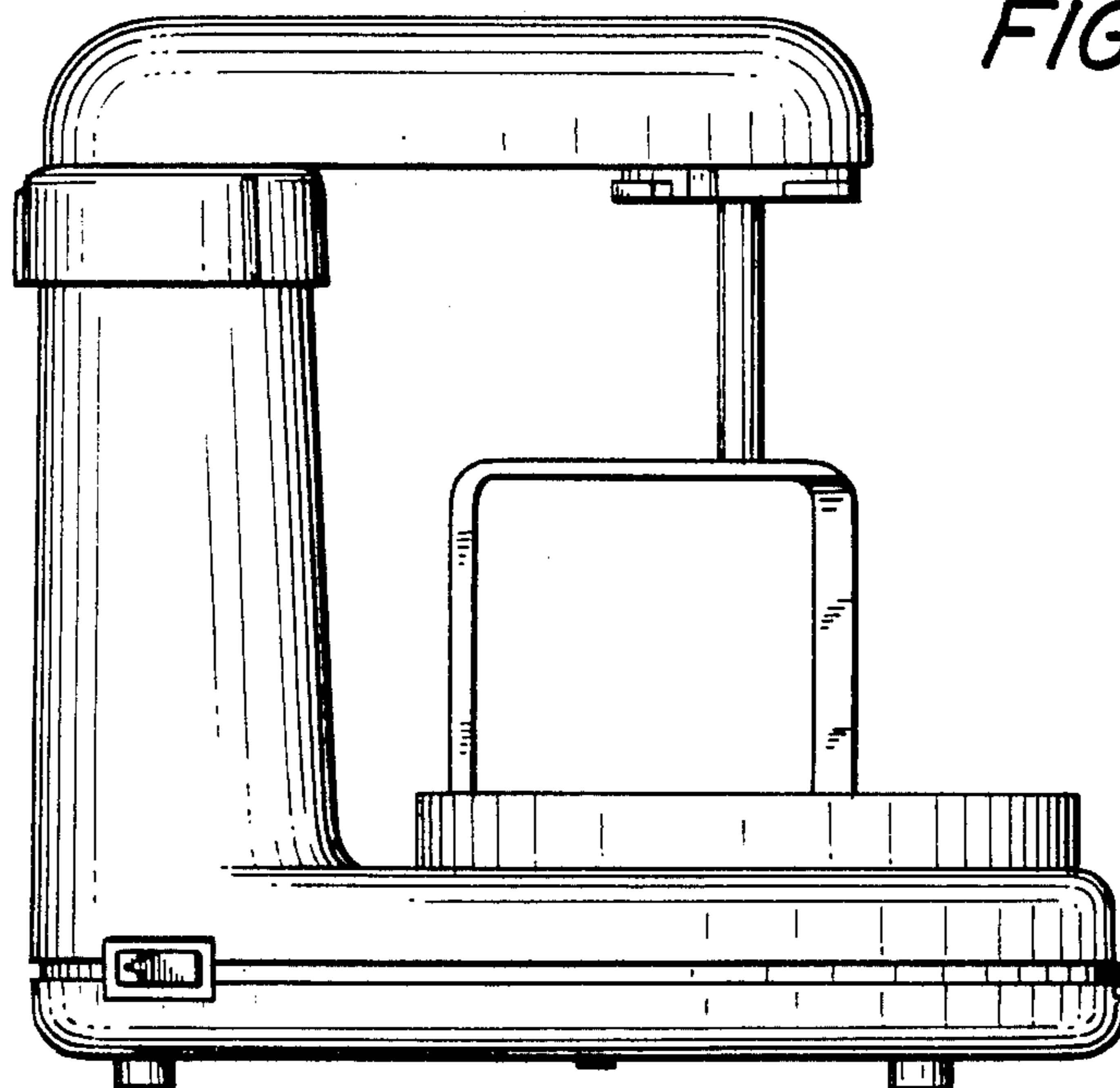


FIG. 3

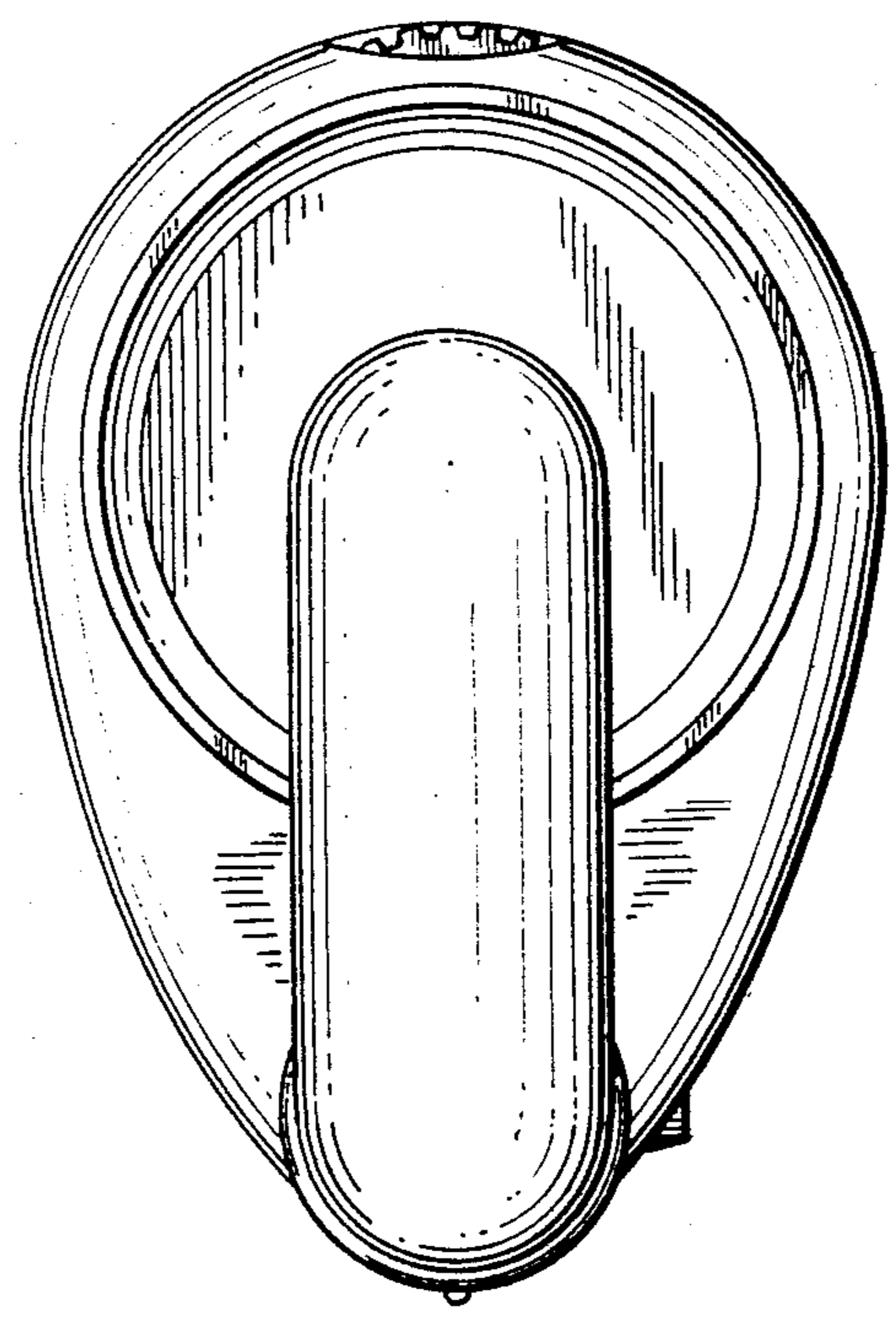


FIG. 4

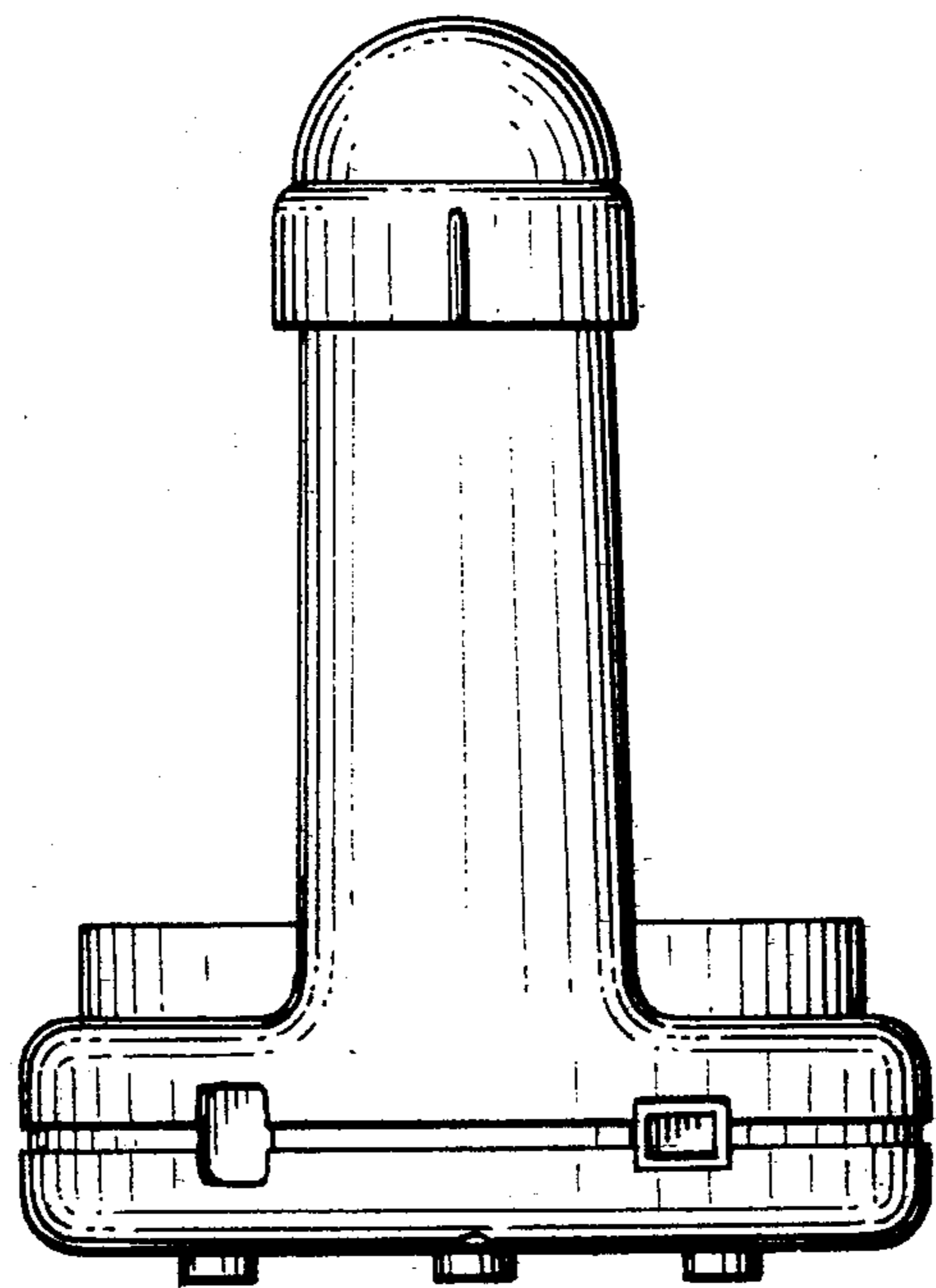


FIG. 5

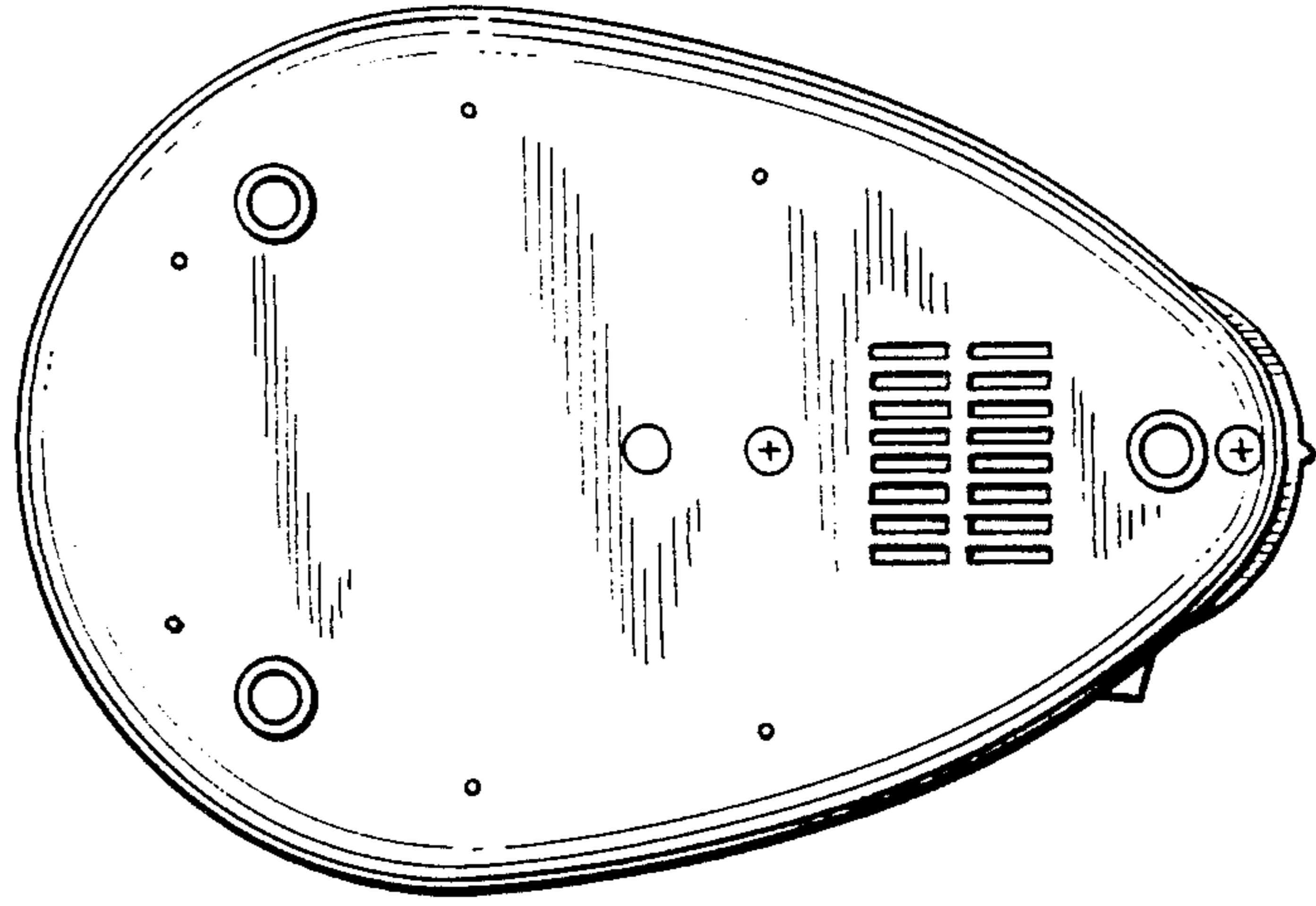


FIG. 6

