

[54] **GOBLET OR SIMILAR ARTICLE**

[75] Inventor: David H. Inns, Retford, England

[73] Assignee: Glass Bulbs Limited, Chesterfield, England

[\*\*] Term: 14 Years

[21] Appl. No.: 535,986

[22] Filed: Sep. 26, 1983

[30] **Foreign Application Priority Data**

May 12, 1983 [GB] United Kingdom ..... 1012993

[52] U.S. Cl. .... D7/13

[58] Field of Search ..... D7/11, 12, 13, 6, 14, D7/15, 22; D9/429

[56] **References Cited**

**U.S. PATENT DOCUMENTS**

- D. 75,439 6/1928 Loomis ..... D7/14 X
- D. 79,225 8/1929 Bottome ..... D7/13
- D. 104,703 5/1937 Sakier ..... D7/13
- D. 107,739 1/1938 Bell ..... D7/13
- D. 122,766 10/1940 Carlson ..... D7/13
- D. 126,360 4/1941 Cunningham ..... D7/13
- D. 236,405 8/1975 Thrush ..... D7/13

**OTHER PUBLICATIONS**

*Pitman-Dreitzer*, 1965 Catalog, P. 30, Handblown Stemware, top row "Saturn" Goblets, Ruby Color Bowl With Crystal Twisted Stem.

*Libbey Glassware For The Food Service Industry*, Catalog, pp. 8, 9, "Embassy Stemware", All Rounded Goblet Bowls.

Primary Examiner—Winifred E. Herrmann

Attorney, Agent, or Firm—Fleit, Jacobson, Cohn & Price

[57] **CLAIM**

The ornamental design for a goblet or similar article, as shown and described.

**DESCRIPTION**

FIG. 1 is a side elevational view of a goblet or similar article showing my new design in the size and proportions of an old-fashioned goblet;

FIG. 2 is a top view thereof;

FIG. 3 is a sectional view on an enlarged scale taken along line 3—3 of FIG. 1;

FIG. 4 is a side elevational view of a goblet or similar article showing my new design in the size and proportions of a champagne goblet;

FIG. 5 is a top view thereof;

FIG. 6 is a sectional view on an enlarged scale taken along line 6—6 of FIG. 4;

FIG. 7 is a side elevational view of a goblet or similar article showing my new design in the size and proportions of a wine goblet;

FIG. 8 is a top view thereof;

FIG. 9 is a sectional view on an enlarged scale taken along line 9—9 of FIG. 6;

FIG. 10 is a side elevational view of a goblet or similar article showing my new design in the size and proportions of a snifter;

FIG. 11 is a top view thereof;

FIG. 12 is a sectional view on an enlarged scale taken along line 12—12 of FIG. 10;

FIG. 13 is a side elevational view of a goblet or similar article showing my new design in the size and proportions of a water goblet;

FIG. 14 is a top view thereof; and

FIG. 15 is a sectional view on an enlarged scale taken along line 15—15 of FIG. 13.

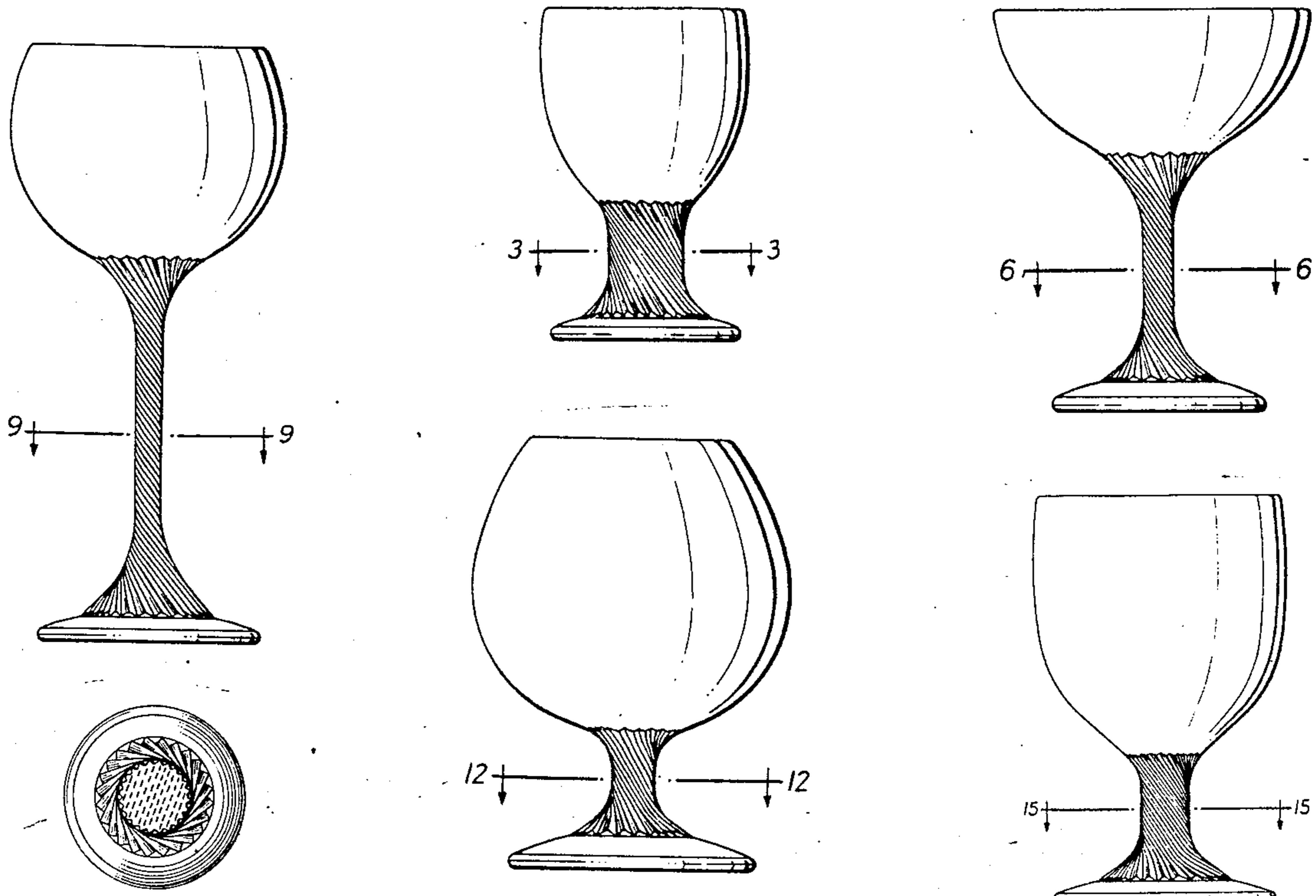


FIG. 1

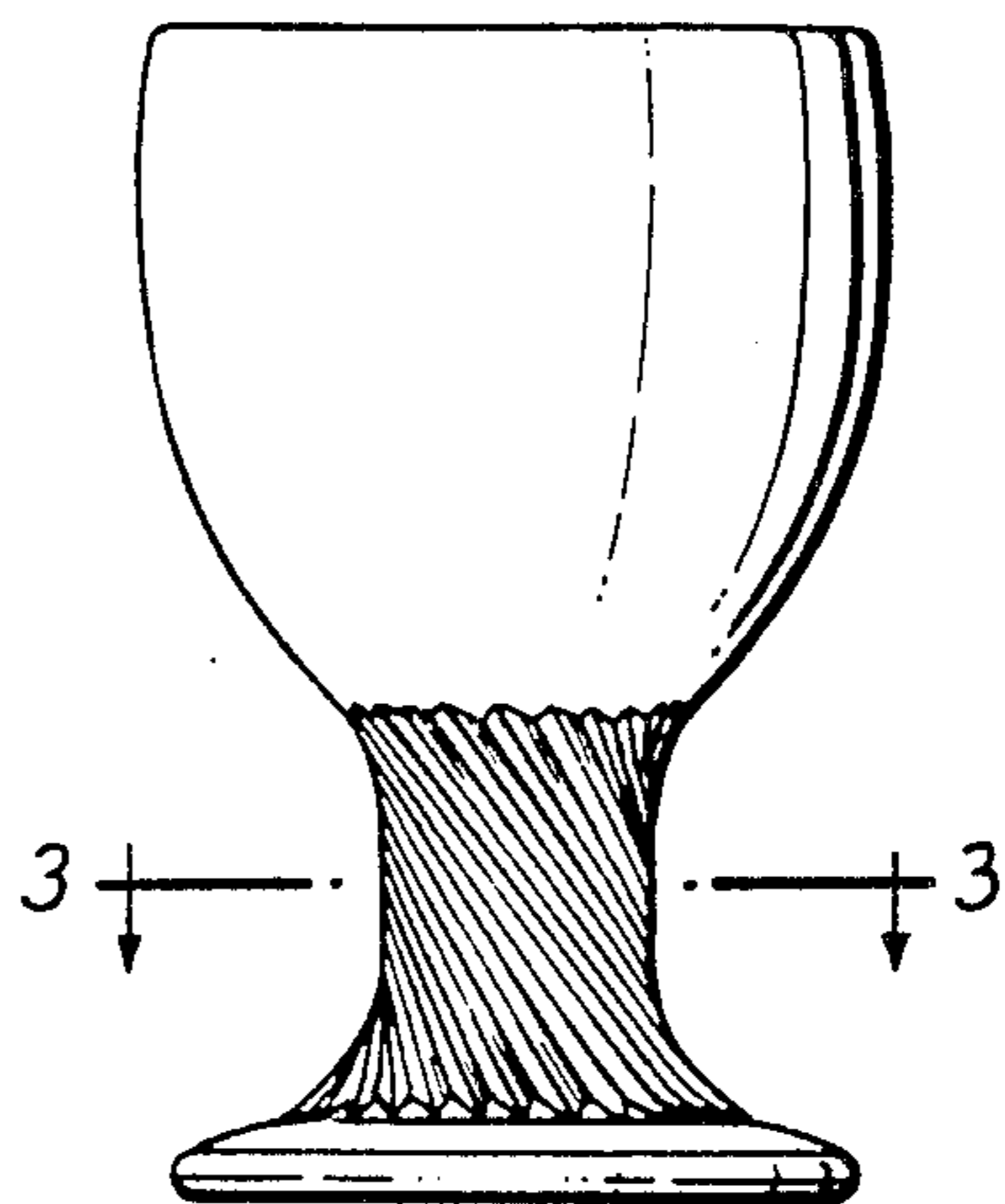


FIG. 2

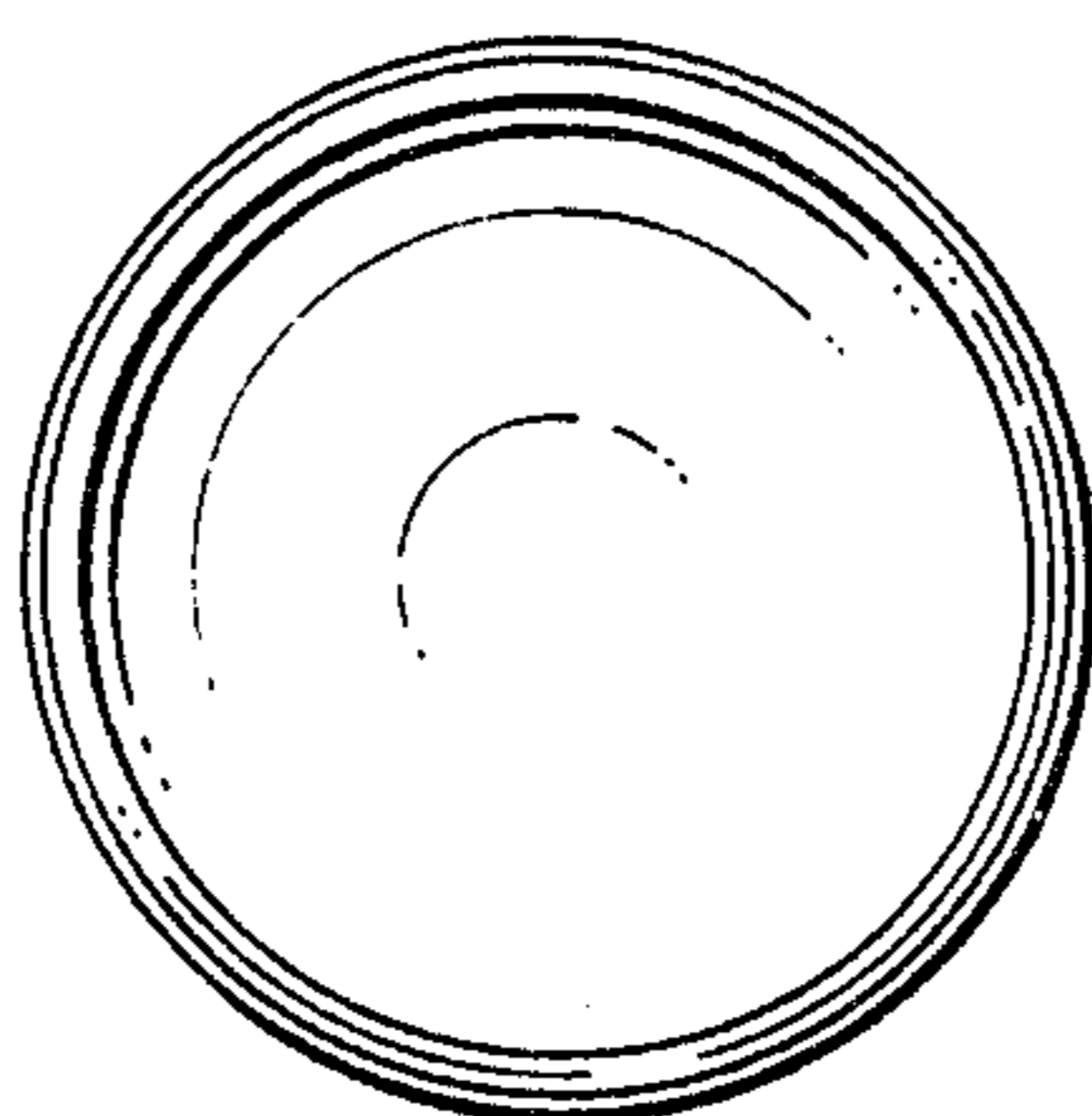


FIG. 3

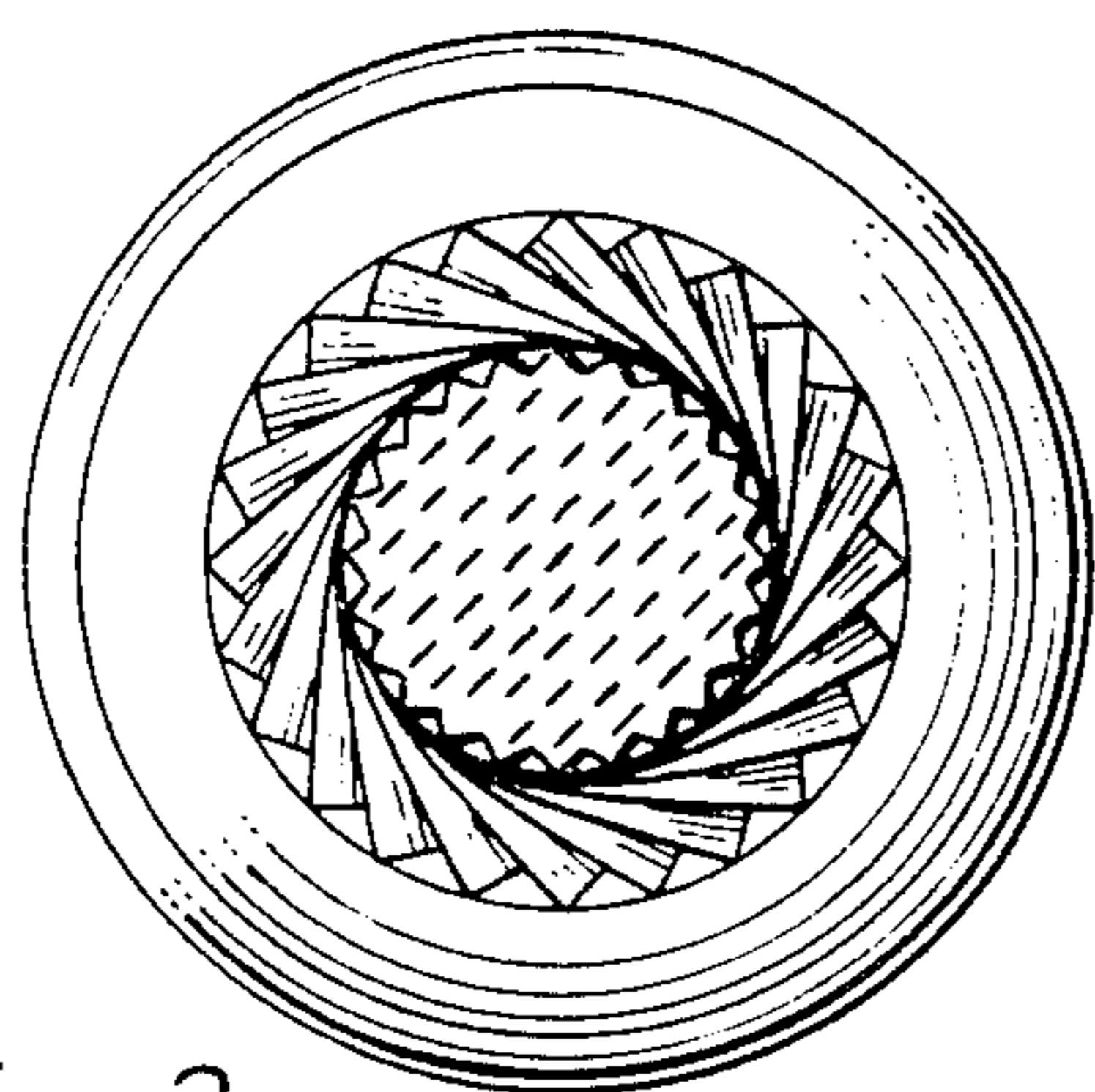


FIG. 12

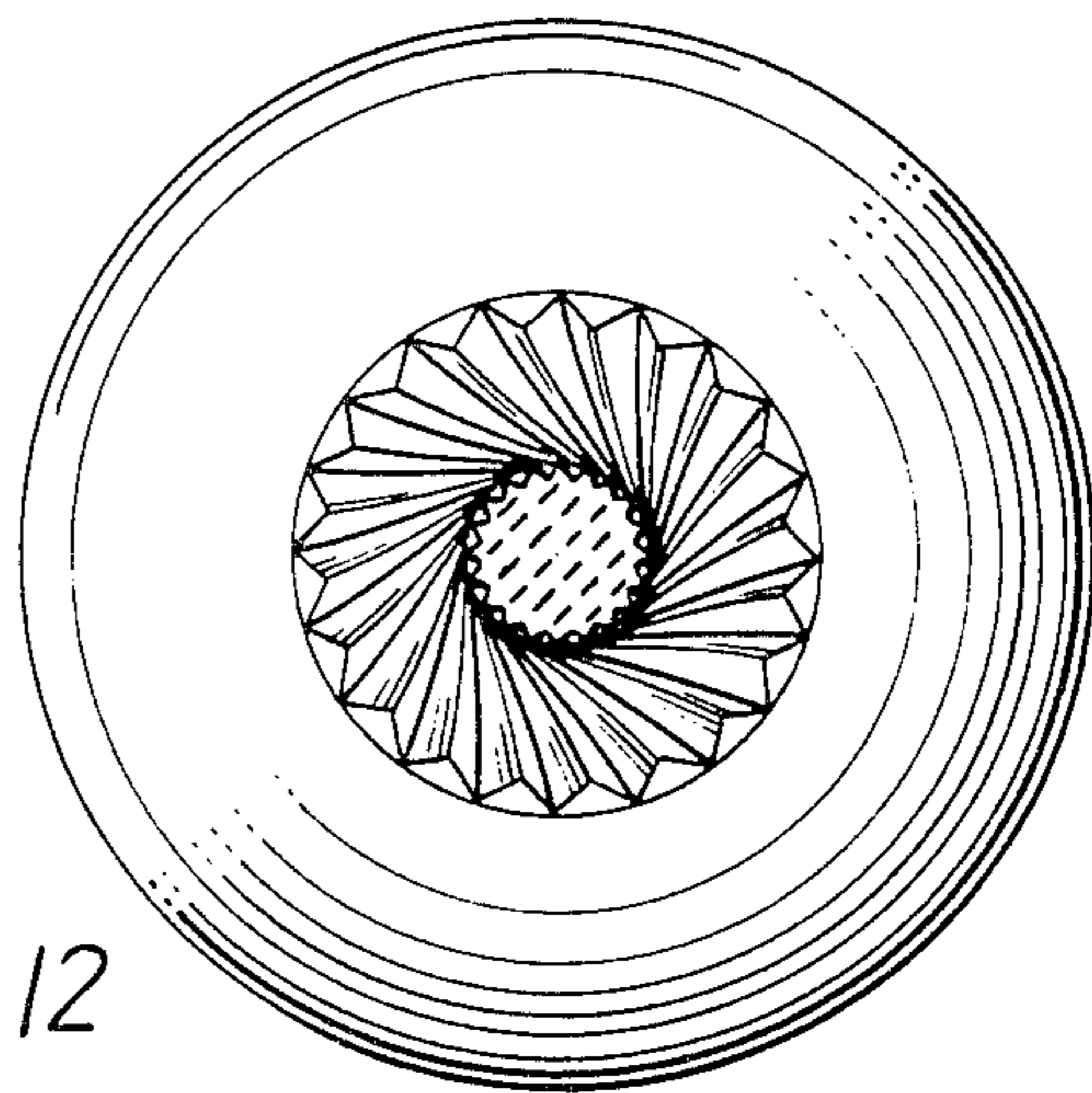


FIG. 4

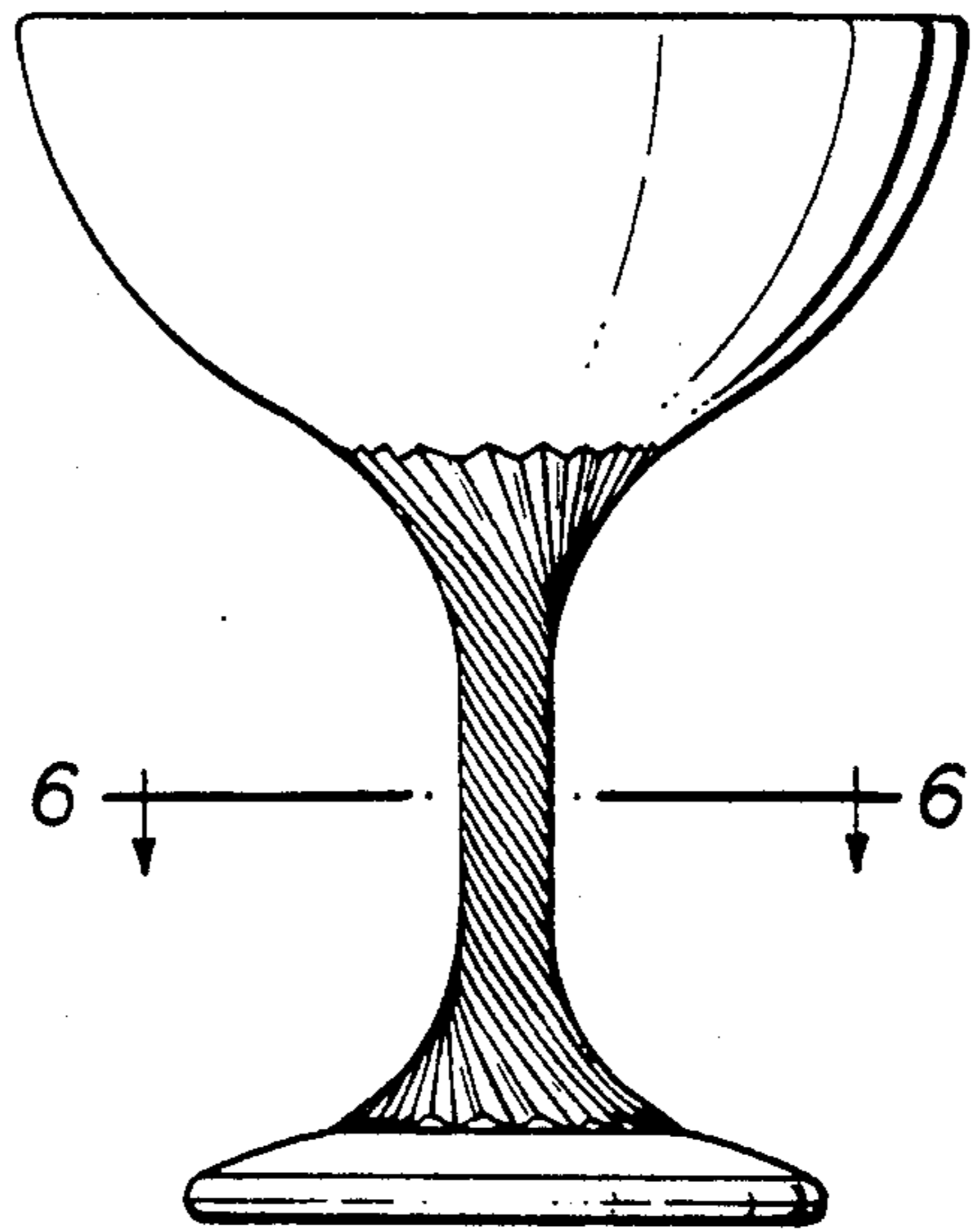


FIG. 5

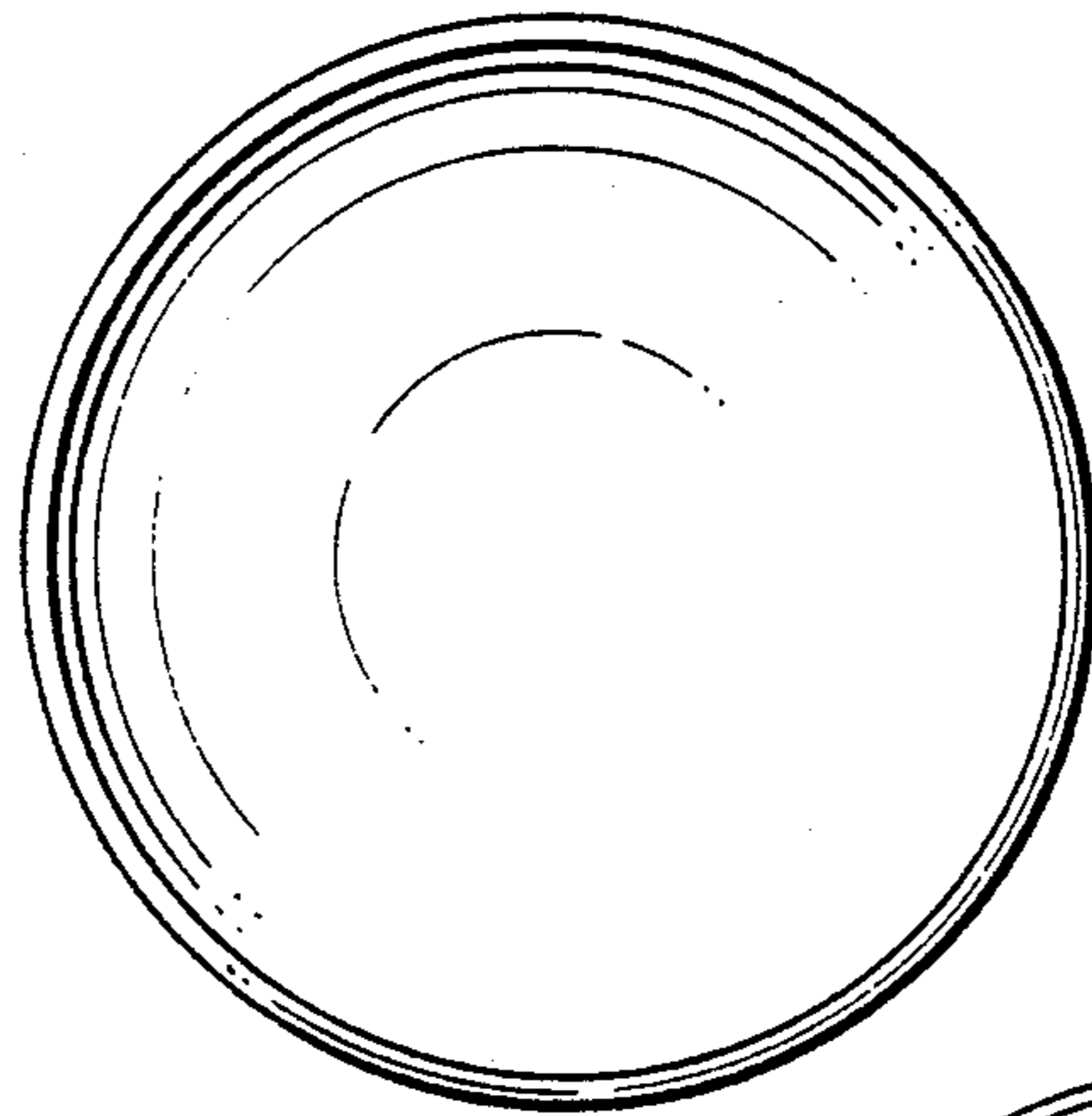
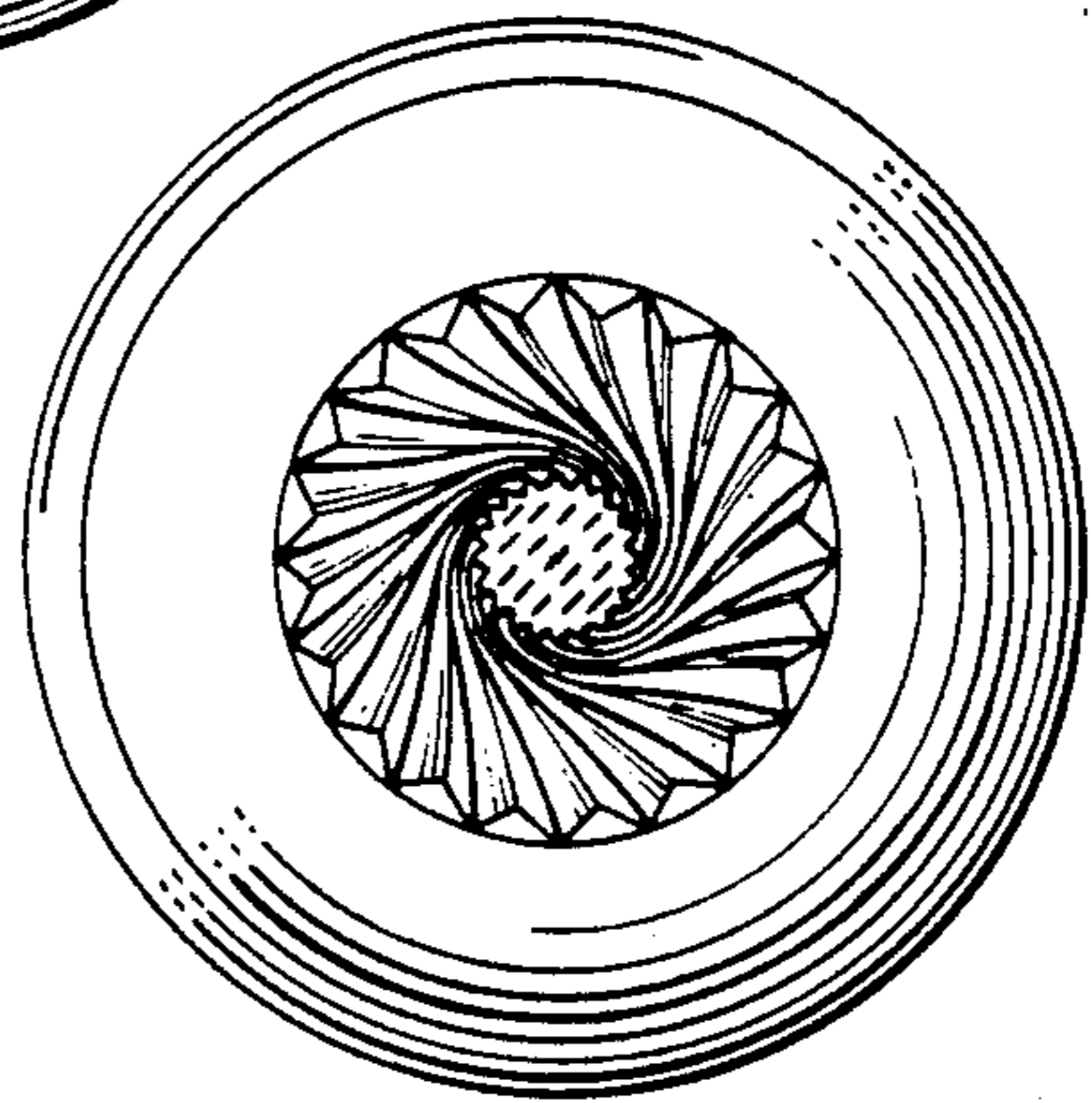


FIG. 6



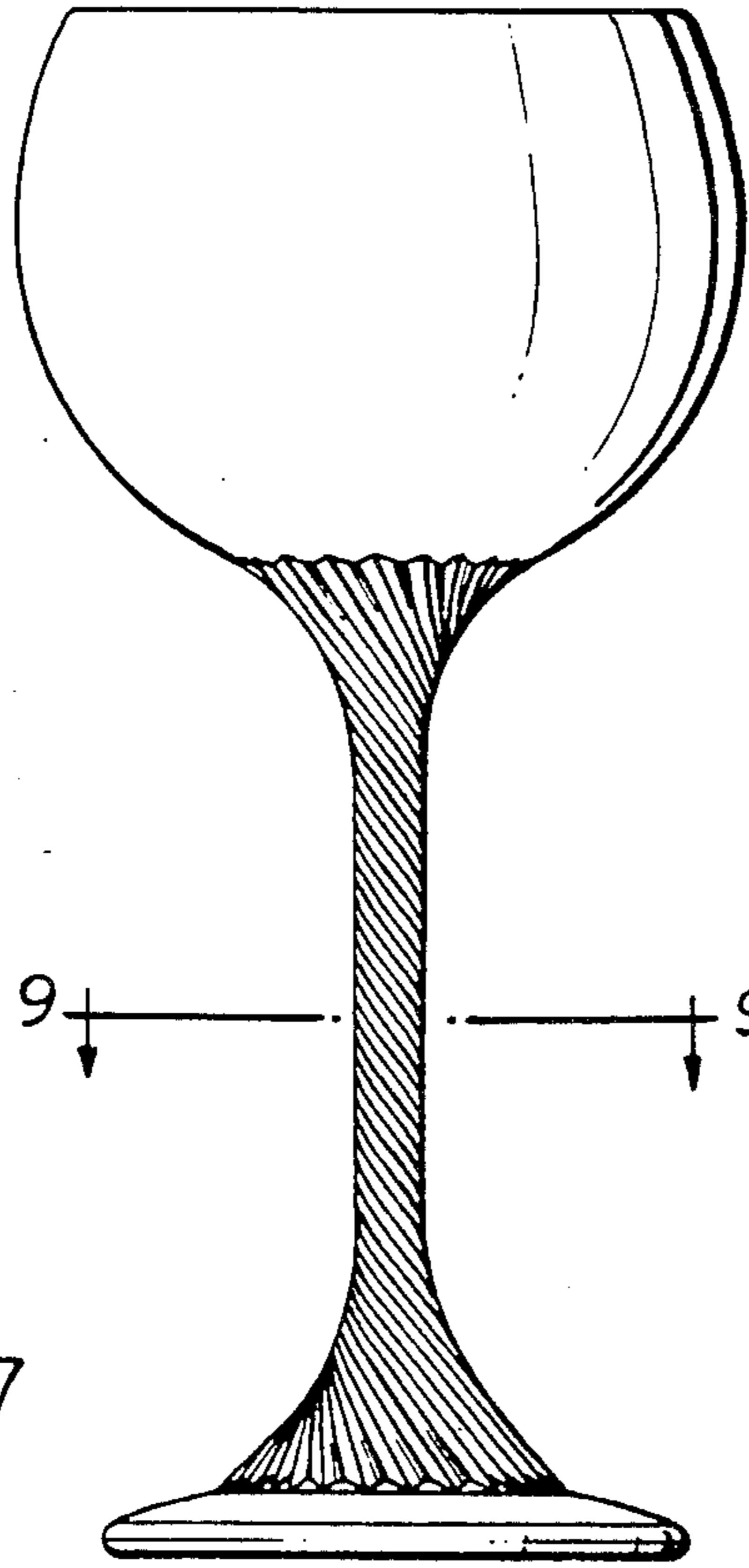


FIG. 7

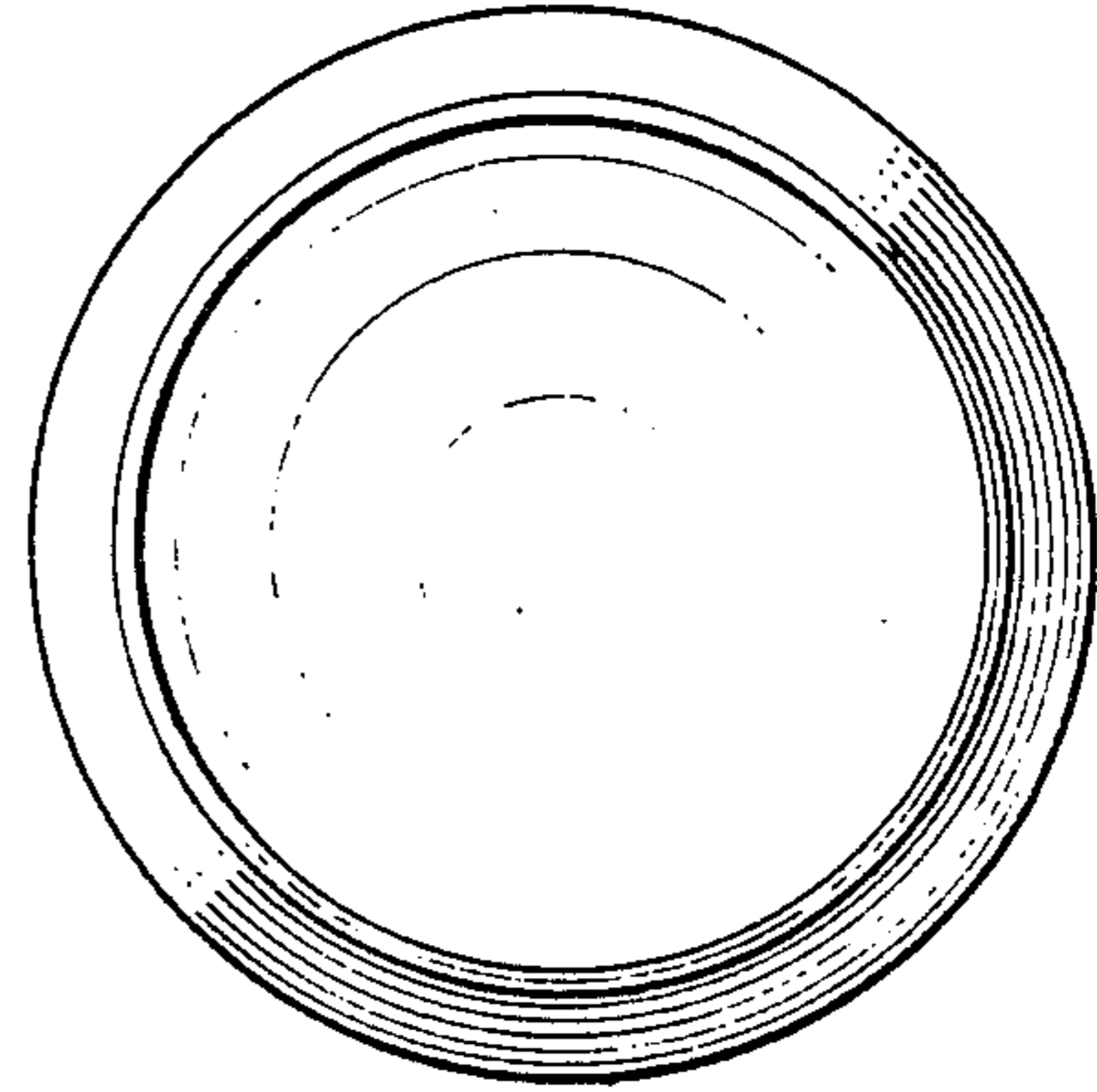


FIG. 8

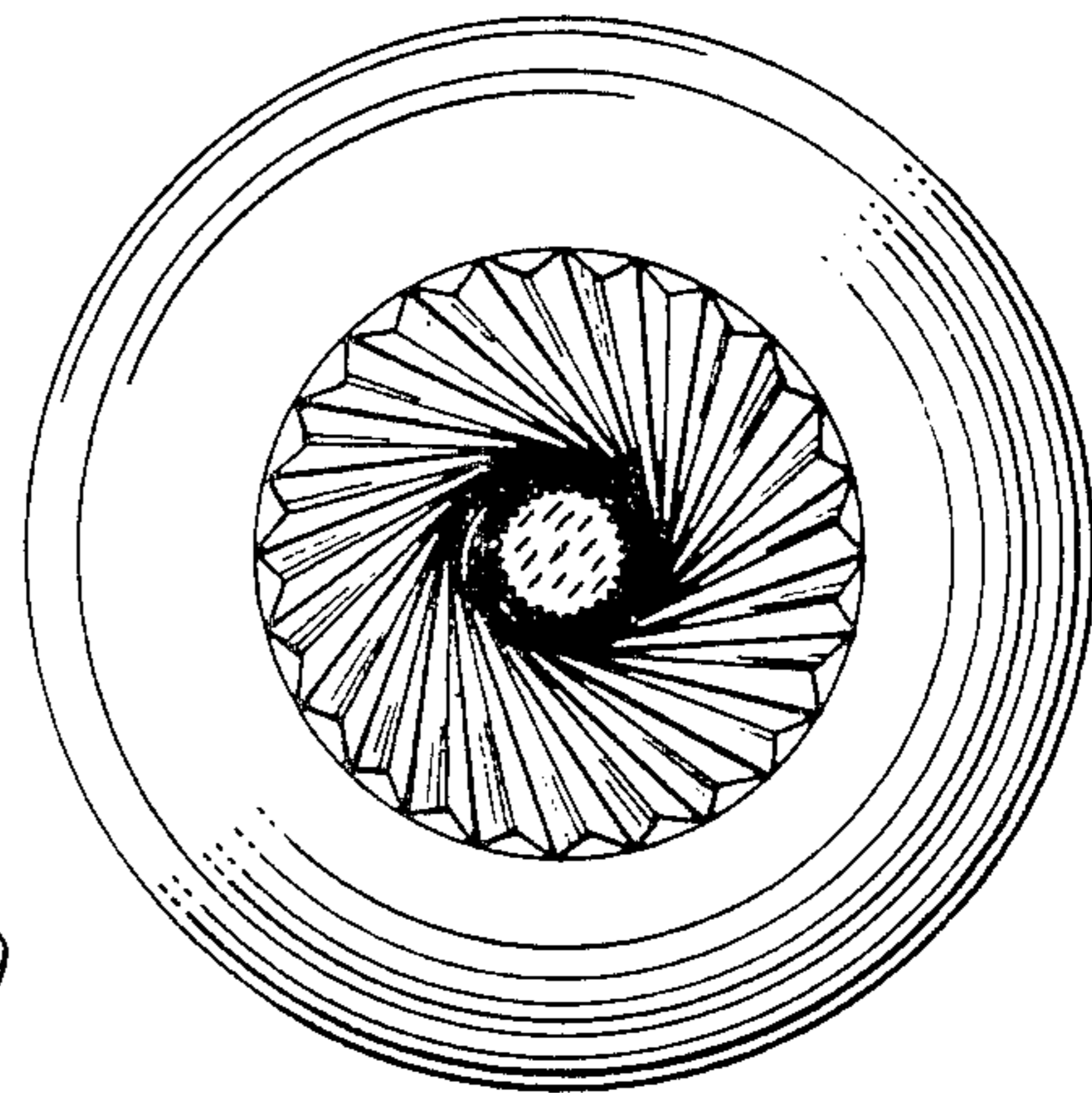
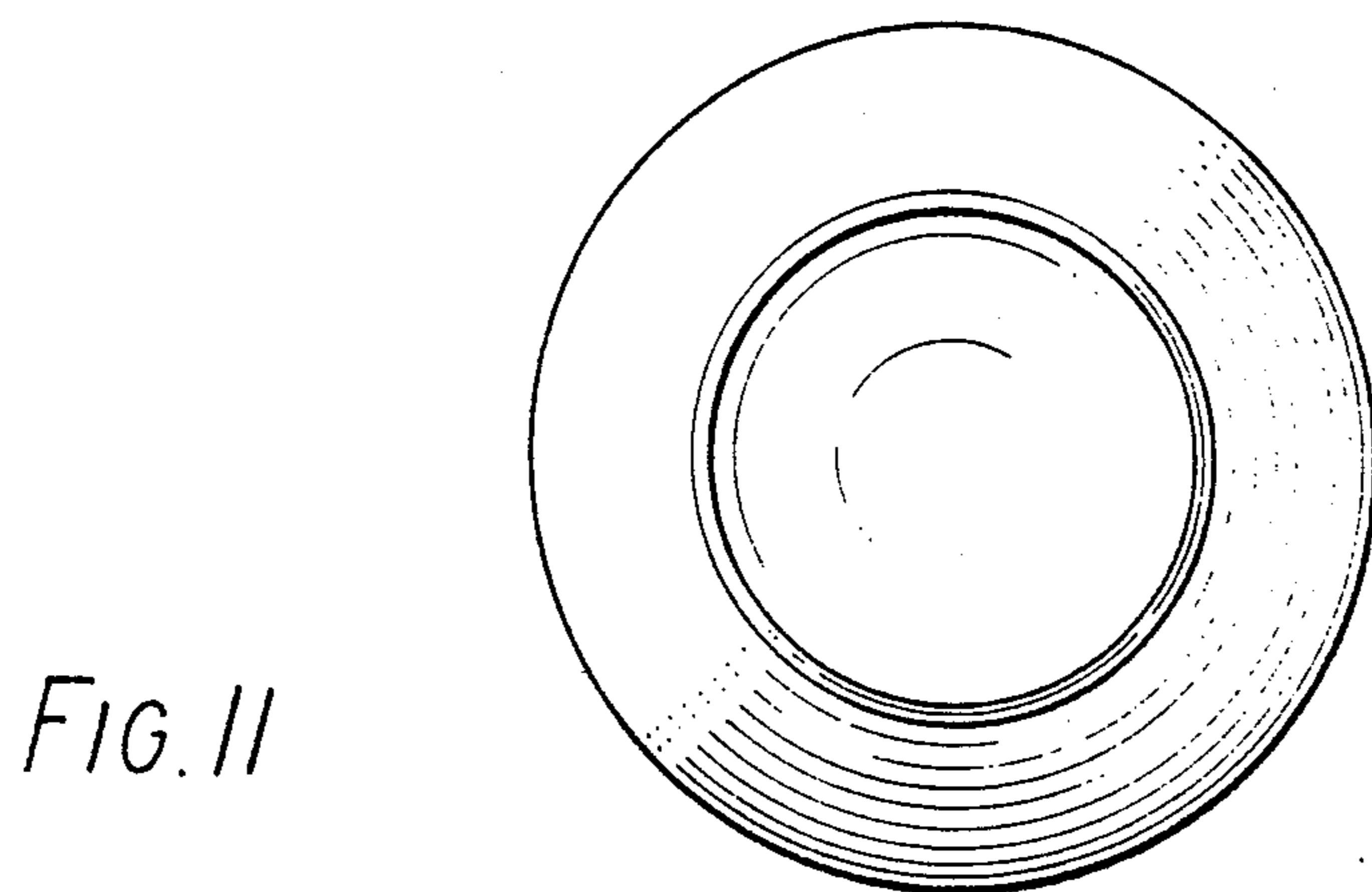
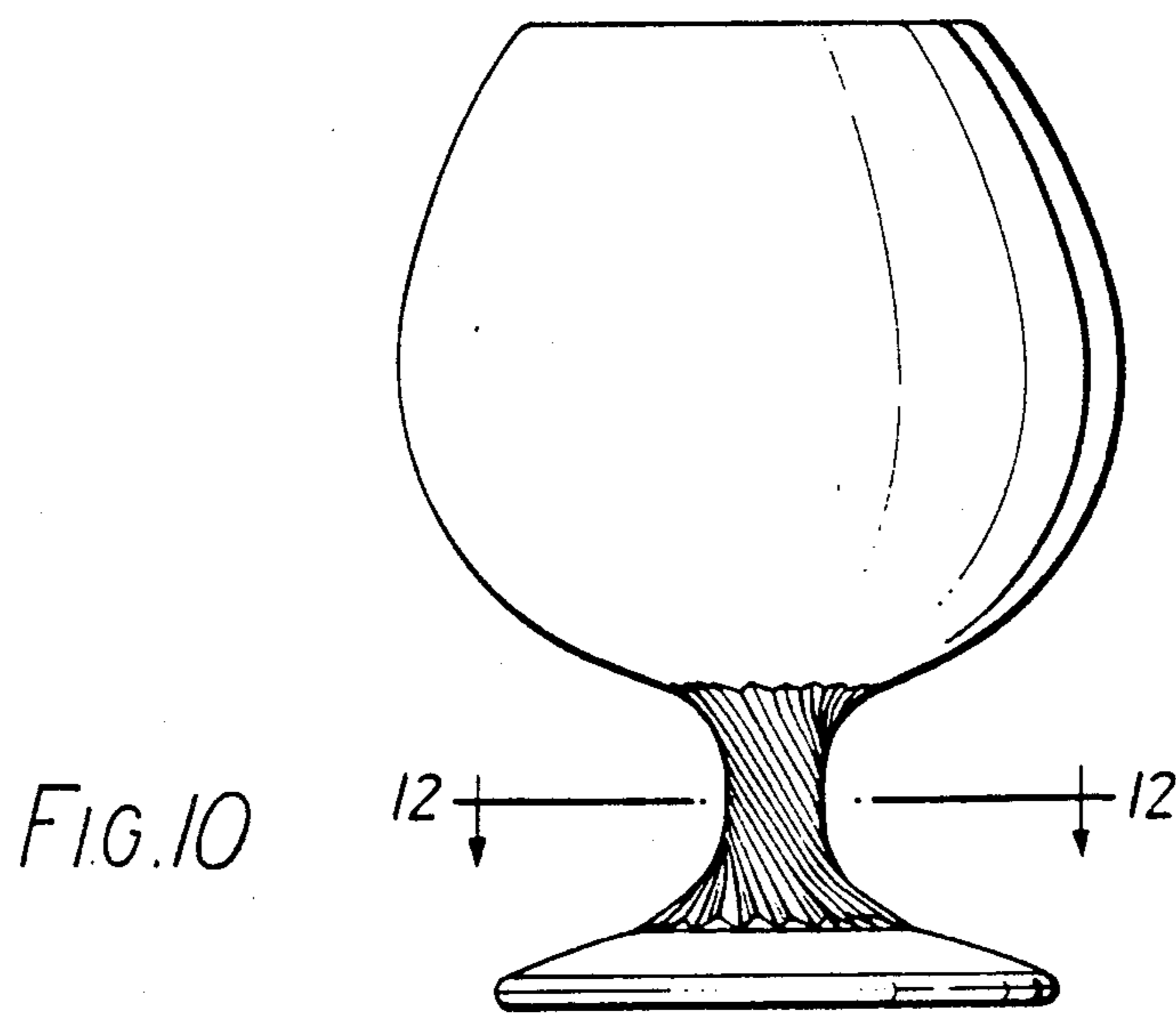


FIG. 9



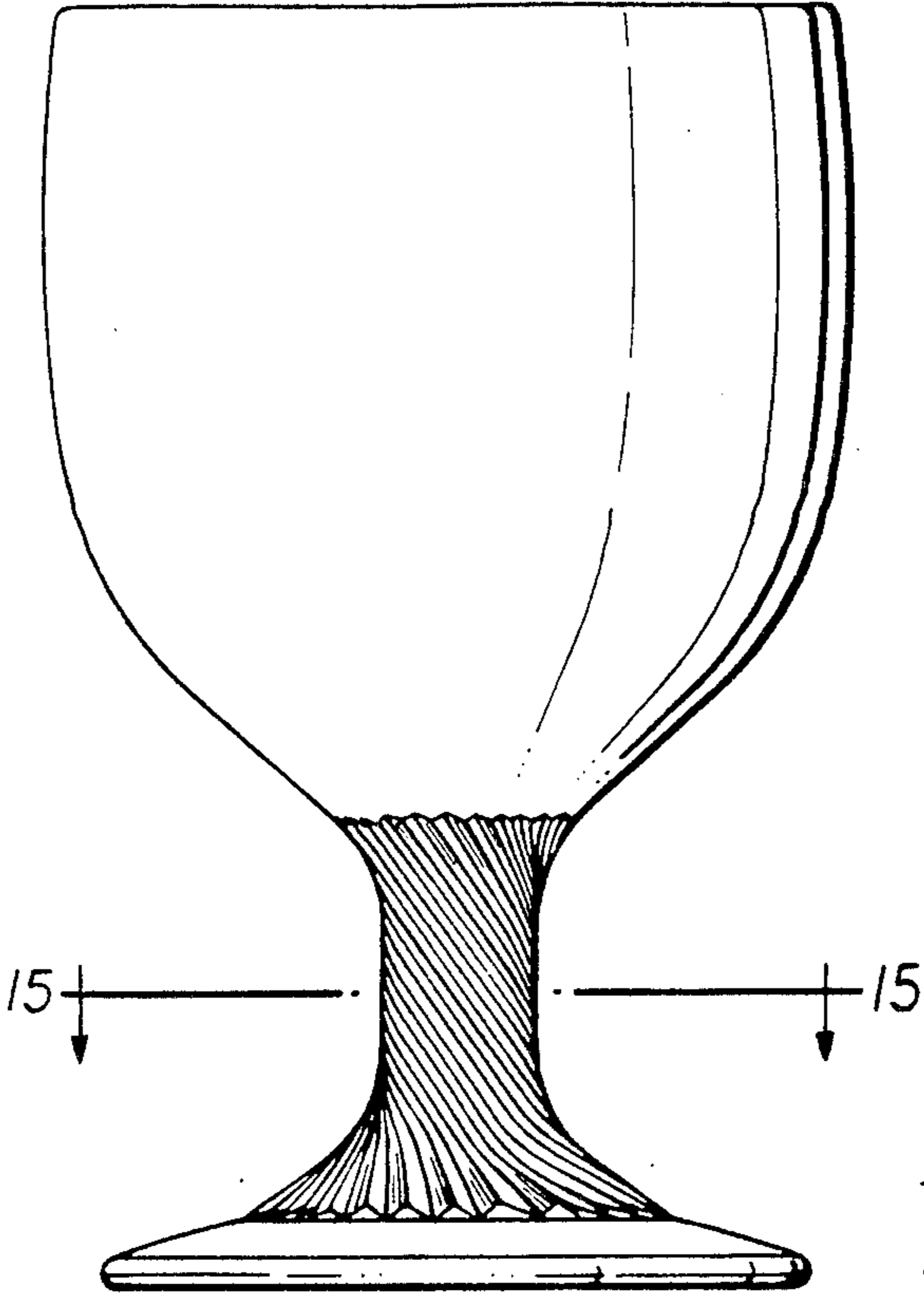


FIG. 13

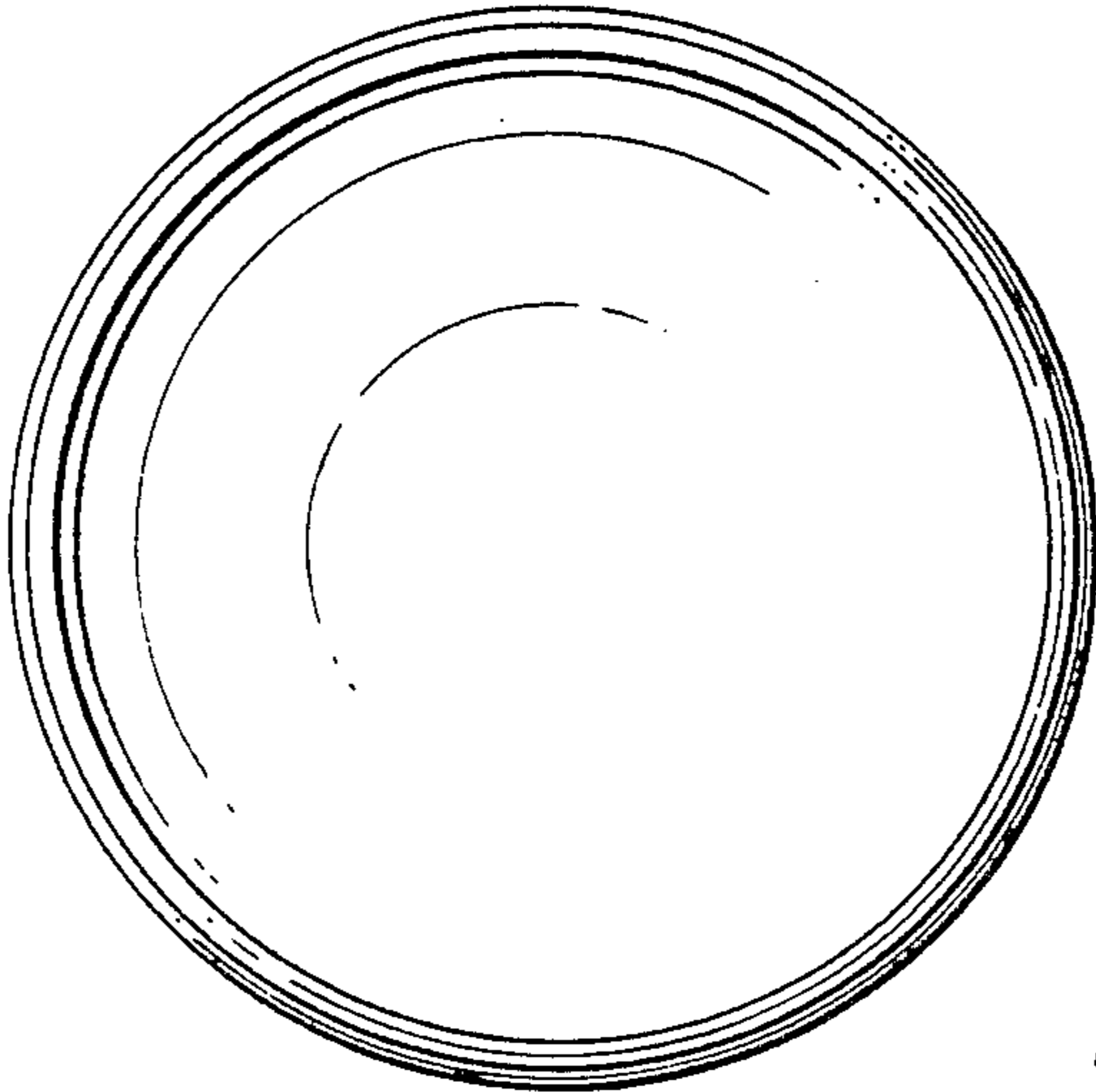


FIG. 14

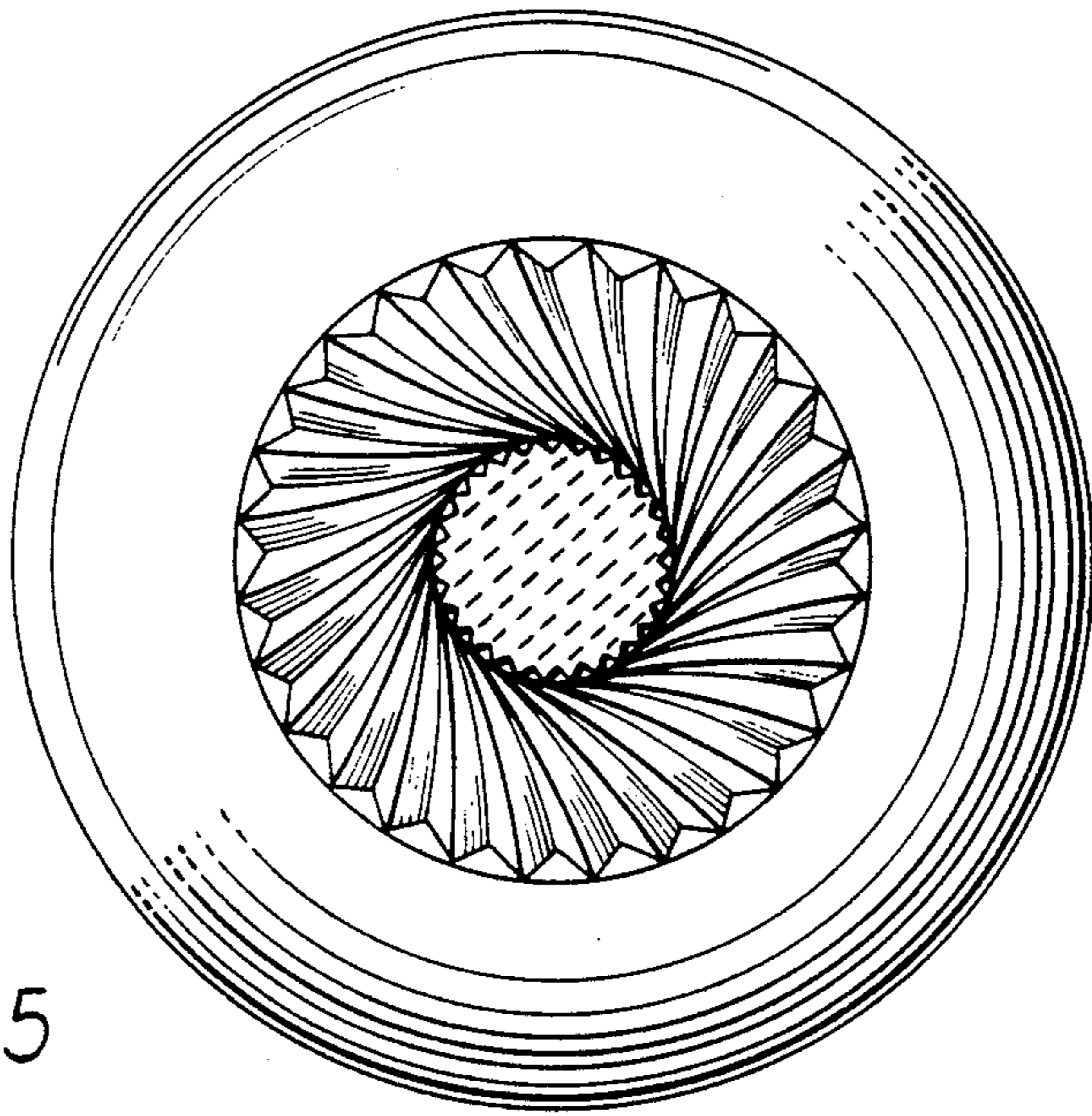


FIG. 15