

[54] SHELF

[75] Inventor: Irwin J. Ferdinand, Glencoe, Ill.

[73] Assignee: Hirsh Company, Skokie, Ill.

[**] Term: 14 Years

[21] Appl. No.: 554,307

[22] Filed: Nov. 22, 1983

[52] U.S. Cl. D6/511

[58] Field of Search D6/471, 472, 473, 475, D6/476, 477, 478, 479, 481, 511; 312/257 A; 211/134, 135, 148, 153; D25/74

[56] References Cited

U.S. PATENT DOCUMENTS

- D. 192,113 1/1962 Anderson D6/511 X
- D. 235,955 7/1975 Shelley, Jr. D6/481 X
- D. 247,762 4/1978 Lenoir D6/479 X
- D. 255,195 6/1980 Smith D6/511
- D. 270,188 8/1983 Whitehouse .
- D. 270,288 8/1983 Smith .
- D. 272,306 1/1984 Kennedy D6/481
- 2,417,961 3/1947 Wiley .
- 2,564,386 8/1951 Webb .
- 2,705,820 4/1955 Torrence .
- 3,100,460 8/1963 McElroy 211/135 X
- 3,416,282 12/1968 Daugherty .
- 3,428,385 2/1969 Scott .
- 3,456,409 7/1969 Piget .

- 3,765,344 10/1973 Ferdinand et al. 211/135 X
- 3,820,299 6/1974 Verholt .
- 4,242,848 1/1981 Shoultz .
- 4,413,033 11/1983 Weichman .

OTHER PUBLICATIONS

Plastic Process Company Sheet (p. 32).
 Anchor Plastics Design Guide, 2nd Edition, Copyright 1960, p. 28.
 Sweet's Product Design Catalog File, 1963 Section 2d/IN, p. 2.
 Primary Examiner—Bruce W. Dunkins
 Attorney, Agent, or Firm—Dressler, Goldsmith, Shore, Sutker & Milnamow, Ltd.

[57] CLAIM

The ornamental design for a shelf, substantially as shown and described.

DESCRIPTION

FIG. 1 is a front elevational view of a shelf showing my new design;
 FIG. 2 is a rear elevational thereof;
 FIG. 3 is a right side elevational view thereof, the left side elevational view thereof being a mirror image; and
 FIG. 4 is a perspective view taken from the top at the right side front corner of the shelf, the shelf having the same appearance when viewed in perspective from the bottom.

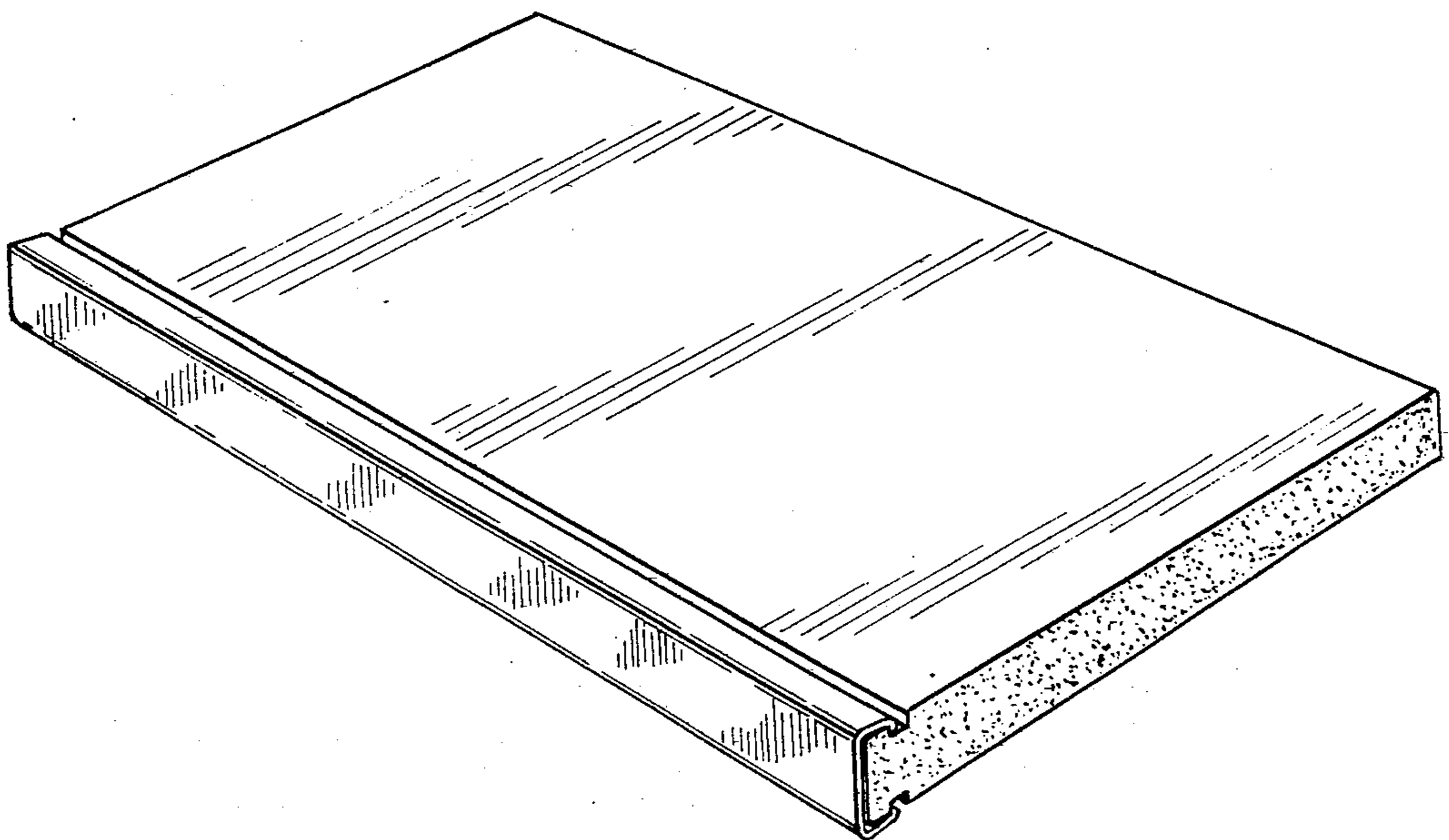


FIG. 1

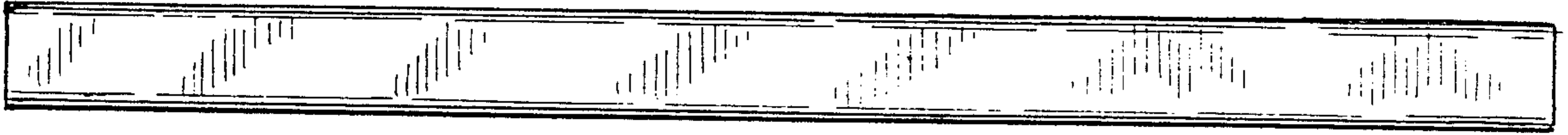


FIG. 2

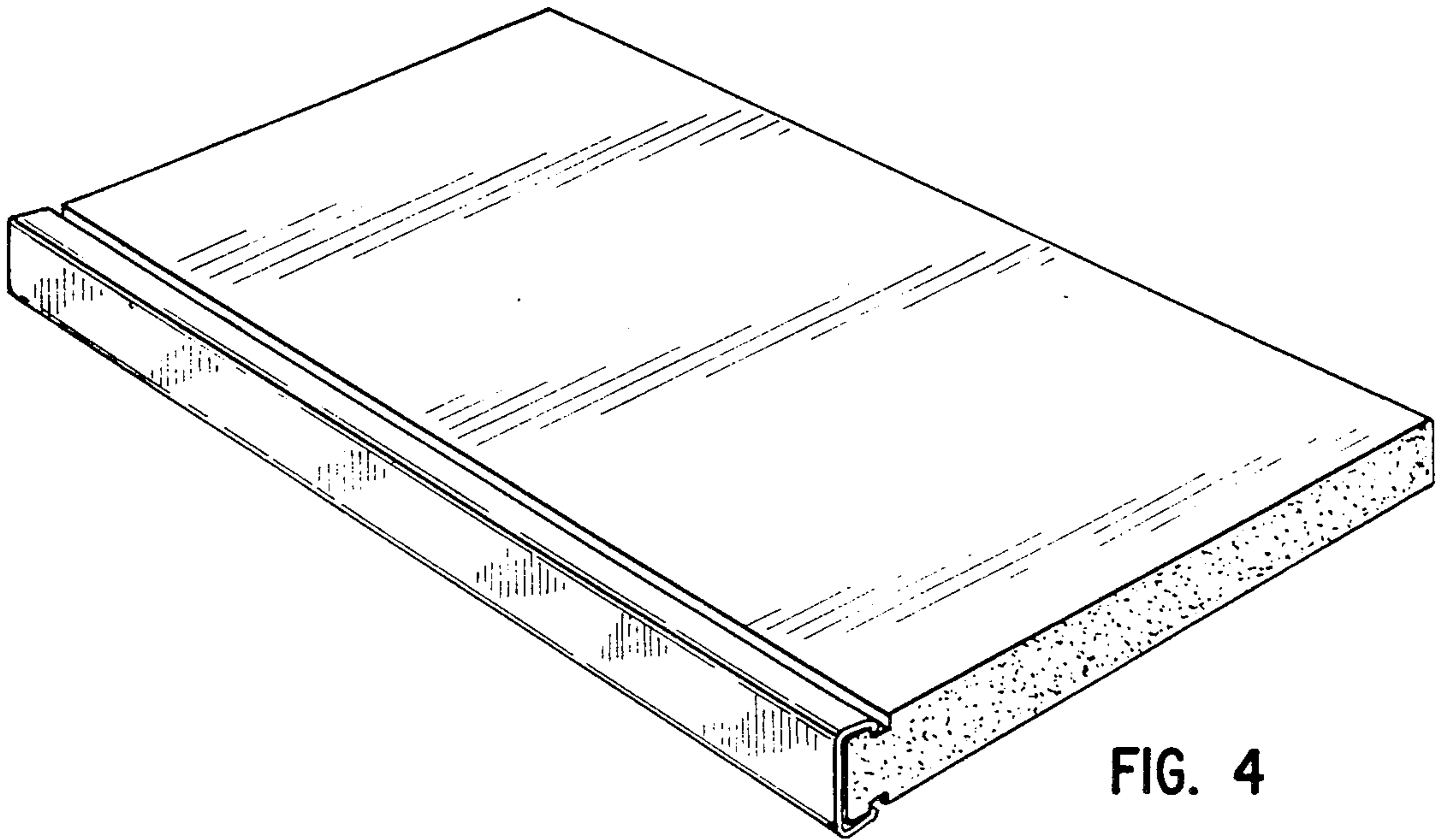
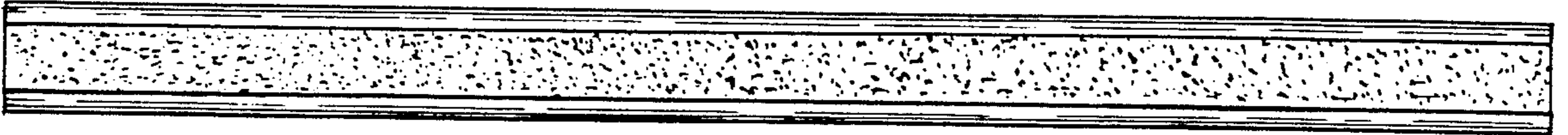


FIG. 4

FIG. 3

