

[54] CREDENZA

[76] Inventor: Demir Hamami, 4938 Battery La., Apt. 5, Bethesda, Md. 20814

[**] Term: 14 Years

[21] Appl. No.: 604,388

[22] Filed: Apr. 27, 1984

[52] U.S. Cl. D6/445; D6/446; D6/561

[58] Field of Search D6/432, 445, 446, 448, D6/449, 553, 555, 559, 560, 561, 447; 312/242

[56] References Cited

U.S. PATENT DOCUMENTS

D. 47,818	9/1915	Hamilton	D6/560 X
D. 199,625	11/1964	Platner	D6/446
D. 220,442	4/1971	Beavers	D6/445
D. 262,846	2/1982	Chaiken	D6/423
D. 273,923	5/1984	Matthias	D6/445

OTHER PUBLICATIONS

Better Homes and Gardens Jun. 1983, p. 17; Wall Mounted Buffet on page.

Primary Examiner—Carmen H. Vales
Attorney, Agent, or Firm—Joseph P. Nigon

[57] CLAIM

The ornamental design for a credenza, as shown and described.

DESCRIPTION

FIG. 1 is a front perspective view of a credenza showing my new design; FIG. 2 is a front elevational view thereof; FIG. 3 is a top plan view thereof; FIG. 4 is a left side elevational view thereof; FIG. 5 is a right side elevational view thereof; FIG. 6 is a rear elevational view thereof; and FIG. 7 is a front perspective view with one door in open position for convenience of illustration.

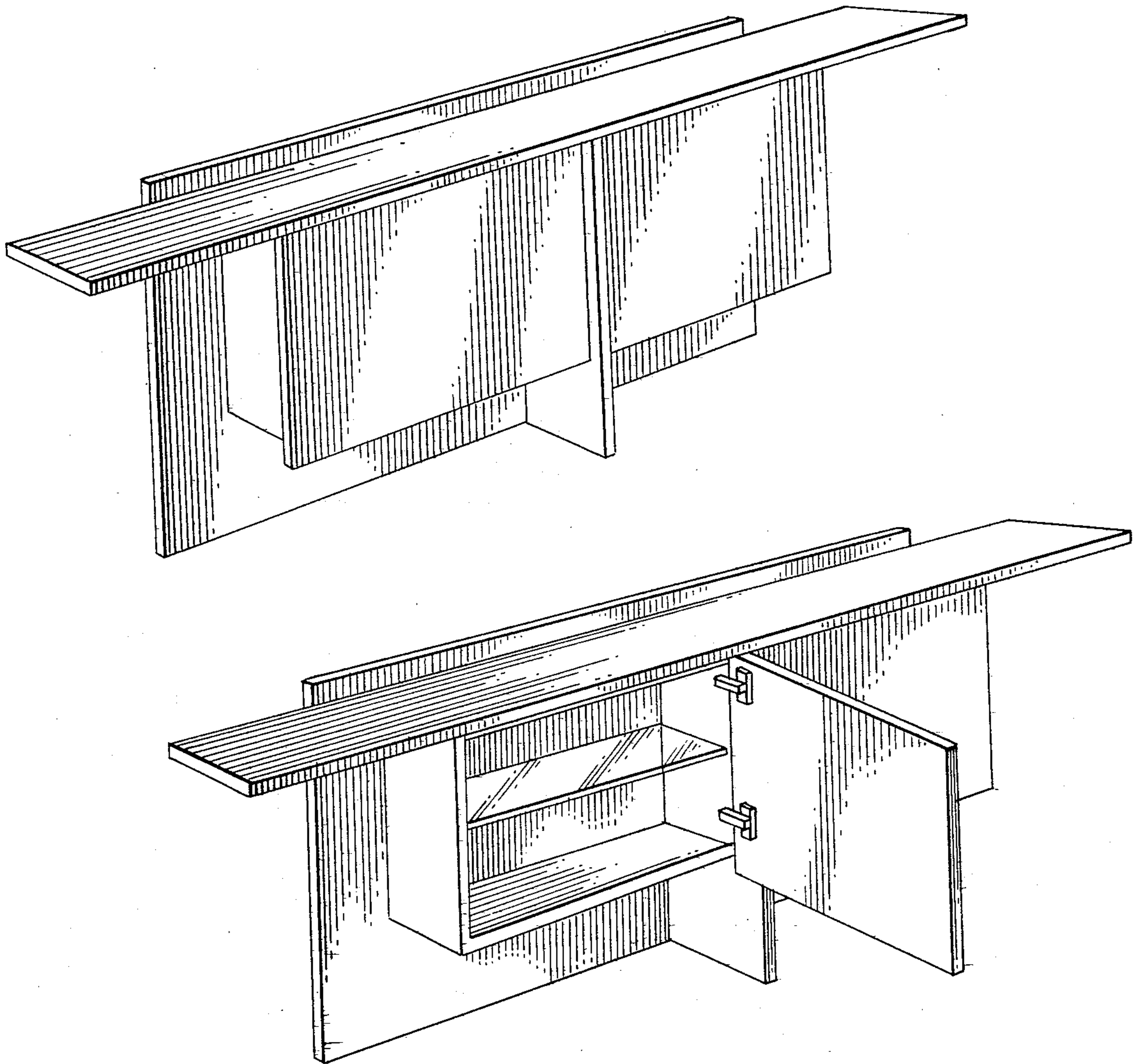


FIG. 1.

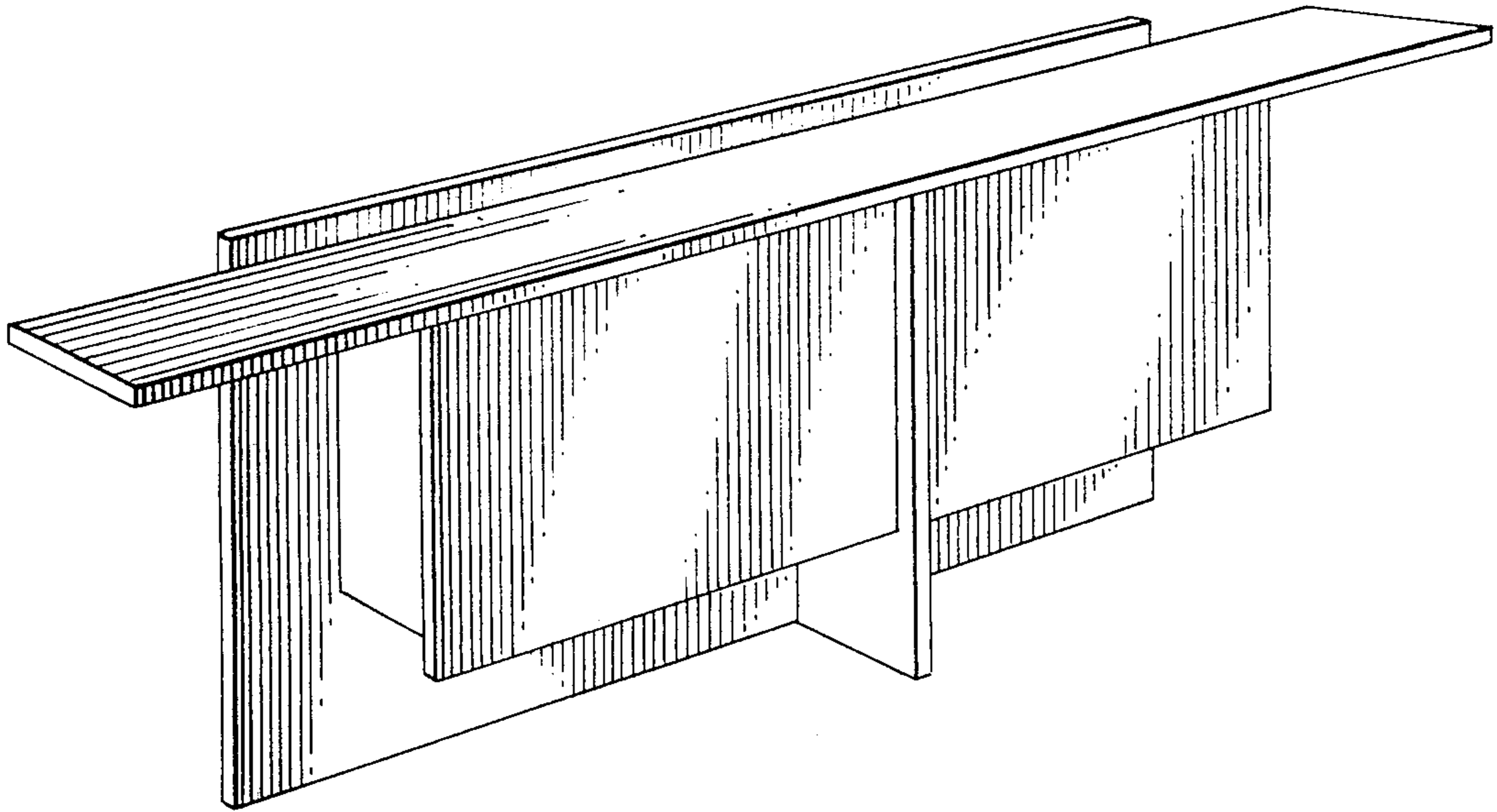


FIG. 2.

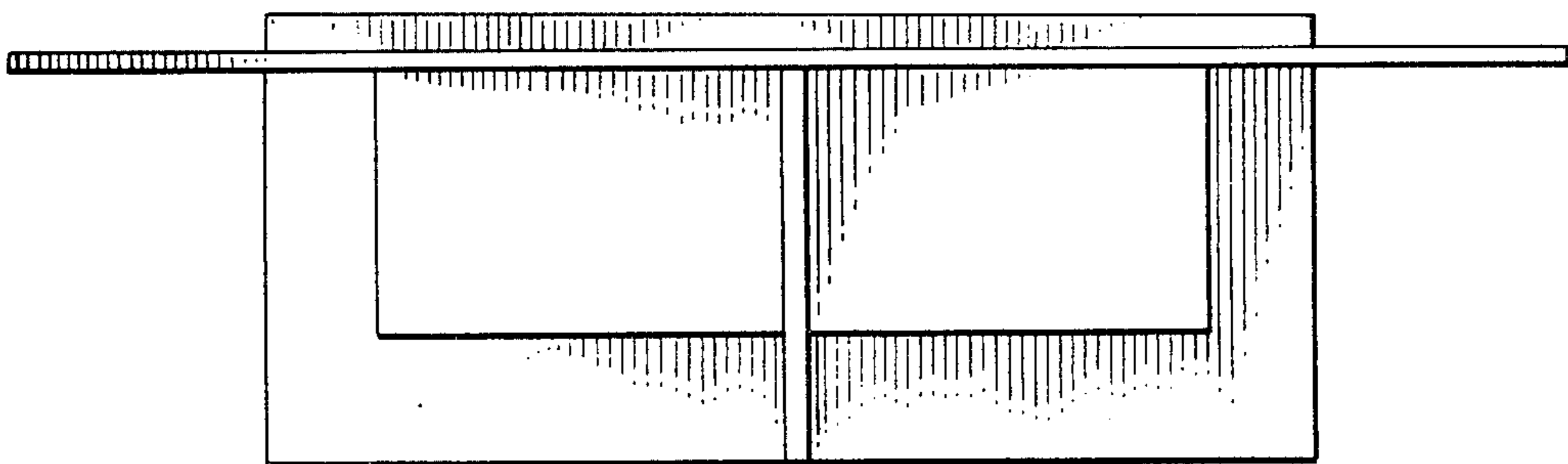


FIG. 3.

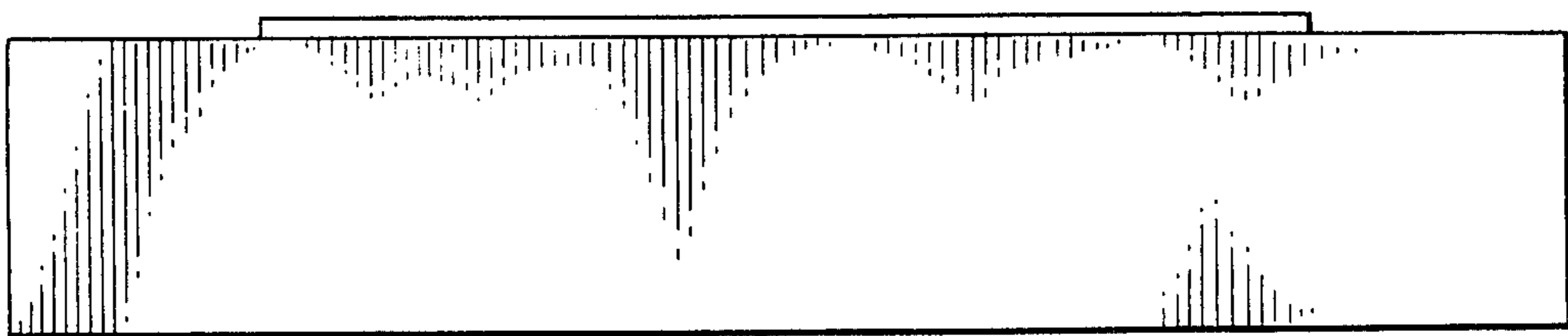


FIG. 4.

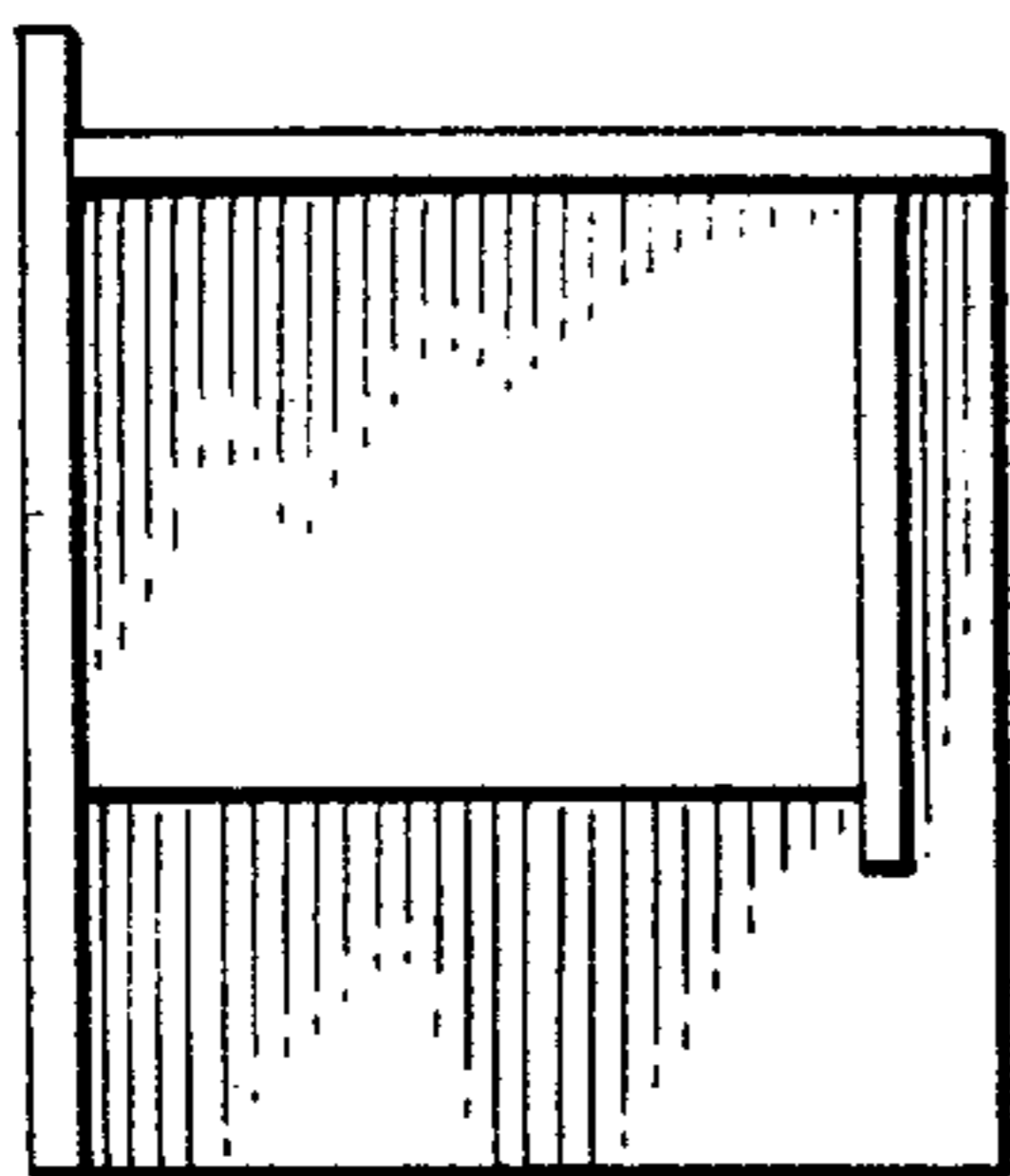


FIG. 5.

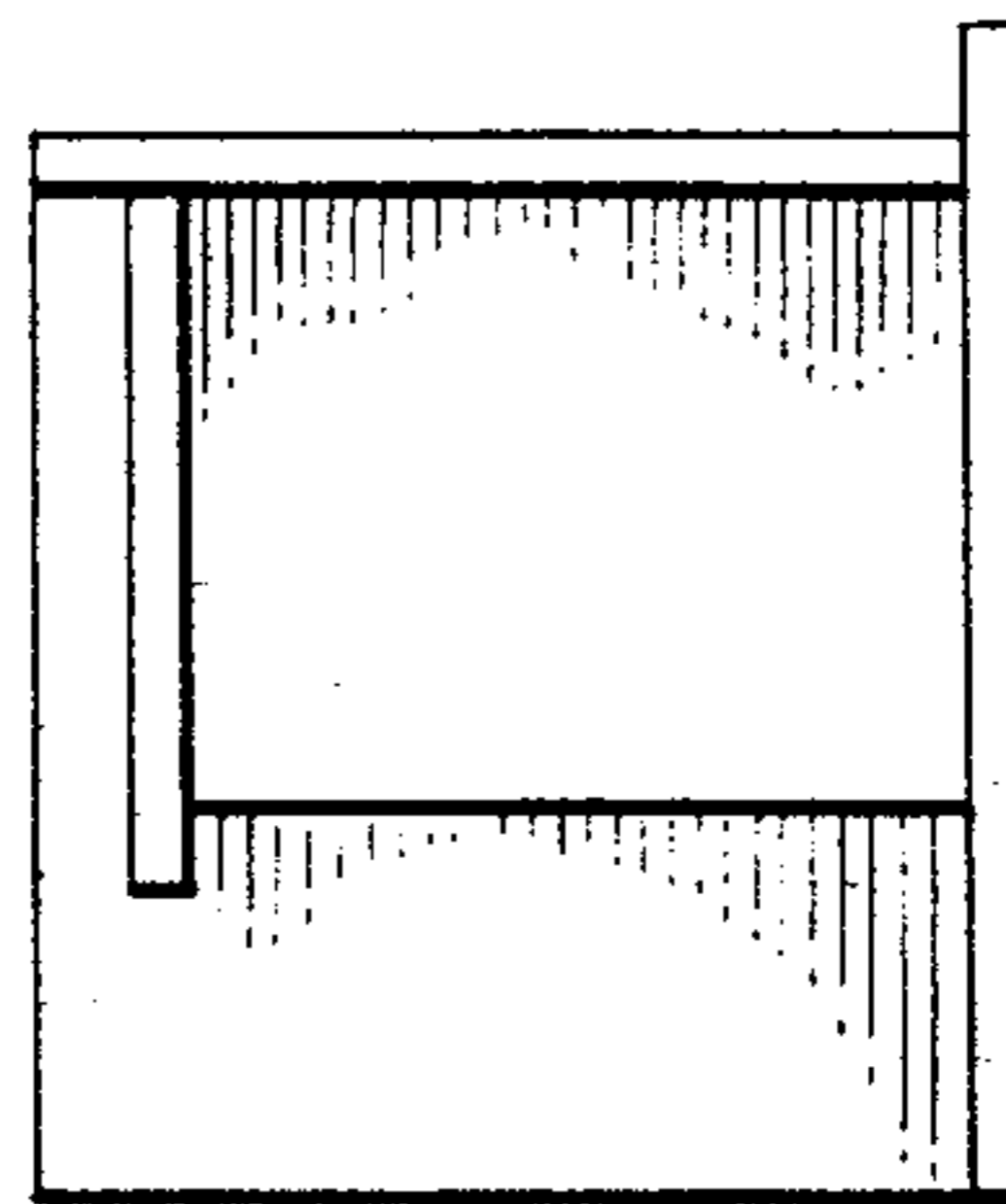


FIG. 6.

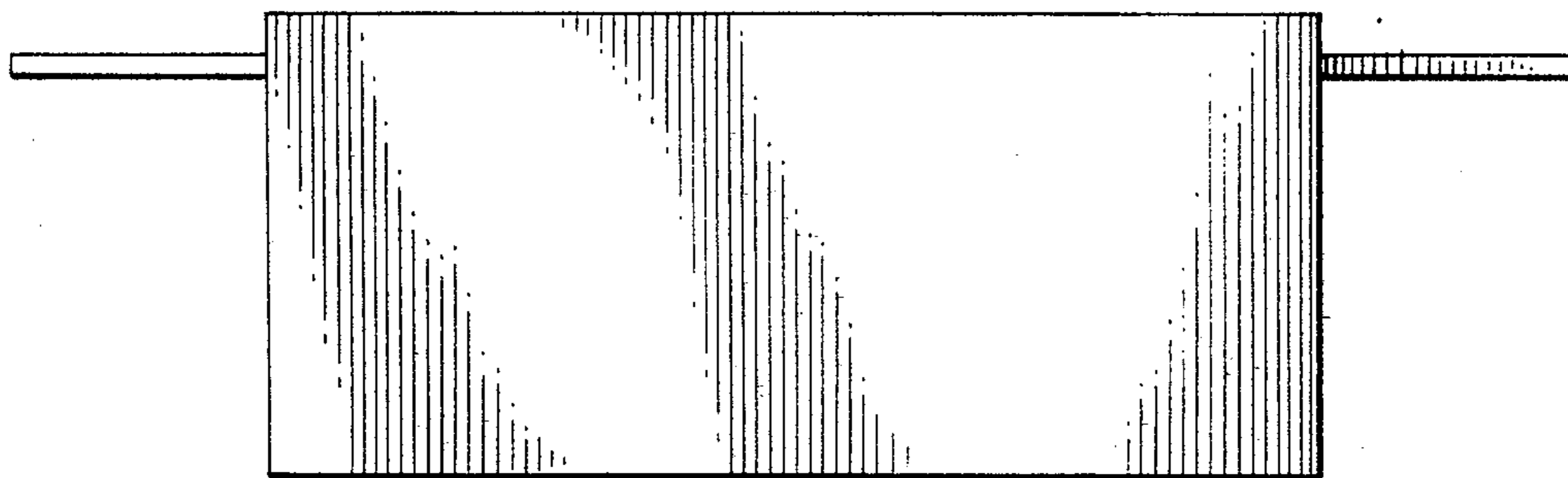


FIG. 7.

