

[54] COMBINED ORGANIZER TOTE AND BRIEFCASE

[75] Inventor: Edward L. Gerch, Chicago, Ill.

[73] Assignee: Kingport, Ltd., Evanston, Ill.

[**] Term: 14 Years

[21] Appl. No.: 606,386

[22] Filed: May 2, 1984

[52] U.S. Cl. D3/48; D3/71

[58] Field of Search D3/30.1, 33, 42, 48, D3/5.3, 71, 76, 77; 190/100-104, 106, 109-115

[56] References Cited

U.S. PATENT DOCUMENTS

D. 227,818	7/1973	Dipanova	D3/71
D. 250,435	11/1978	Cooper	D3/48
D. 270,872	10/1983	Katz et al.	D3/77
D. 273,057	3/1984	Katz et al.	D3/76
D. 278,190	4/1985	Ganz	D3/33

OTHER PUBLICATIONS

Luggage & Travelware 4/78, p. 25.

Primary Examiner—George P. Word
Attorney, Agent, or Firm—James N. Videbeck

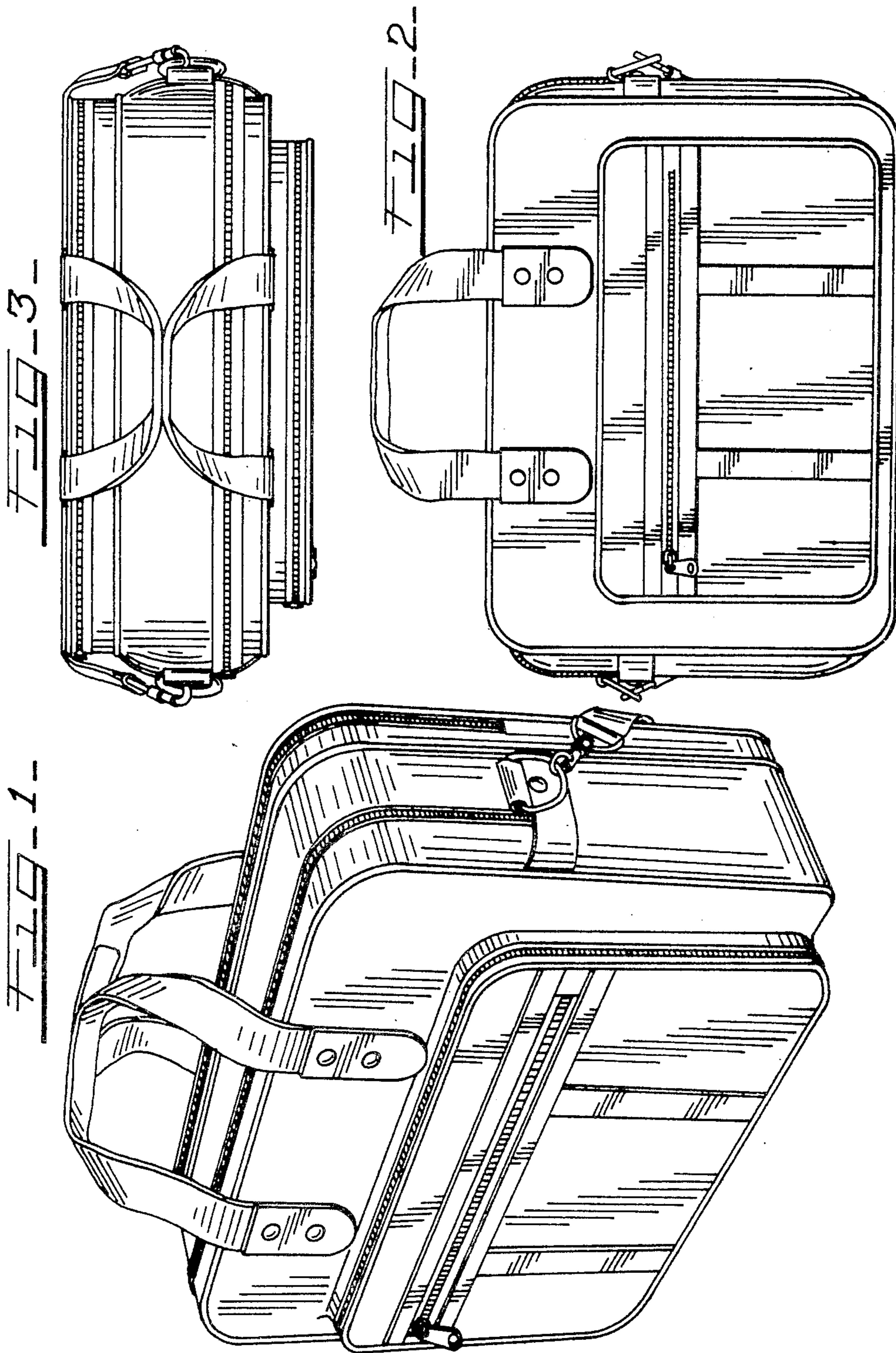
[57] CLAIM

The ornamental design for a combined organizer tote and briefcase, as shown and described.

DESCRIPTION

FIG. 1 is a perspective view of a combined organizer tote and briefcase showing my new design; FIG. 2 is a front elevational view thereof; FIG. 3 is a top plan view thereof; FIG. 4 is a rear elevational view thereof; FIG. 5 is a bottom plan view thereof; FIG. 6 is a right side elevational view thereof; FIG. 7 is a left side elevational view thereof; FIG. 8 is a perspective view of the combined organizer tote and briefcase with the organizer and briefcase carrying compartments in open position and the briefcase removed from the latter compartment; FIG. 9 is a front elevational view of the briefcase; FIG. 10 is a top plan view thereof; FIG. 11 is a right side elevational view thereof; FIG. 12 is a left side elevational view thereof; and FIG. 13 is a bottom plan view thereof.





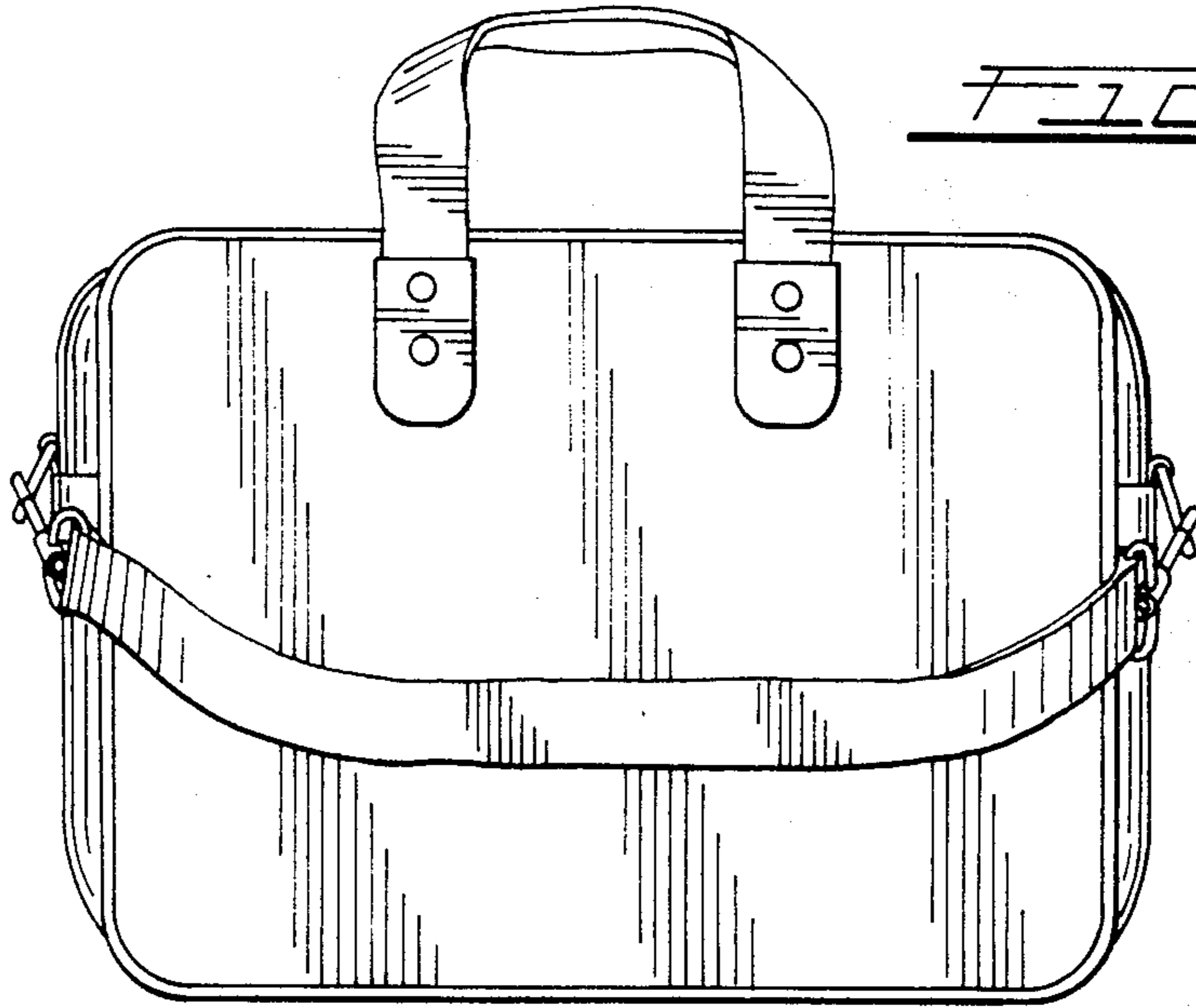


FIG. 4.

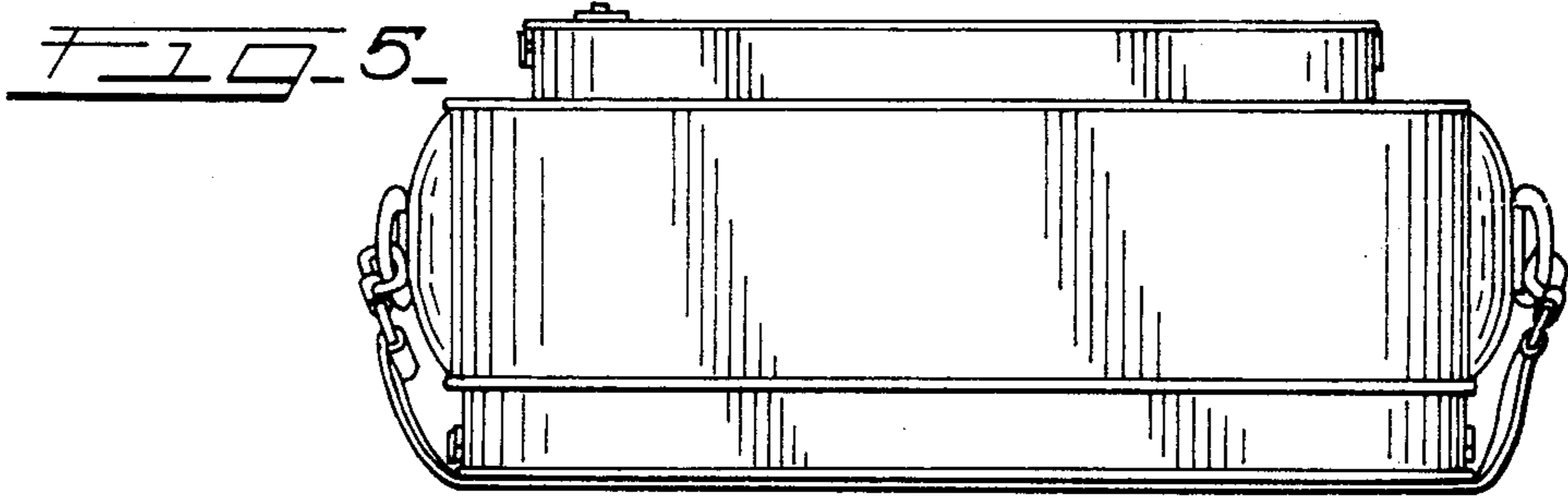


FIG. 5.

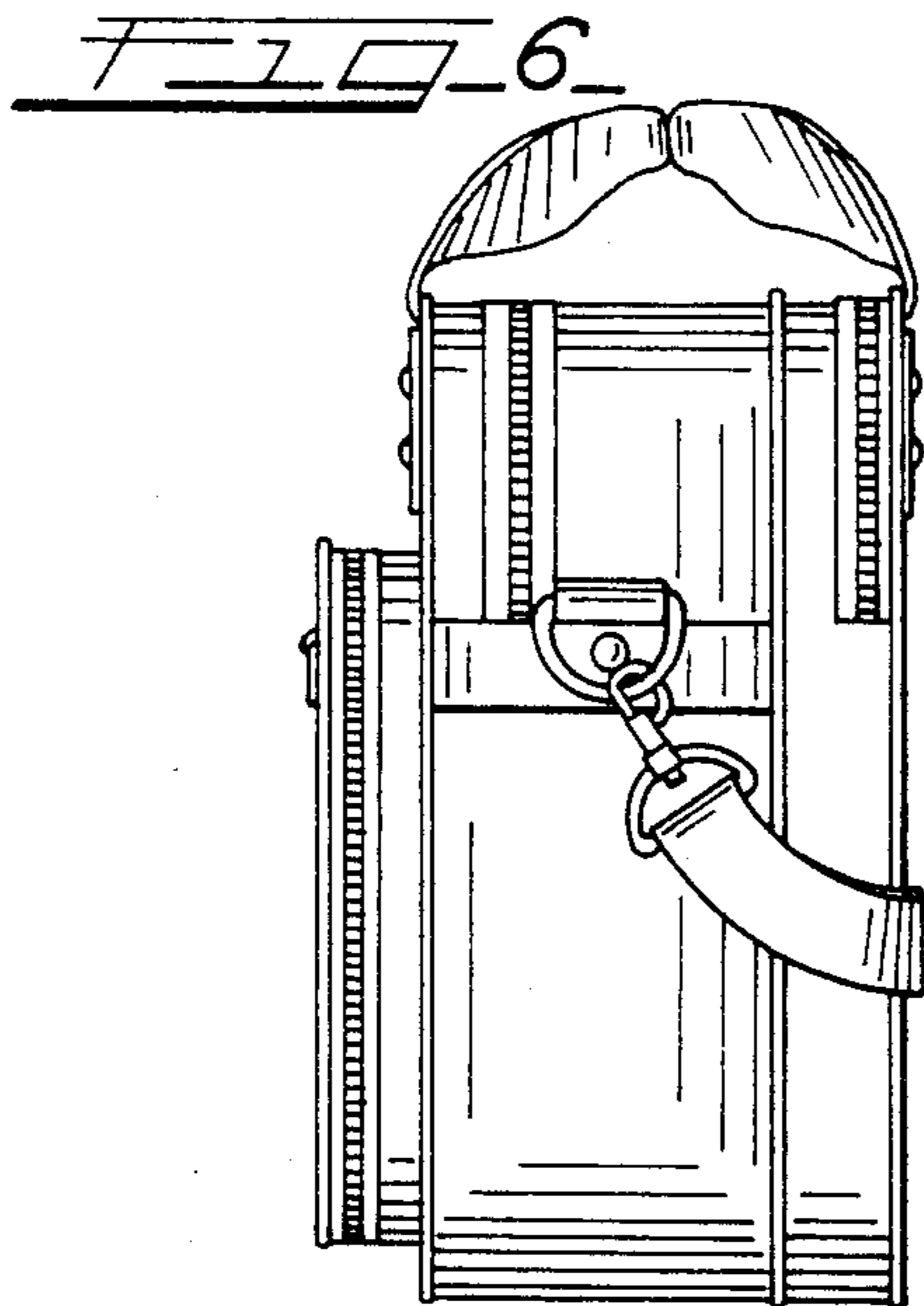


FIG. 6.

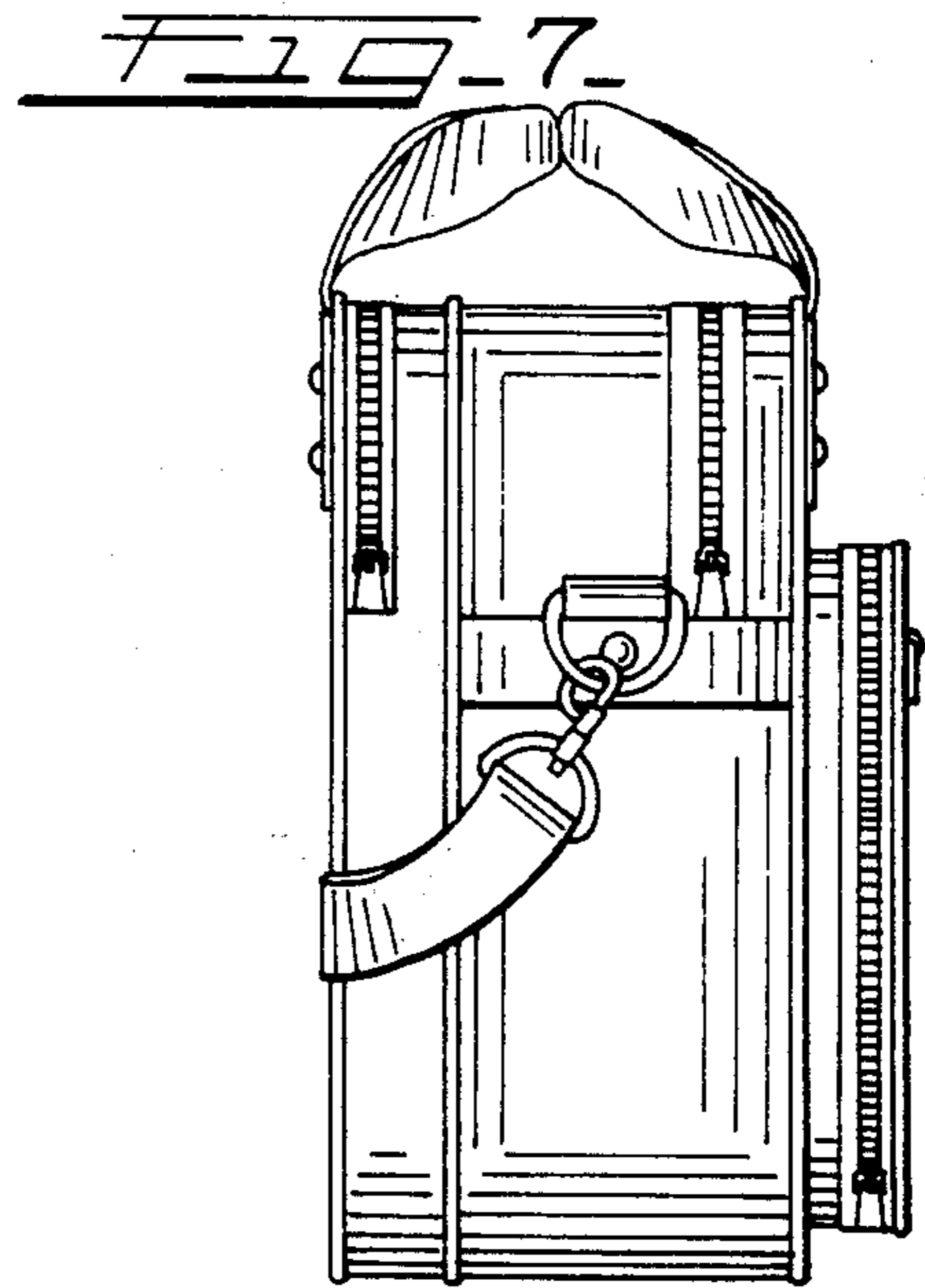


FIG. 7.

