

[54] HELMET

[75] Inventor: Anthony G. Gorman, Ruislip, England

[73] Assignee: Racal Acoustics Limited, Wembley, England

[\*\*] Term: 14 Years

[21] Appl. No.: 515,162

[22] Filed: Jul. 19, 1983

[30] Foreign Application Priority Data

Feb. 2, 1983 [GB] United Kingdom ..... 1011219

Feb. 2, 1983 [GB] United Kingdom ..... 1011220

[52] U.S. Cl. .... D2/232

[58] Field of Search ..... D2/230, 231, 232, 233, D2/234, 239, 240, 241, 243, 244, 246, 248; 2/5, 6, 410, 411, 412, 413, 417, 418, 419, 420, 421, 422, 423, 424, 425

[56] References Cited

U.S. PATENT DOCUMENTS

D. 171,297 1/1954 D'Arbeloff ..... D2/232

D. 202,097 8/1965 Gilbert ..... D2/232

D. 204,227 4/1966 Orenstein ..... D2/232

3,258,534 6/1966 Goldsworthy ..... 2/422 X

3,423,759 1/1969 Catroppa et al. .... 2/6

3,665,514 5/1972 Durano ..... 2/420

3,916,312 10/1975 Campbell ..... 2/422 X

OTHER PUBLICATIONS

*American Home* 9-1955, p. 26; Jet Pilot's Helmet on page.

Primary Examiner—Carmen H. Vales  
 Assistant Examiner—M. Lauence  
 Attorney, Agent, or Firm—Scrivener Clarke Scrivener and Johnson

[57] CLAIM

The ornamental design for a helmet, as shown and described.

DESCRIPTION

FIG. 1 is a left side elevational view of a helmet showing my new design, the right side elevational view being a mirror image with the microphone and accessories thereto omitted;

FIG. 2 is a front elevational view thereof;

FIG. 3 is a top plan view thereof;

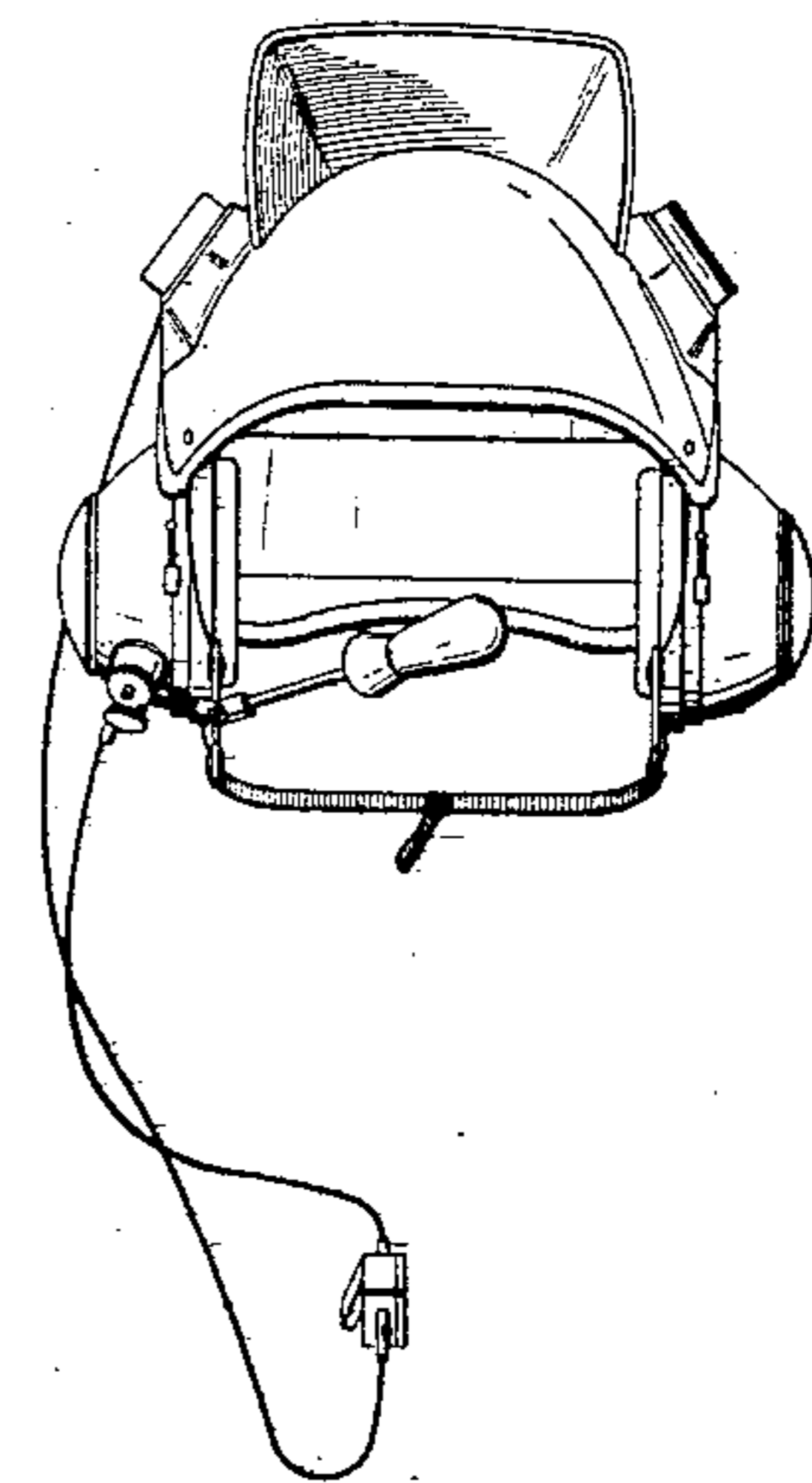
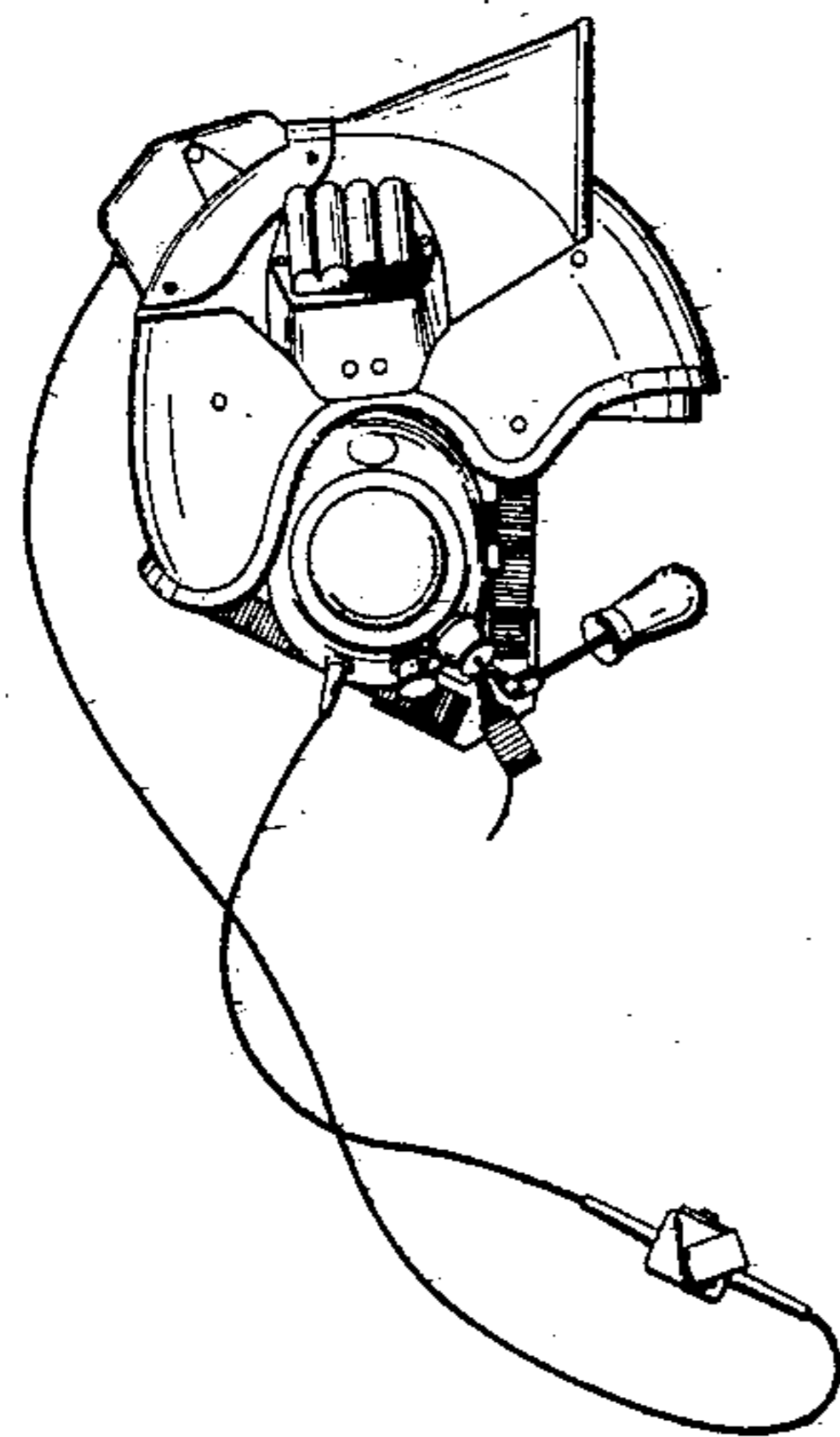
FIG. 4 is a left side elevational of a modified embodiment of the helmet shown in FIG. 1, the right side elevational view being a mirror image with the microphone and accessories thereto omitted;

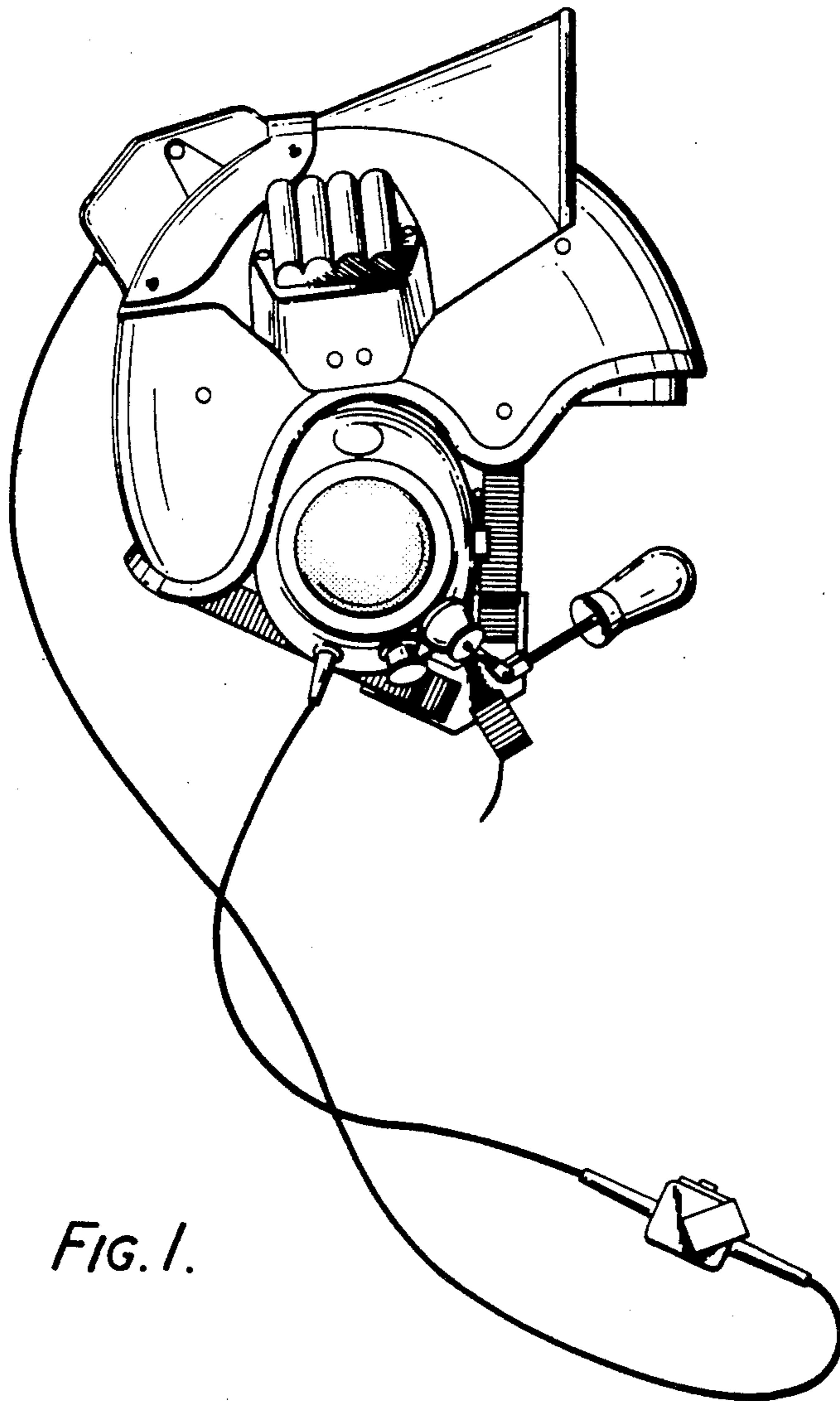
FIG. 5 is a front elevational view thereof;

FIG. 6 is a top plan view thereof;

FIG. 7 is a rear elevational view of the embodiments of FIGS. 1 through 3; and

FIG. 8 is a rear elevational view of the embodiment of FIGS. 4 through 6.





*FIG. 1.*

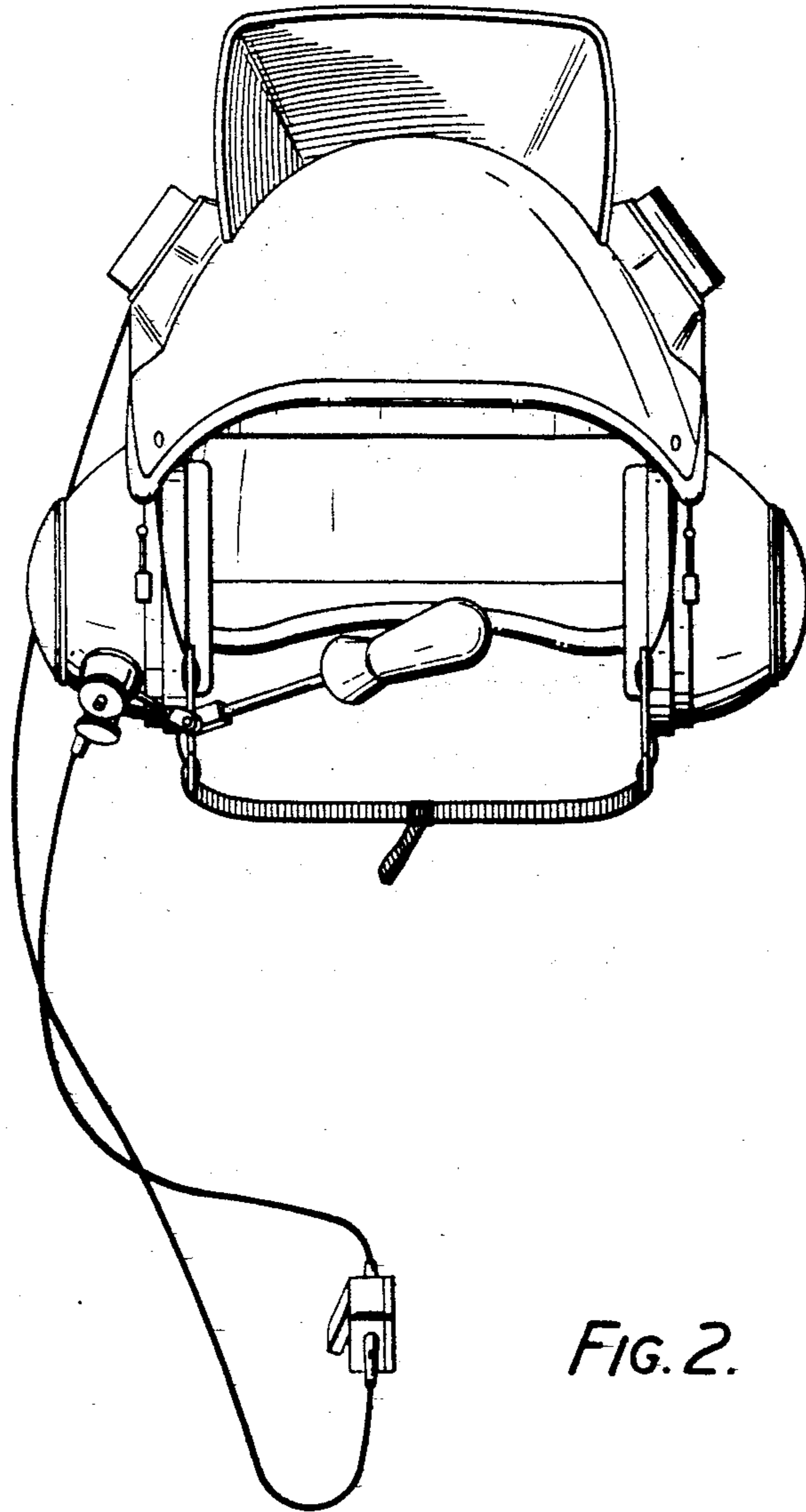
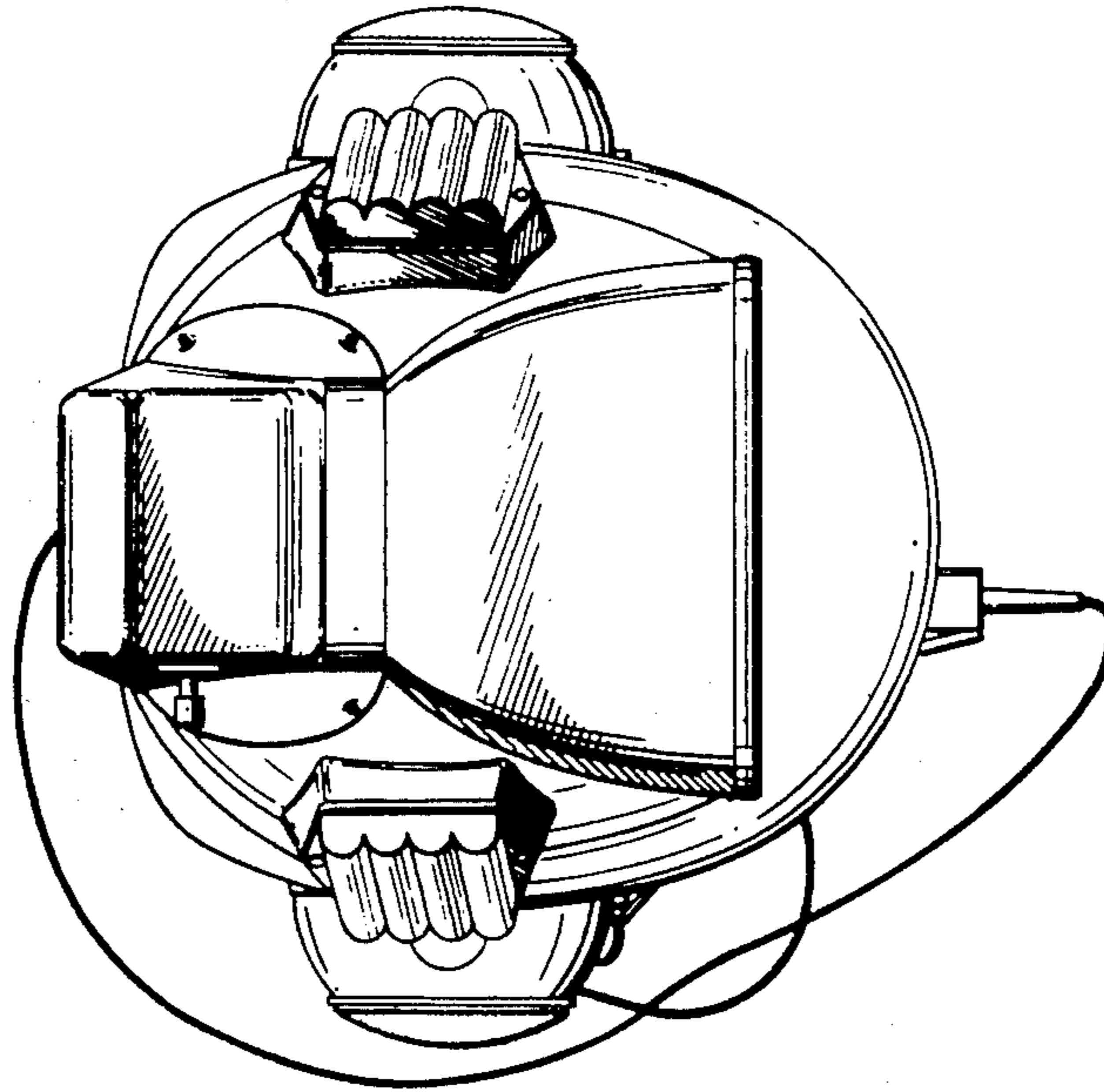


FIG. 2.



*FIG. 3.*

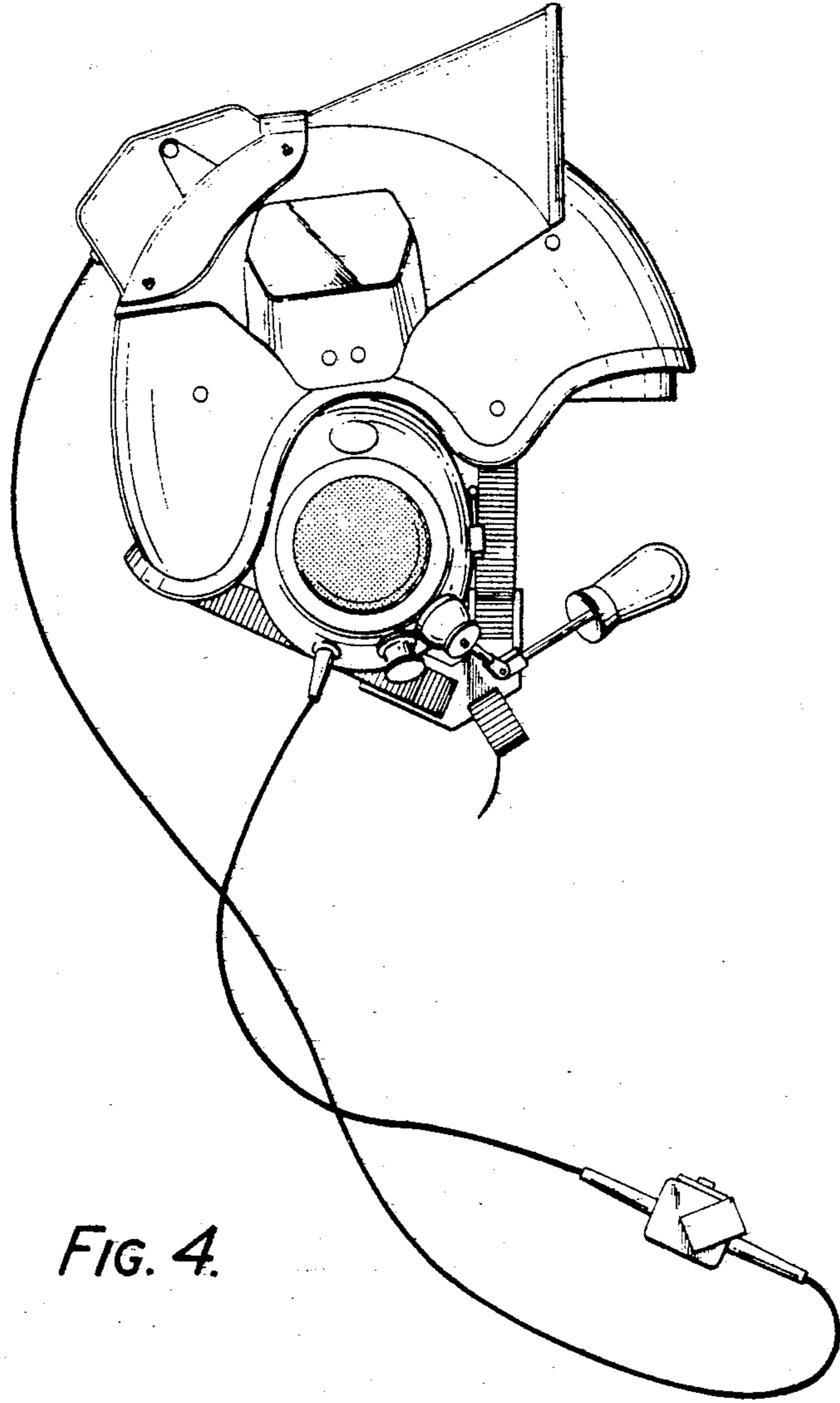
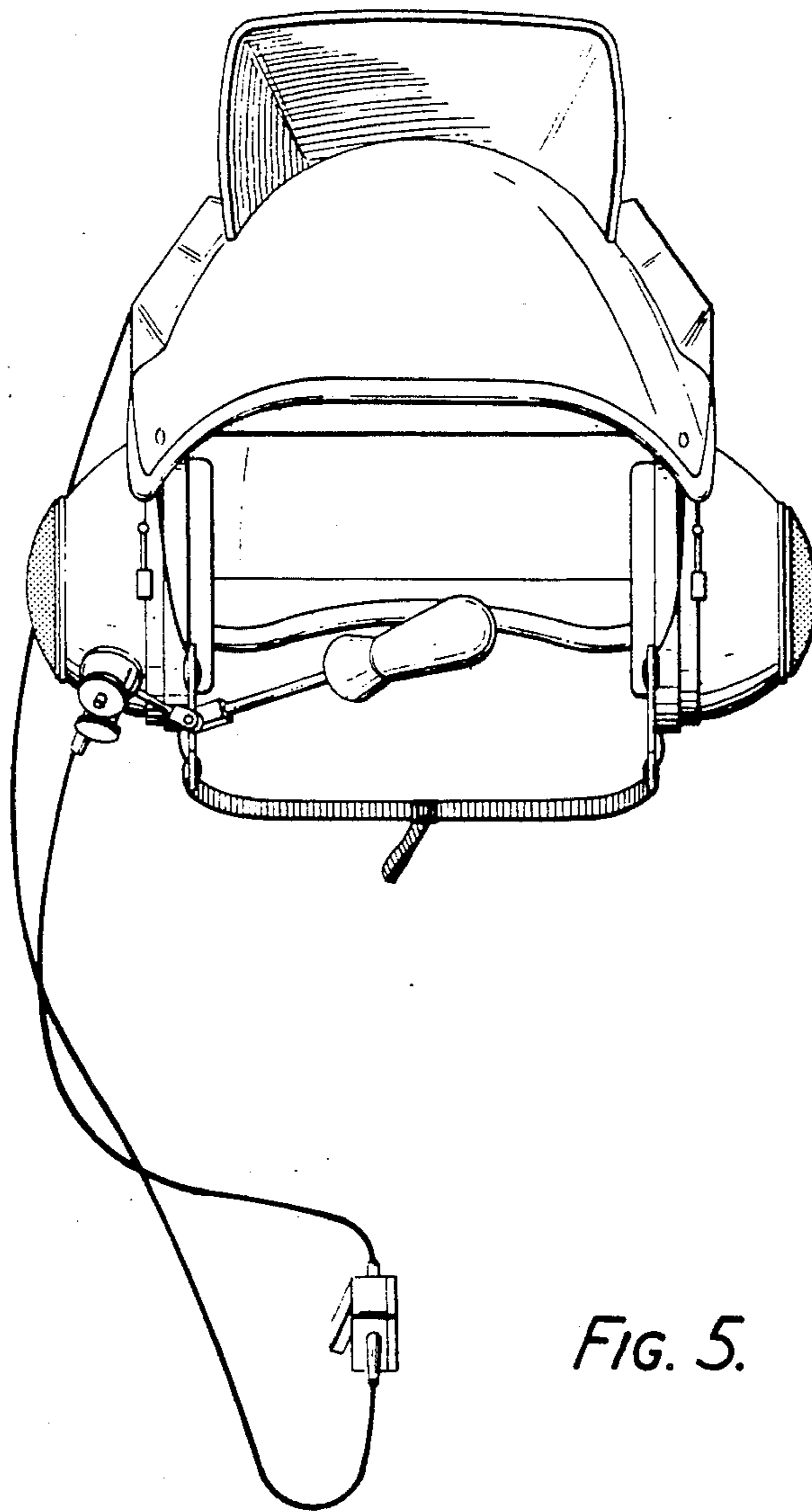


FIG. 4.





*FIG. 5.*

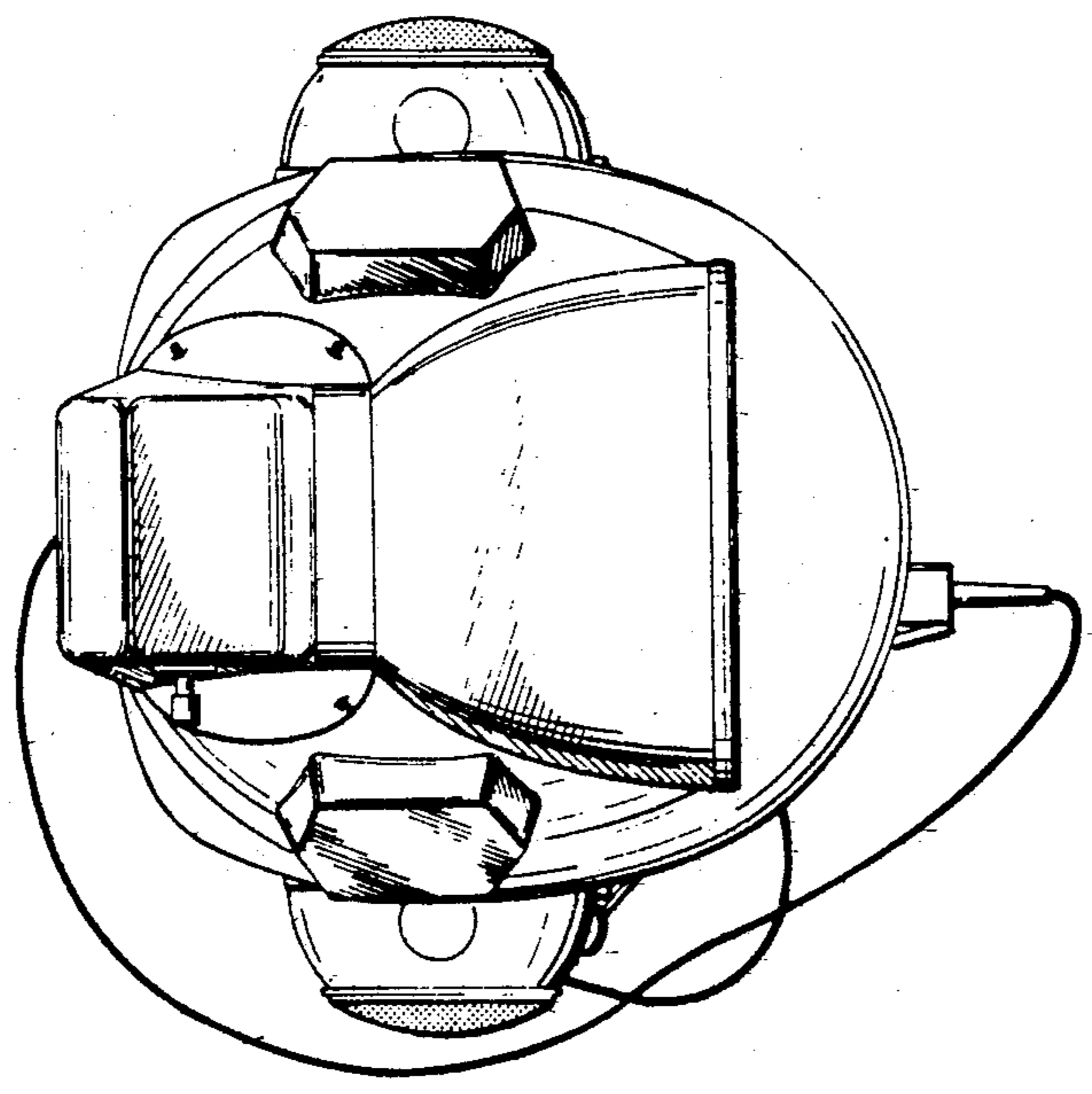
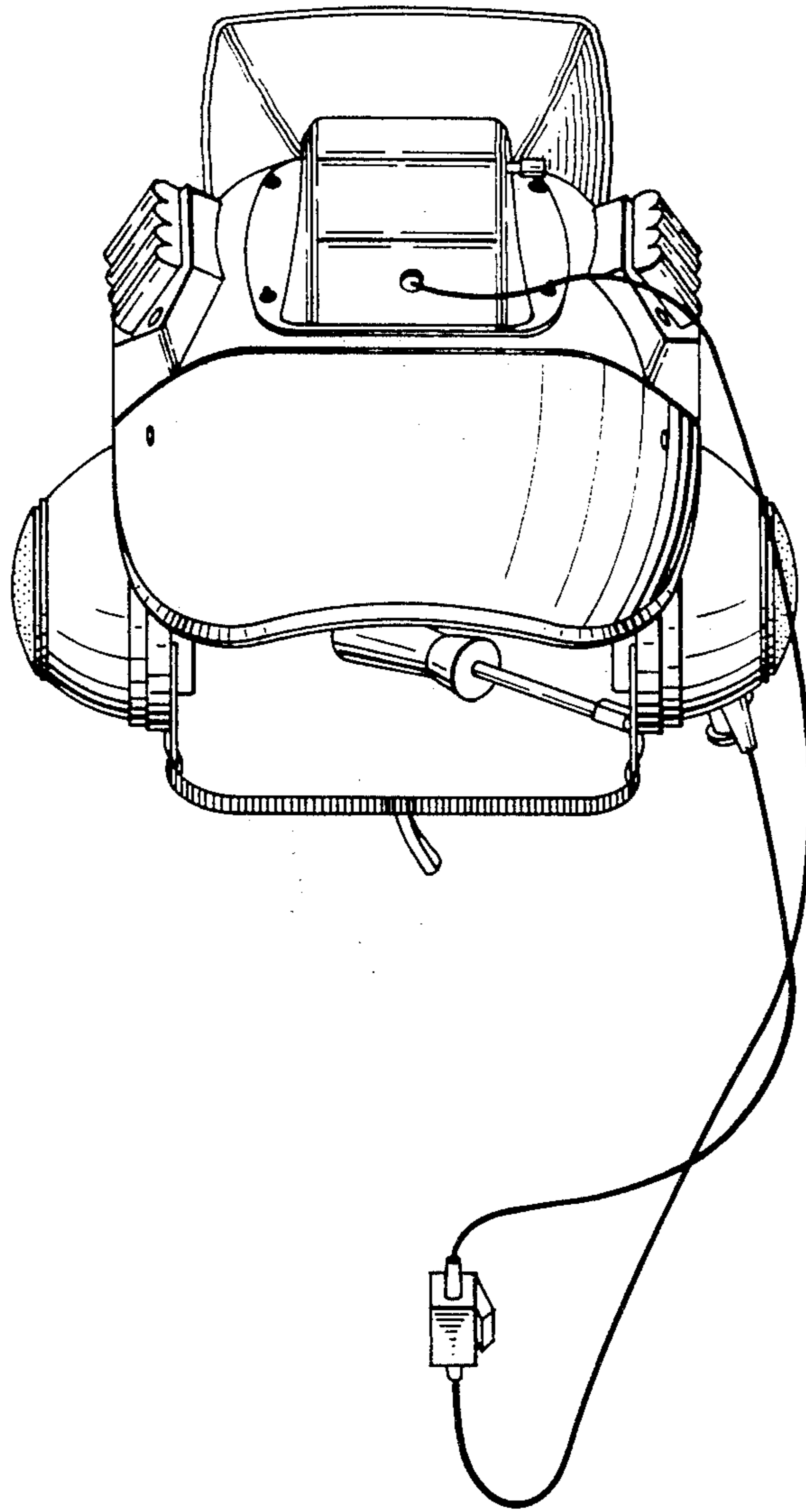


FIG. 6.

**FIG. 7.**





**FIG. 8.**

