

[54] PARTS TRAY

[75] Inventors: Garland D. Cotney; Scot W. Taylor, both of Tempe, Ariz.

[73] Assignee: Motorola, Inc., Schaumburg, Ill.

[**] Term: 14 Years

[21] Appl. No.: 519,336

[22] Filed: Aug. 1, 1983

[52] U.S. Cl. D34/40; D21/17

[58] Field of Search D34/40, 41, 42, 43, D34/44, 45, 46; 206/203, 557; D9/418, 456; D21/17

[56] References Cited

U.S. PATENT DOCUMENTS

D. 209,479	12/1962	Cutler	D9/456
D. 257,000	9/1980	Williams et al.	D9/456
D. 260,568	9/1981	Cherry	D34/40

Primary Examiner—Robert G. Spangler
Attorney, Agent, or Firm—Robert M. Handy

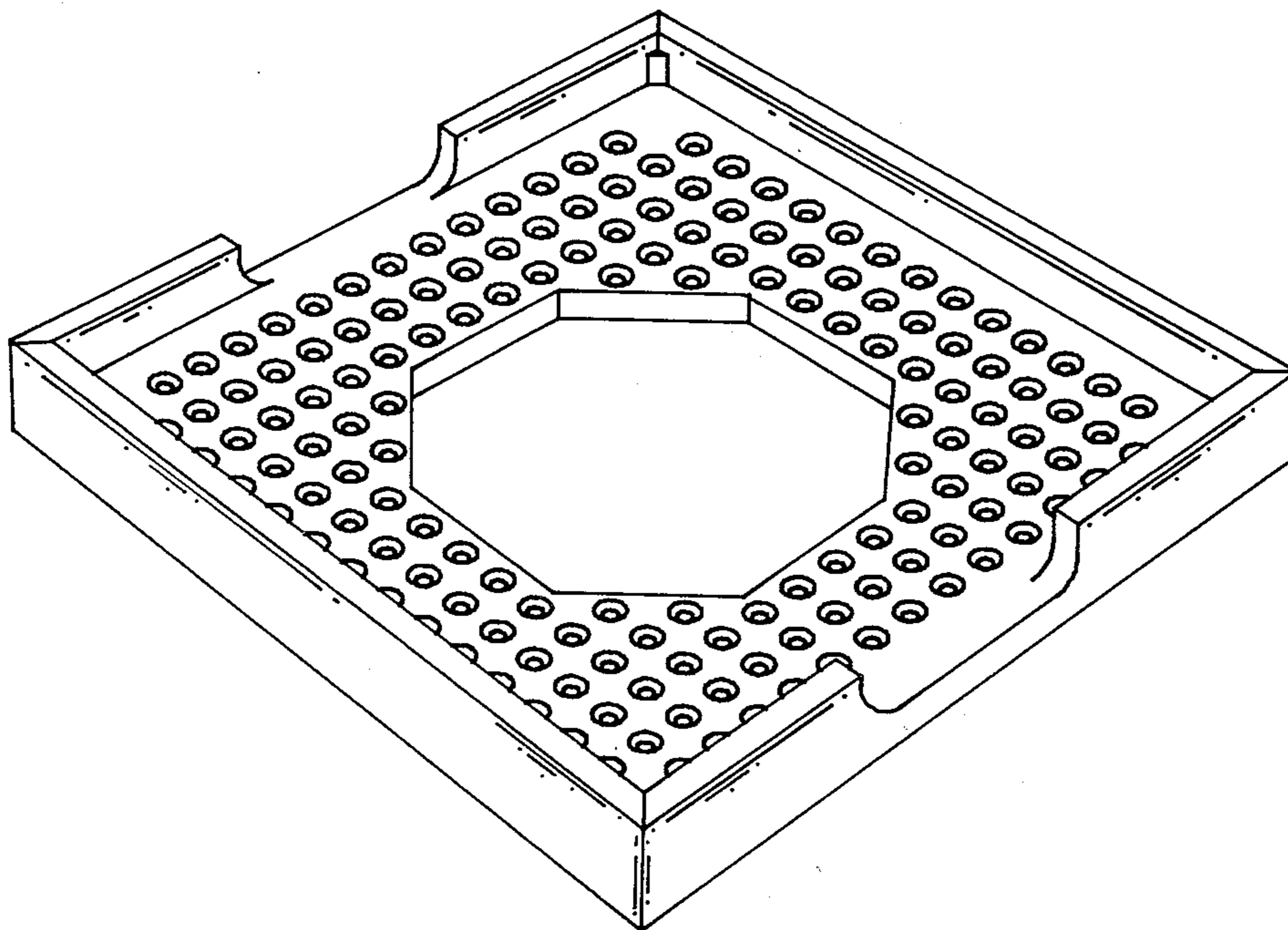
[57] CLAIM

The ornamental design for a parts tray, as shown and described.

DESCRIPTION

FIG. 1 is a top perspective view of a parts tray showing our new design, the sides opposite those shown being the same as the respective sides shown;
 FIG. 2 is a top plan view thereof;
 FIG. 3 is a bottom plan view thereof;
 FIG. 4 is a side elevational view thereof, the opposite side being the same in appearance;
 FIG. 5 is an elevational view looking from the right of FIG. 4, the opposite side being the same in appearance;

FIG. 6 is a top perspective view showing a second embodiment of our new design;
 FIG. 7 is a top plan view thereof;
 FIG. 8 is a bottom plan view thereof;
 FIG. 9 is a top plan view showing a third embodiment of our new design in which the only change is that one corner is chamfered as shown;
 FIG. 10 is a bottom plan view thereof;
 FIG. 11 is a bottom plan view showing a fourth embodiment of our new design wherein the only changes from the first embodiment are in the bottom as shown;
 FIG. 12 is a bottom plan view showing a fifth embodiment of our new design wherein the only change from the second embodiment is in the bottom as shown;
 FIG. 13 is a top perspective view showing a sixth embodiment of our new design;
 FIG. 14 is a top plan view thereof;
 FIG. 15 is a bottom plan view thereof;
 FIG. 16 is a side elevational view thereof, the opposite side being the same in appearance;
 FIG. 17 is a view looking from the right of FIG. 16, the opposite side being the same in appearance;
 FIG. 18 is a top plan view showing a seventh embodiment of our new design, wherein the only change from the sixth embodiment is that one corner is chamfered;
 FIG. 19 is a bottom plan view thereof;
 FIG. 20 is a bottom plan view showing an eighth embodiment of our new design, wherein the only change from the sixth embodiment is in the bottom as shown;
 FIG. 21 is a top perspective view showing a ninth embodiment of our new design, wherein the only change from the first embodiment is in the provision of a rectangular central opening as shown;
 FIG. 22 is a fragmentary, enlarged view of the upper right corner of FIG. 2 showing in greater detail, the openings on the upper surface of all forms; and
 FIG. 23 is a fragmentary, enlarged view of the upper right corner of FIG. 11 showing in greater detail the openings on the bottom surface of the fourth, fifth and eighth embodiments.



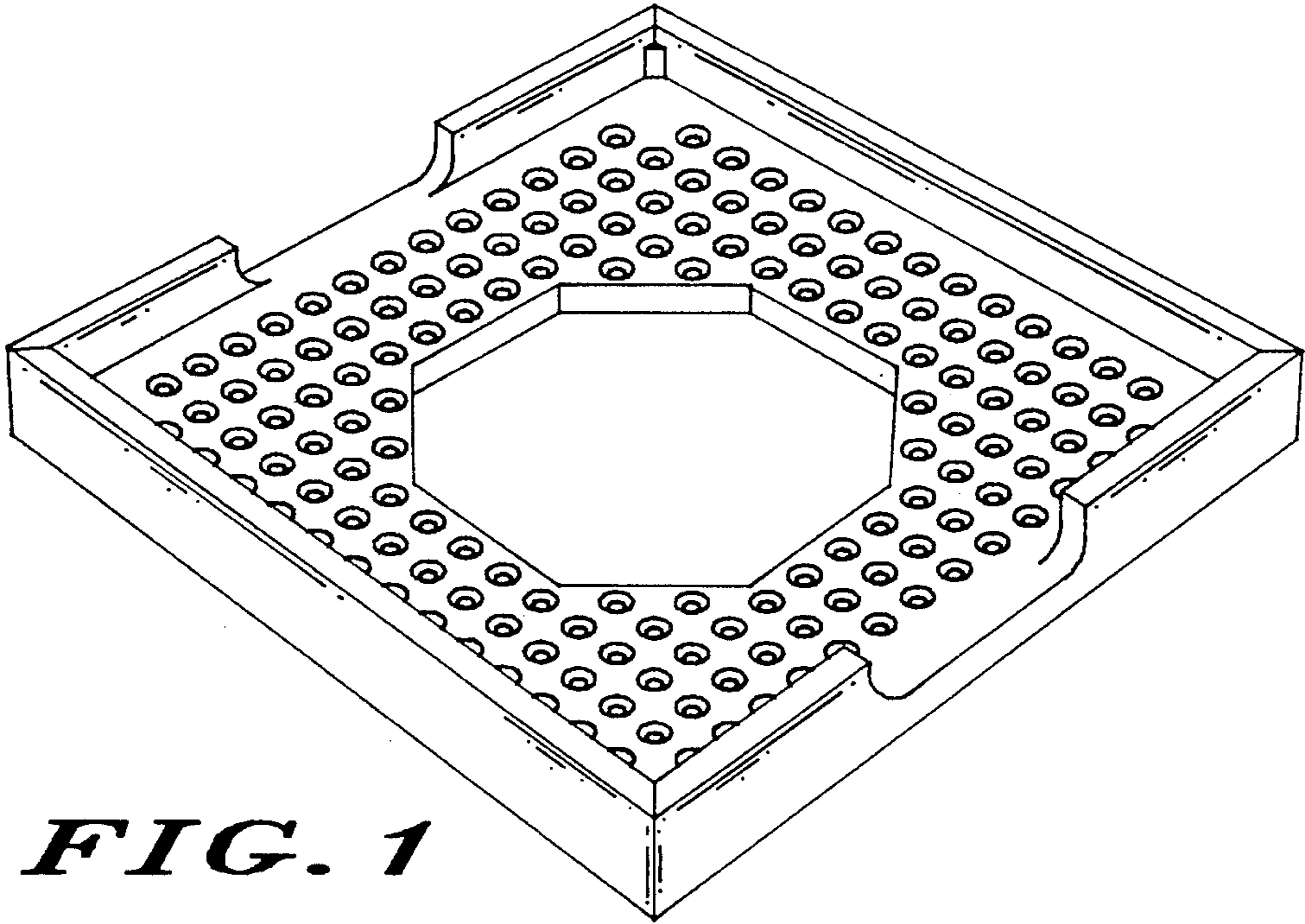


FIG. 1

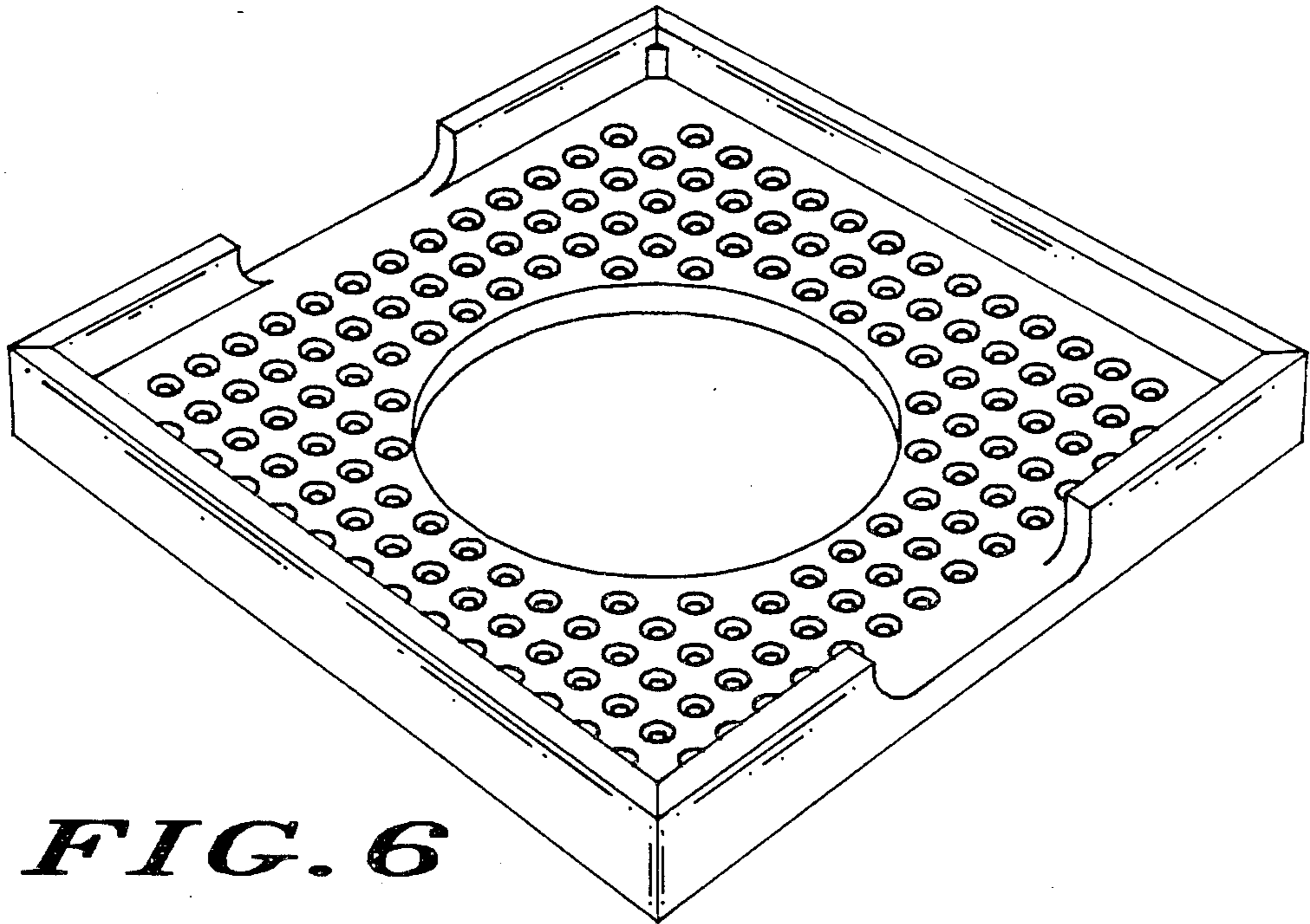


FIG. 6

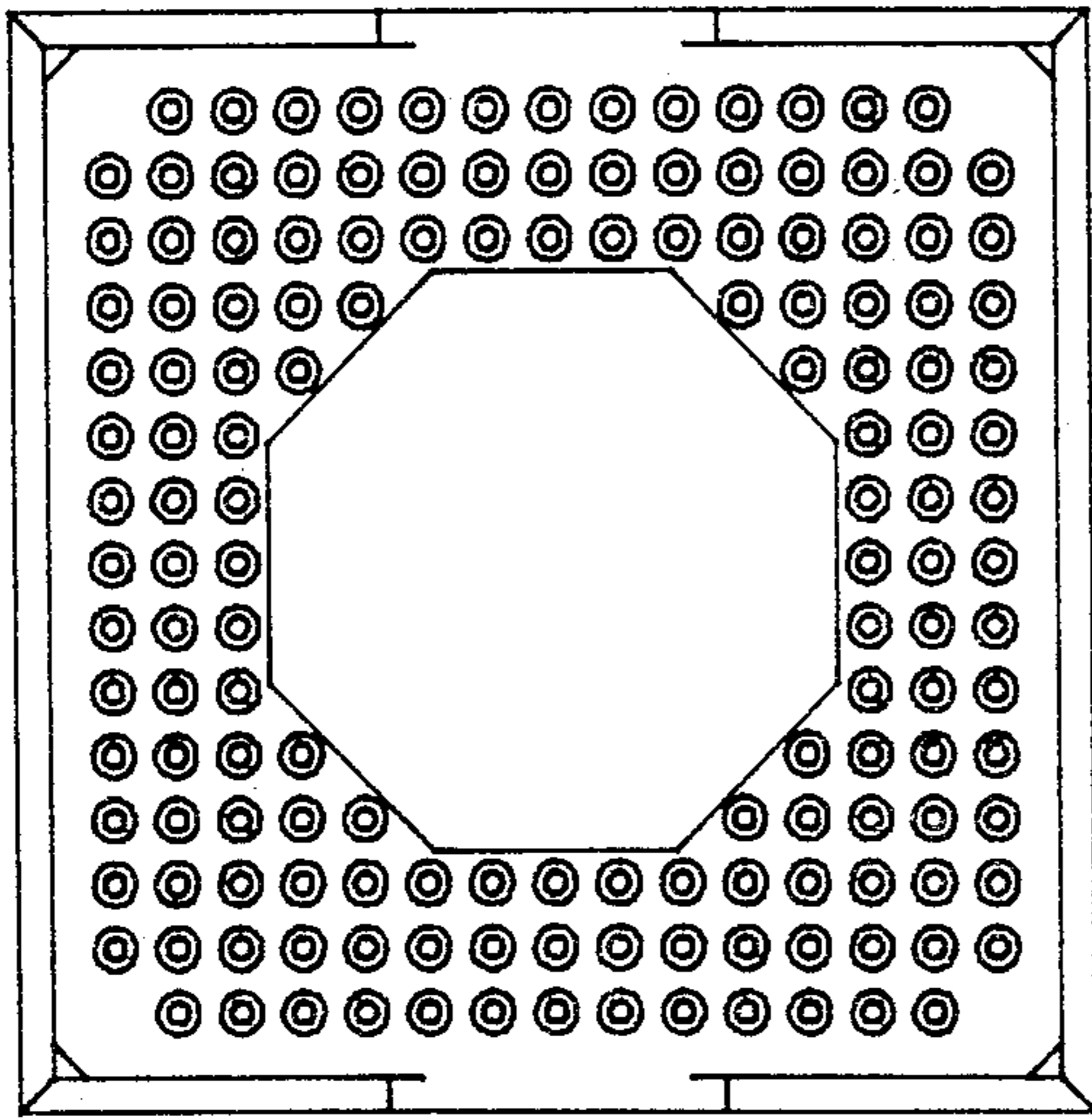


FIG. 2

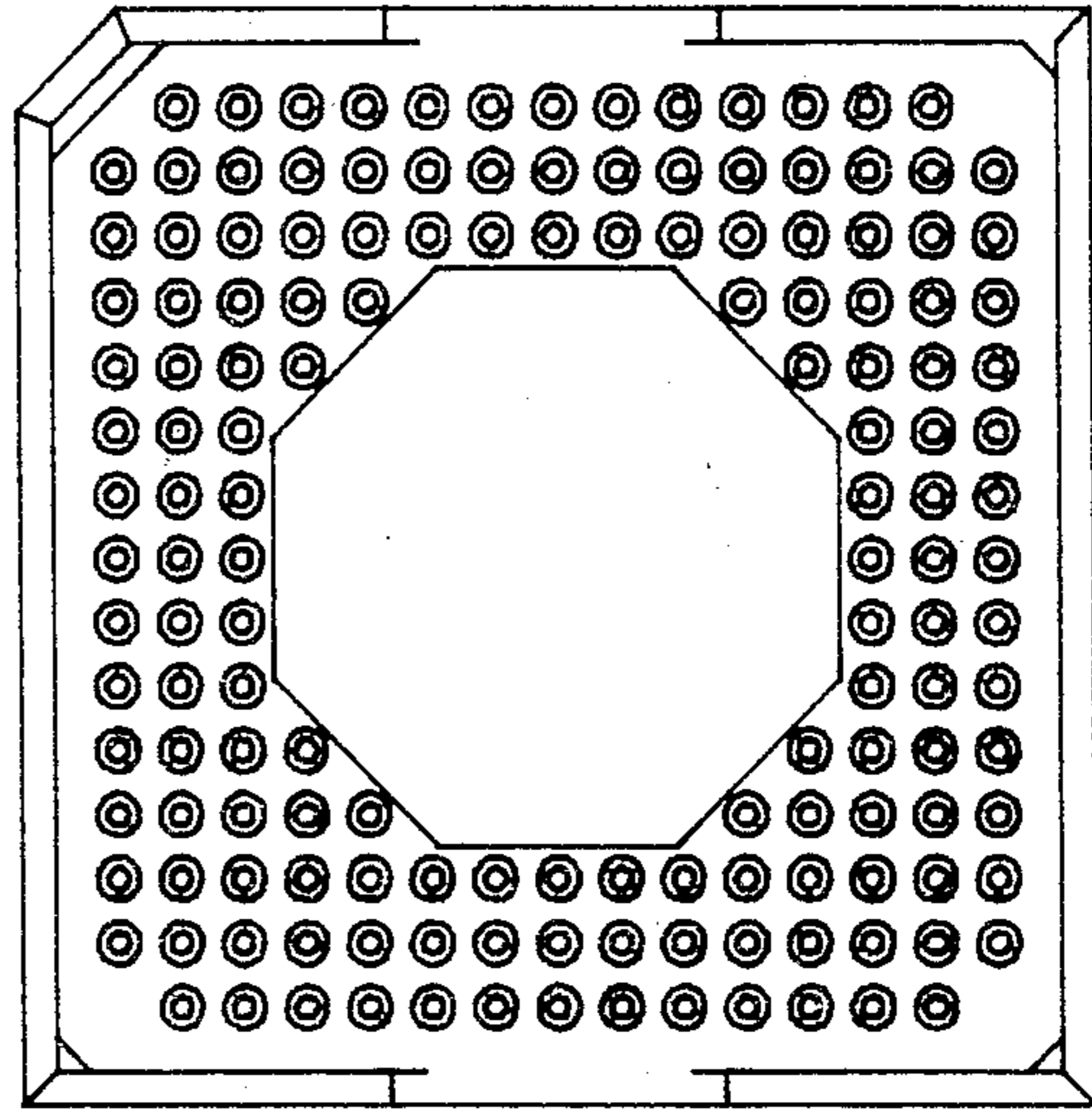


FIG. 9

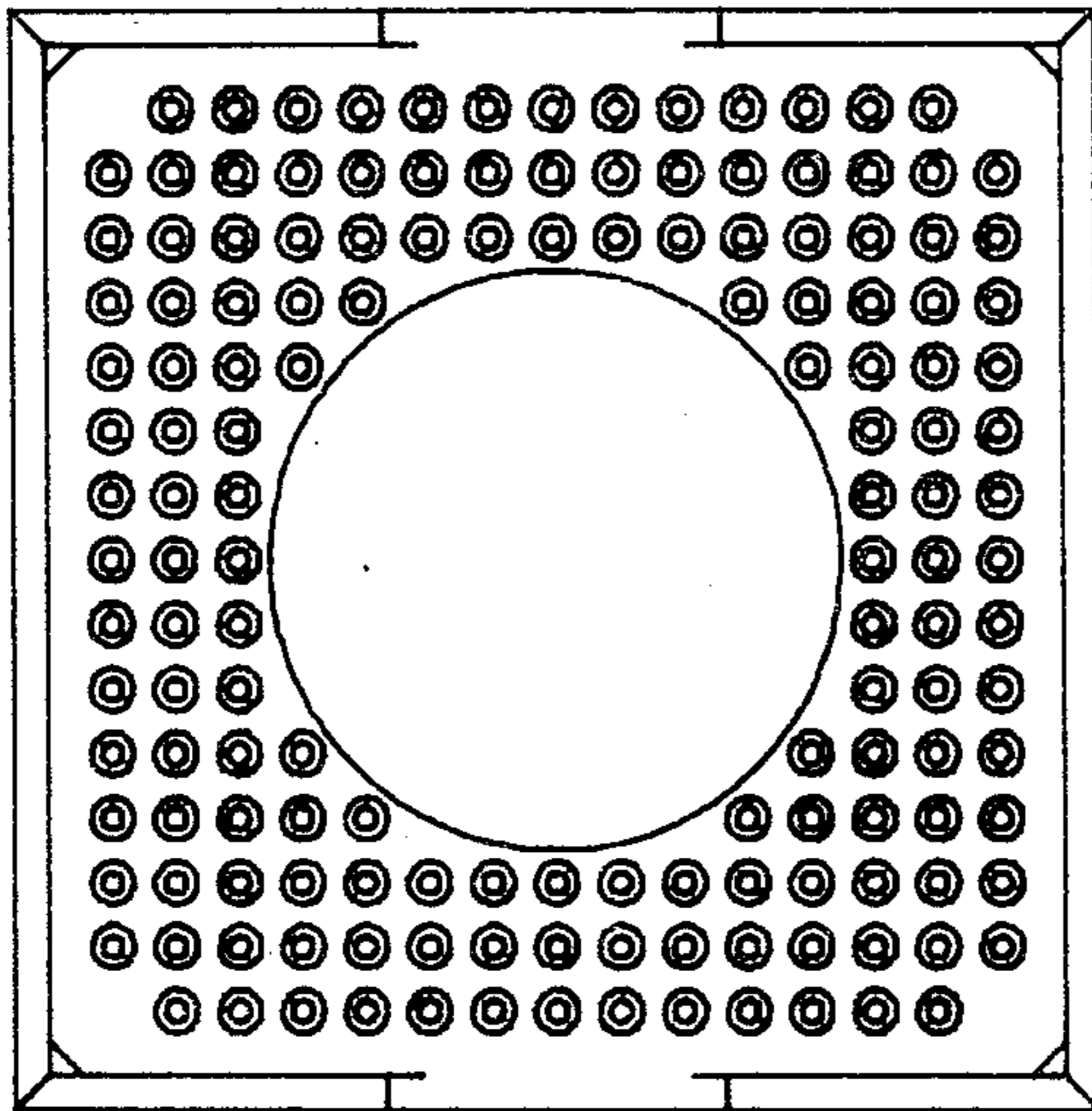


FIG. 7

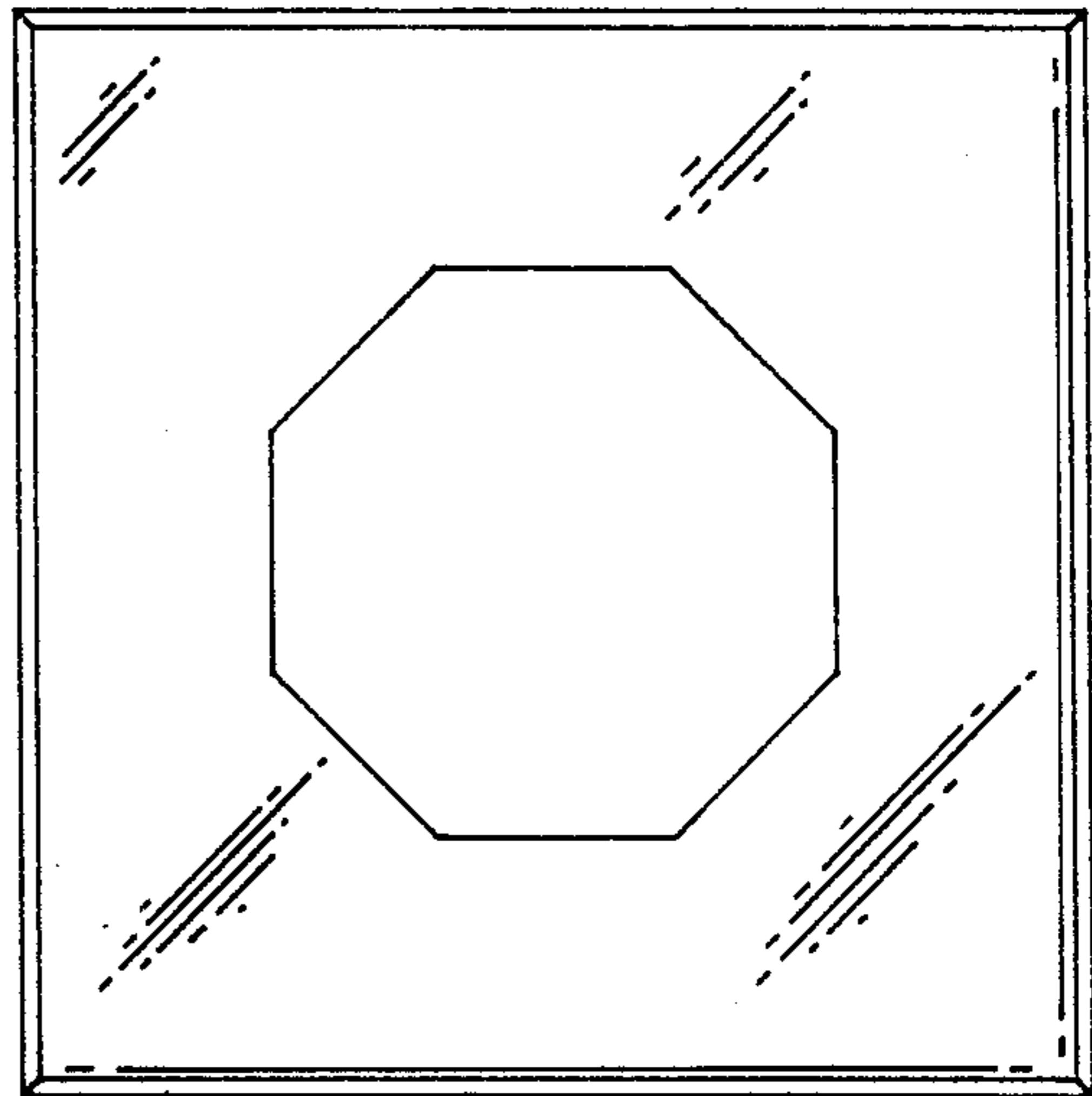


FIG. 3



FIG. 4

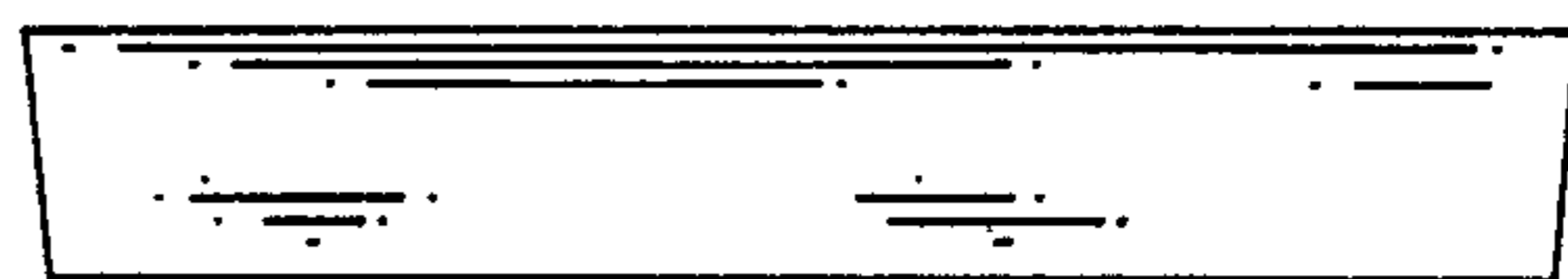


FIG. 5

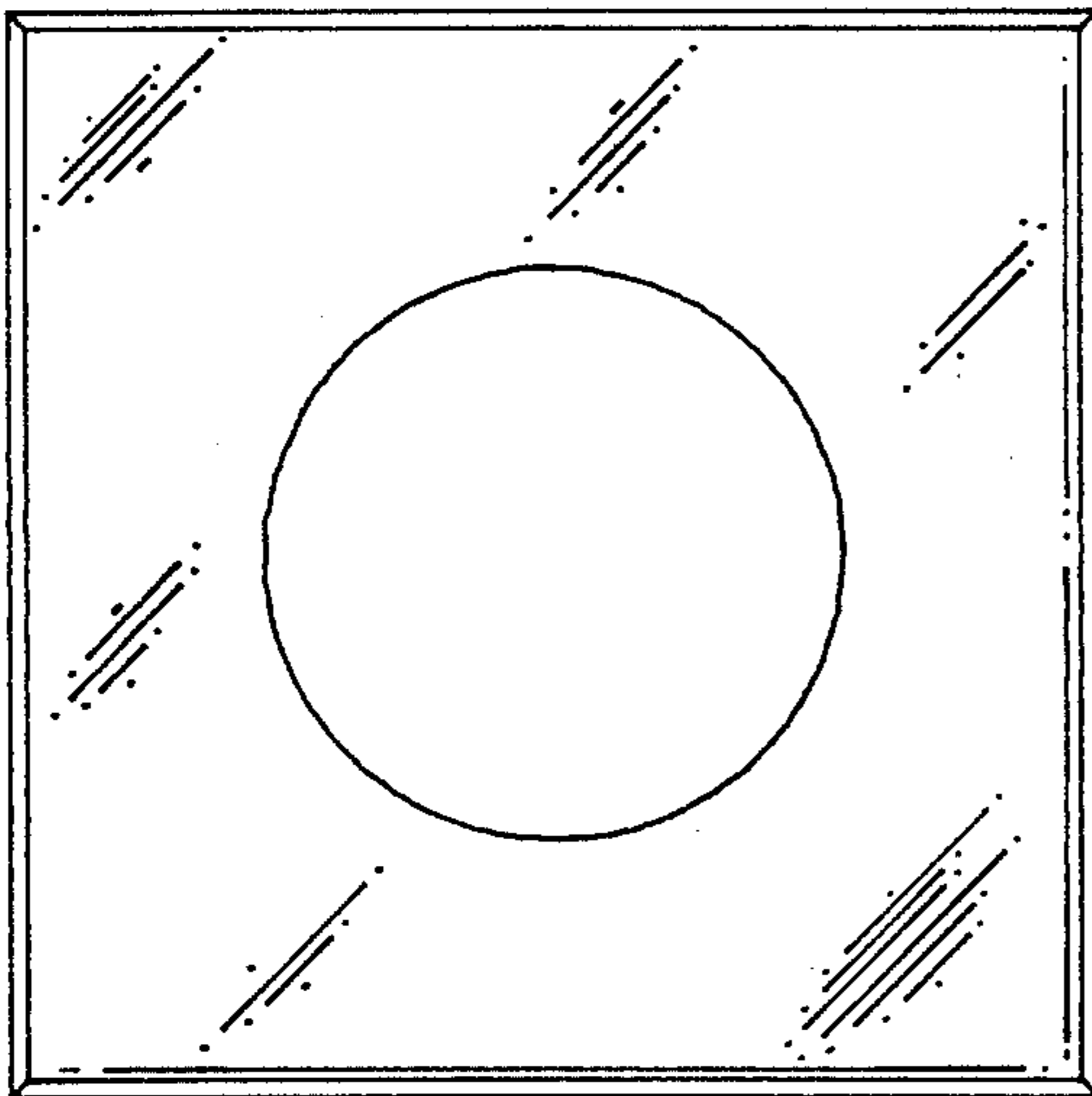


FIG. 8

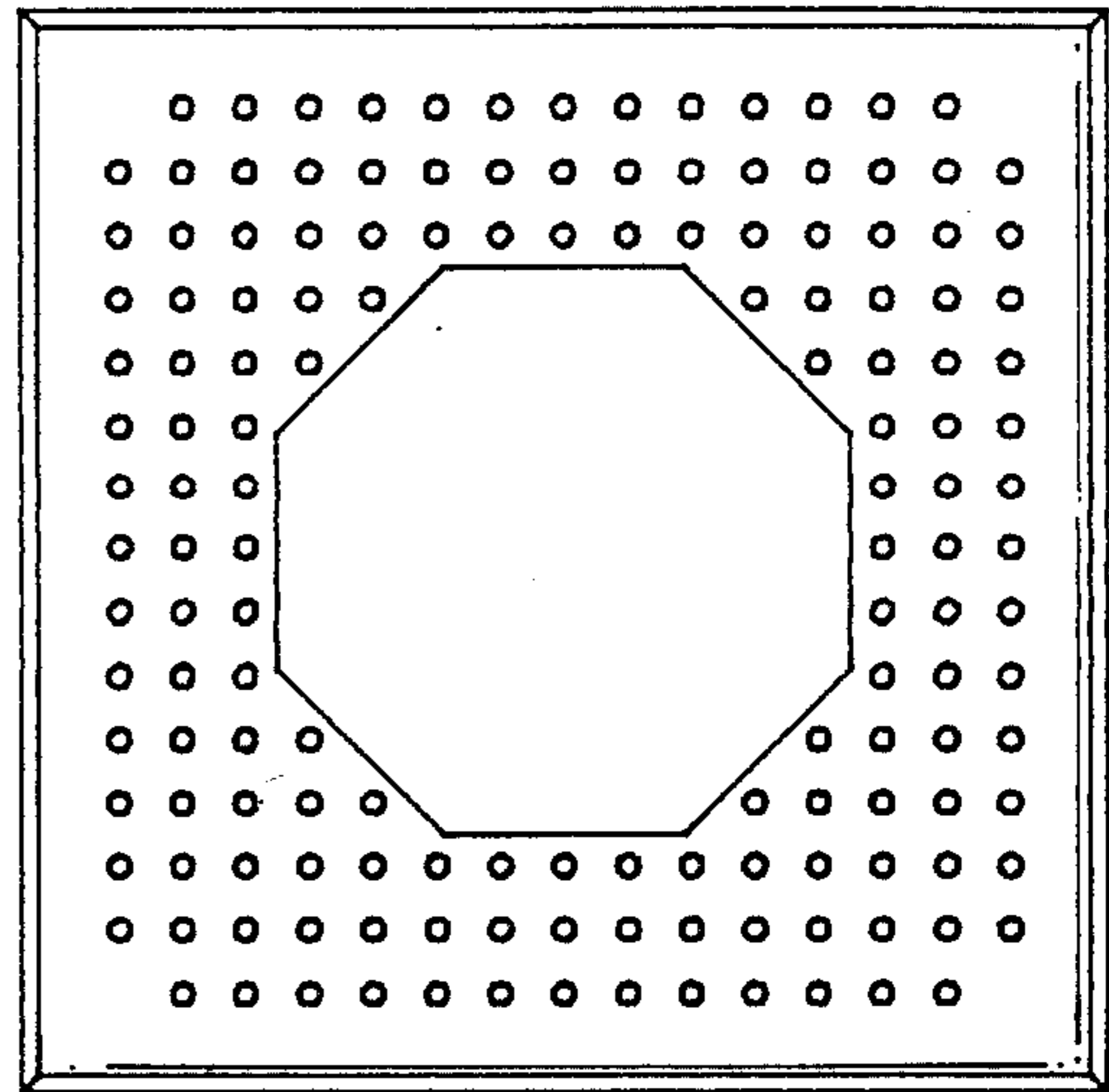


FIG. 11

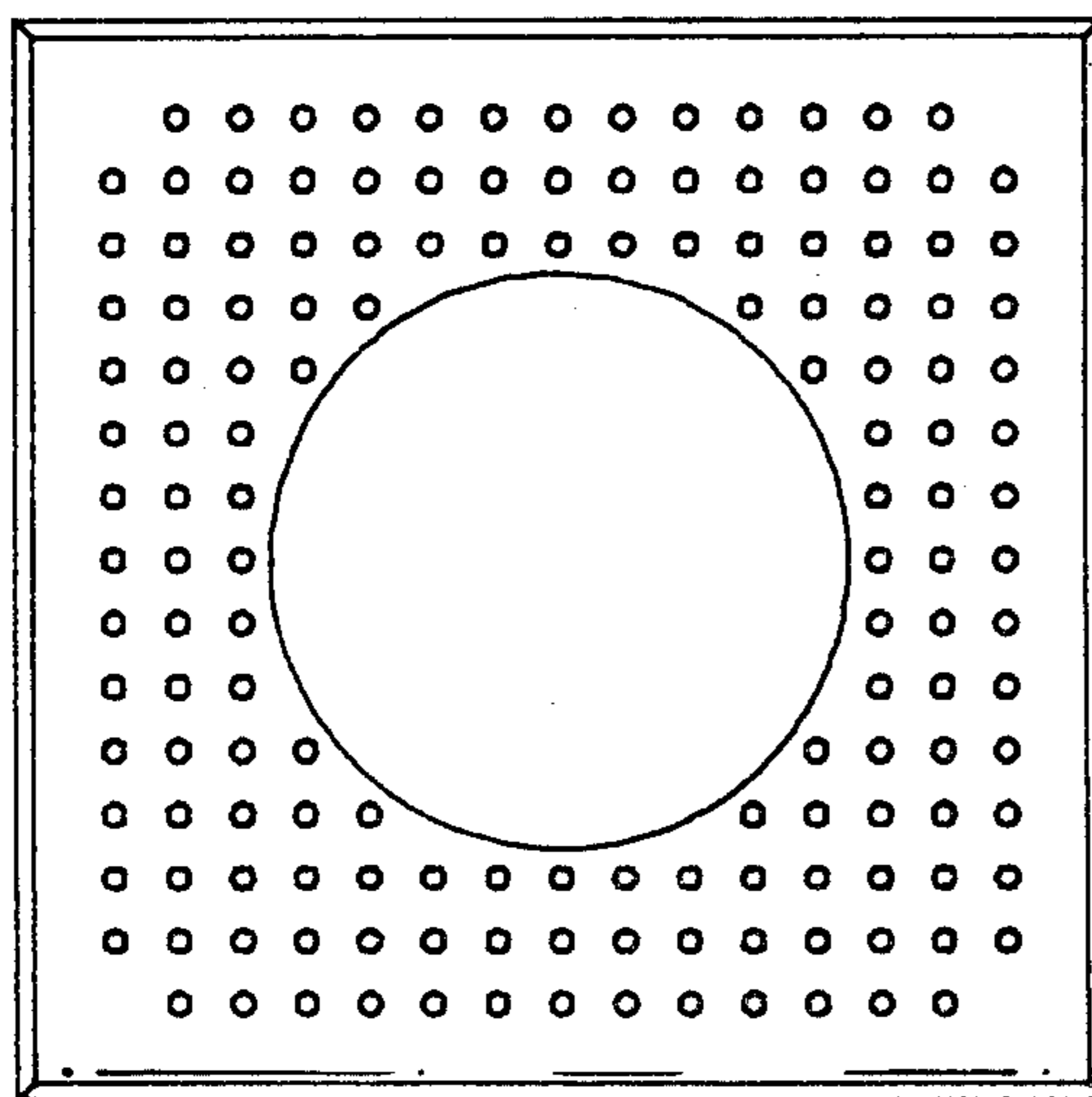


FIG. 12

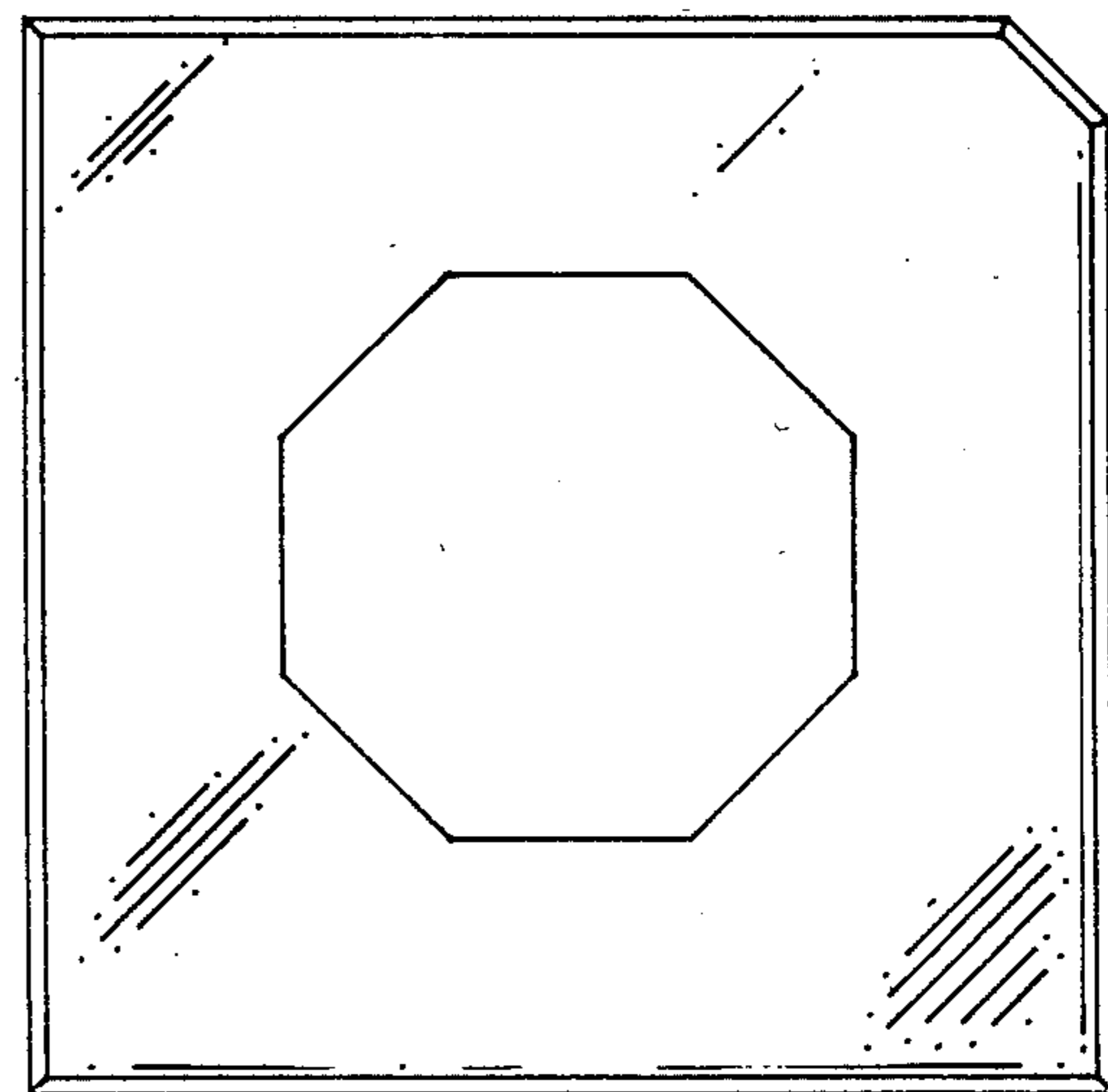


FIG. 10

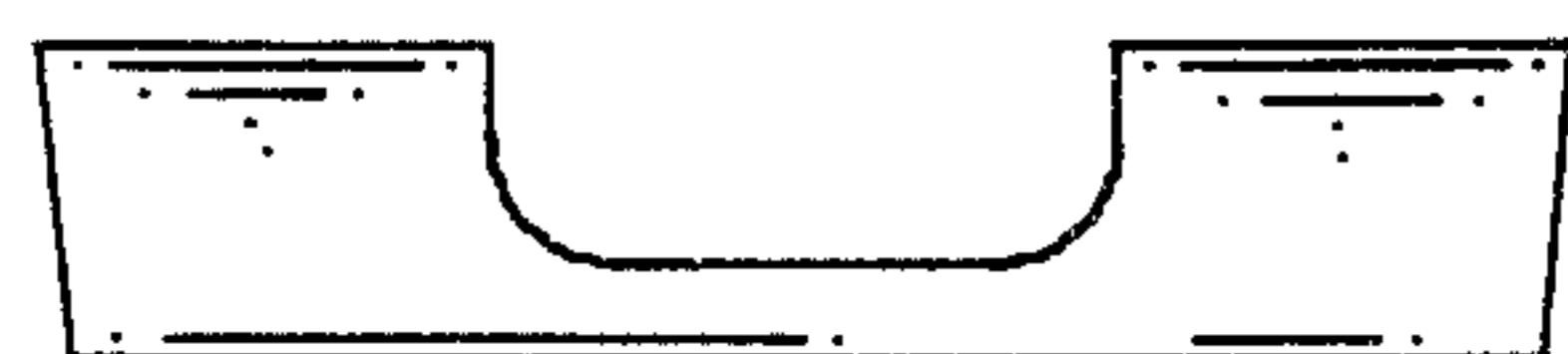


FIG. 16

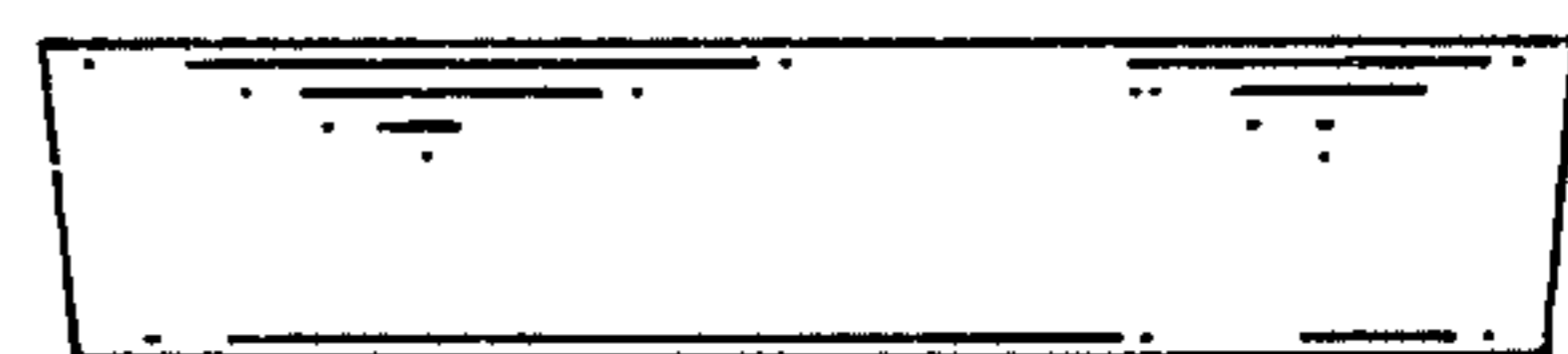
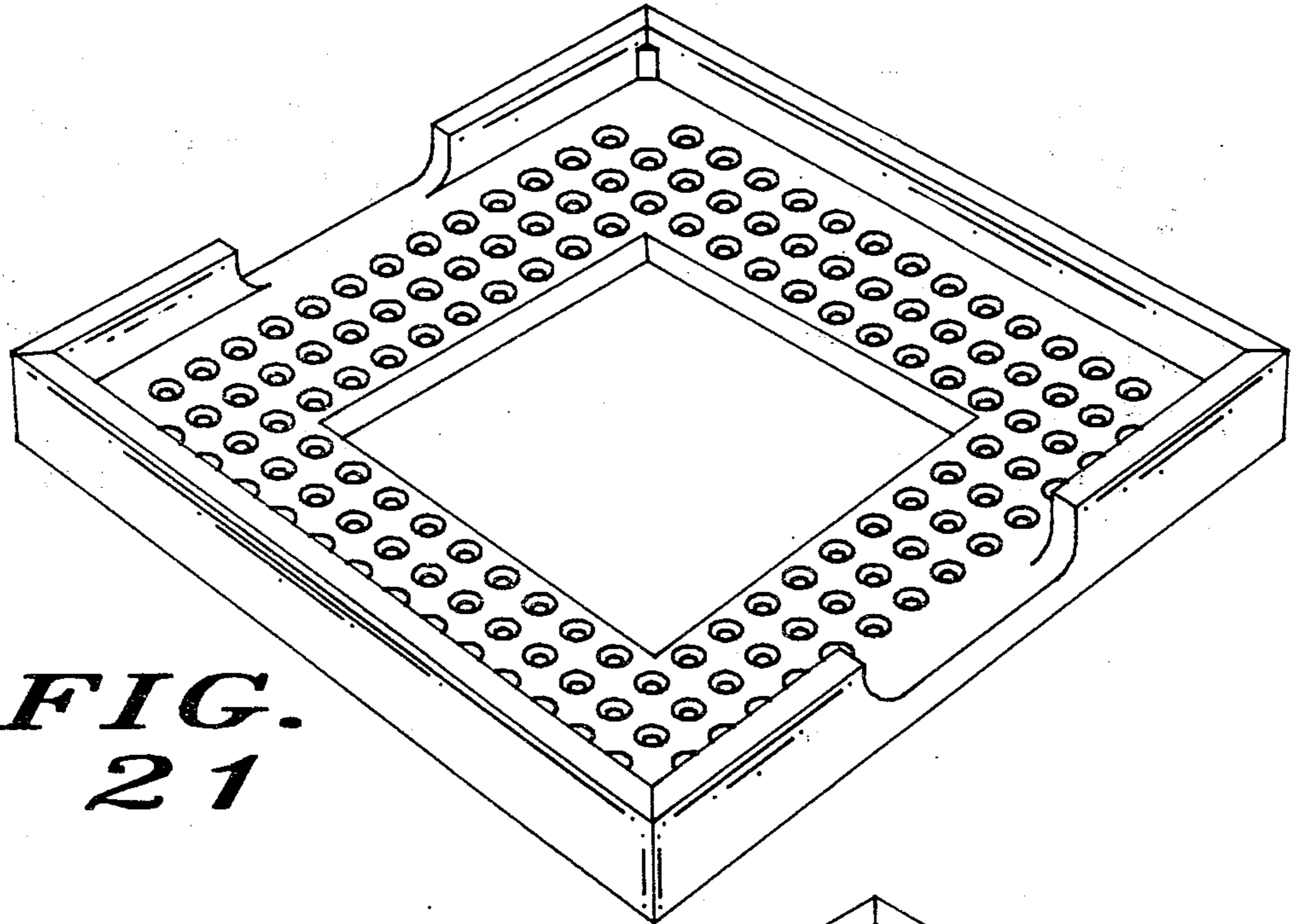
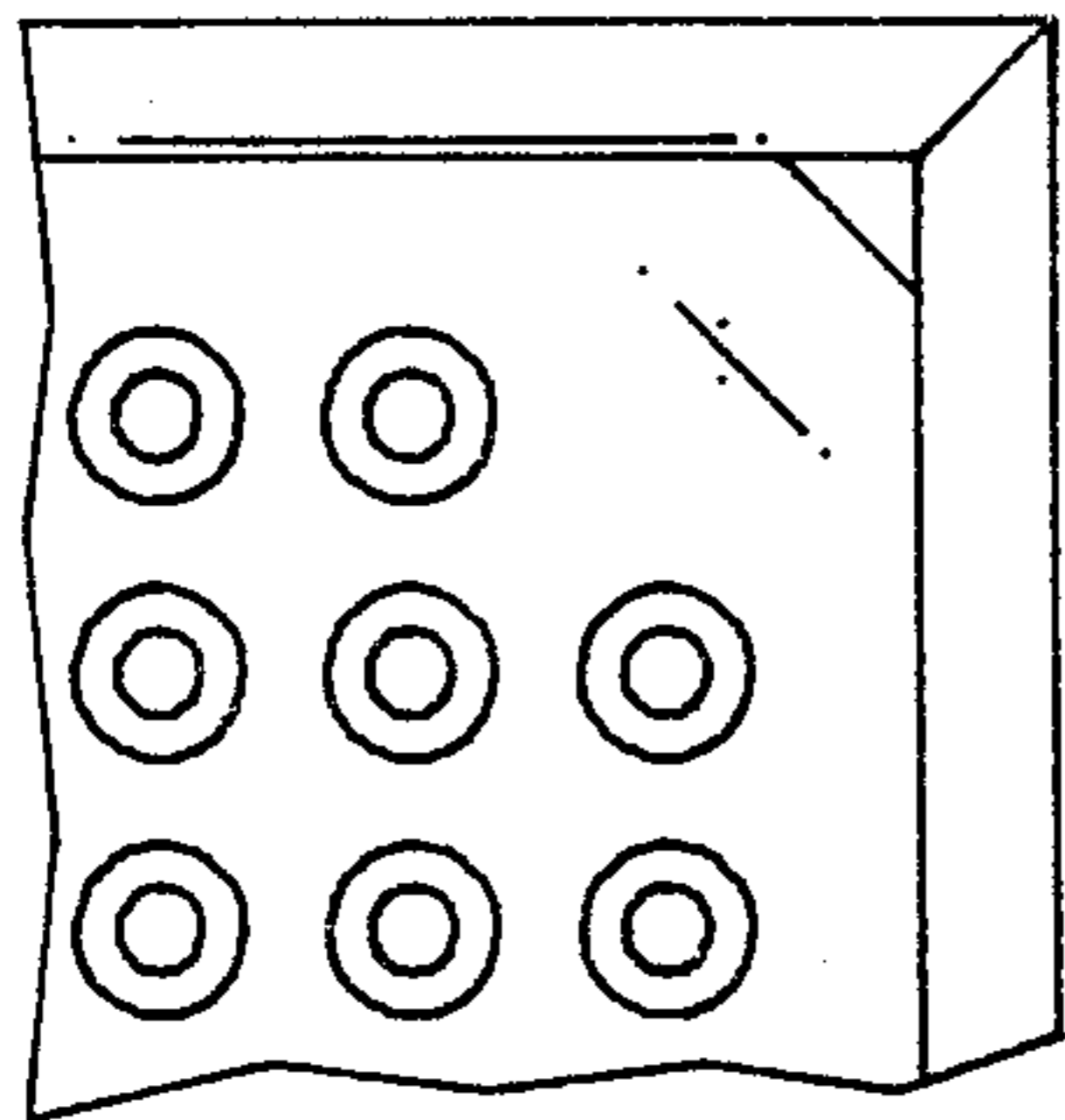


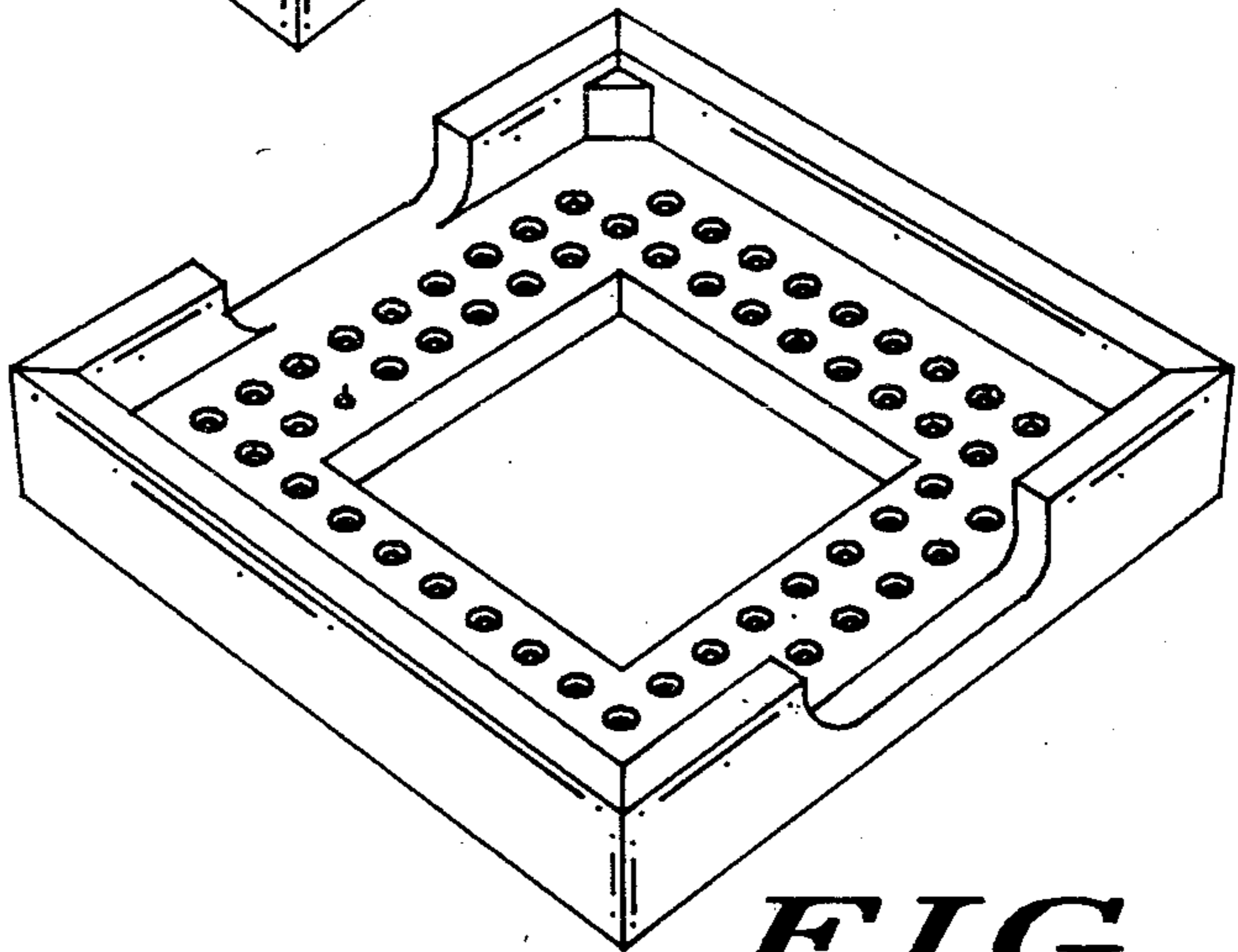
FIG. 17



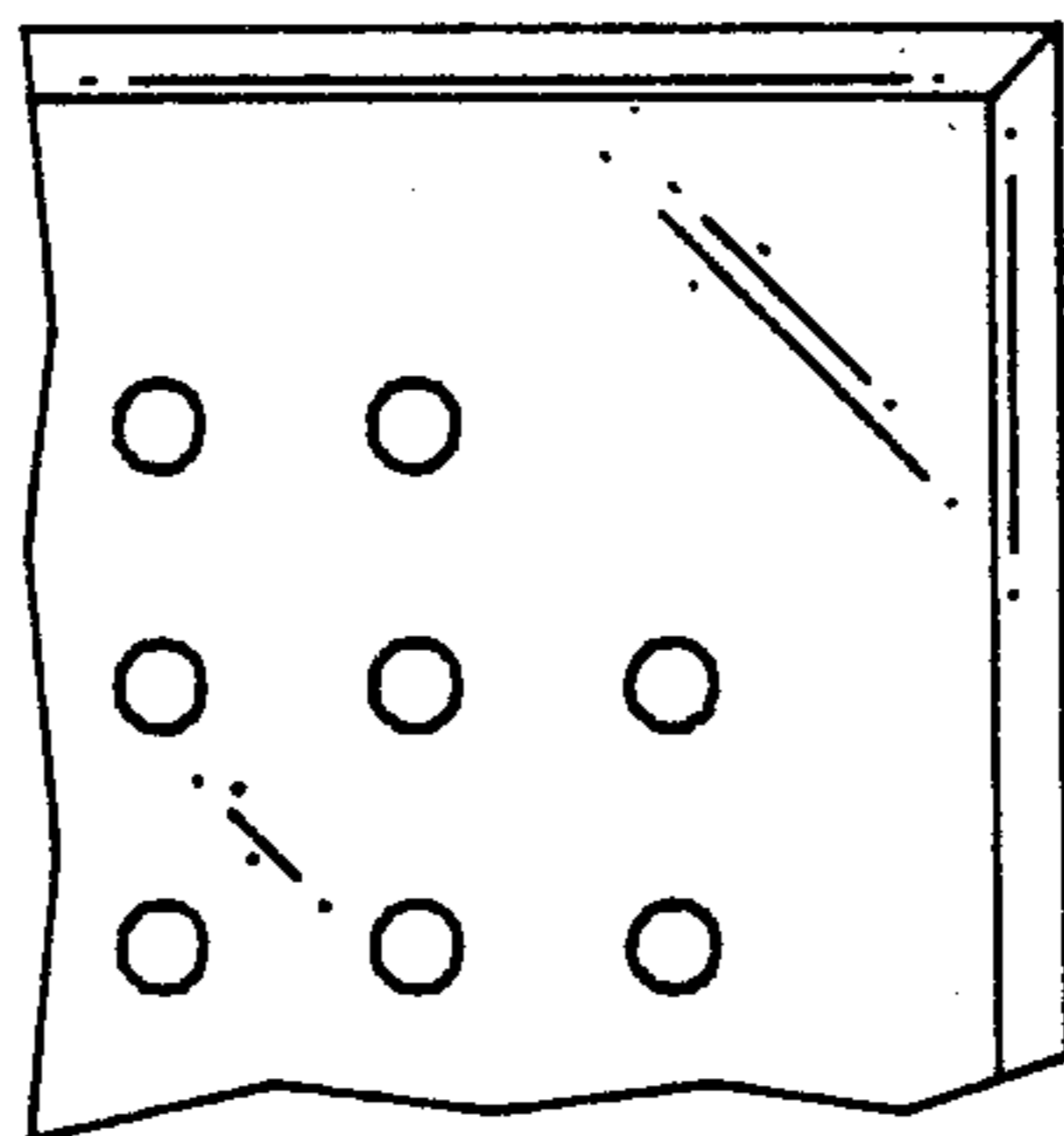
**FIG.
21**



**FIG.
22**



**FIG.
13**



**FIG.
23**

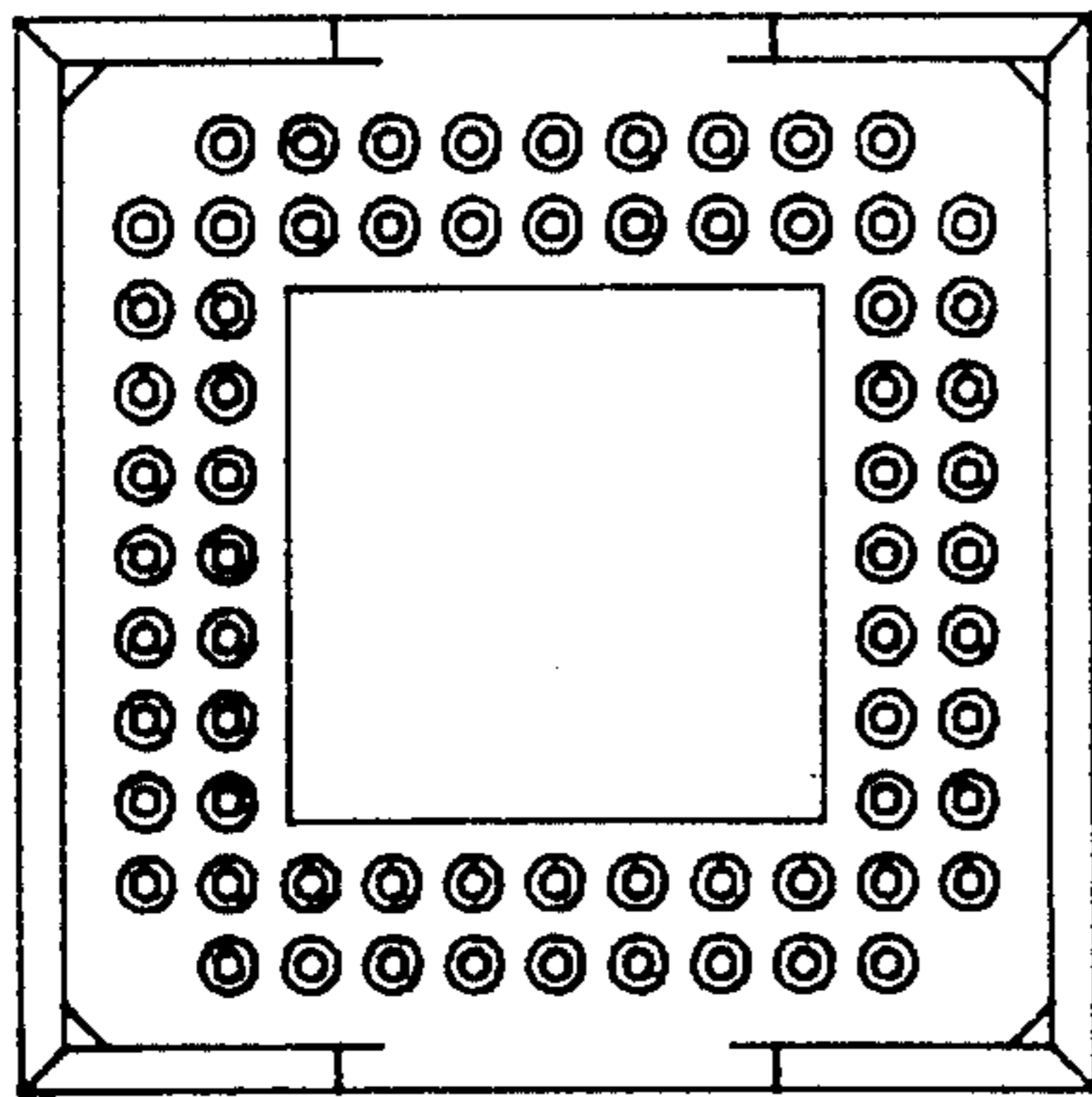


FIG. 14

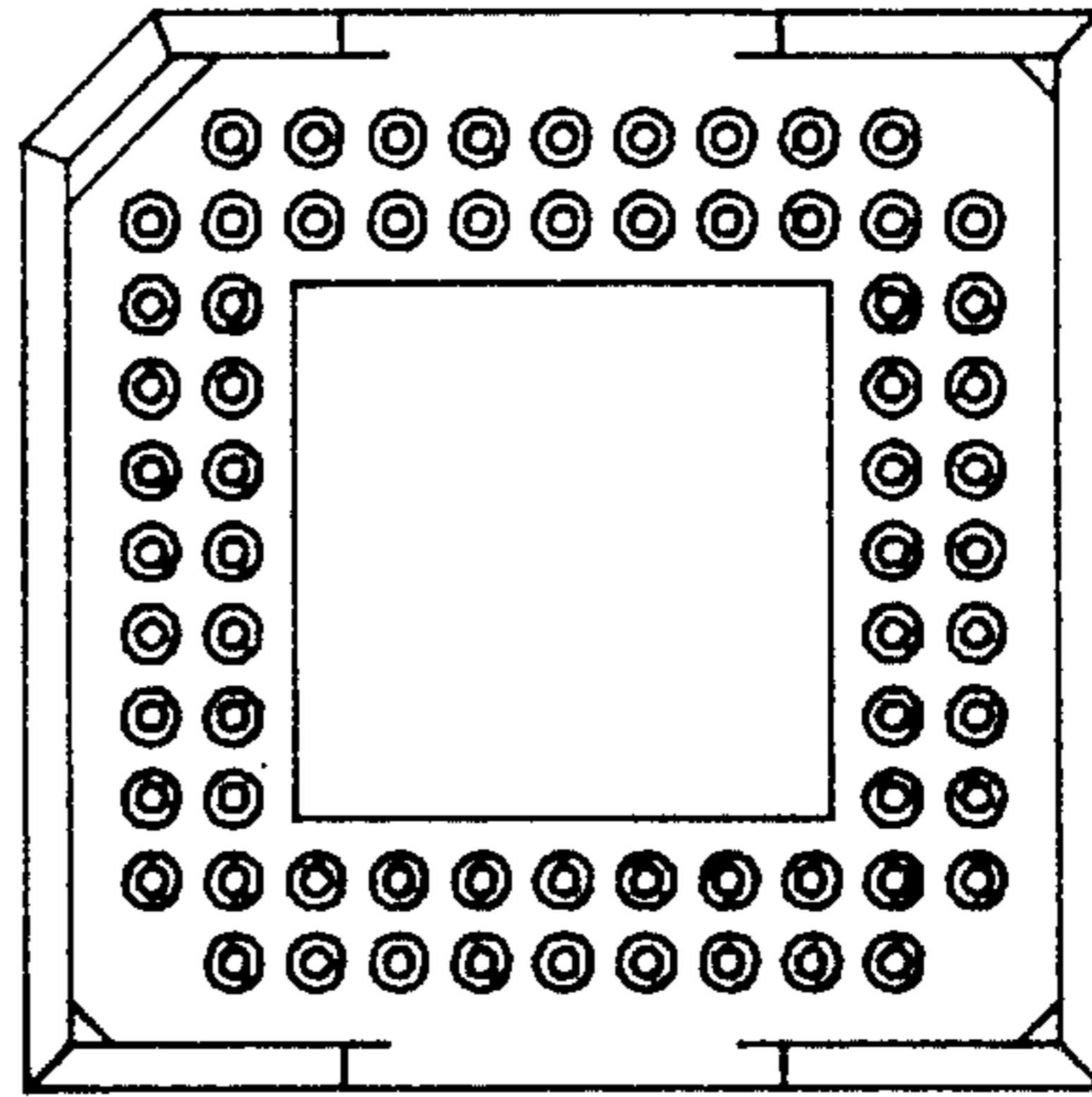


FIG. 18

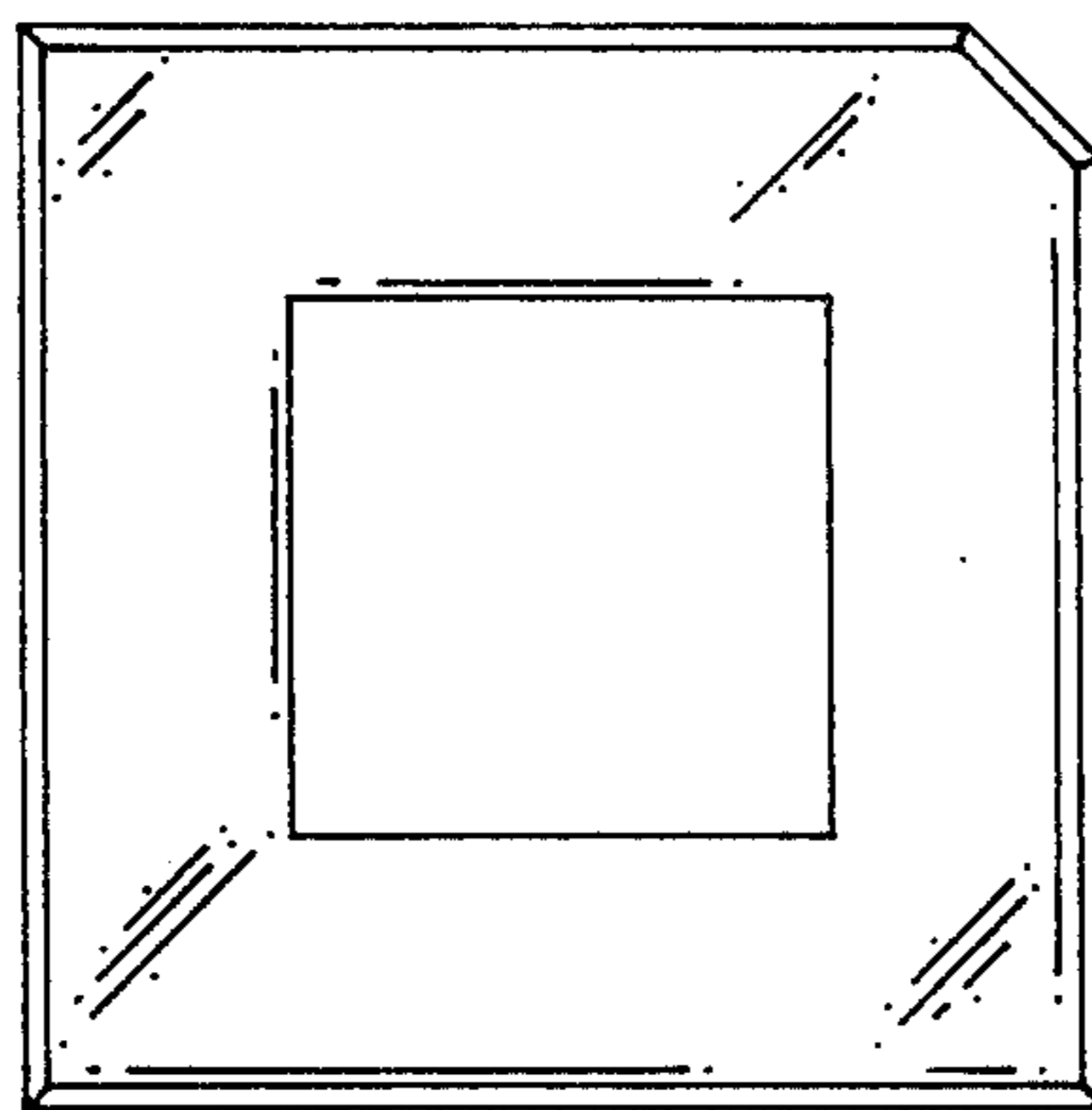


FIG. 19

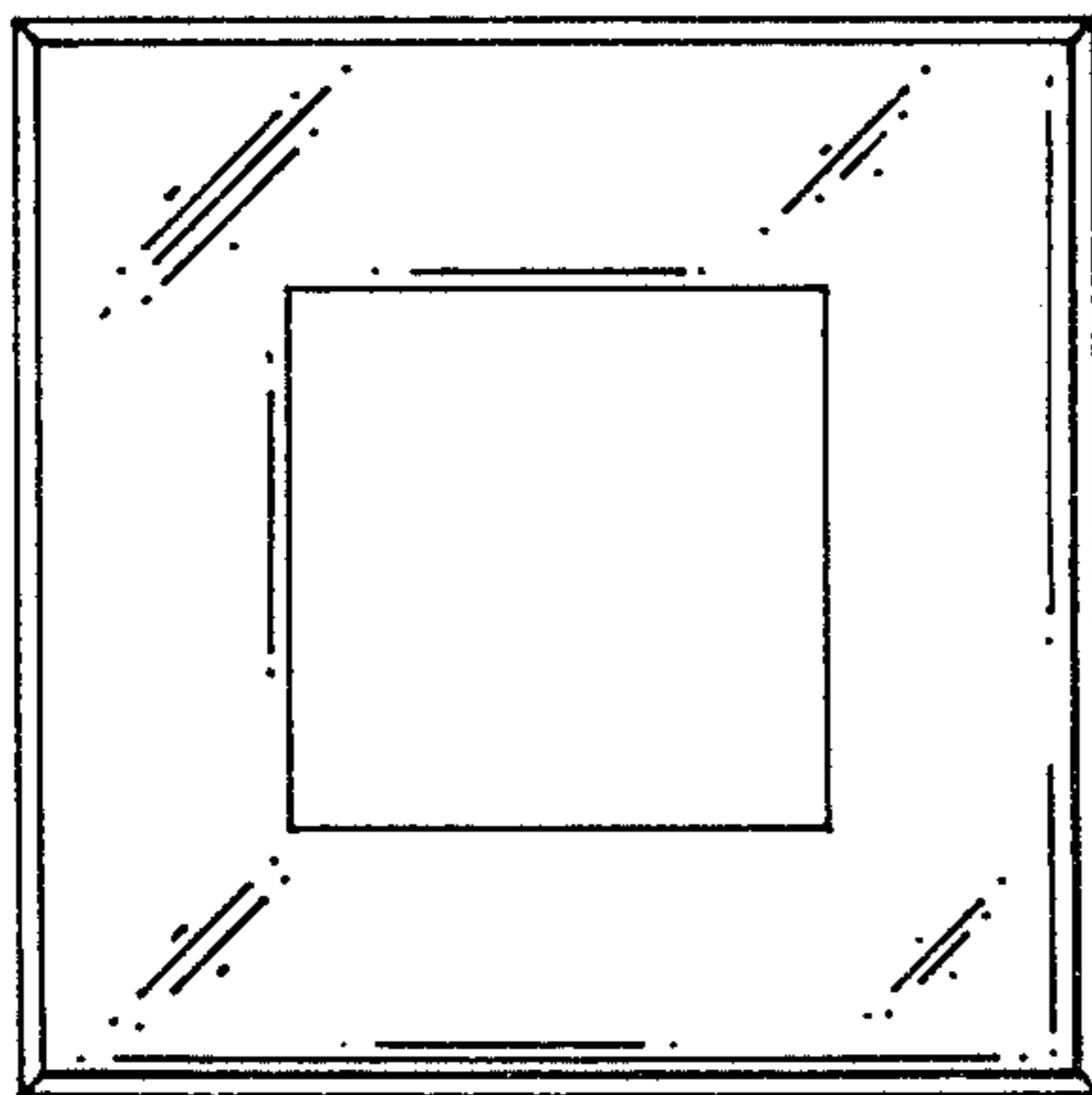


FIG. 15

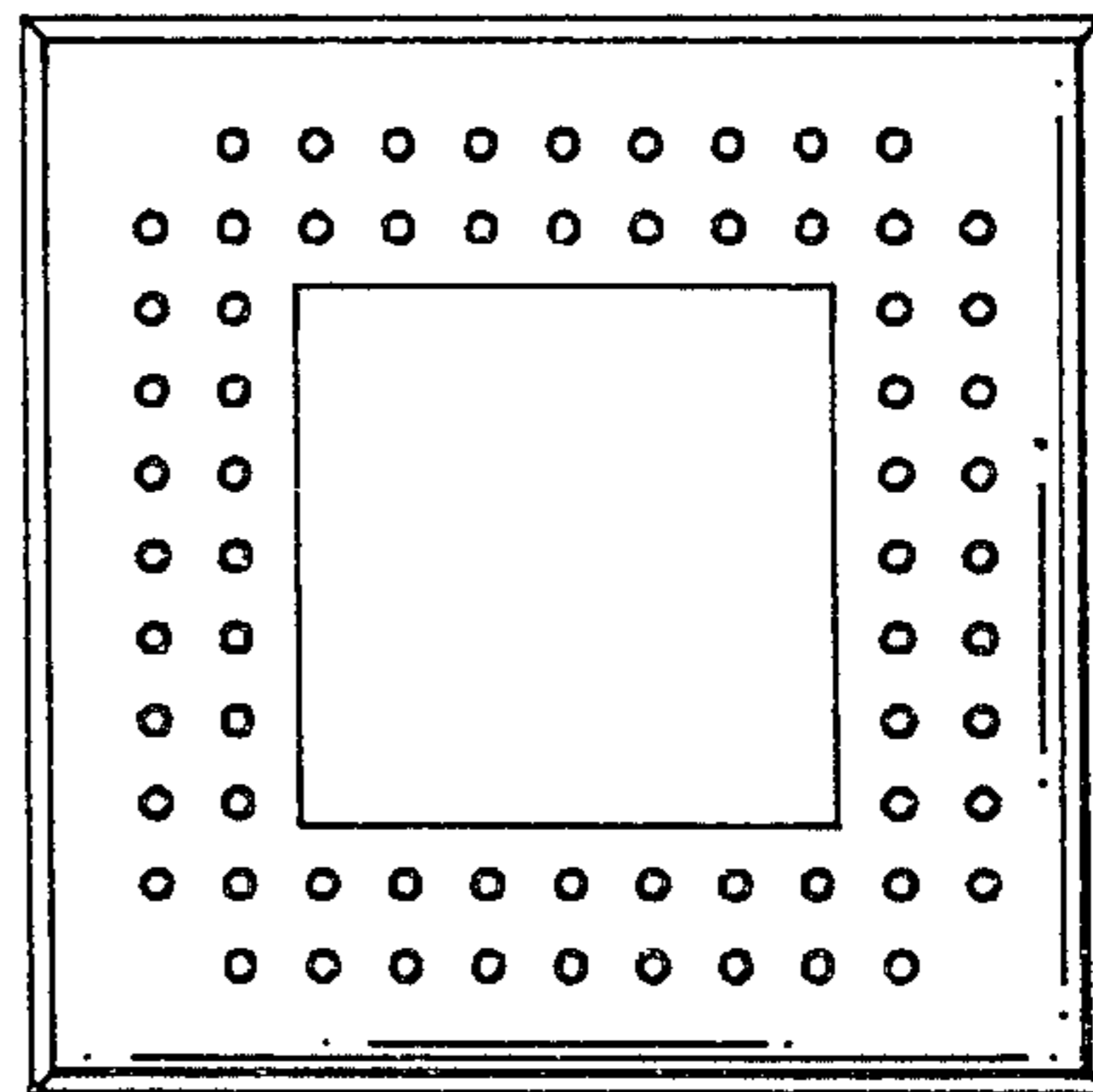


FIG. 20