

United States Patent [19]

Harris et al.

[11] Patent Number: **Des. 284,610**

[45] Date of Patent: **** Jul. 8, 1986**

- [54] **CLIPBOARD ATTACHMENT FOR SHOPPING CARTS**
- [76] Inventors: **Garrett R. Harris; Frances T. Harris**, both of 16 Mitchell Ave., Red Deer, Canada T4N0L2
- [**] Term: **14 Years**
- [21] Appl. No.: **527,189**
- [22] Filed: **Aug. 29, 1983**
- [30] **Foreign Application Priority Data**
- Mar. 28, 1983 [CA] Canada D28-0383-3
- [52] U.S. Cl. **D34/27**
- [58] Field of Search **D34/27, 17; 280/33.99 A**

- [56] **References Cited**
- U.S. PATENT DOCUMENTS**
- 2,888,761 6/1959 Miller D34/27
- 3,539,204 11/1970 Keller 280/33.99 A
- 4,156,318 5/1979 Economy 280/33.99 A

4,274,567 6/1981 Sawyer 280/33.99 A

FOREIGN PATENT DOCUMENTS

2716938 10/1978 Fed. Rep. of Germany ... 280/33.99 A

Primary Examiner—Wallace R. Burke
Assistant Examiner—Brian N. Vinson
Attorney, Agent, or Firm—Steele, Gould & Fried

[57] CLAIM

The ornamental design for a clipboard attachment for shopping carts, substantially as shown and described.

DESCRIPTION

FIG. 1 is a perspective view of a clipboard attachment for shopping carts showing our new design;
 FIG. 2 is a top plan view thereof;
 FIG. 3 is a bottom plan view thereof;
 FIG. 4 is a front elevation view thereof;
 FIG. 5 is a side elevation view thereof.
 The undisclosed side is the same in appearance as the side shown.

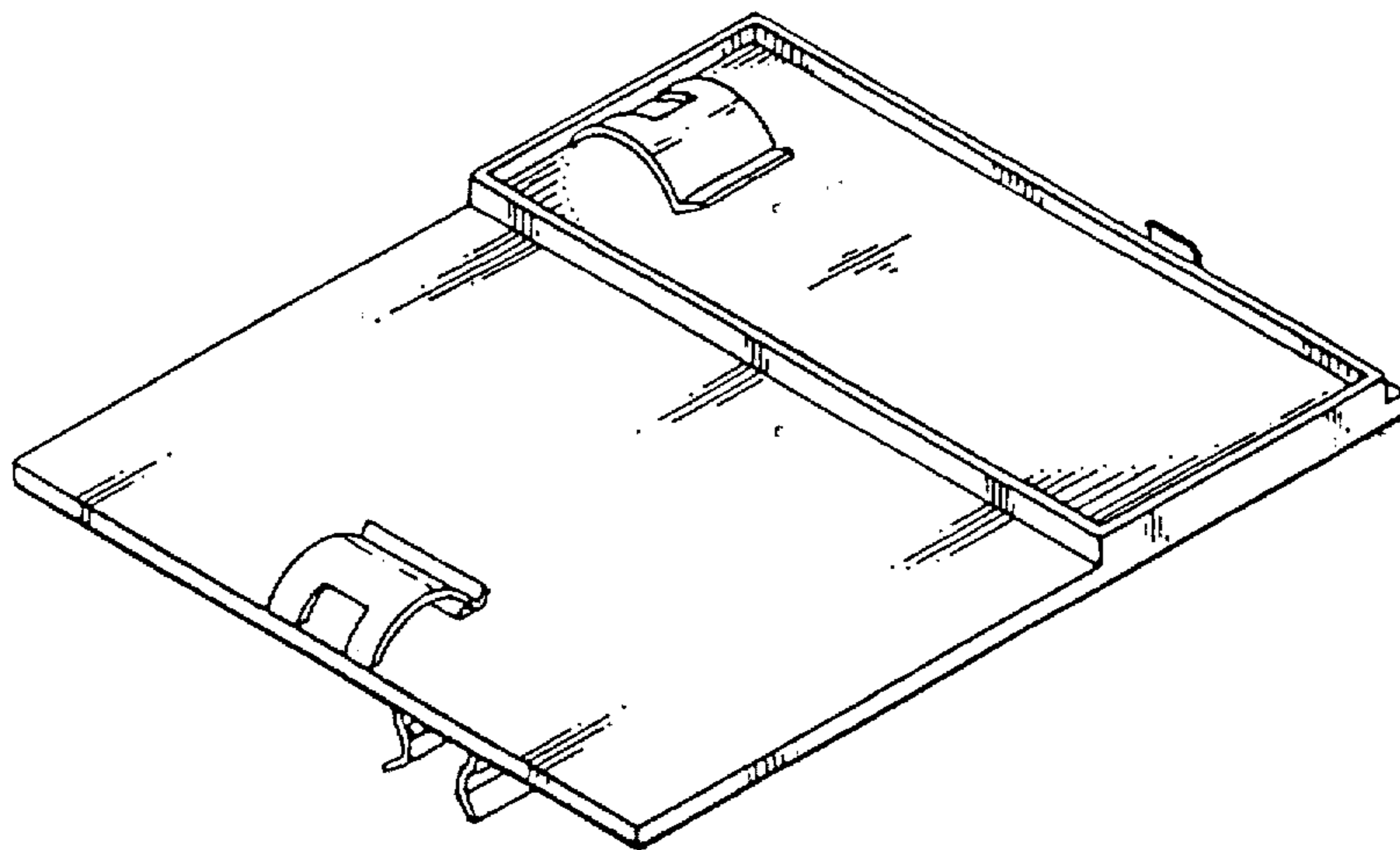


FIG. 1

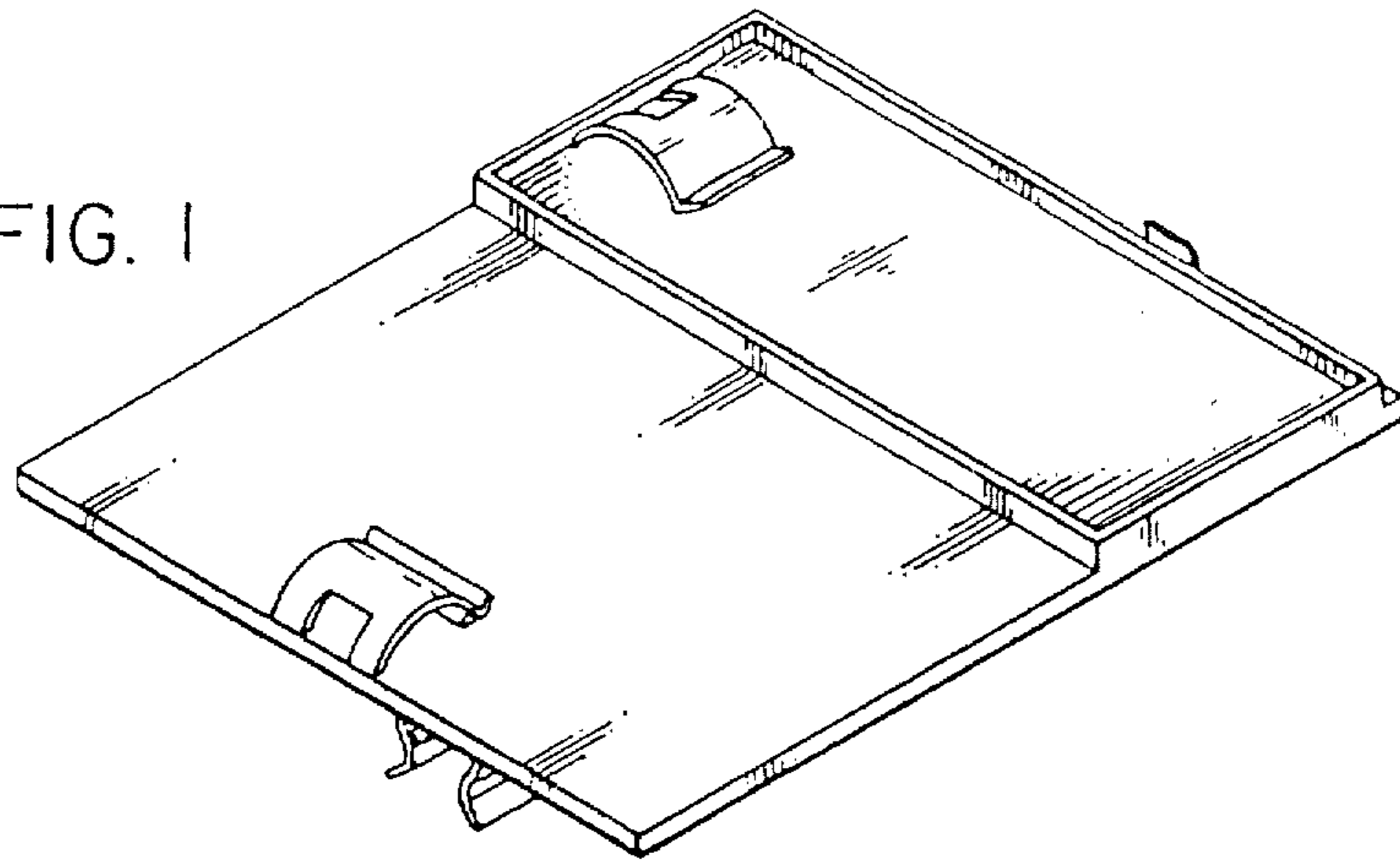


FIG. 2

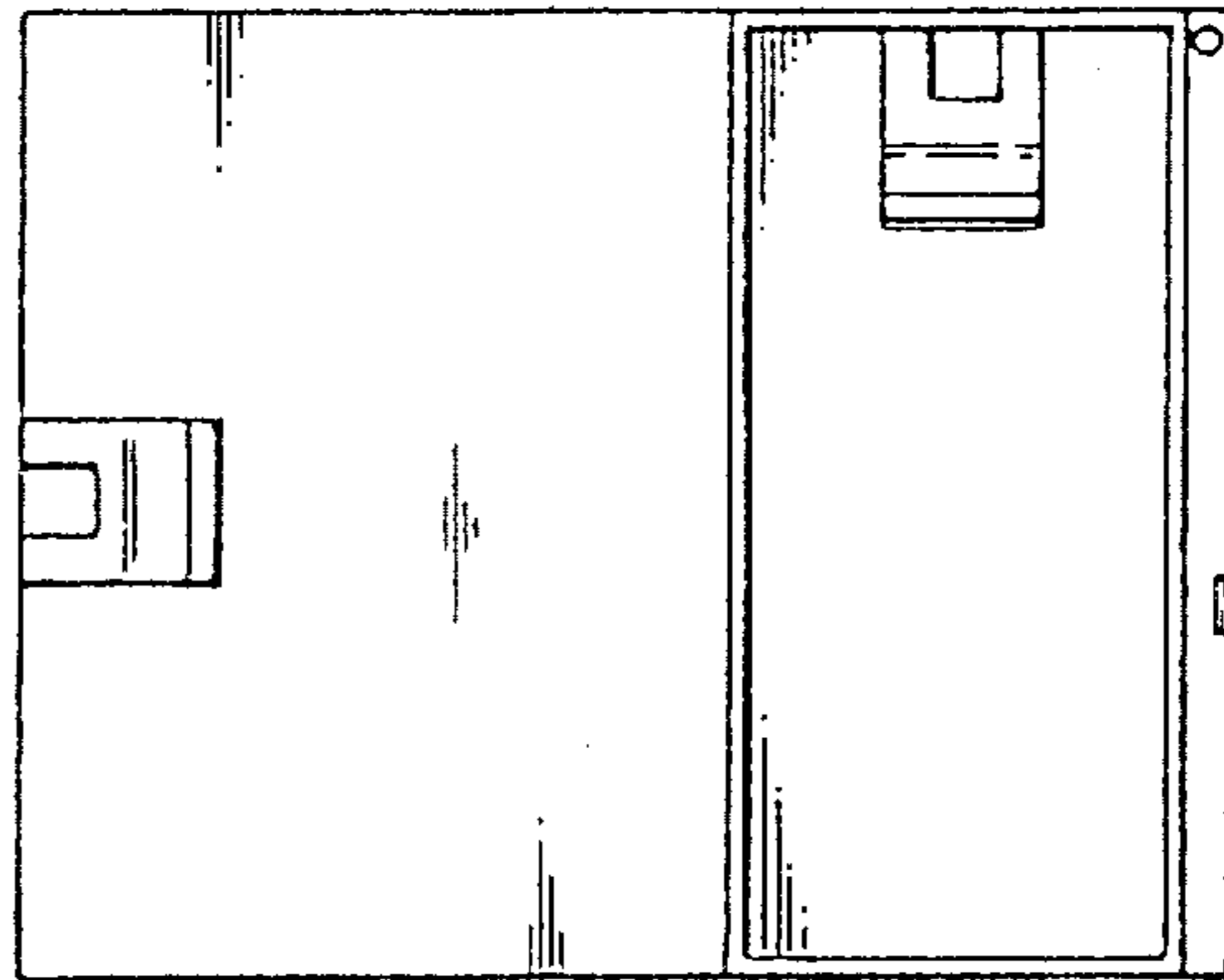


FIG. 3

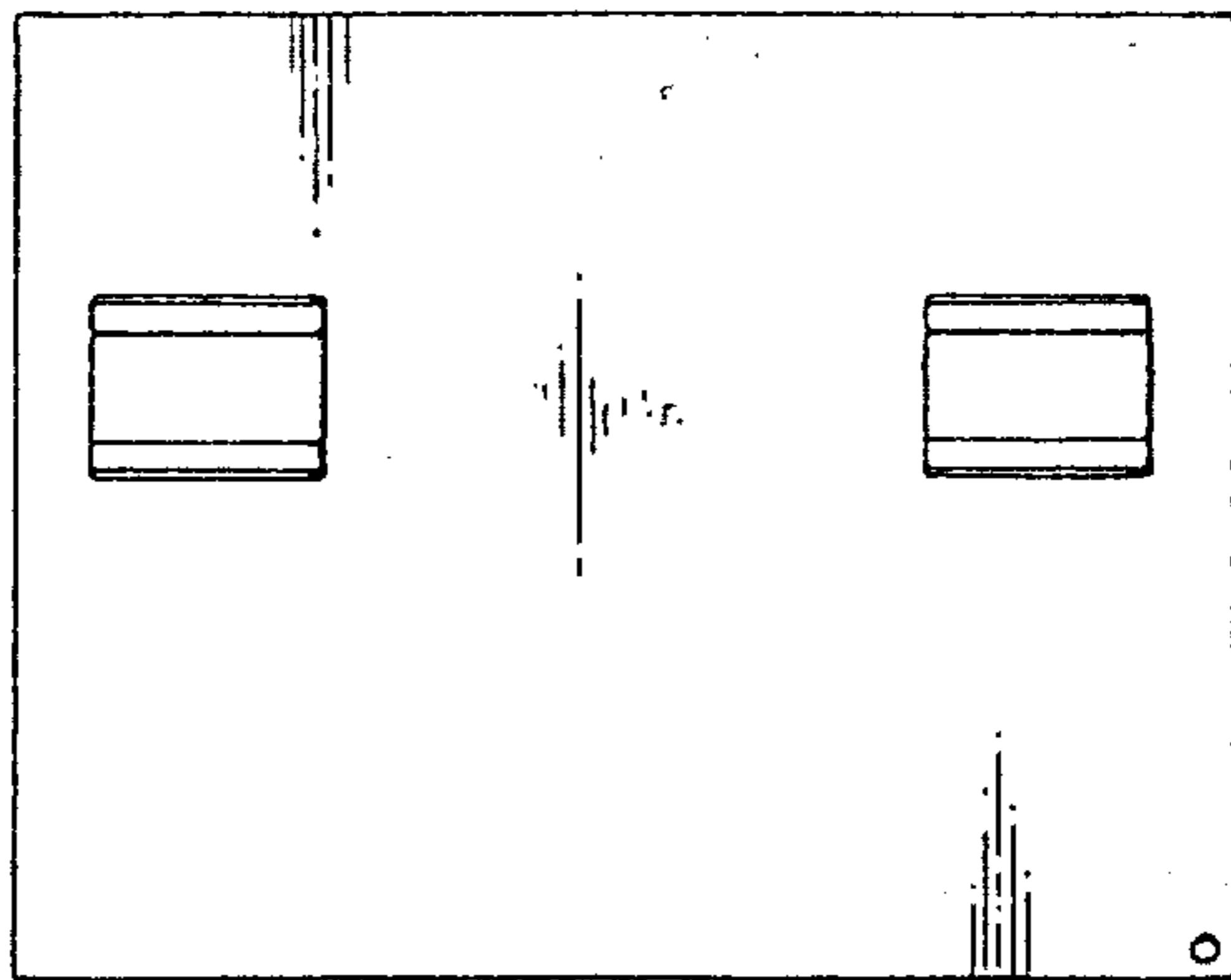


FIG. 4

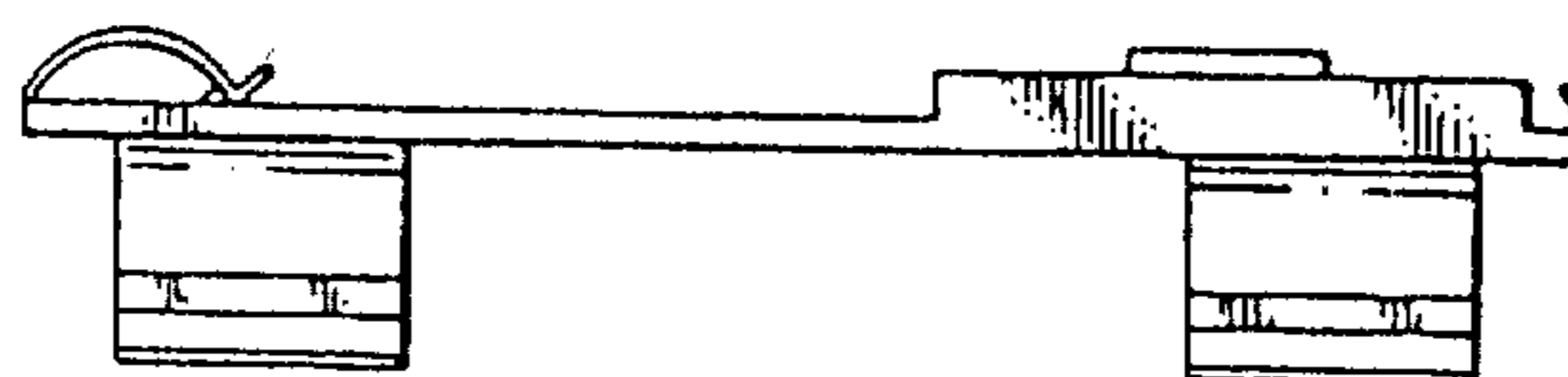


FIG. 5

