

[54] **PAIR OF BRACKETS FOR HOLDING A PLASTIC BAG**

[76] **Inventor: William D. Hampton, 110 B Estates Dr., Roseville, Calif. 95678**

[\*\*] **Term: 14 Years**

[21] **Appl. No.: 756,536**

[22] **Filed: Jul. 19, 1985**

[52] **U.S. Cl. .... D34/6; D8/381**

[58] **Field of Search ..... D34/1, 5, 6; D6/491, D6/466; D8/373, 380, 381; 248/95, 97, 98, 99, 100, 101, 201; 211/87, 88; 141/390; 232/43.2, 1 B**

[56] **References Cited**

**U.S. PATENT DOCUMENTS**

D. 266,482	10/1982	Goldstein	.....	D8/381
688,238	12/1901	Davis	.....	248/97
1,516,451	11/1924	McKenzie	.....	248/97

*Primary Examiner*—James M. Gandy  
*Assistant Examiner*—Kay H. Chin  
*Attorney, Agent, or Firm*—Lothrop & West

[57] **CLAIM**

The ornamental design for a pair of brackets for holding a plastic bag, as shown and described.

**DESCRIPTION**

FIG. 1 is a perspective view of a pair of brackets for holding a plastic bag, showing my new design, the bag, shown in broken line, illustrating the environment and forming no part of the design;

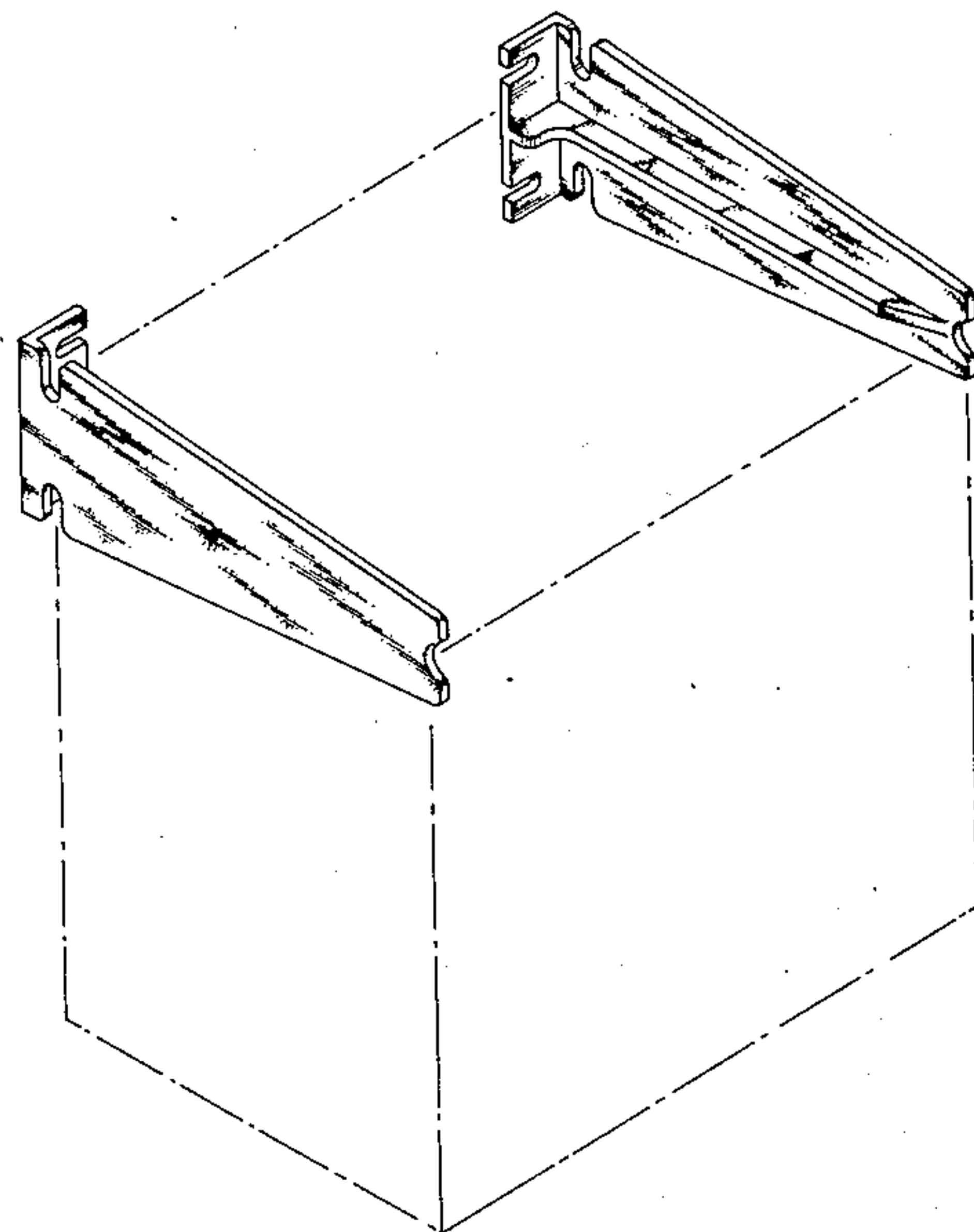
FIG. 2 is a side elevational view of one of the brackets shown in FIG. 1;

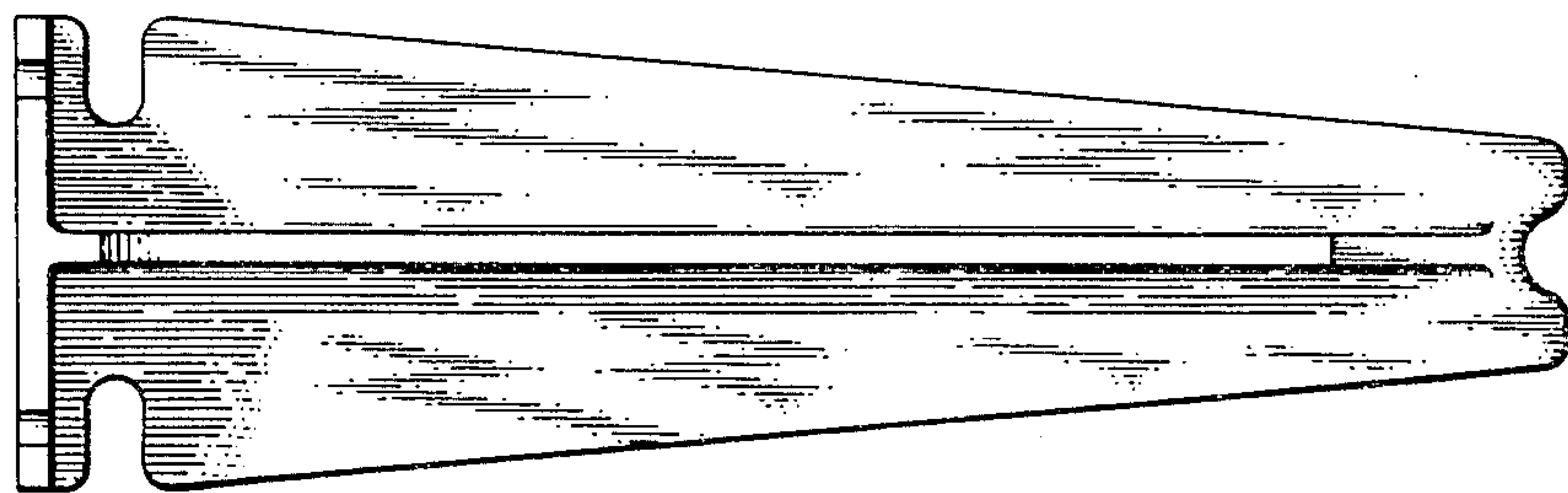
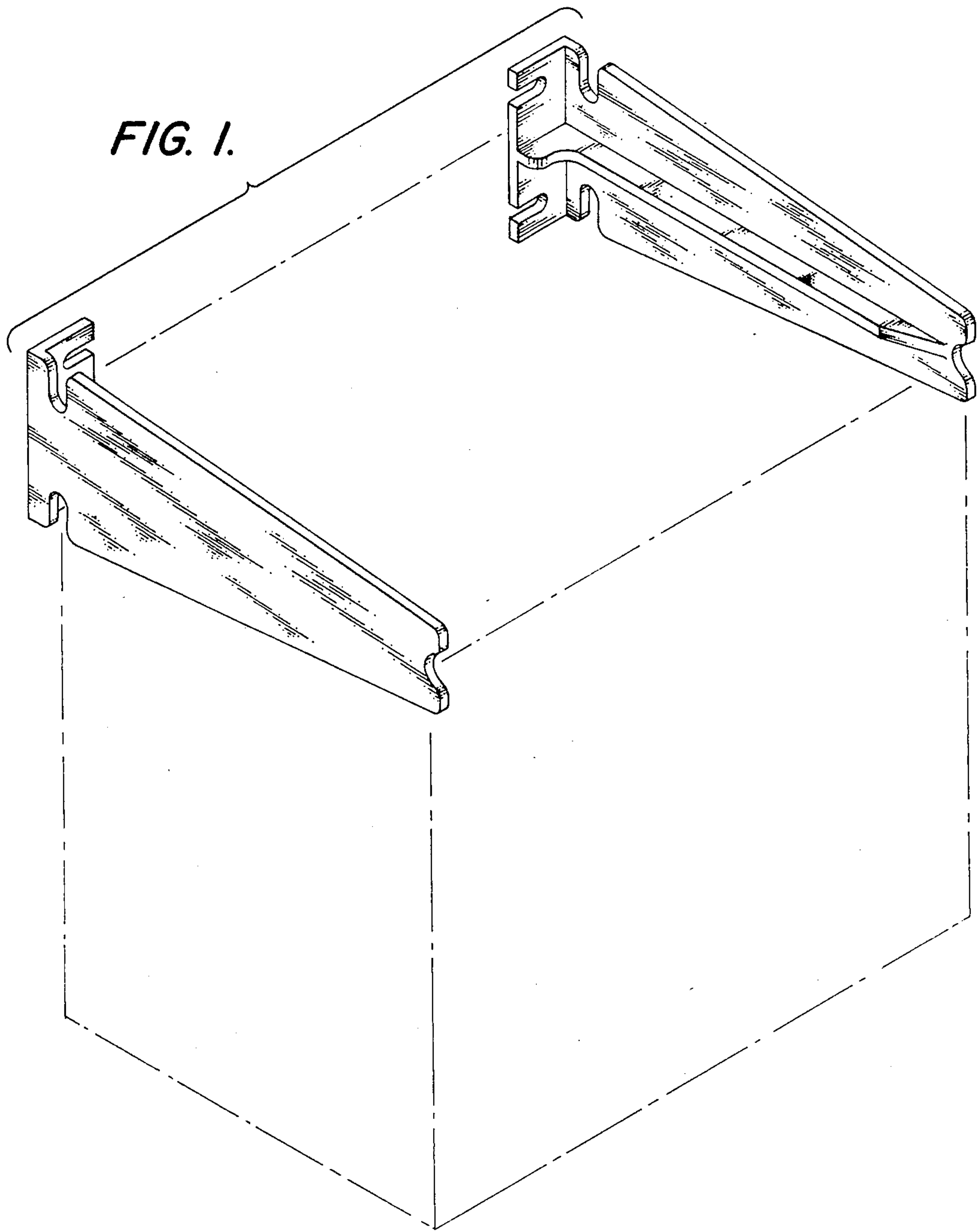
FIG. 3 is a top plan view of FIG. 2, the bottom plan view being a mirror image of that shown;

FIG. 4 is a side elevational view opposite to that shown in FIG. 2;

FIG. 5 is a rear elevational view of FIG. 2; and

FIG. 6 is a front elevational view of FIG. 2.





*FIG. 2.*

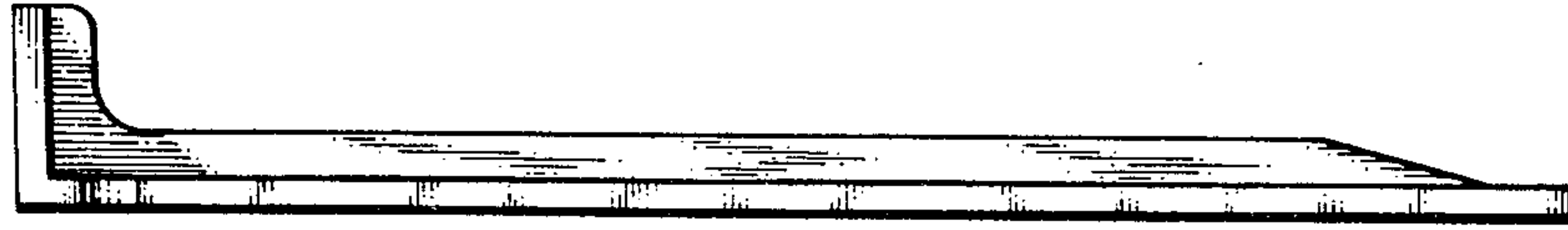


FIG. 3.

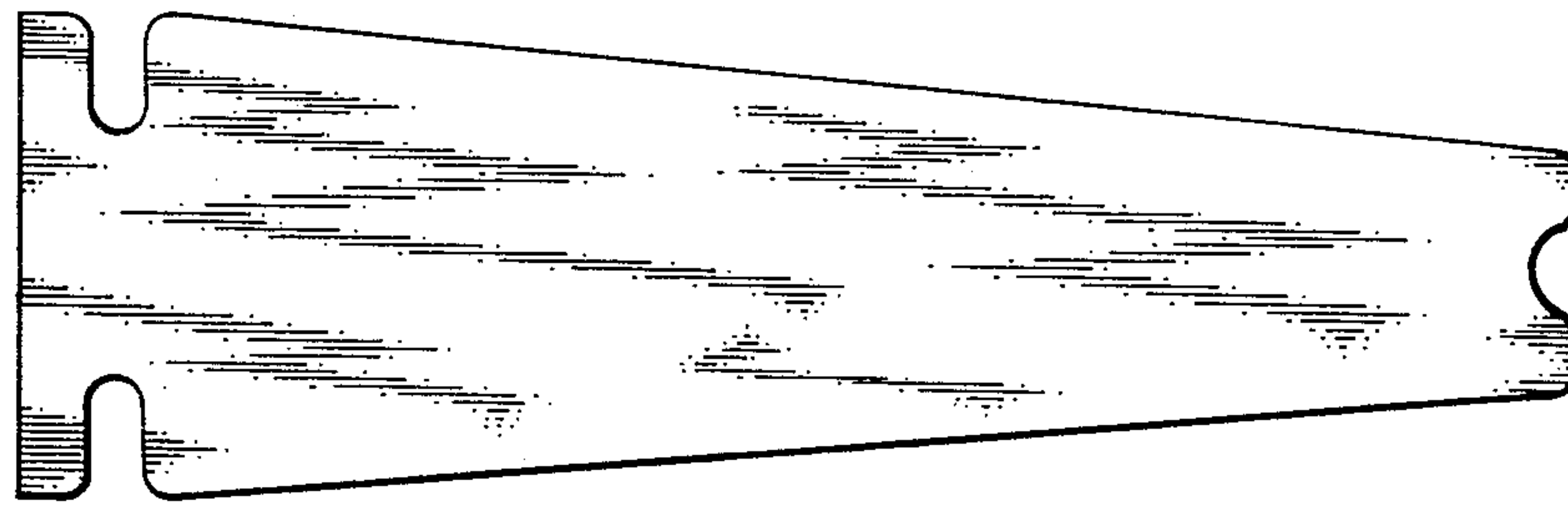


FIG. 4.

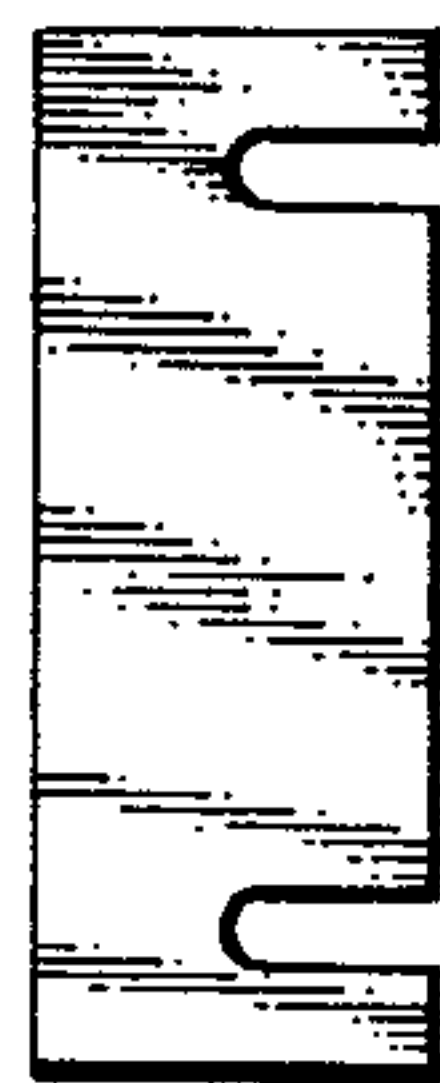


FIG. 5.



FIG. 6.