

[54] CONTAINER FOR TOBACCO PRODUCTS

[76] Inventor: Daniel M. Koontz, 7810 Bradley Rd., P.O. Box 400, Somis, Calif. 91006

[\*\*] Term: 14 Years

[21] Appl. No.: 639,851

[22] Filed: Aug. 13, 1984

[52] U.S. Cl. .... D27/47

[58] Field of Search ..... D27/43, 47-49; 206/85-95, 236, 242, 249, 250, 251, 256, 259, 261-275

[56] References Cited

U.S. PATENT DOCUMENTS

D. 22,418 5/1893 Housman ..... D27/43

FOREIGN PATENT DOCUMENTS

41352 of 1910 Austria ..... 206/256
101699 11/1925 Austria ..... 206/265
385584 12/1923 Fed. Rep. of Germany ..... 206/265
257776 9/1926 United Kingdom ..... 206/267
455724 10/1936 United Kingdom ..... 206/256
611672 11/1948 United Kingdom ..... 206/256

Primary Examiner—Catherine E. Kemper
Attorney, Agent, or Firm—Pastoriza, Kelly & Lowry

[57] CLAIM

The ornamental design for a container for tobacco products, substantially as shown and described.

DESCRIPTION

FIG. 1 is a perspective view showing the front top, and right sides of a container for tobacco products showing my new design;

FIG. 2 is a front elevational view thereof;

FIG. 3 is a left side elevational view thereof, the right side being a mirror image of the left side as shown;

FIG. 4 is a top plan view thereof;

FIG. 5 is a bottom plan view thereof;

FIG. 6 is a rear elevational view thereof;

FIG. 7 is a perspective view showing the front, top, and left sides of the container for tobacco products in an open condition;

FIG. 8 is a perspective view showing the front, top, and right sides of a second embodiment of my new design;

FIG. 9 is a front elevational view of the container for tobacco products of FIG. 8;

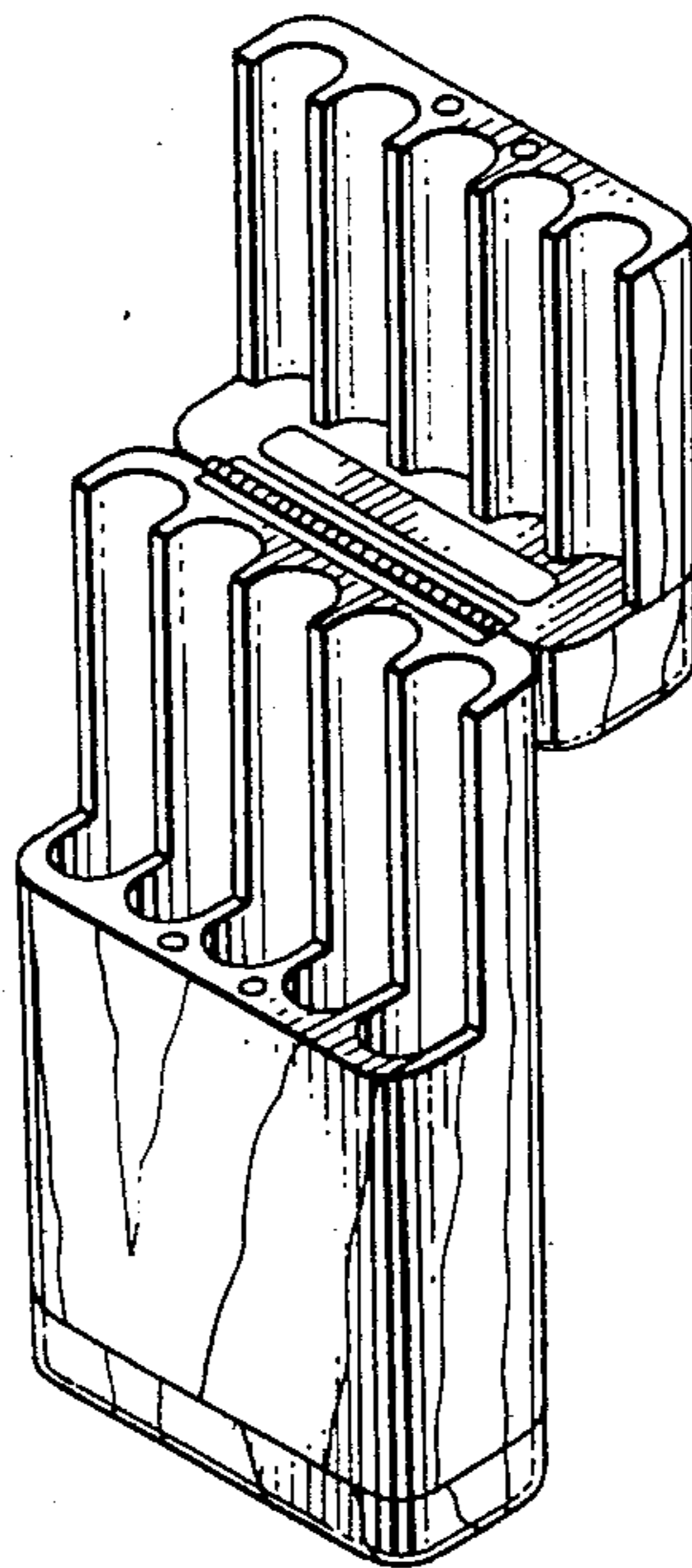
FIG. 10 is a left side elevation view of the container for tobacco products of FIG. 8, the right side being a mirror image of the left side as shown;

FIG. 11 is a top plan view of the container for tobacco products of FIG. 8;

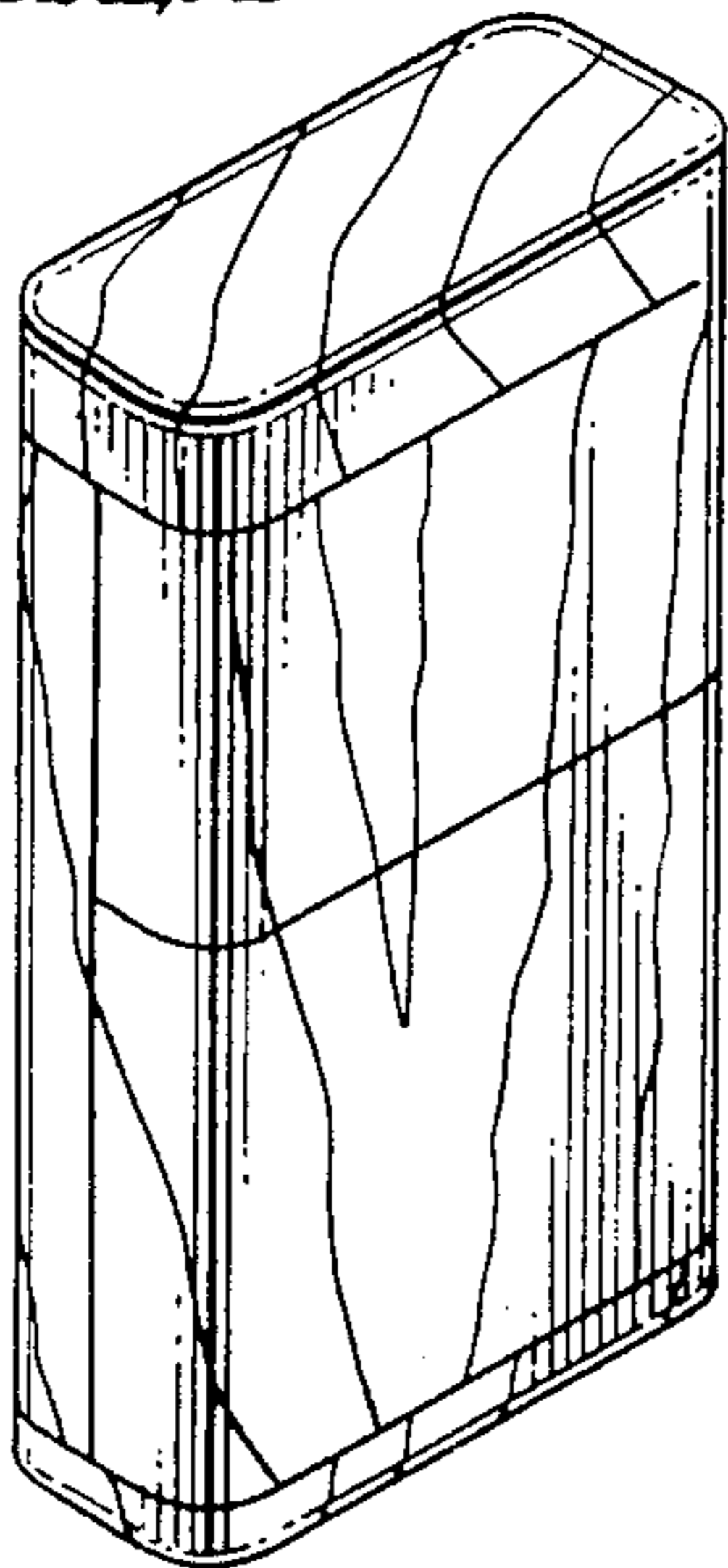
FIG. 12 is a bottom plan view of the container for tobacco products of FIG. 8;

FIG. 13 is a rear elevational view of the container for tobacco products of FIG. 8; and

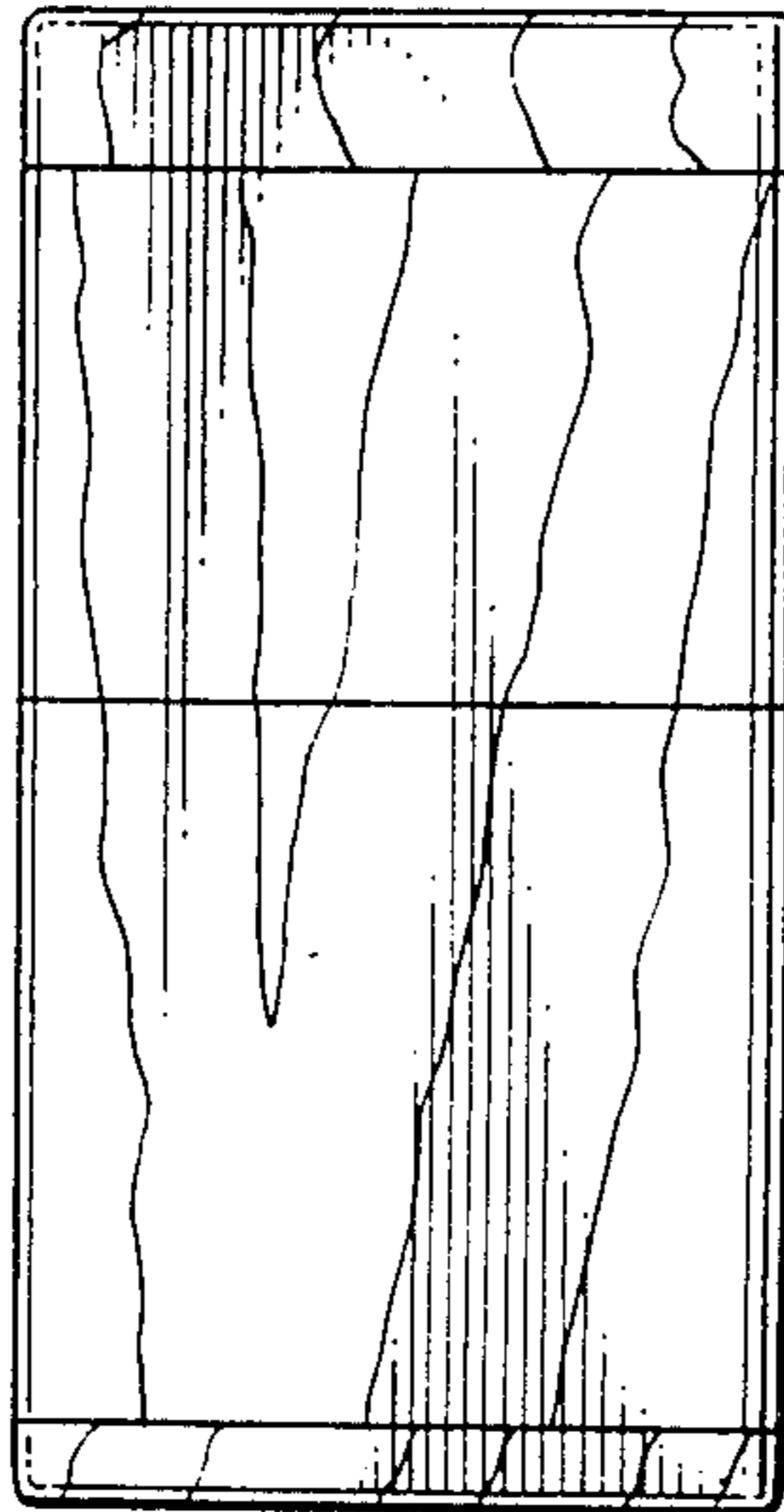
FIG. 14 is a perspective view showing the front, top and left sides of the container for tobacco products of FIG. 8 in an open condition.



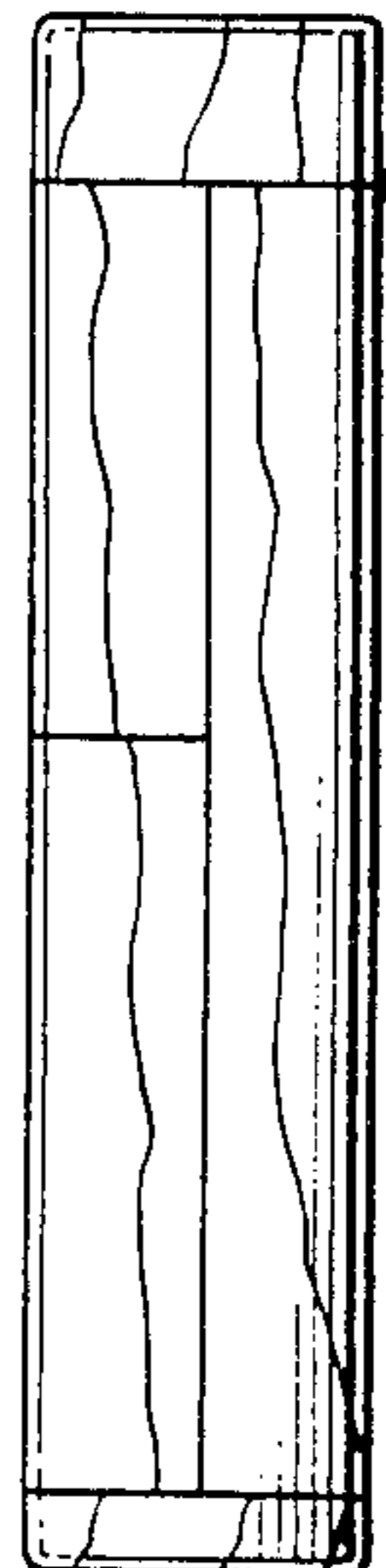
*FIG. 1*



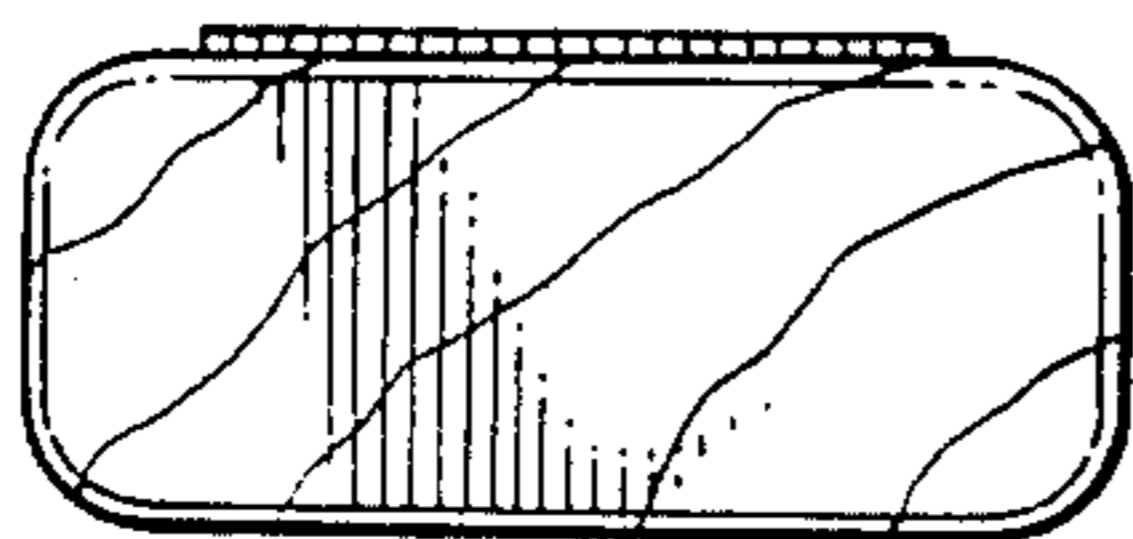
*FIG. 2*



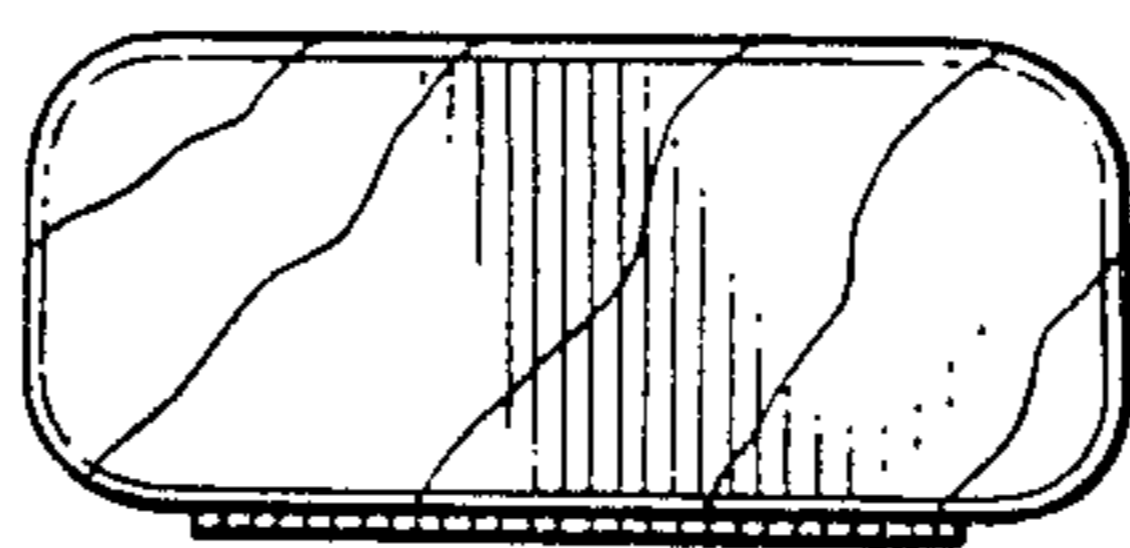
*FIG. 3*



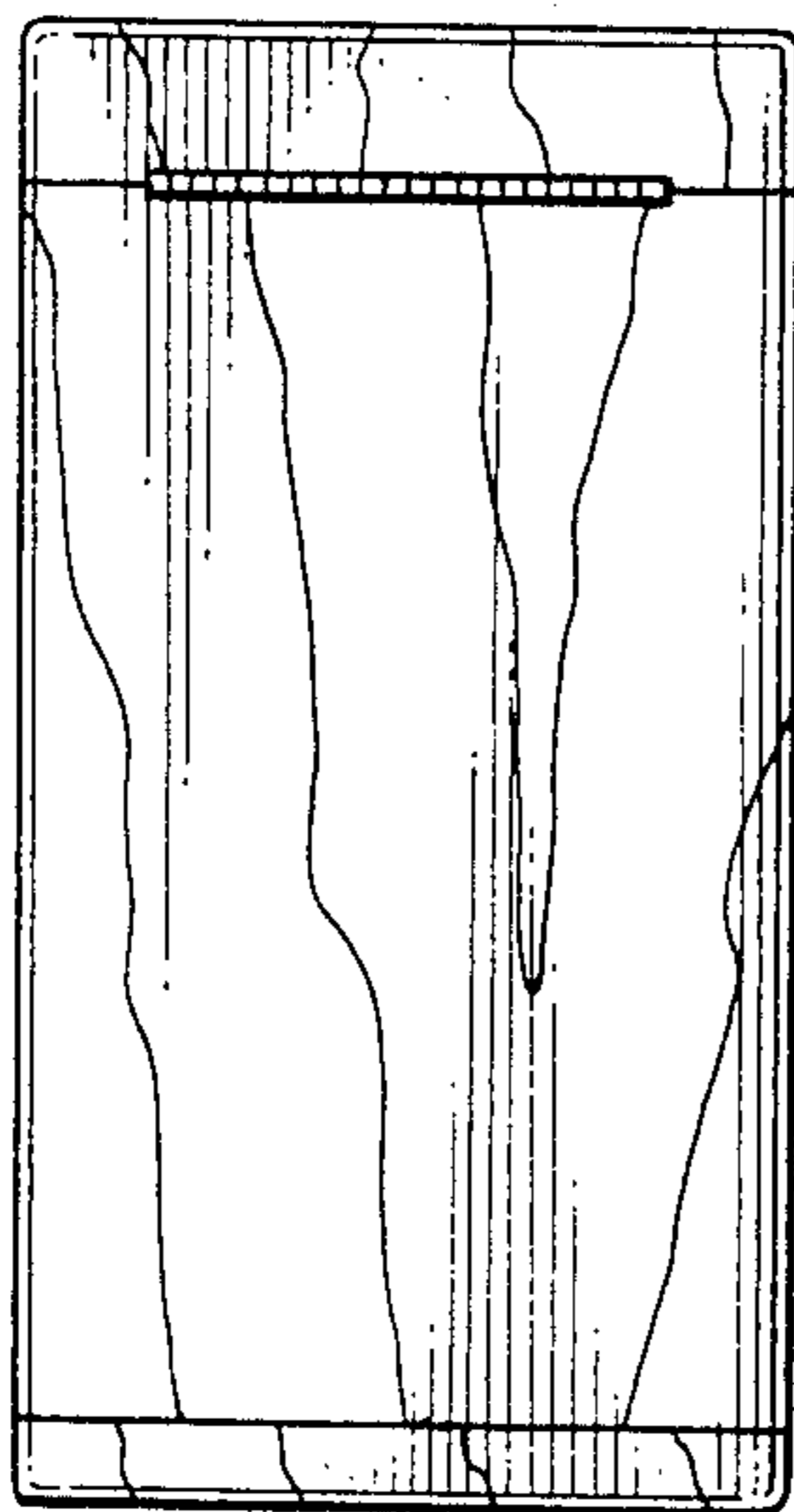
*FIG. 4*



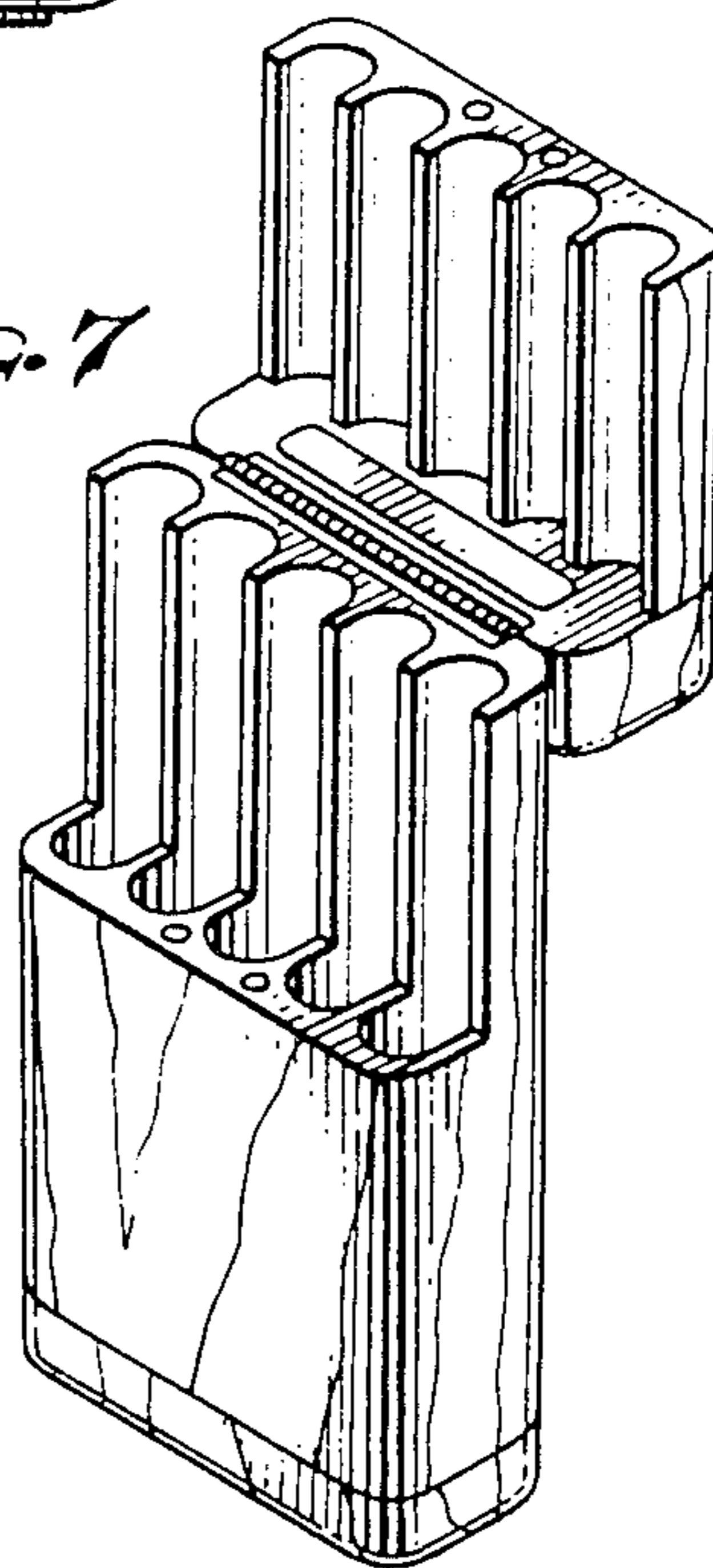
*FIG. 5*



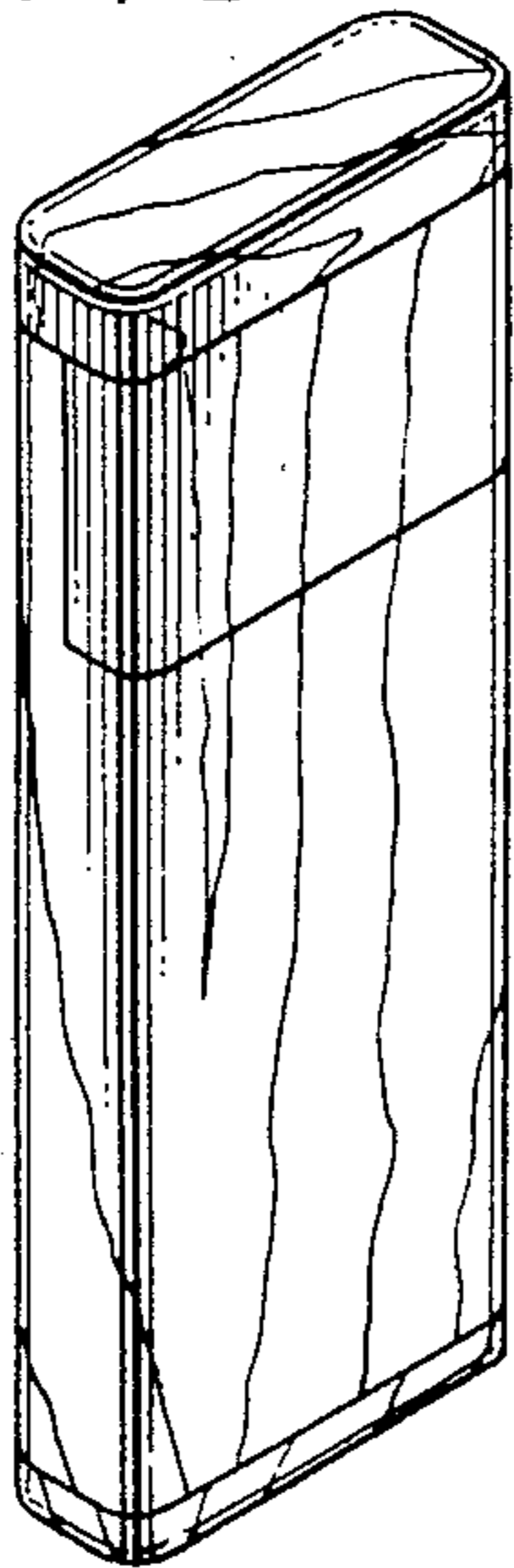
*FIG. 6*



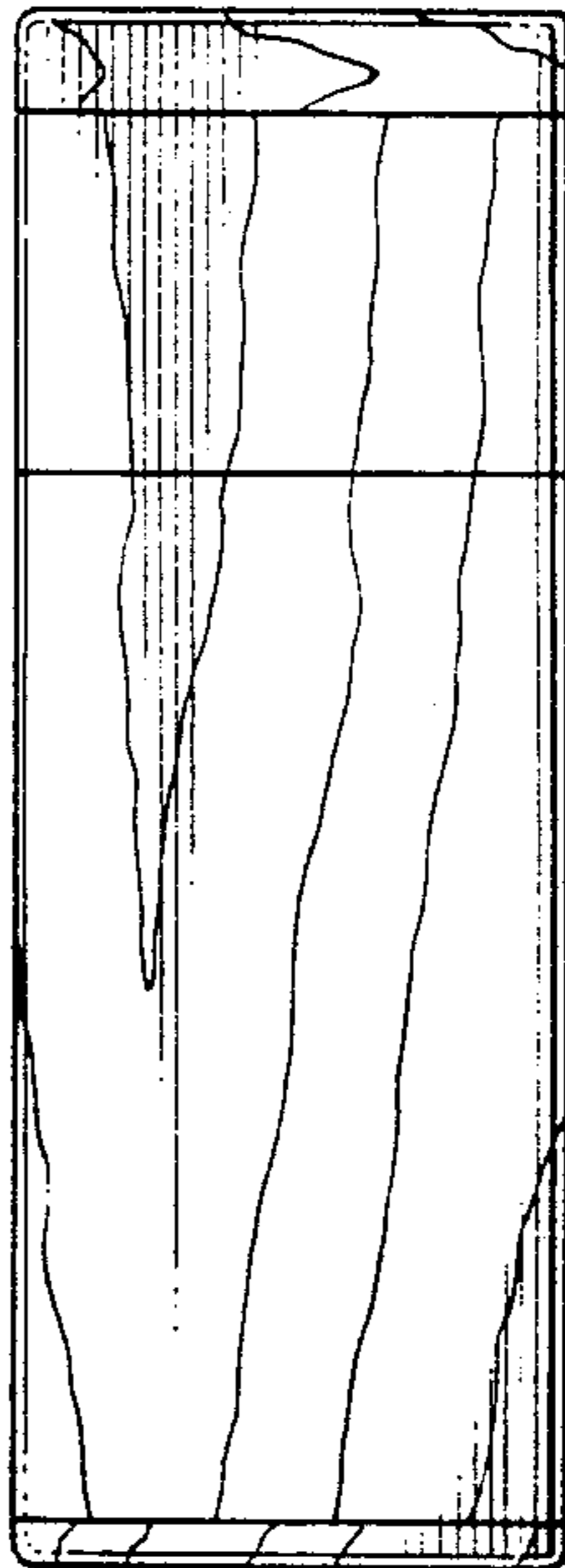
*FIG. 7*



*Fig. 8*



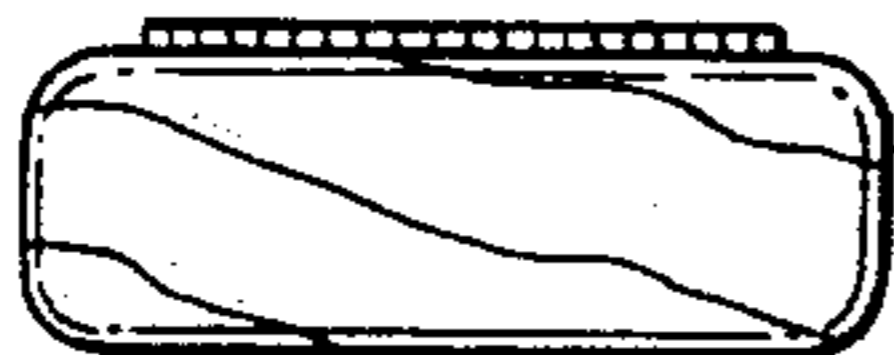
*Fig. 9*



*Fig. 10*



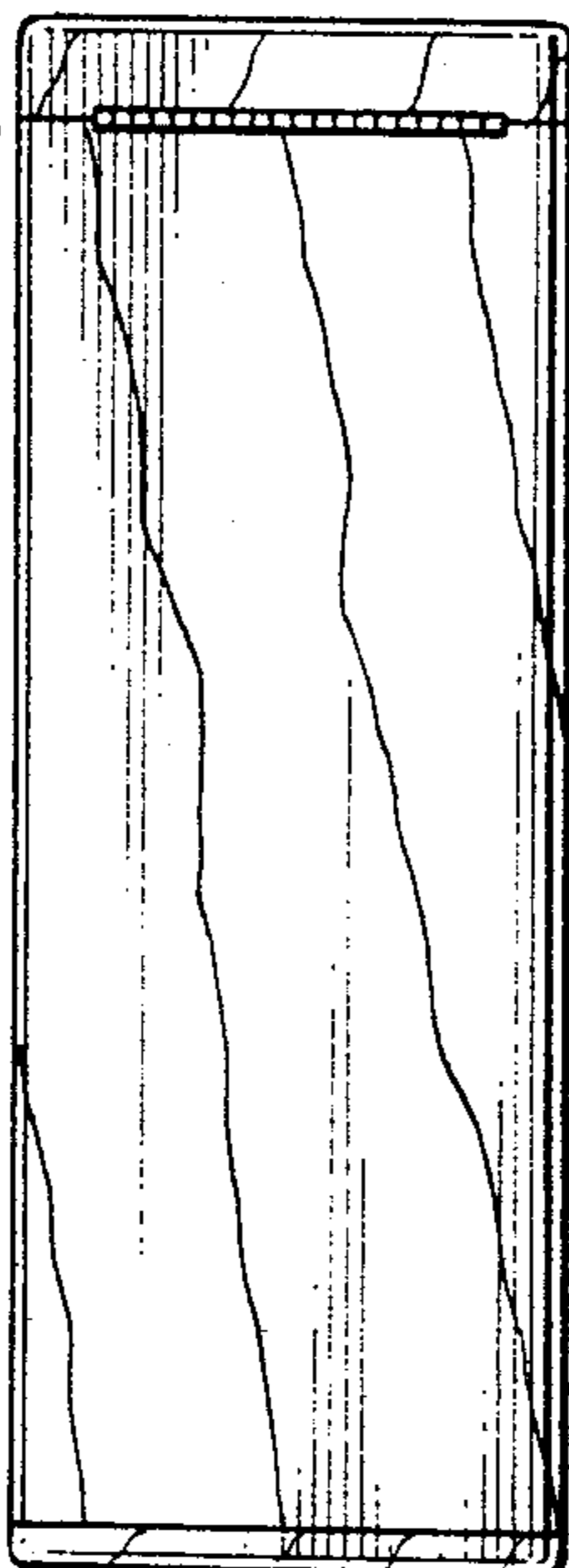
*Fig. 11*



*Fig. 12*



*Fig. 13*



*Fig. 14*

