

United States Patent [19]

Mathis

[11] Patent Number: **Des. 284,604**

[45] Date of Patent: **** Jul. 8, 1986**

[54] **AIR CONTROL APPARATUS**

[76] Inventor: **Cleo D. Mathis**, 1808 Potrero Ave.,
South El Monte, Calif. 91733

[**] Term: **14 Years**

[21] Appl. No.: **416,956**

[22] Filed: **Sep. 13, 1982**

[52] U.S. Cl. **D23/41**

[58] Field of Search 4/542; D23/19, 20, 21,
D23/22, 34, 35, 41

[56] **References Cited**

U.S. PATENT DOCUMENTS

- D. 254,928 5/1980 Mathis D23/41
- D. 259,735 6/1981 Moreland D23/34
- D. 261,418 10/1981 Jackson D23/42
- D. 266,019 8/1982 Crossman D23/19

- 4,264,039 4/1981 Moreland 4/542
- 4,349,923 9/1982 Chalberg 4/542

Primary Examiner—Wallace R. Burke
Assistant Examiner—Lynn Wilder
Attorney, Agent, or Firm—Edward J. DaRin

[57] **CLAIM**

The ornamental design for an air control apparatus, or the like, as shown.

DESCRIPTION

FIG. 1 is a right-hand, front perspective view of the air control apparatus, or the like, showing my new design, the opposite side being the same as the illustrated side; FIG. 2 is a left-hand, rear perspective view thereof, the opposite side being the same as the illustrated side; FIG. 3 is a cross-sectional view taken along the line 3—3 of FIG. 2.

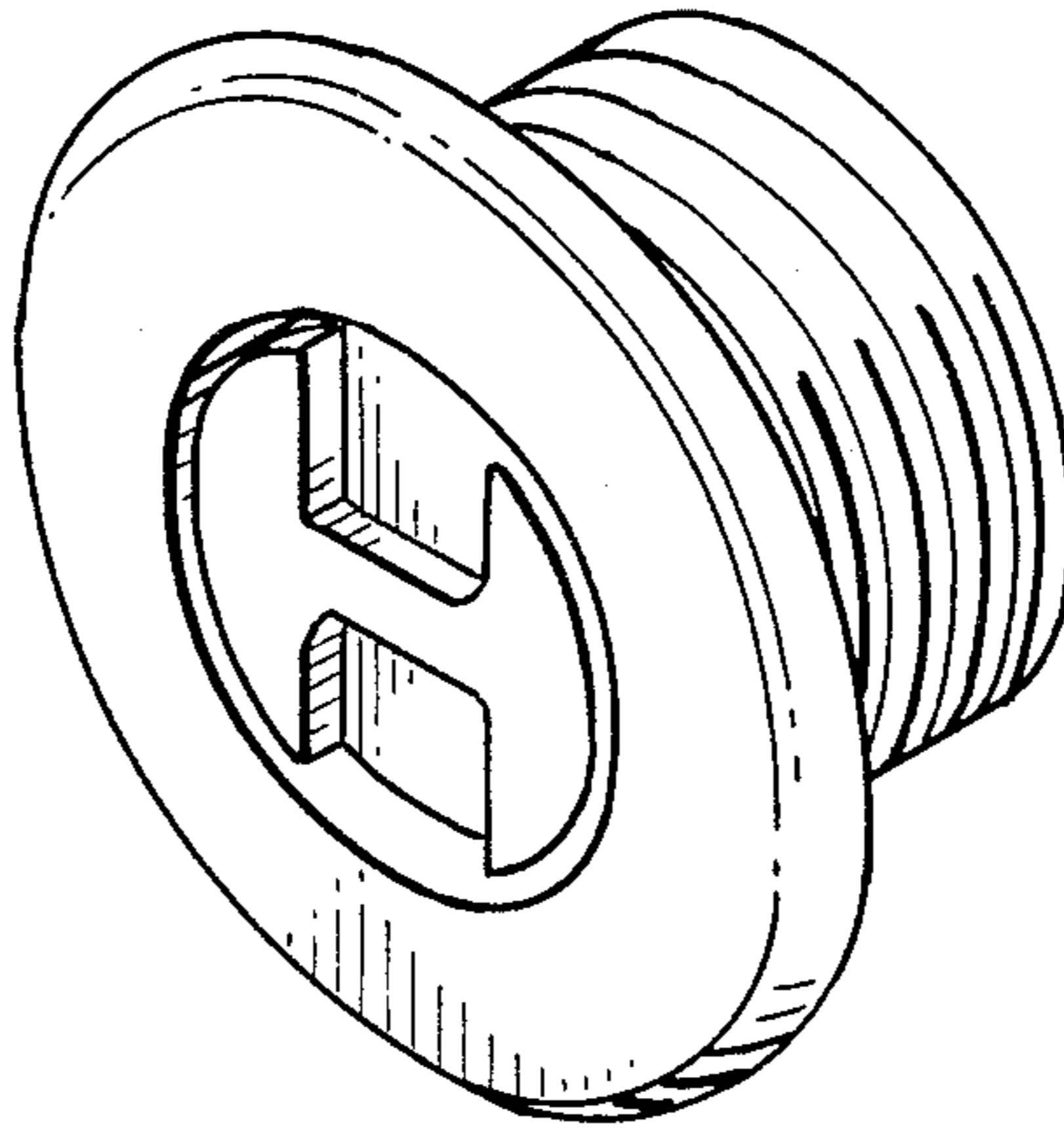


FIG. 1.

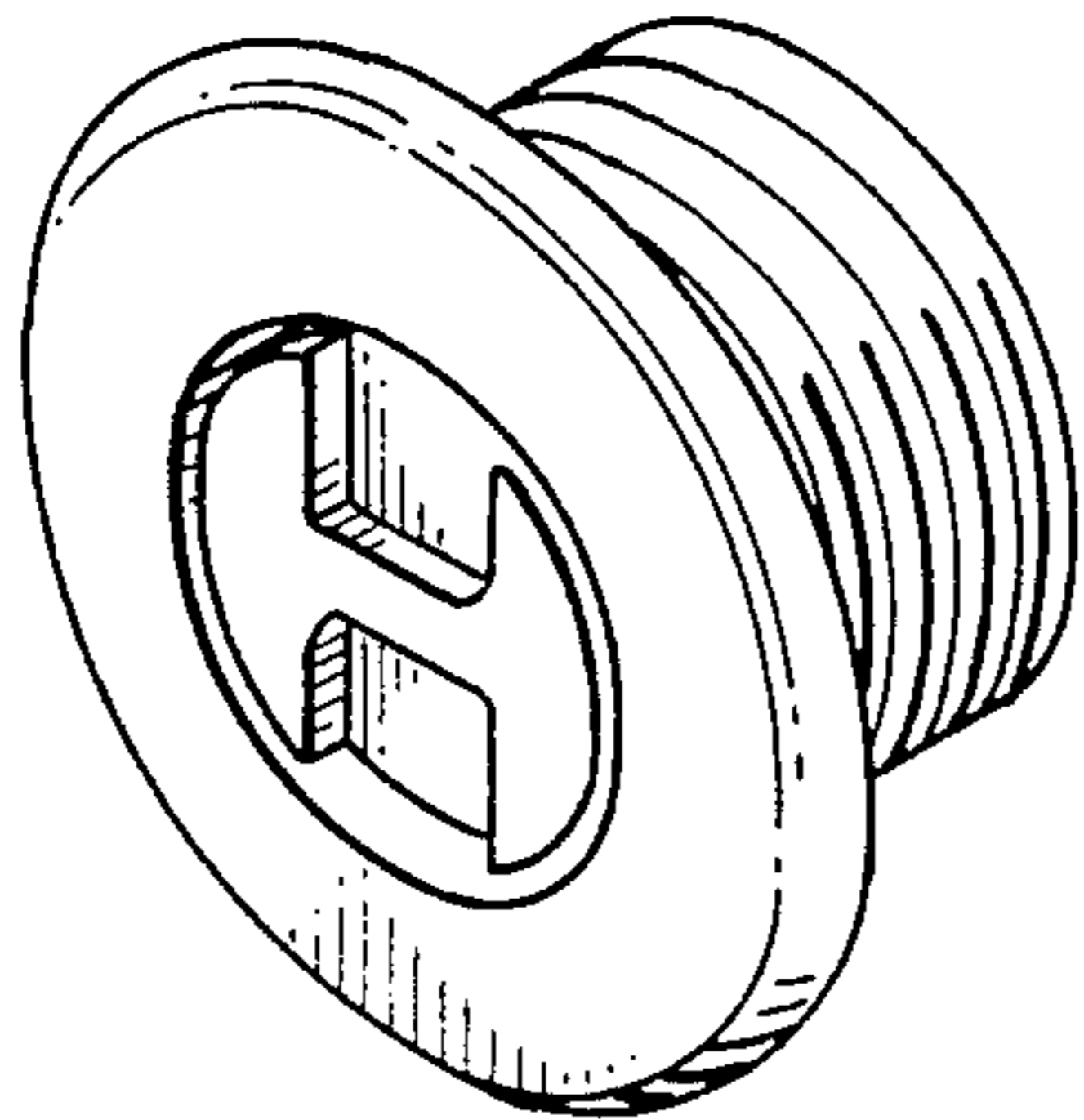


FIG. 2.

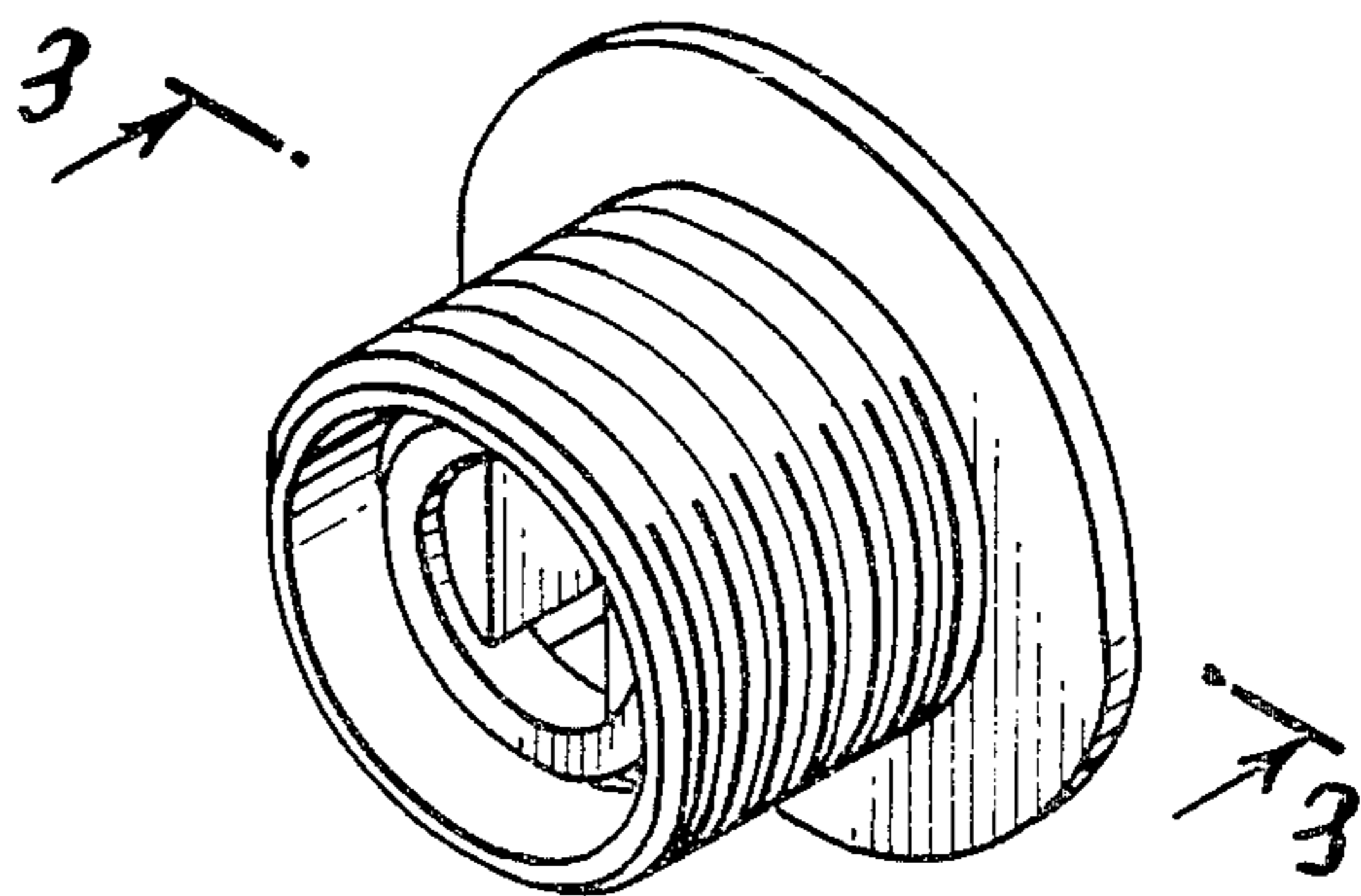


FIG. 3.

