

[54] SYPHON FITTING

[76] Inventor: Edward G. Loignon, 11502 Dena, Artesia, Calif. 90701

[\*\*] Term: 14 Years

[21] Appl. No.: 555,030

[22] Filed: Nov. 25, 1983

[52] U.S. Cl. .... D23/40

[58] Field of Search ..... D23/14-16, D23/34-37, 40; 137/888; 417/151, 181

[56] References Cited

U.S. PATENT DOCUMENTS

D. 244,937	7/1977	Hook	.....	D23/40
1,073,467	9/1913	Birrell	.....	417/181
1,661,002	2/1928	McClymont et al.	.....	417/181
1,826,829	10/1931	Scott	.....	417/181
1,930,287	10/1933	Reedy et al.	.....	417/181
1,933,165	10/1933	Curtis	.....	417/181
1,950,172	3/1934	Gavaza	.....	417/181

2,112,290	3/1938	Holland	.....	417/181
2,381,589	8/1945	Hages	.....	417/181
3,470,826	10/1969	Foulds	.....	417/181

Primary Examiner—James R. Largen  
Attorney, Agent, or Firm—George F. Bethel; Patience K. Bethel

[57] CLAIM

The ornamental design of a syphon fitting, as substantially shown herein.

DESCRIPTION

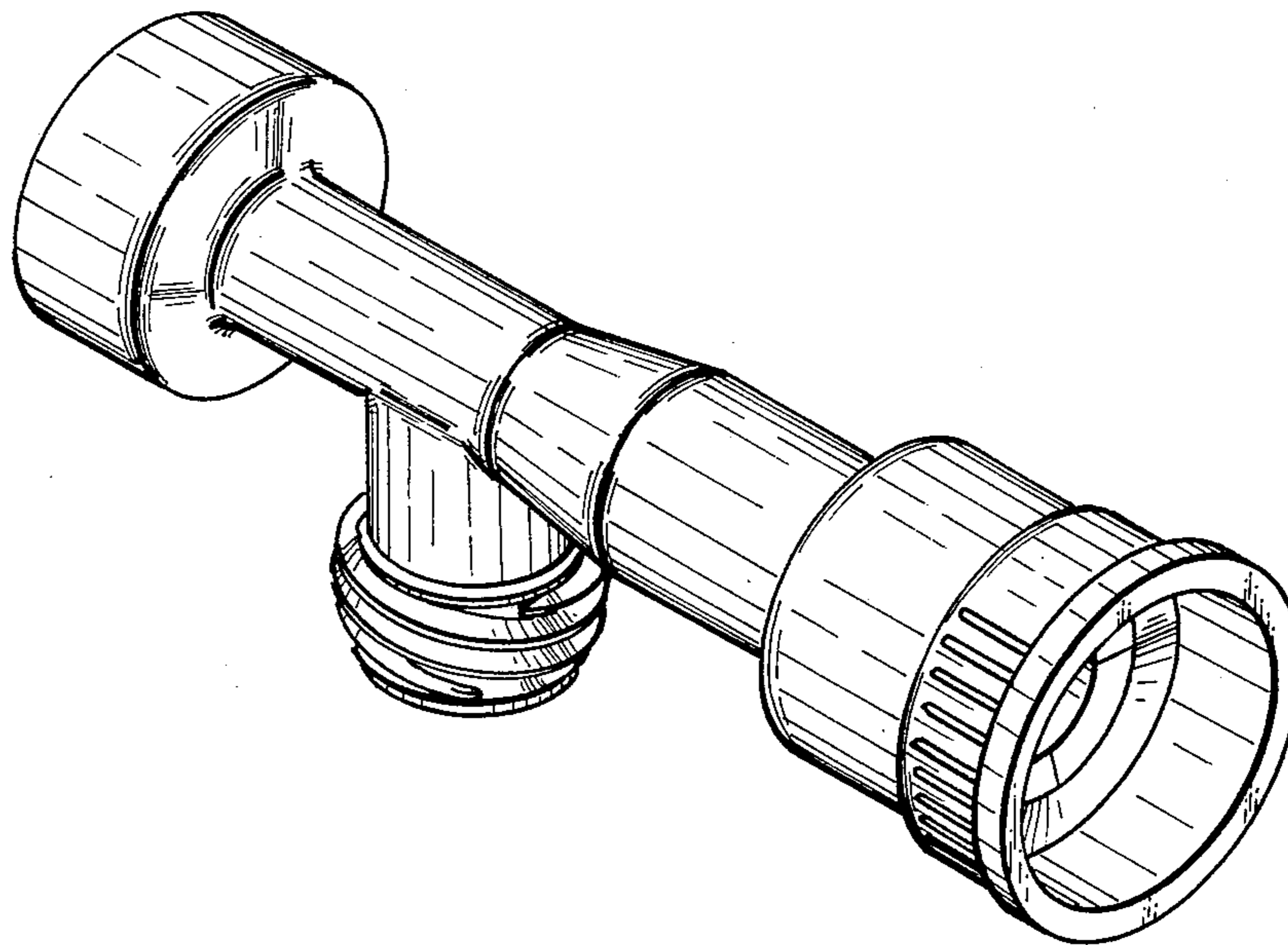
FIG. 1 is a perspective view taken from the top, front and one side of a syphon fitting showing my new design;

FIG. 2 is an elevational view taken from the side opposite that shown in FIG. 1;

FIG. 3 is a bottom plan view thereof;

FIG. 4 is a rear elevational view thereof; and

FIG. 5 is a cross-sectional view taken on line 5—5 of FIG. 4.



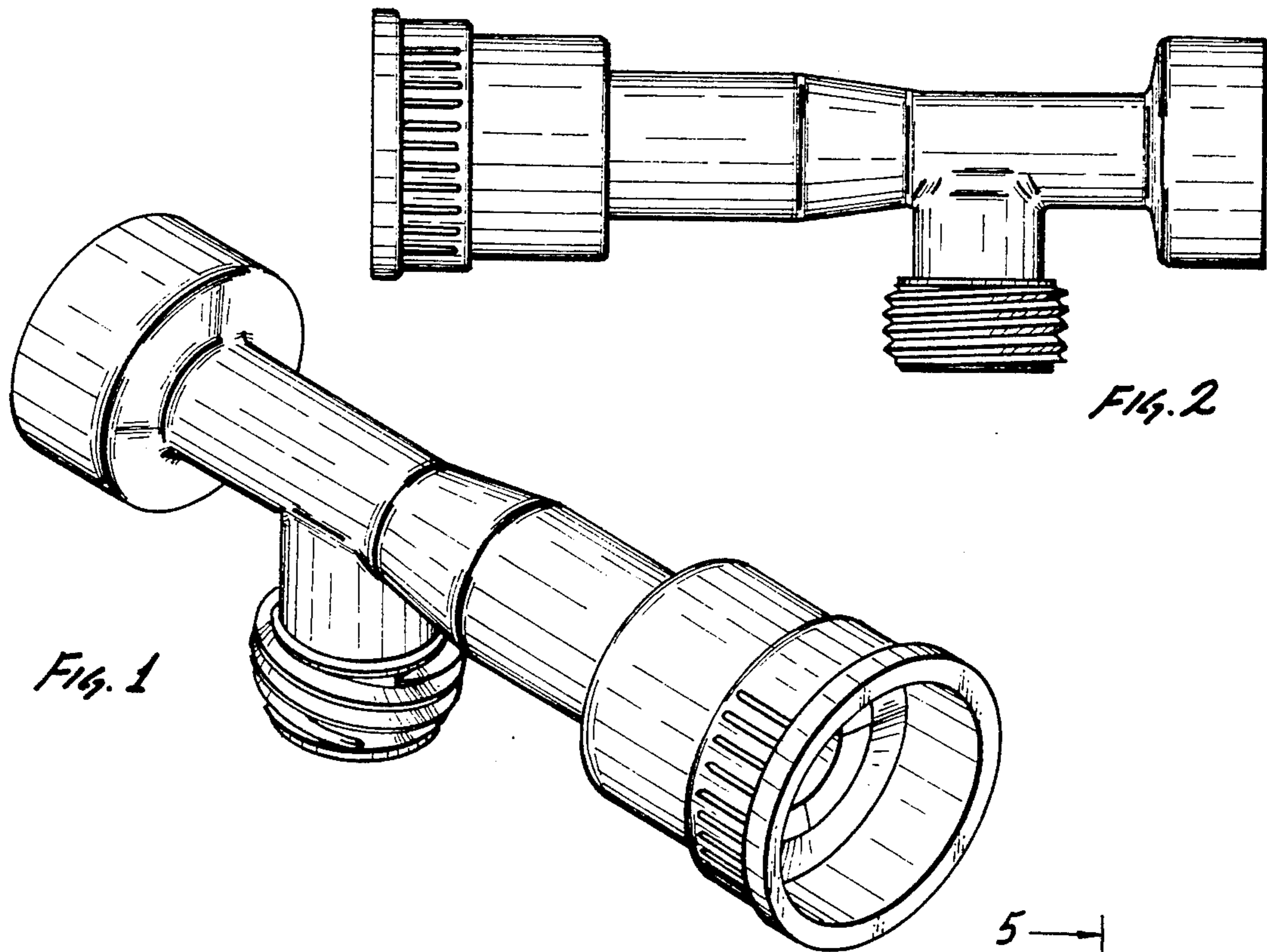


Fig. 1

Fig. 2

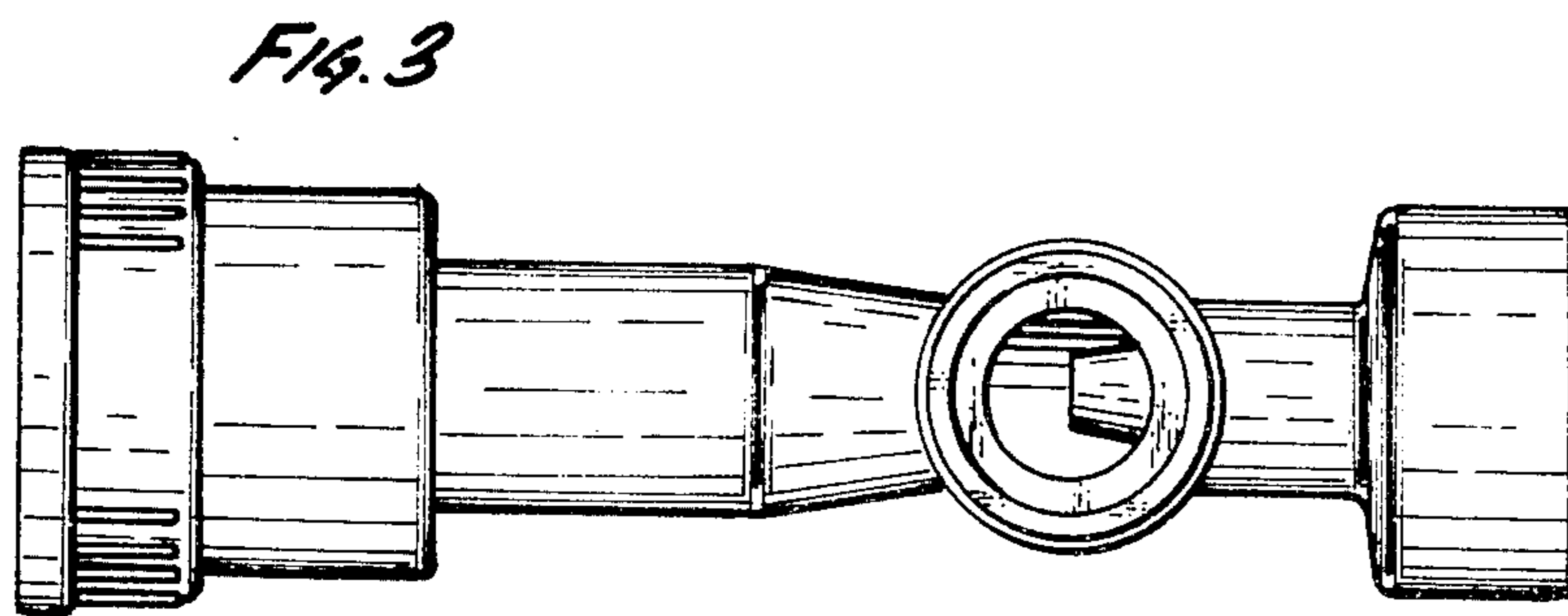


Fig. 3

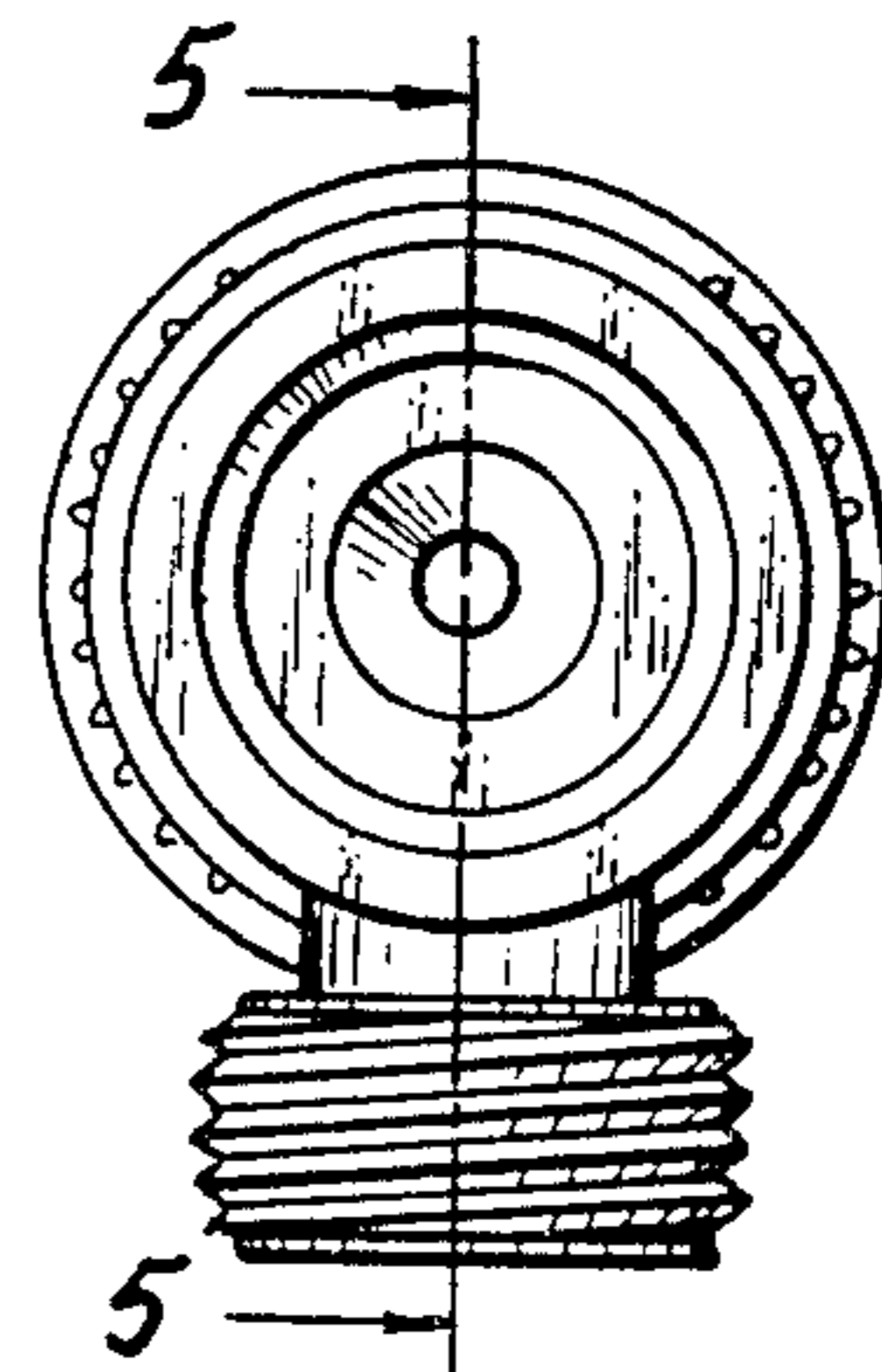


Fig. 4

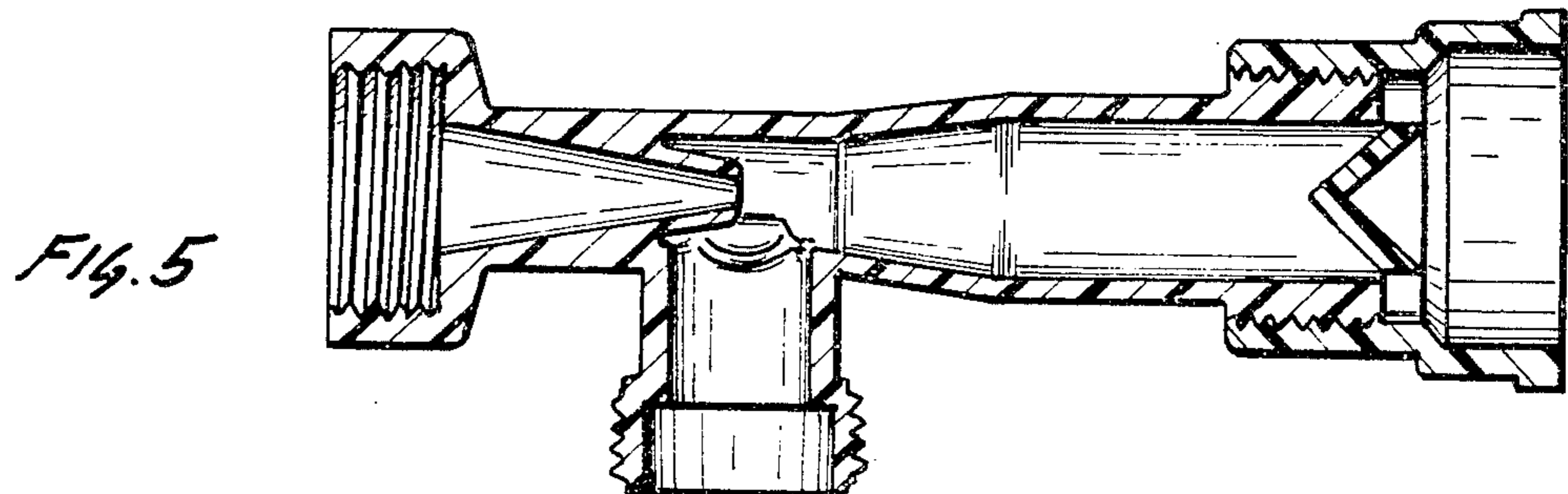


Fig. 5