

United States Patent [19]

Cochran

[11] Patent Number: **Des. 284,599**

[45] Date of Patent: **** Jul. 8, 1986**

[54] **COMBINED BASKETBALL GAME GOAL AND RETURN NET**

[76] Inventor: **Ken C. Cochran, P.O. Box 1073, Salina, Kans. 67402-1073**

[**] Term: **14 Years**

[21] Appl. No.: **568,820**

[22] Filed: **Jan. 6, 1984**

[52] U.S. Cl. **D21/201**

[58] Field of Search **D21/201, 5; 273/1.5 A, 273/1.5, 397**

[56] **References Cited**

U.S. PATENT DOCUMENTS

D. 214,066 5/1969 Benigno D21/201

D. 280,755 9/1985 Cochran D21/201
1,924,757 8/1933 Shisoff 273/397

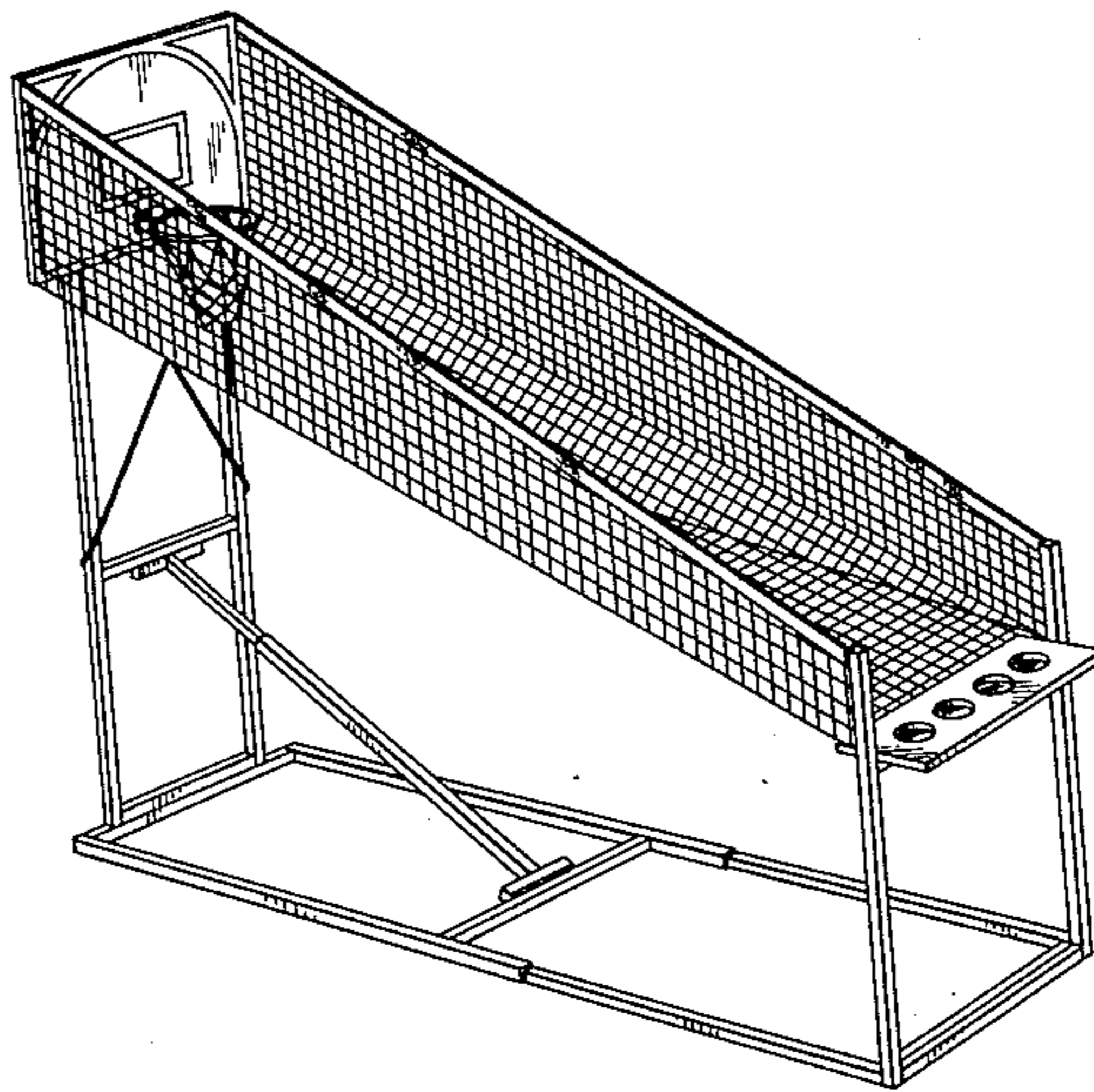
Primary Examiner—Melvin B. Feifer
Attorney, Agent, or Firm—Kokjer, Kircher, Bradley, Wharton, Bowman & Johnson

[57] **CLAIM**

The ornamental design for a combined basketball game goal and return net, as shown and described.

DESCRIPTION

FIG. 1 is a perspective view of a combined basketball game goal and return net showing my new design; FIG. 2 is a front elevational view thereof; FIG. 3 is a top plan view thereof; FIG. 4 is an elevational view of one side, the other side being substantially identical thereto.



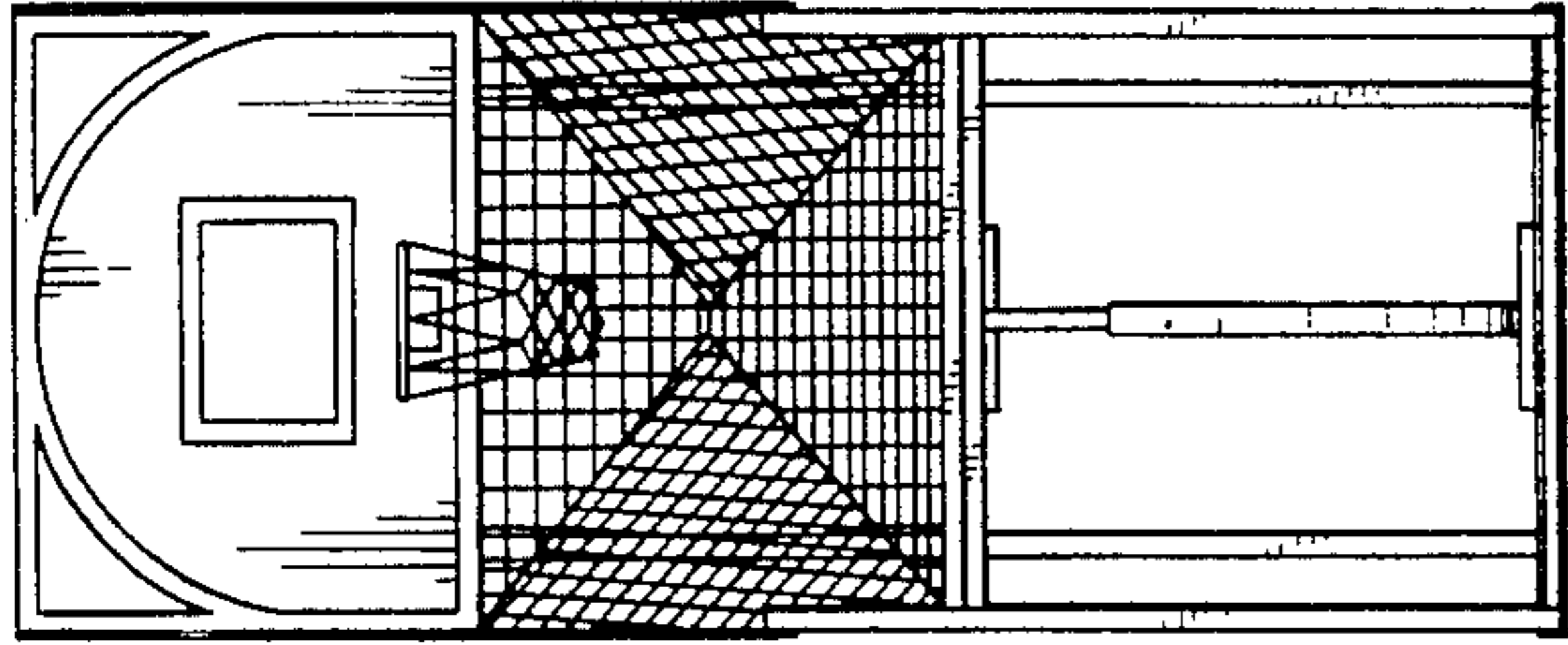


Fig. 2.

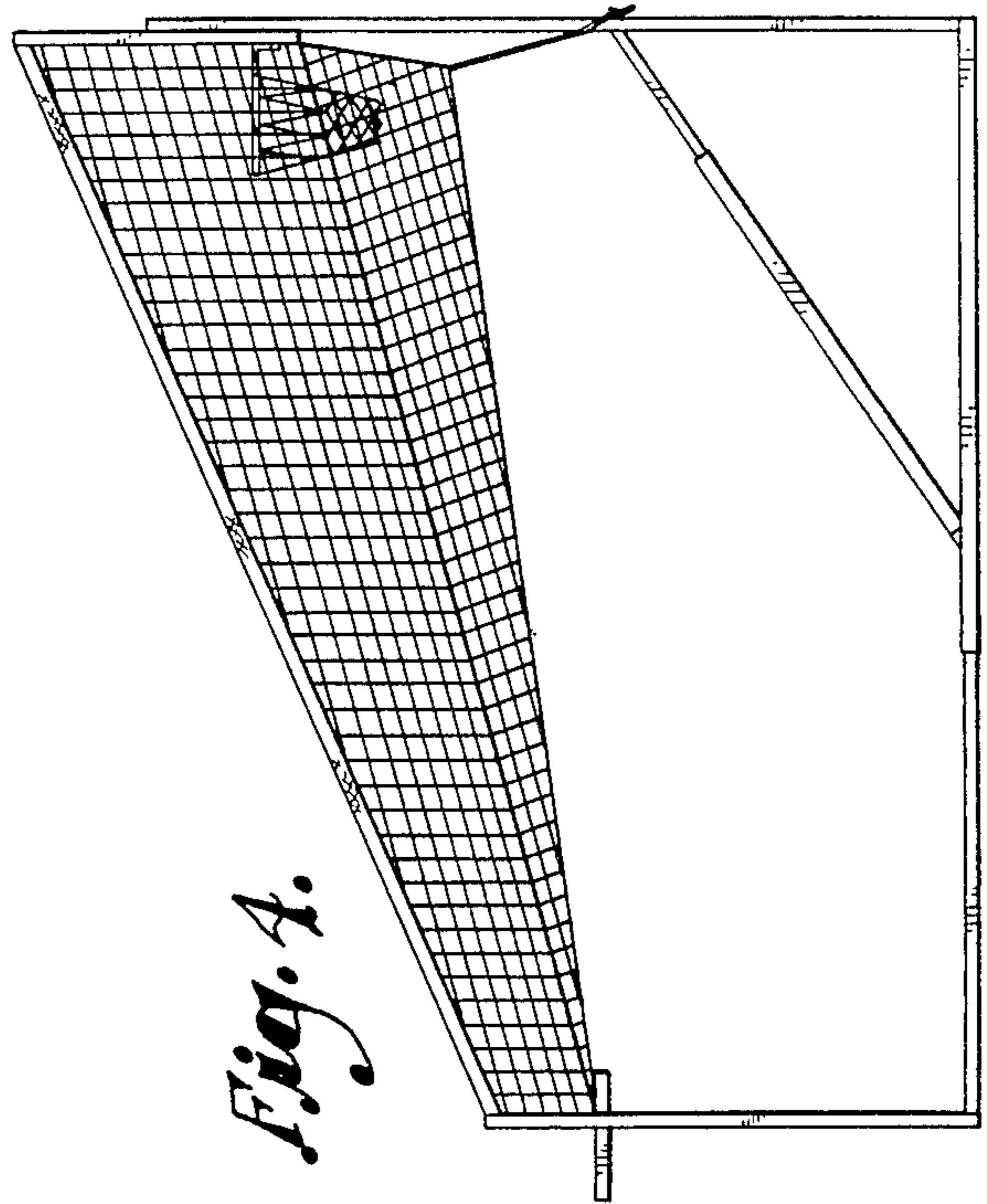


Fig. 4.

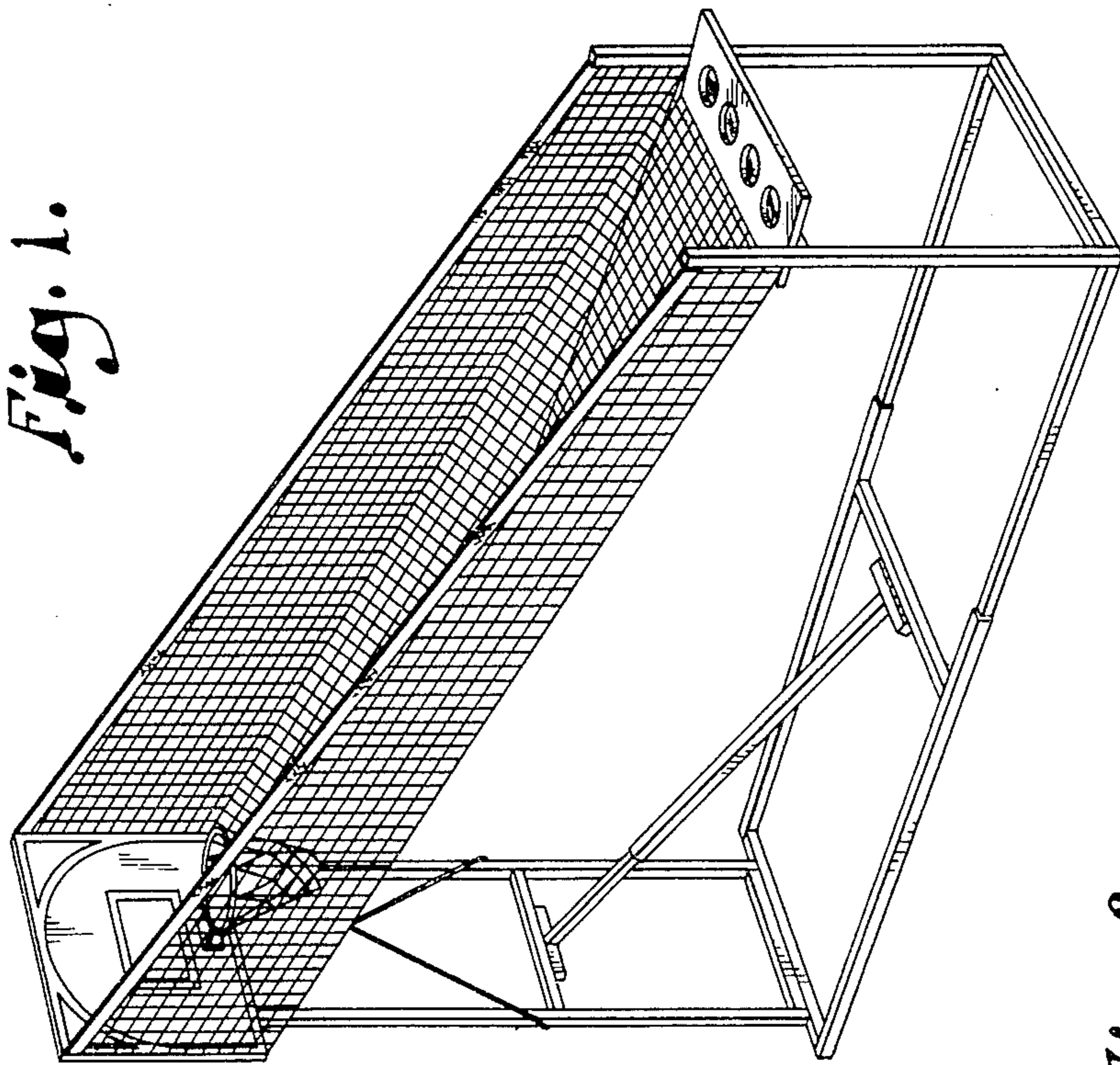


Fig. 1.

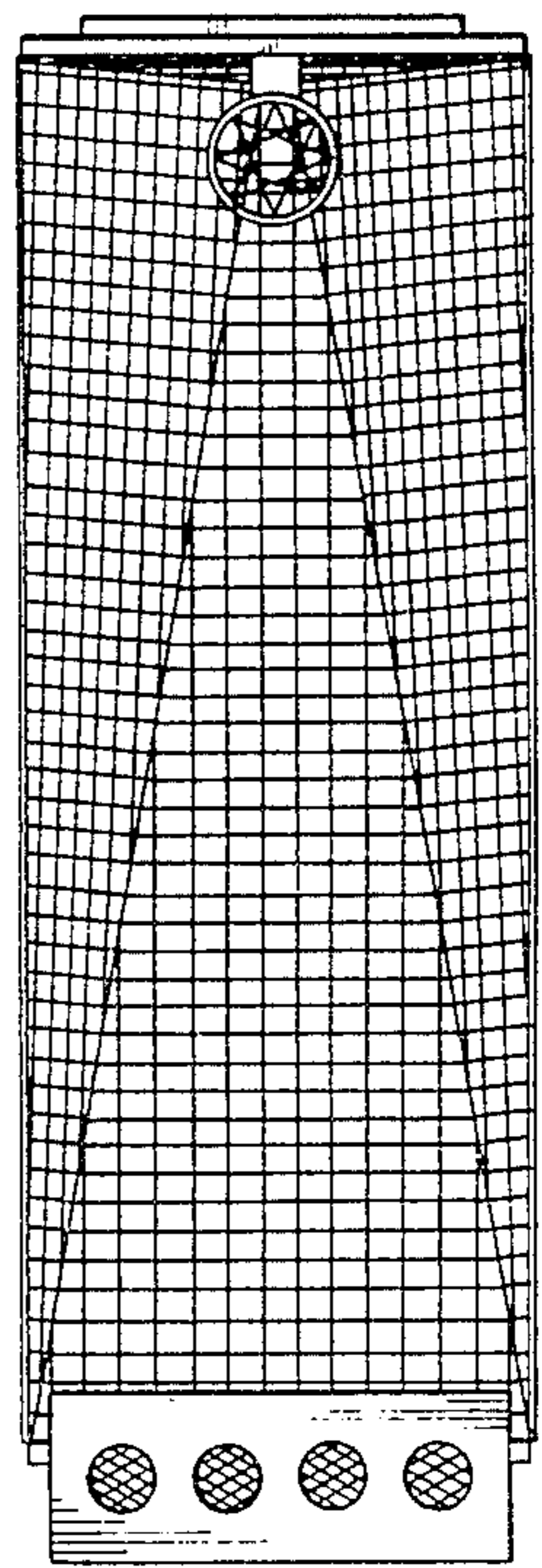


Fig. 3.