

United States Patent [19]

Smith et al.

[11] Patent Number: **Des. 284,597**

[45] Date of Patent: **** Jul. 8, 1986**

[54] **INCLINED PHYSICAL EXERCISER**

[75] Inventors: **David B. Smith**, Mercer Island, Wash.; **Gary M. Bang**, Edmonds, Wash.

[73] Assignee: **Precor Incorporated**, Redmond, Wash.

[**] Term: **14 Years**

[21] Appl. No.: **696,250**

[22] Filed: **Jan. 29, 1985**

[52] U.S. Cl. **D21/195**

[58] Field of Search **D21/191-199;**
272/67, 68, 104, 111, 117, 118, 134, 133, 143,
145

[56] **References Cited**

U.S. PATENT DOCUMENTS

2,191,698 2/1940 Painter 272/134

2,689,127	9/1954	Silverton et al.	272/134
3,708,167	1/1973	Potgieter	272/134
3,709,487	1/1973	Walker	272/134
3,741,538	6/1973	Lewis et al.	272/134
4,286,782	9/1981	Fuhrhop	272/134

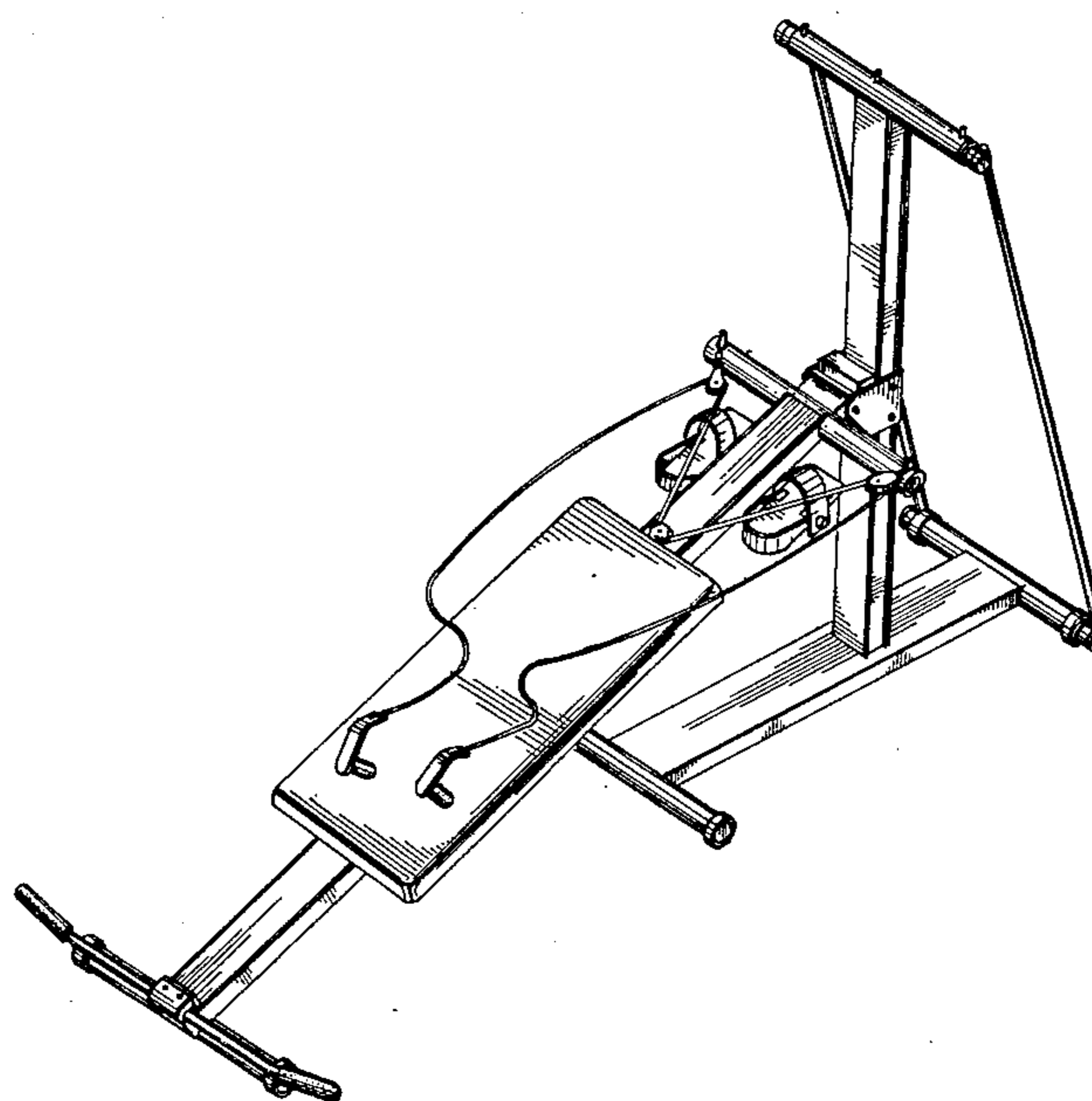
Primary Examiner—Charles A. Rademaker
Attorney, Agent, or Firm—Christensen, O'Connor,
Johnson & Kindness

[57] **CLAIM**

The ornamental design for an inclined physical exerciser, substantially as shown and described.

DESCRIPTION

FIG. 1 is a perspective view of an inclined physical exerciser showing our new design;
FIG. 2 is a side elevational view thereof;
FIG. 3 is a top plan view thereof;
FIG. 4 is a bottom plan view thereof;
FIG. 5 is a front elevational view thereof; and,
FIG. 6 is a rear elevational view thereof.



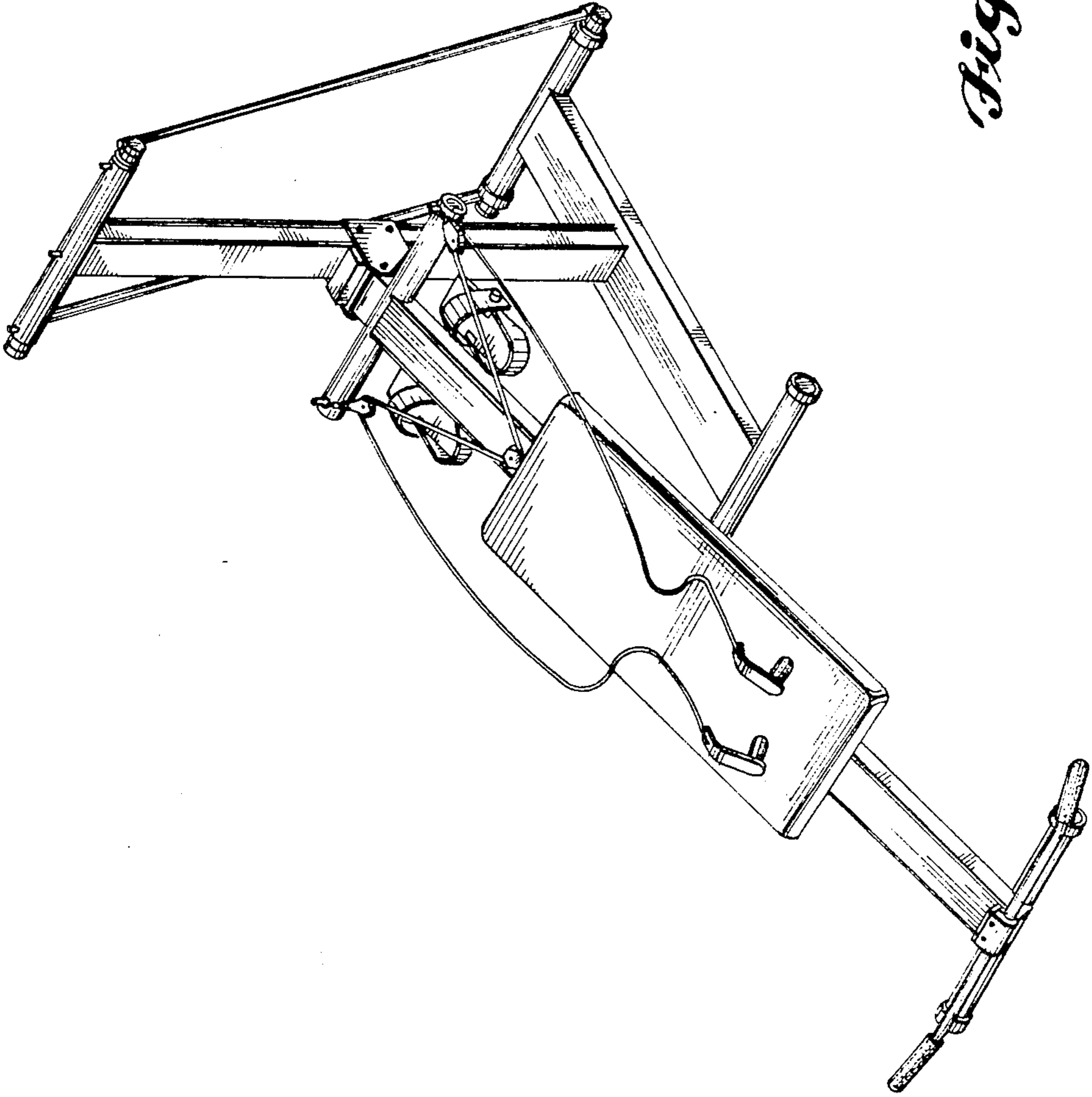


Fig. 1.

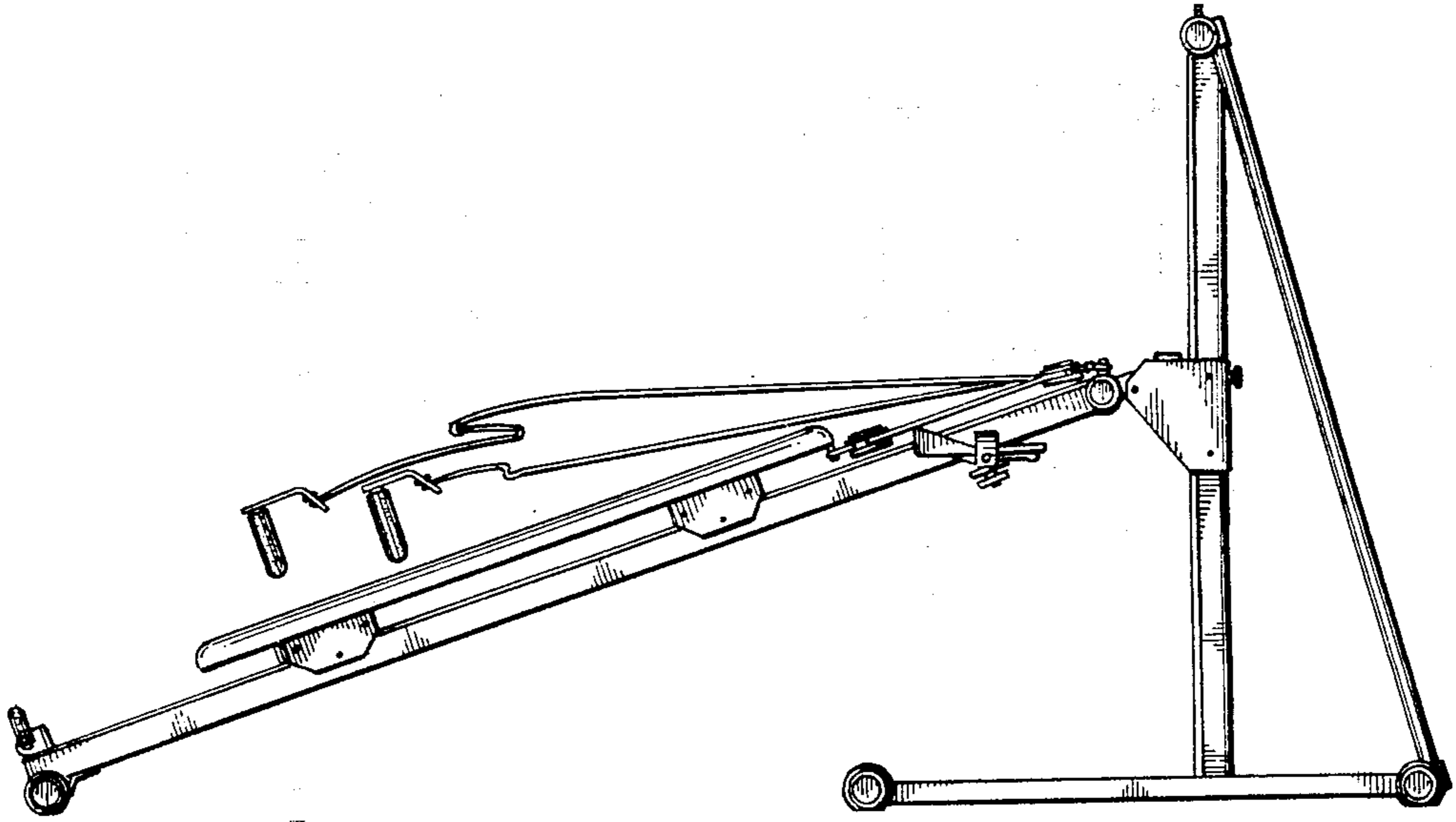


Fig. 2.

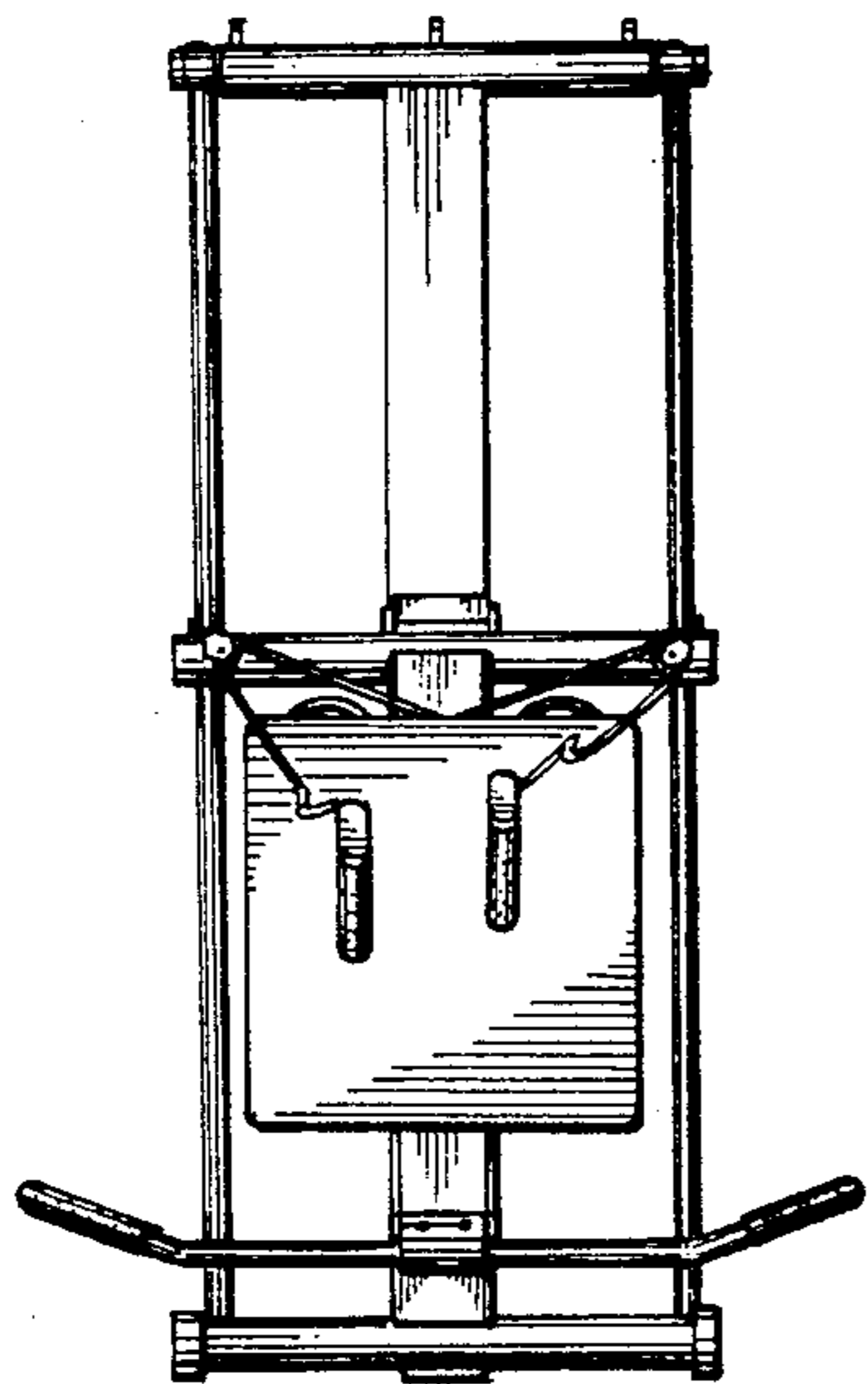


Fig. 5.

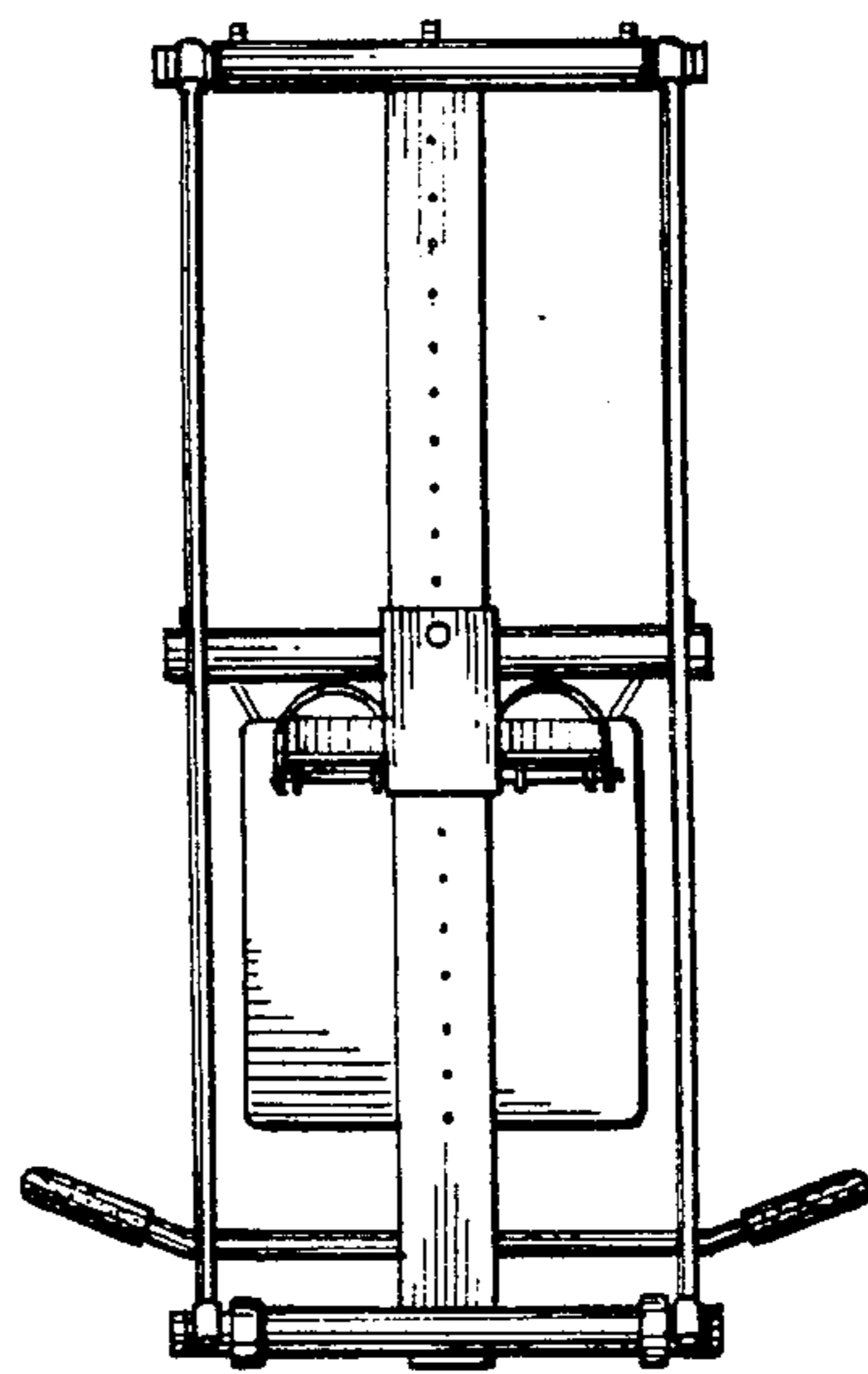


Fig. 6.

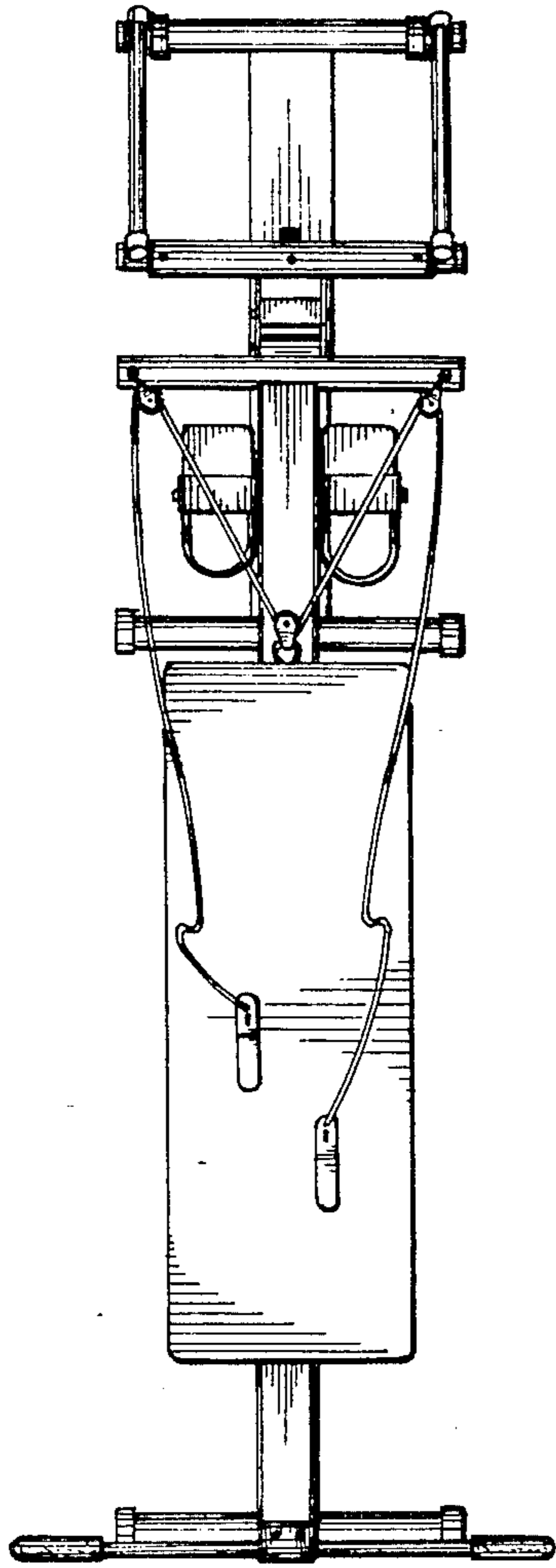


Fig. 3.

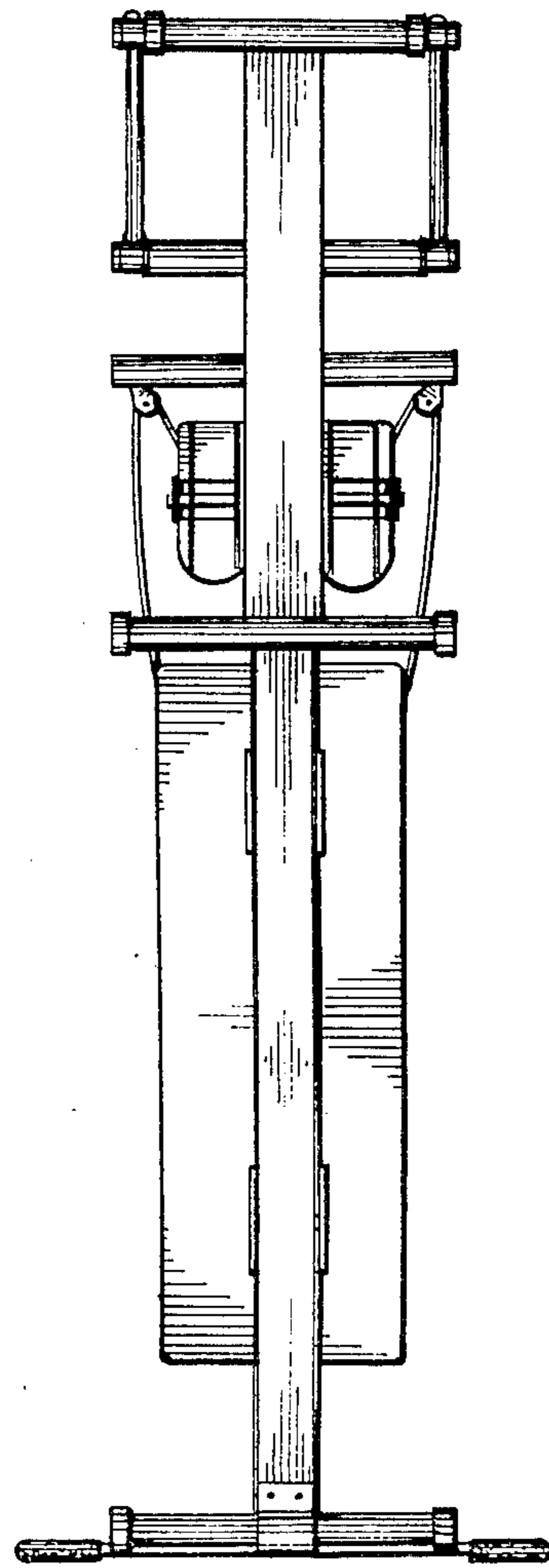


Fig. 4.