

[54] YOKE FOR AN EXERCISE BICYCLE

4,007,927 2/1977 Proctor 272/132

[75] Inventor: Ronald A. McNeil, Havana, Fla.

Primary Examiner—Charles A. Rademaker
Attorney, Agent, or Firm—Shlesinger, Arkwright,
Garvey & Fado

[73] Assignee: R.A.M. Innovations, Inc., Havana, Fla.

[**] Term: 14 Years

[57] CLAIM

[21] Appl. No.: 682,175

The ornamental design for a yoke for an exercise bicycle, as shown and described.

[22] Filed: Dec. 17, 1984

DESCRIPTION

[52] U.S. Cl. D21/194

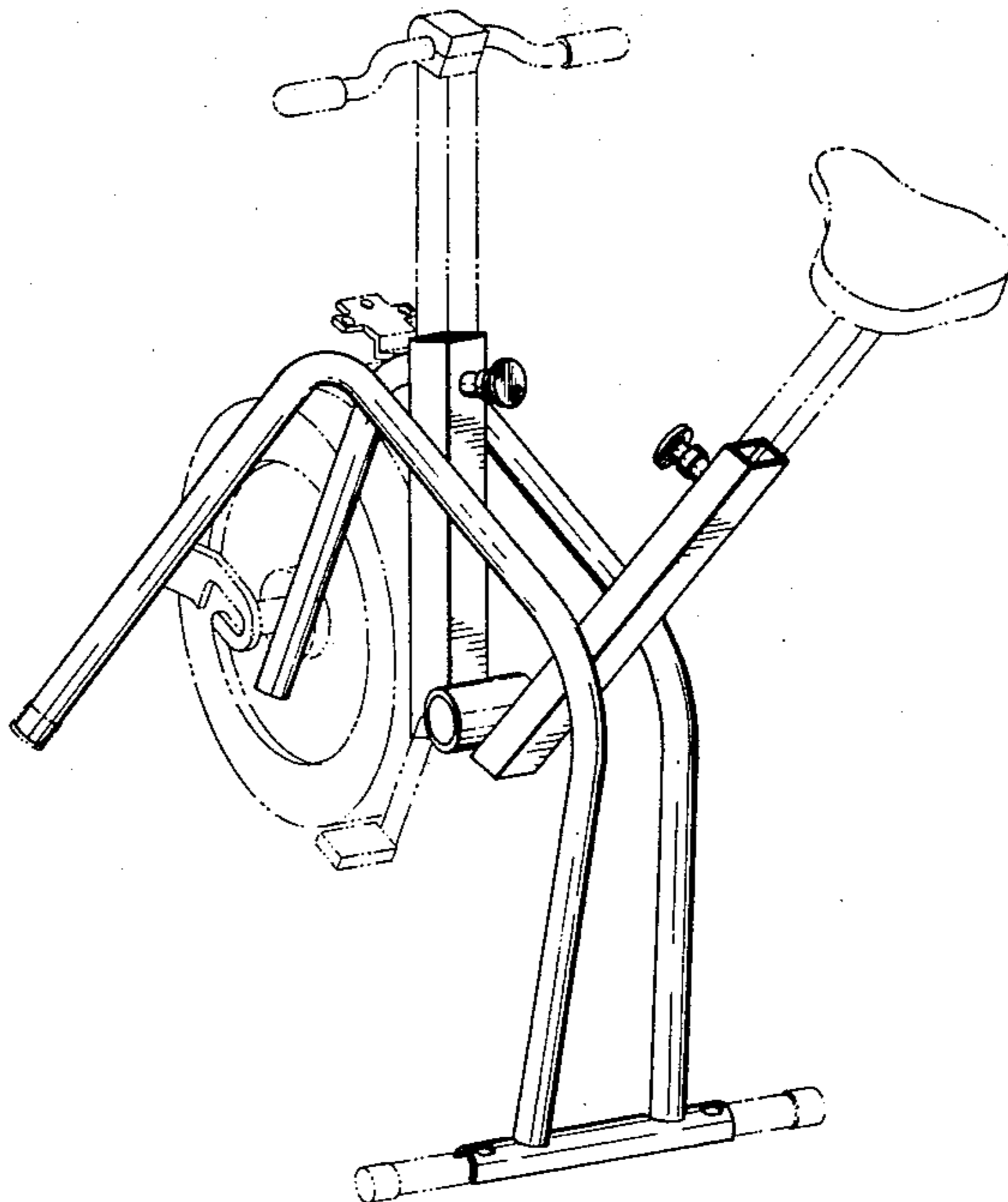
[58] Field of Search D21/194, 191; D12/111;
272/73, 70.3, 132, DIG. 6; 73/379

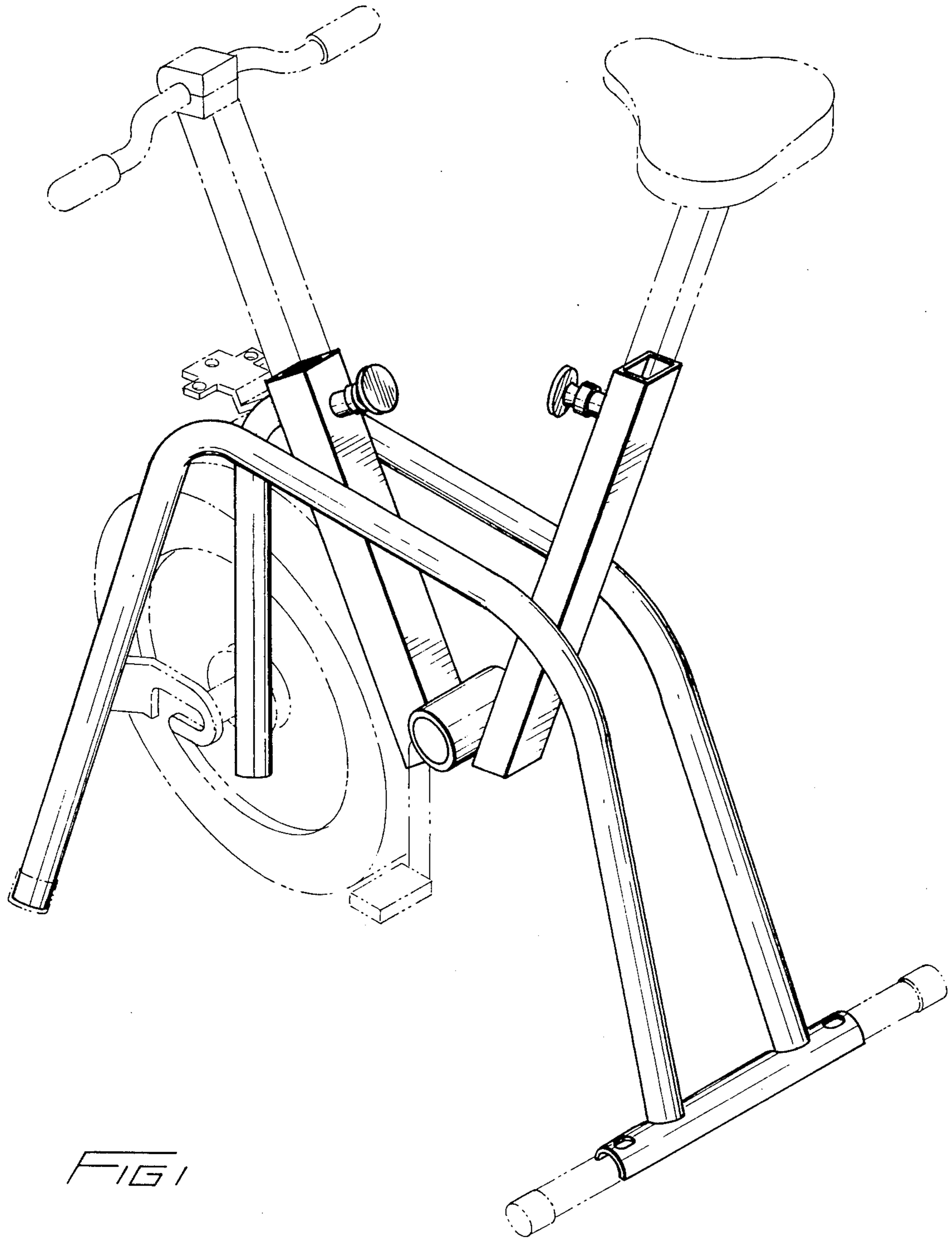
FIG. 1 is a perspective view of a yoke for an exercise bicycle showing my new design;
FIG. 2 is a top plan view thereof;
FIG. 3 is a bottom plan view thereof;
FIG. 4 is a left side elevational view thereof, the side opposite being a mirror image;
FIG. 5 is a rear elevational view thereof; and,
FIG. 6 is a front elevational view thereof.
The broken line showing of FIG. 1 is for illustrative purposes only and forms no part of the claimed design.

[56] References Cited

U.S. PATENT DOCUMENTS

- D. 243,028 1/1977 Proctor D21/194
- D. 250,135 10/1978 Moyski et al. D21/194
- D. 280,117 8/1985 Collins D12/111
- D. 280,118 8/1985 Collins D21/194





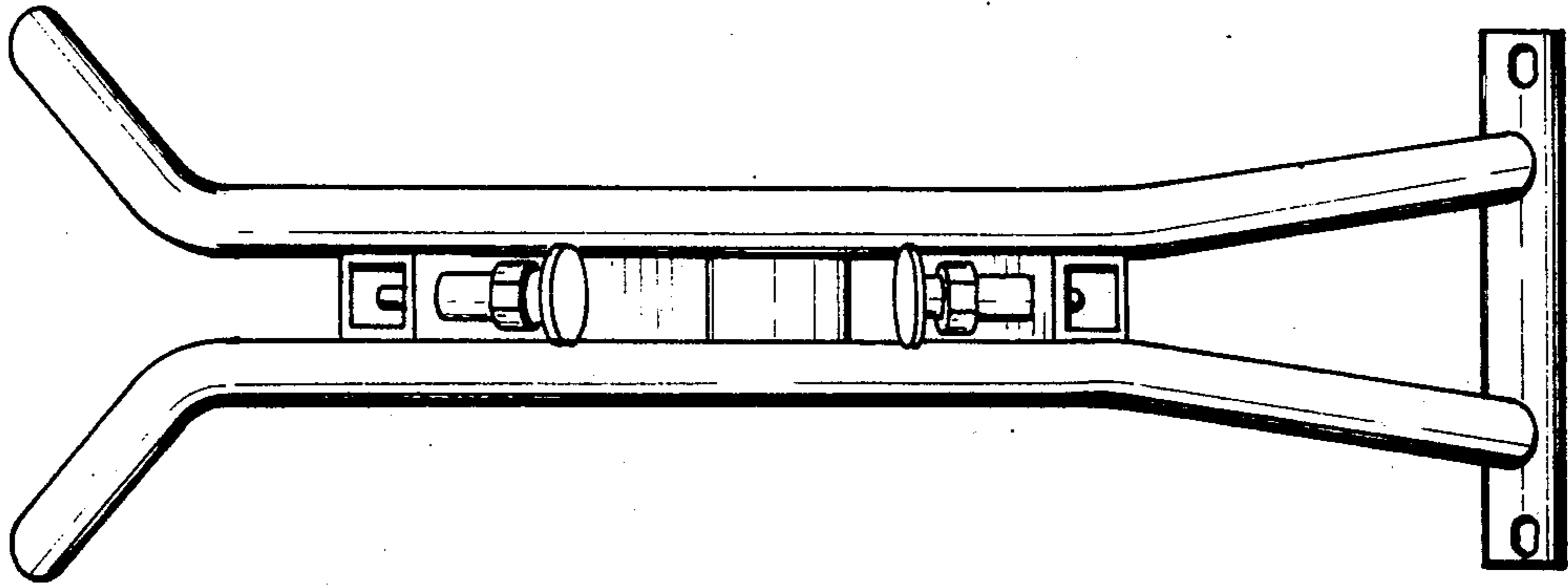


FIG 2

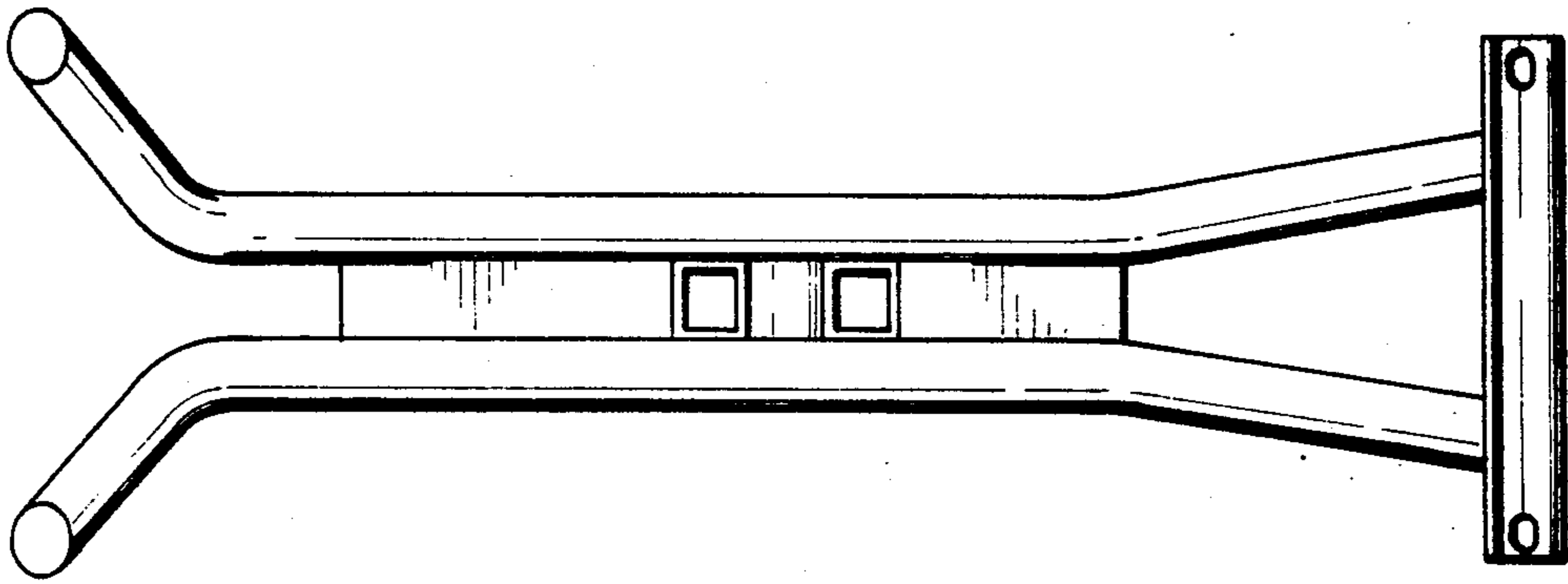


FIG 3

