

[54] TOY HELICOPTER

[75] Inventor: Robert C. Fisher, East Aurora, N.Y.

[73] Assignee: The Quaker Oats Company, Chicago, Ill.

[\*\*] Term: 14 Years

[21] Appl. No.: 578,669

[22] Filed: Feb. 9, 1984

[52] U.S. Cl. .... D21/85

[58] Field of Search ..... D21/82, 85, 87; 446/237, 230, 232

[56] References Cited

U.S. PATENT DOCUMENTS

- D. 179,811 3/1957 Messerschmidt ..... D21/87
- D. 232,183 7/1974 Reed ..... D21/85
- D. 247,985 5/1978 Breneman ..... D21/85

OTHER PUBLICATIONS

Yoneya Toy Catalog-1980, p. 5, Item #2276, Toy Helicopter.

Daiya Toy Catalog, 1980, p. 2, Item #741/BO Toy Helicopter.

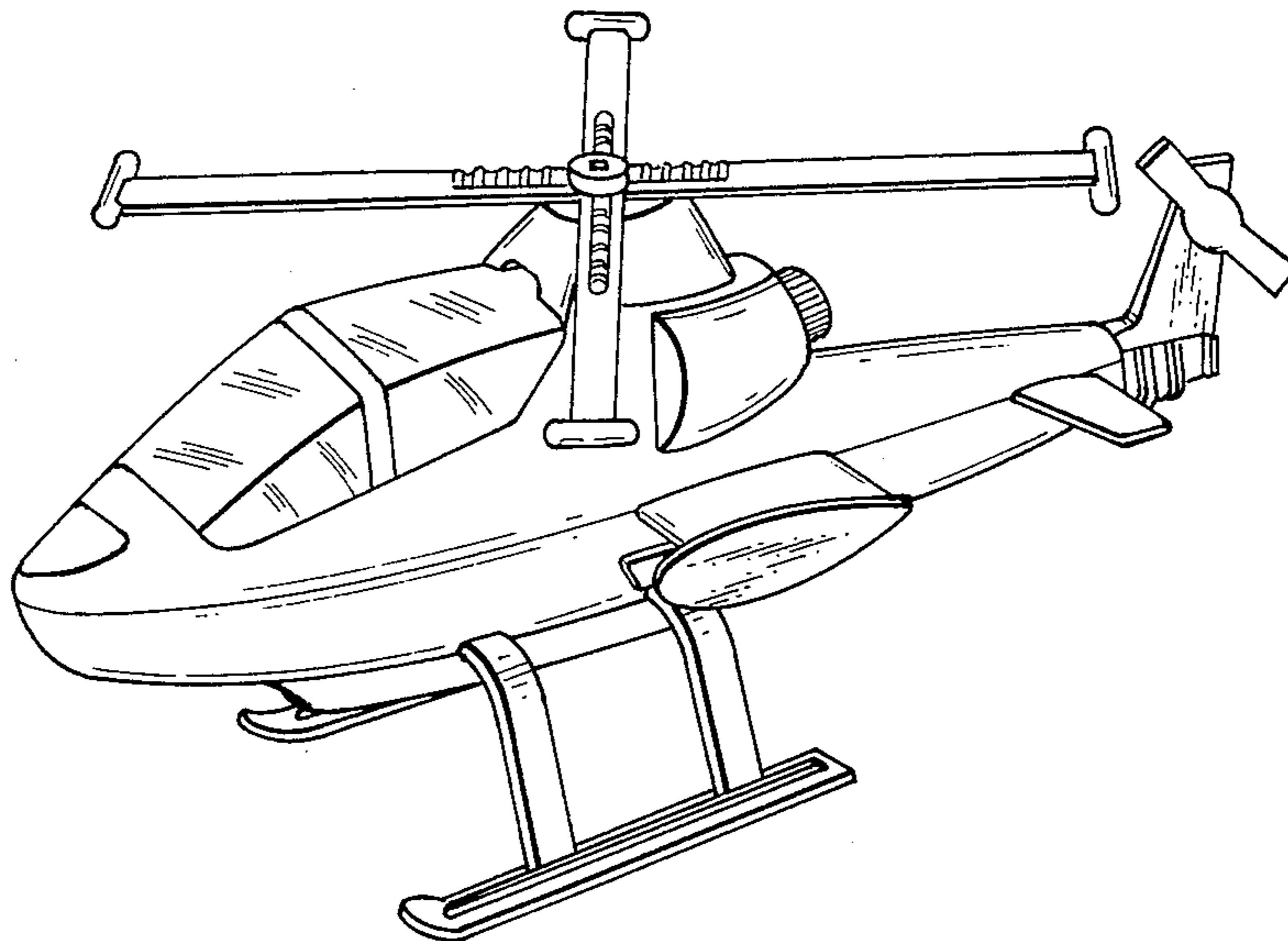
Primary Examiner—Charles A. Rademaker  
Attorney, Agent, or Firm—Cumpston & Shaw

[57] CLAIM

The ornamental design for a toy helicopter, substantially as shown and described.

DESCRIPTION

FIG. 1 is a perspective view of the top, front and left side of a toy helicopter showing my new design; FIG. 2 is a rear elevational view thereof; FIG. 3 is a right-side elevational view thereof; and FIG. 4 is a bottom plan view thereof.



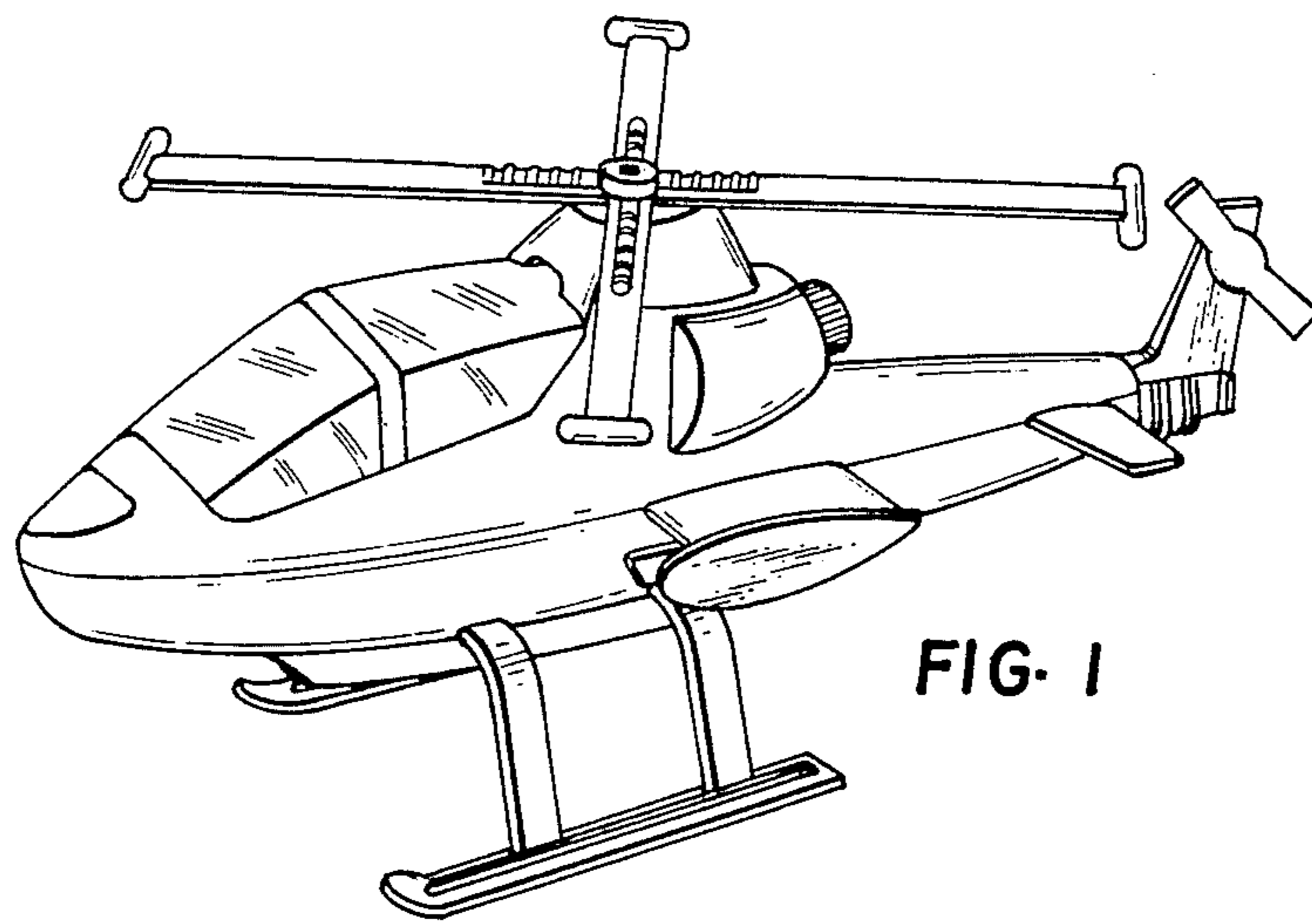


FIG. 1

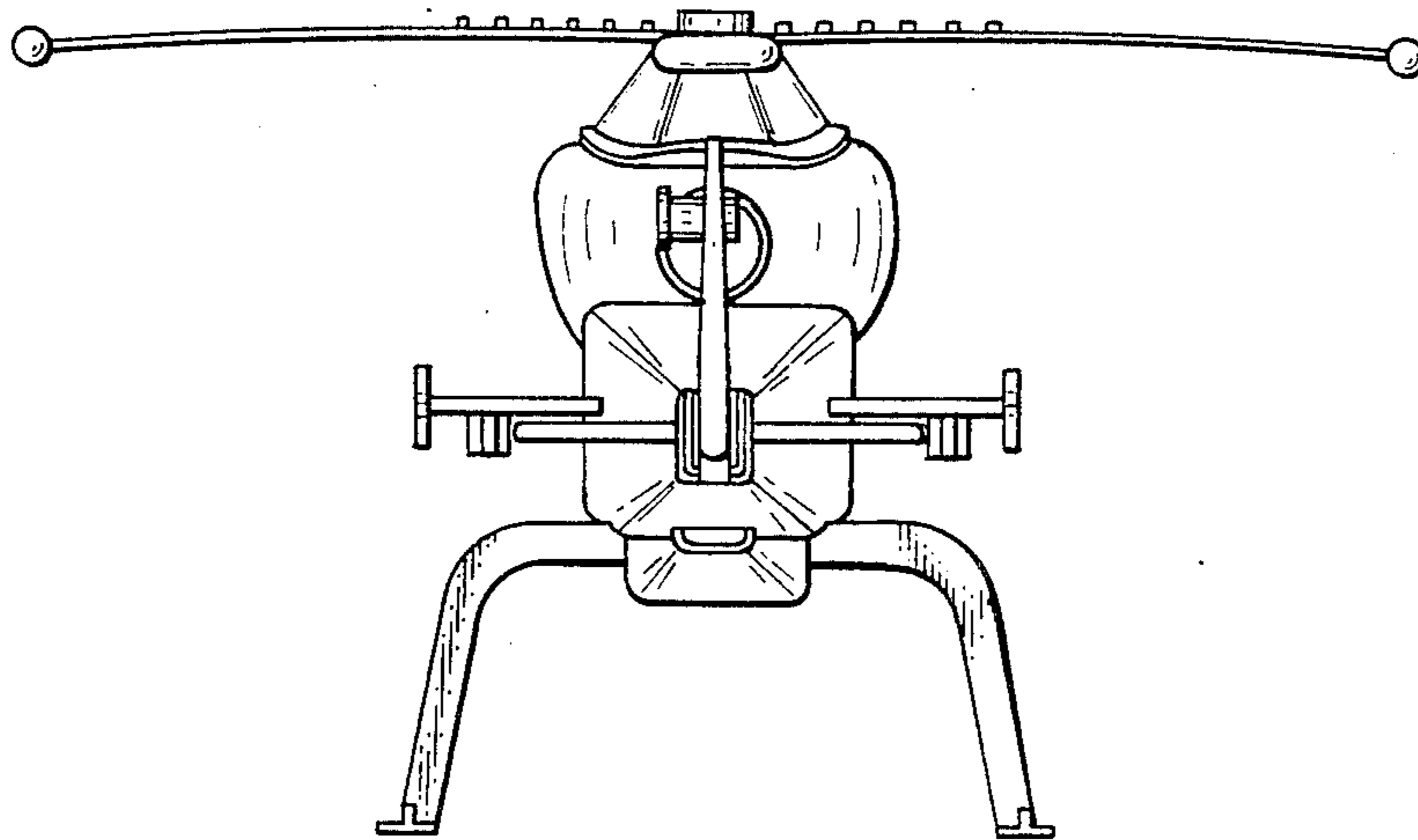


FIG. 2

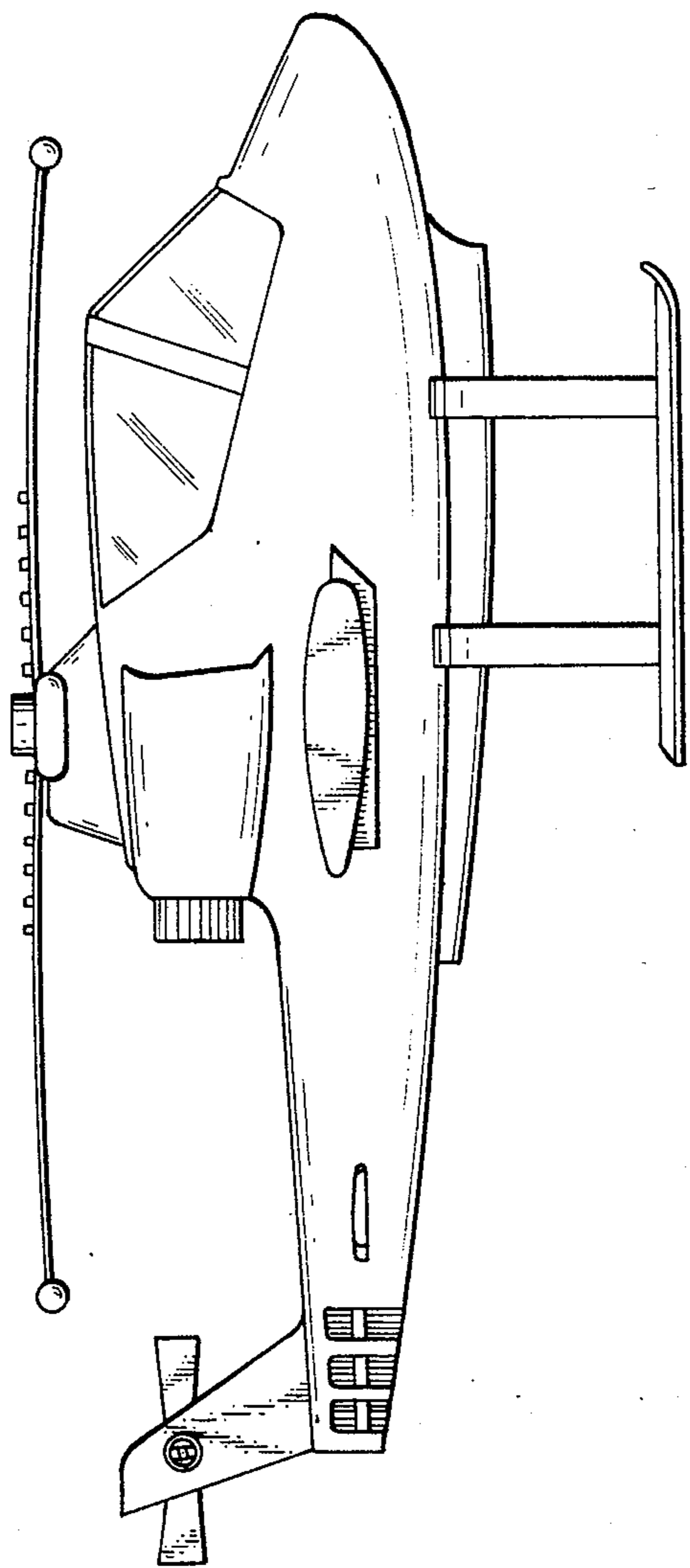


FIG. 3

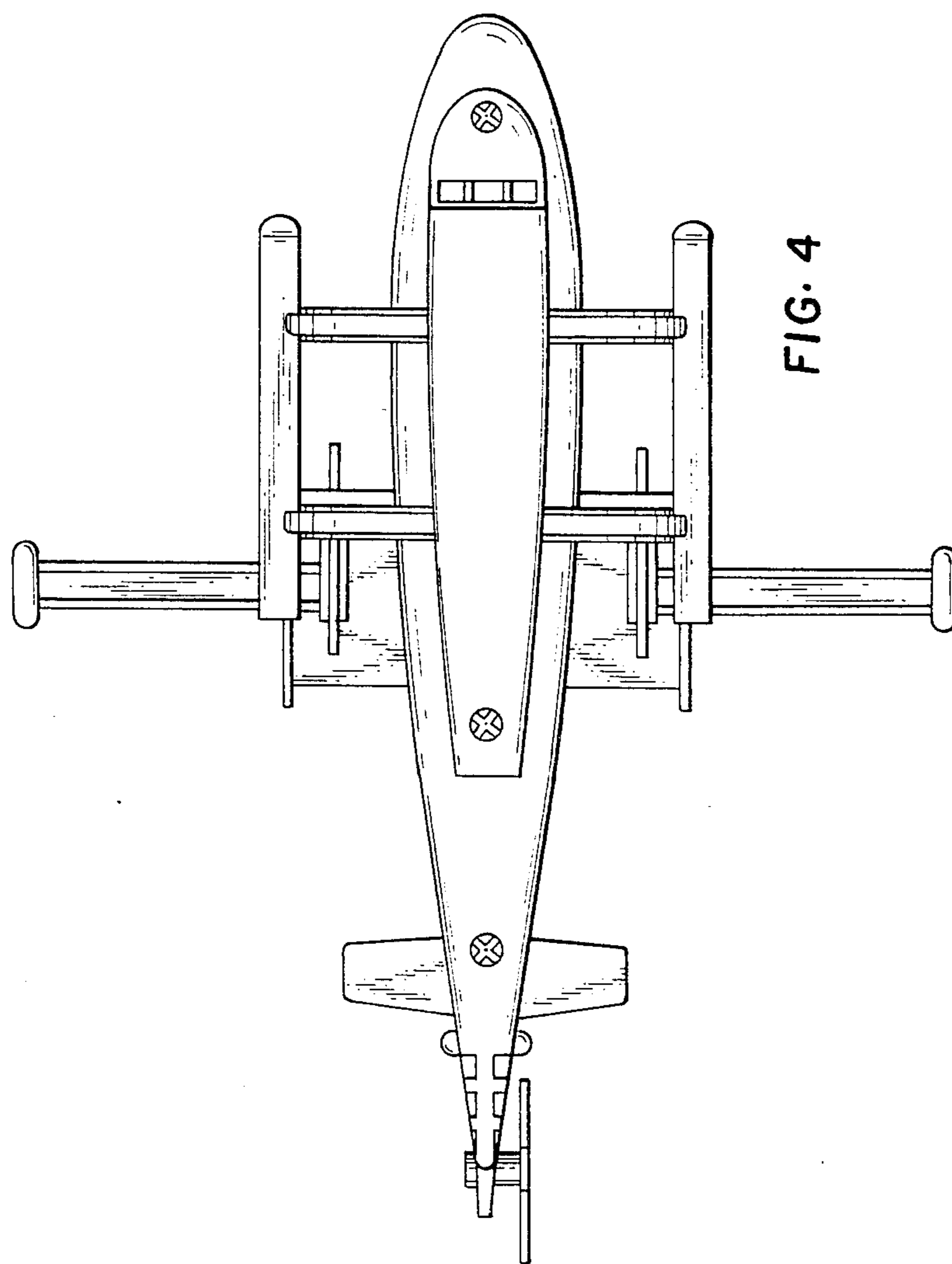


FIG. 4