

[54] DISPLAY BOARD ASSEMBLY

4,425,727 1/1984 Waldekrantz 40/585 X

[76] Inventor: Houston F. James, 8350 Moberly La.,
Dallas, Tex. 75227

Primary Examiner—Catherine E. Kemper
Attorney, Agent, or Firm—T. D. Copeland

[**] Term: 14 Years

[57] CLAIM

[21] Appl. No.: 547,045

The ornamental design for a display board assembly, as shown and described.

[22] Filed: Oct. 31, 1983

DESCRIPTION

[52] U.S. Cl. D20/42

[58] Field of Search 40/489, 584, 585, 611,
40/617, 618, 621; D20/10, 12, 39-42

FIG. 1 is a top front perspective view of a display board assembly showing my new design;

FIG. 2 is a side elevational view thereof;

FIG. 3 is a top plan view, the bottom plan view being identical thereto;

FIG. 4 is a rear perspective view thereof;

FIG. 5 is a top front perspective view, shown on a reduced scale of a second embodiment of a display board assembly.

The subject matter of this application is also shown in or pertinent to my copending patent applications filed of even date herewith, which applications (3) are incorporated herein by reference.

[56] References Cited

U.S. PATENT DOCUMENTS

D. 258,829	4/1981	Silverman	D20/10
D. 279,585	7/1985	Seggerson et al.	D20/10
2,298,081	10/1942	Cohen	40/622
2,600,505	6/1952	Jones	40/621
3,168,787	2/1965	Surrey	40/621 X
3,827,168	8/1974	Mori	40/621 X
3,866,343	2/1975	Frost et al.	40/585
4,292,752	10/1981	Clark	40/611 X

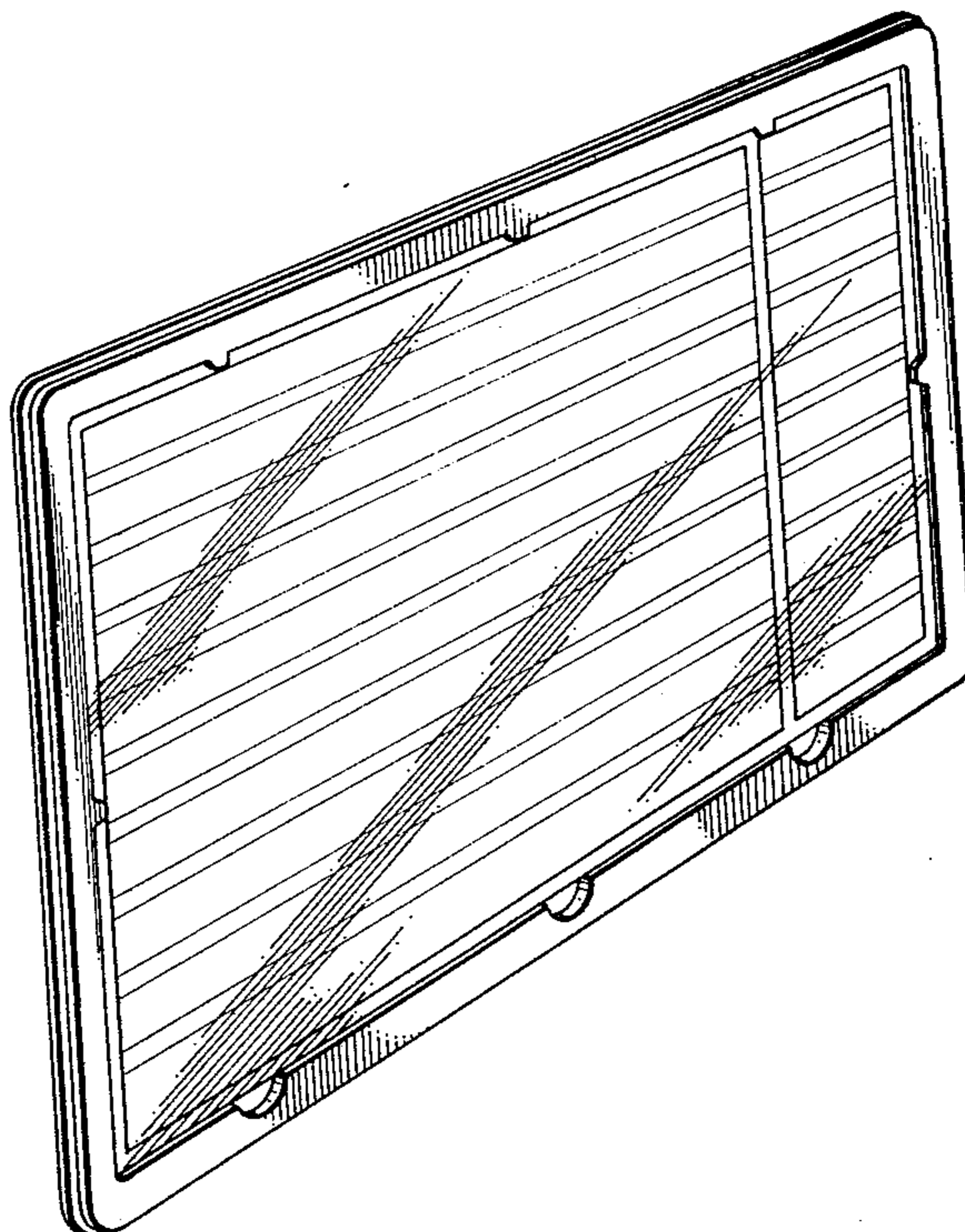


FIG. 1

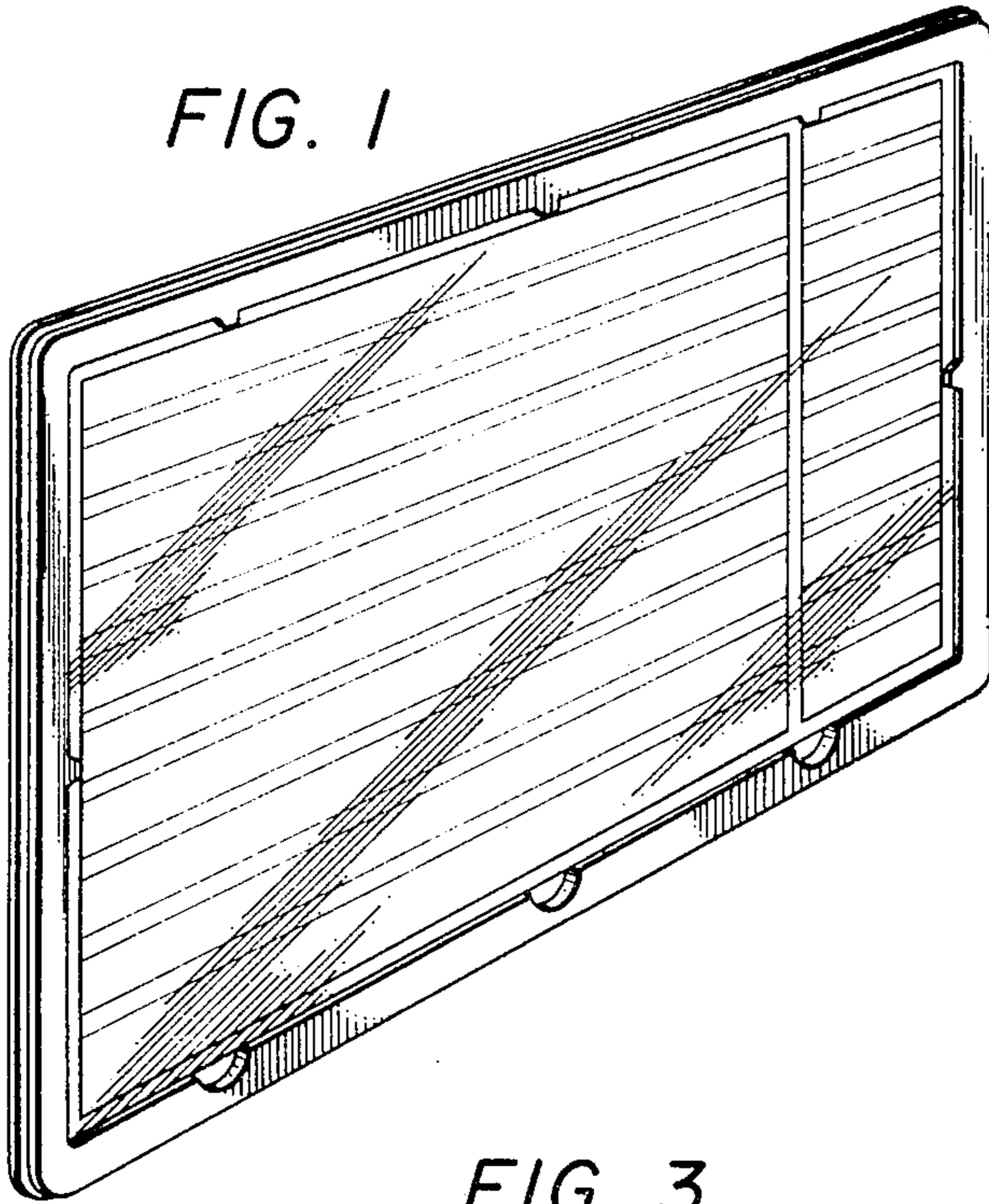


FIG. 2



FIG. 3

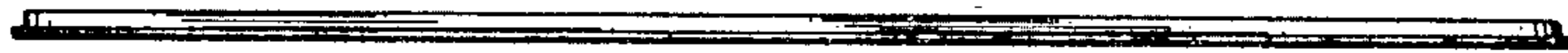


FIG. 4

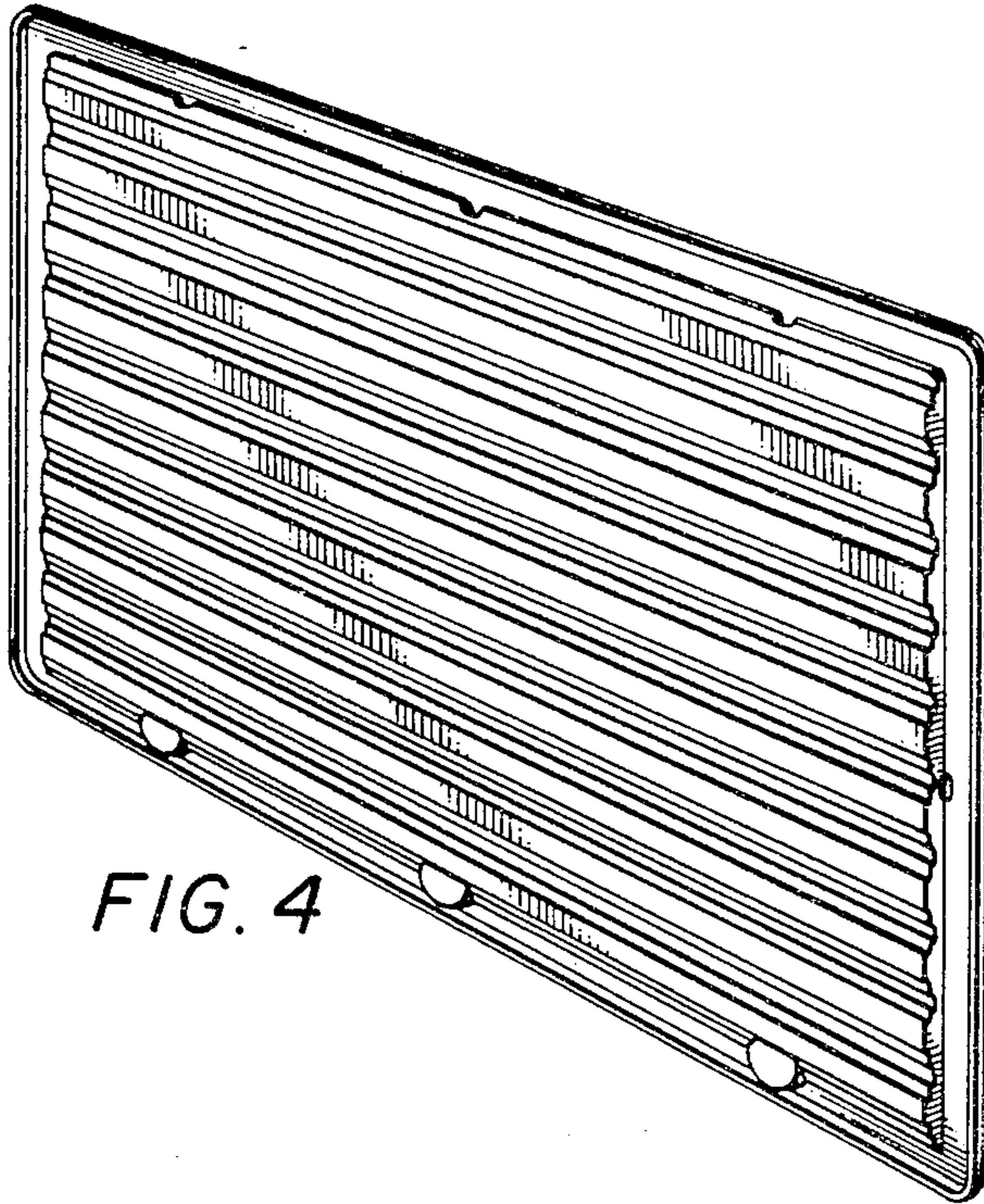


FIG. 5

