

[54] COMBINED DISPENSER AND MOISTENING DEVICE FOR ADHESIVE TAPE

[75] Inventor: Bo Runbjörk, Anderstorp, Sweden

[73] Assignee: AB Verktyg & Press, Anderstorp, Sweden

[**] Term: 14 Years

[21] Appl. No.: 477,795

[22] Filed: Mar. 22, 1983

[30] Foreign Application Priority Data

Sep. 23, 1982 [SE] Sweden 82-2303

[52] U.S. Cl. D19/69; D19/70

[58] Field of Search D19/66-70; 225/6, 19; 118/413, 43, 415; D8/14

[56] References Cited

U.S. PATENT DOCUMENTS

- D. 81,561 7/1930 Litz D19/70
- D. 137,464 3/1944 Nedblake et al. D19/70

- D. 162,059 2/1951 Morris D19/70
- D. 163,683 6/1951 Ferrato D19/70
- D. 251,599 4/1979 Fritzinger D19/69

OTHER PUBLICATIONS

Sealo-Matic Dispenser Co. 12/68, p. 2, Item #35.

Primary Examiner—George P. Word
Attorney, Agent, or Firm—Pollock, Vande Sande & Priddy

[57] CLAIM

The ornamental design for a combined dispenser and moistening device for adhesive tape, as shown and described.

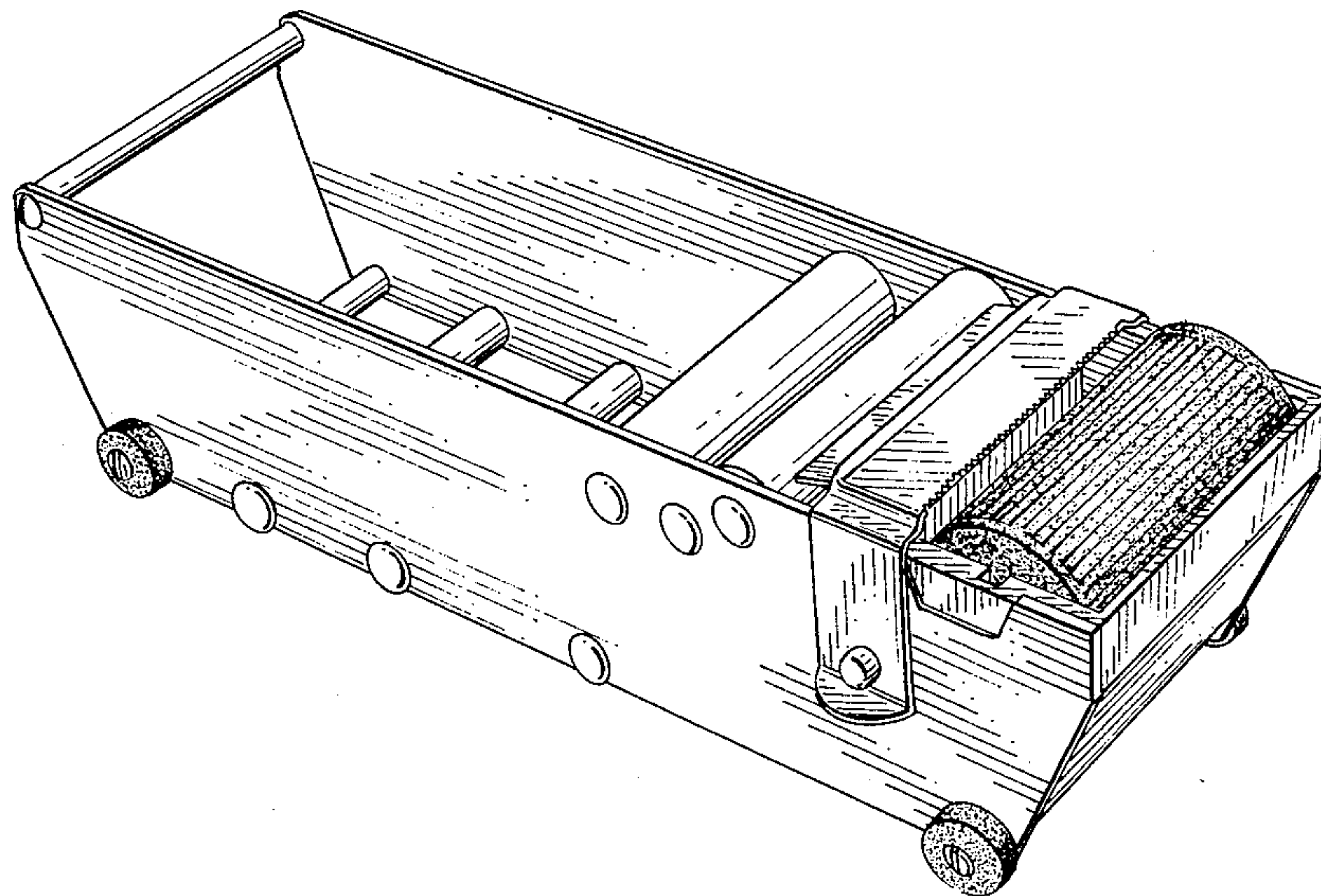
DESCRIPTION

FIG. 1 is a front perspective view of a combined dispenser and moistening device for adhesive tape showing my new design;

FIG. 2 is a rear perspective view thereof;

FIG. 3 is an enlarged scale perspective view of the liquid container removed from the dispenser; and

FIG. 4 is an exploded perspective view of the combined dispenser and moistening device.



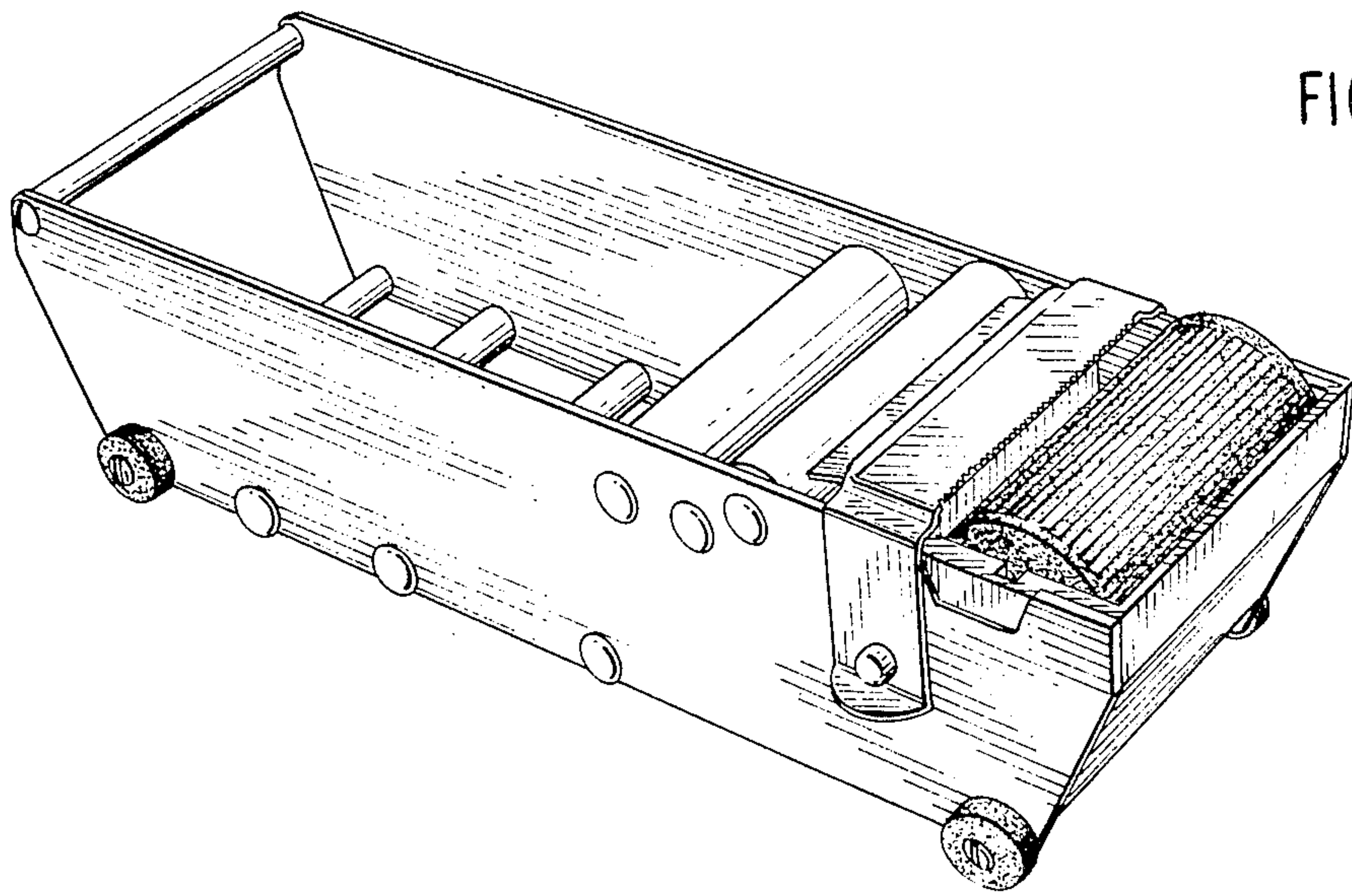


FIG. 1

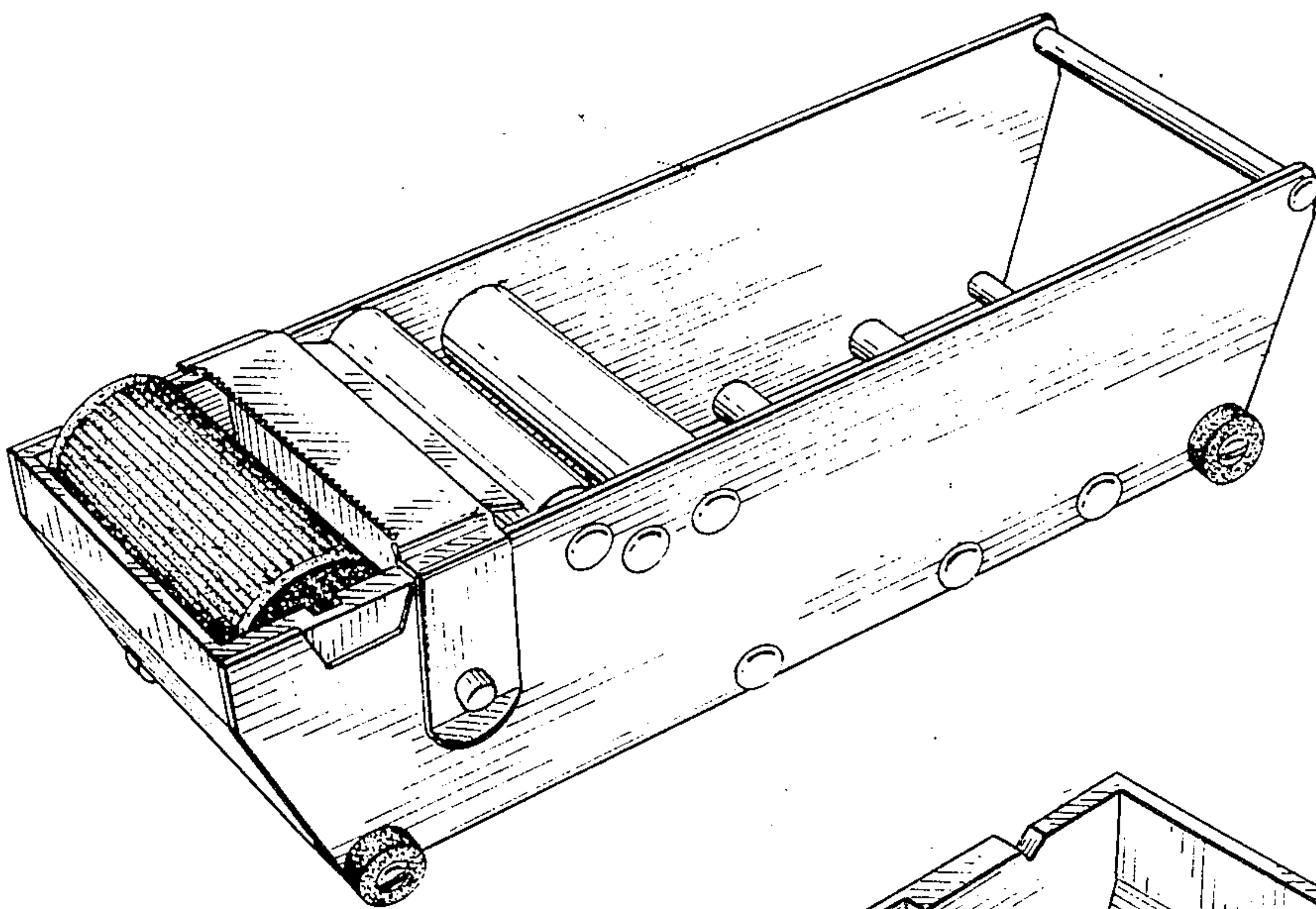


FIG. 2

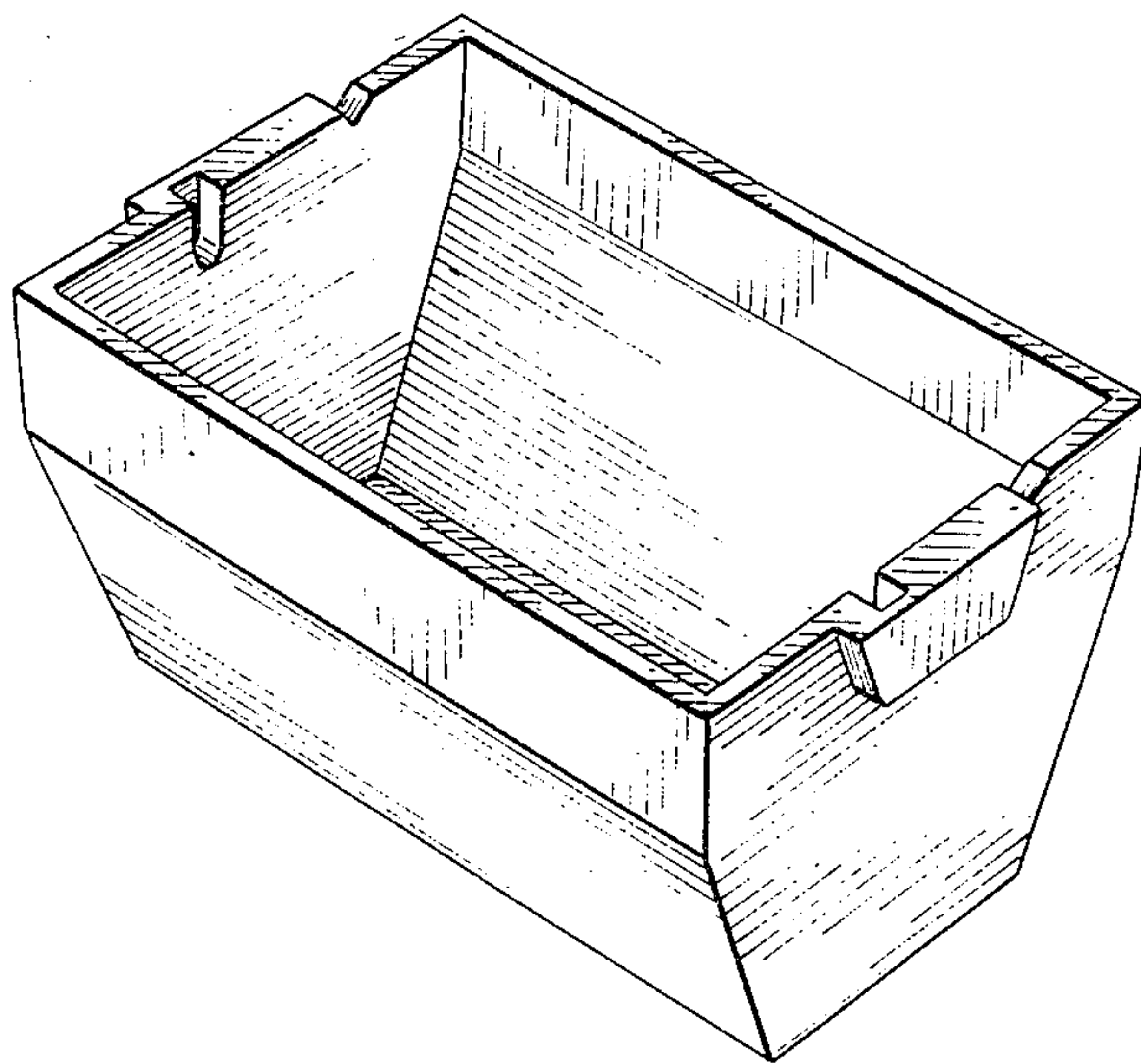


FIG. 3

