

[54] EMBROIDERY MACHINE

[75] Inventor: Yoshihide Yoneda, Hirakata, Japan

[73] Assignee: Maruzen Sewing Machine Co., Ltd., Osaka, Japan

[\*\*] Term: 14 Years

[21] Appl. No.: 506,972

[22] Filed: Jun. 23, 1983

[30] Foreign Application Priority Data

Feb. 14, 1983 [JP] Japan ..... 58-5476

Feb. 15, 1983 [JP] Japan ..... 58-5750

[52] U.S. Cl. .... D15/72

[58] Field of Search ..... D15/72, 78; 38/102.2-102.6; 112/121.12, 121.11

[56] References Cited

U.S. PATENT DOCUMENTS

- 2,345,104 3/1944 Dittrich ..... 112/121.12
- 4,195,581 4/1980 Ohara ..... 112/121.12 X
- 4,325,315 4/1982 Totino et al. .... 112/121.11 X
- 4,386,573 6/1983 Davidson et al. .... 112/121.12 X

4,419,945 12/1983 Nishina ..... 112/121.12 X

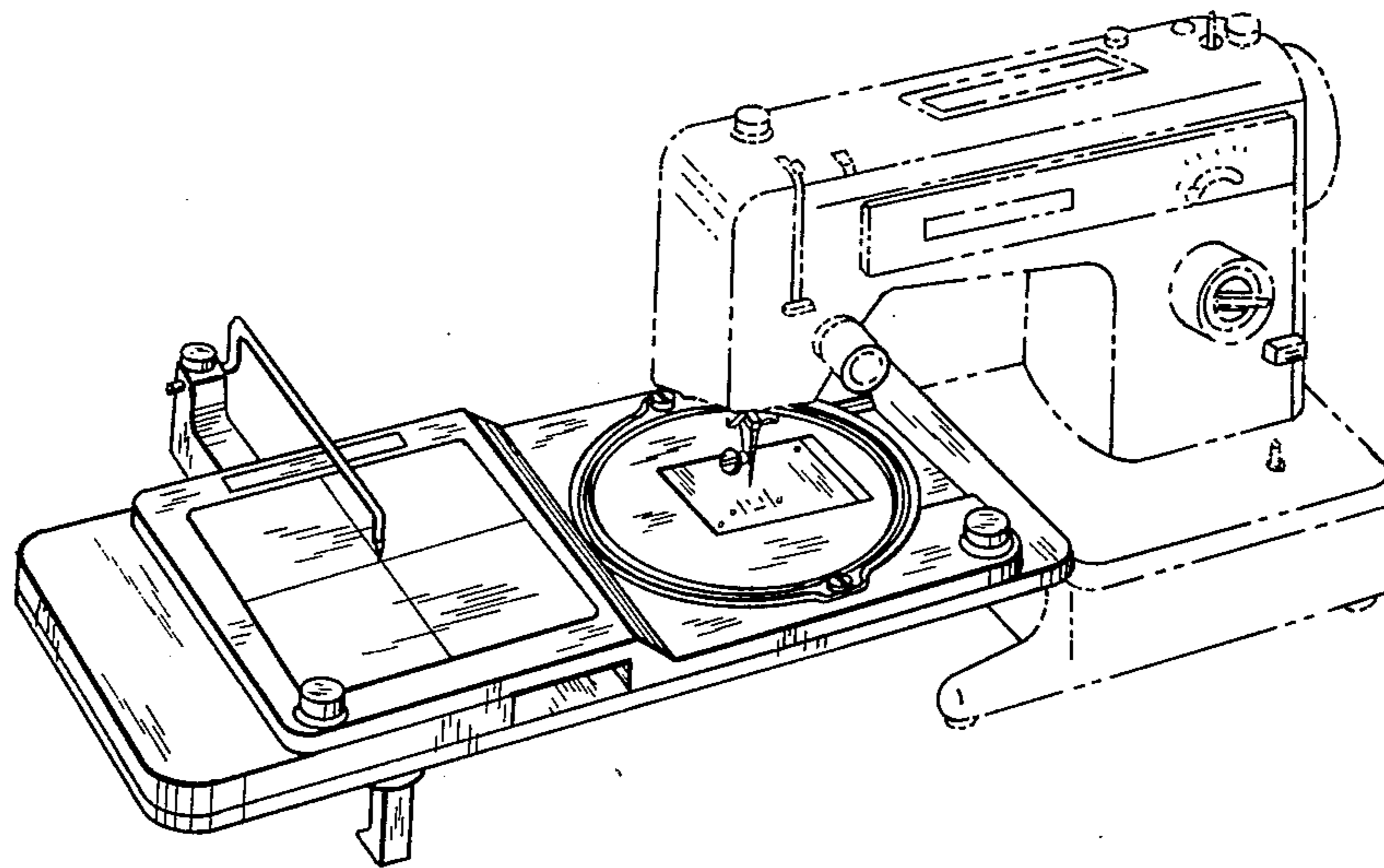
Primary Examiner—Bernard Ansher  
Assistant Examiner—Linda Titolo  
Attorney, Agent, or Firm—Lowe Price LeBlanc Becker & Shur

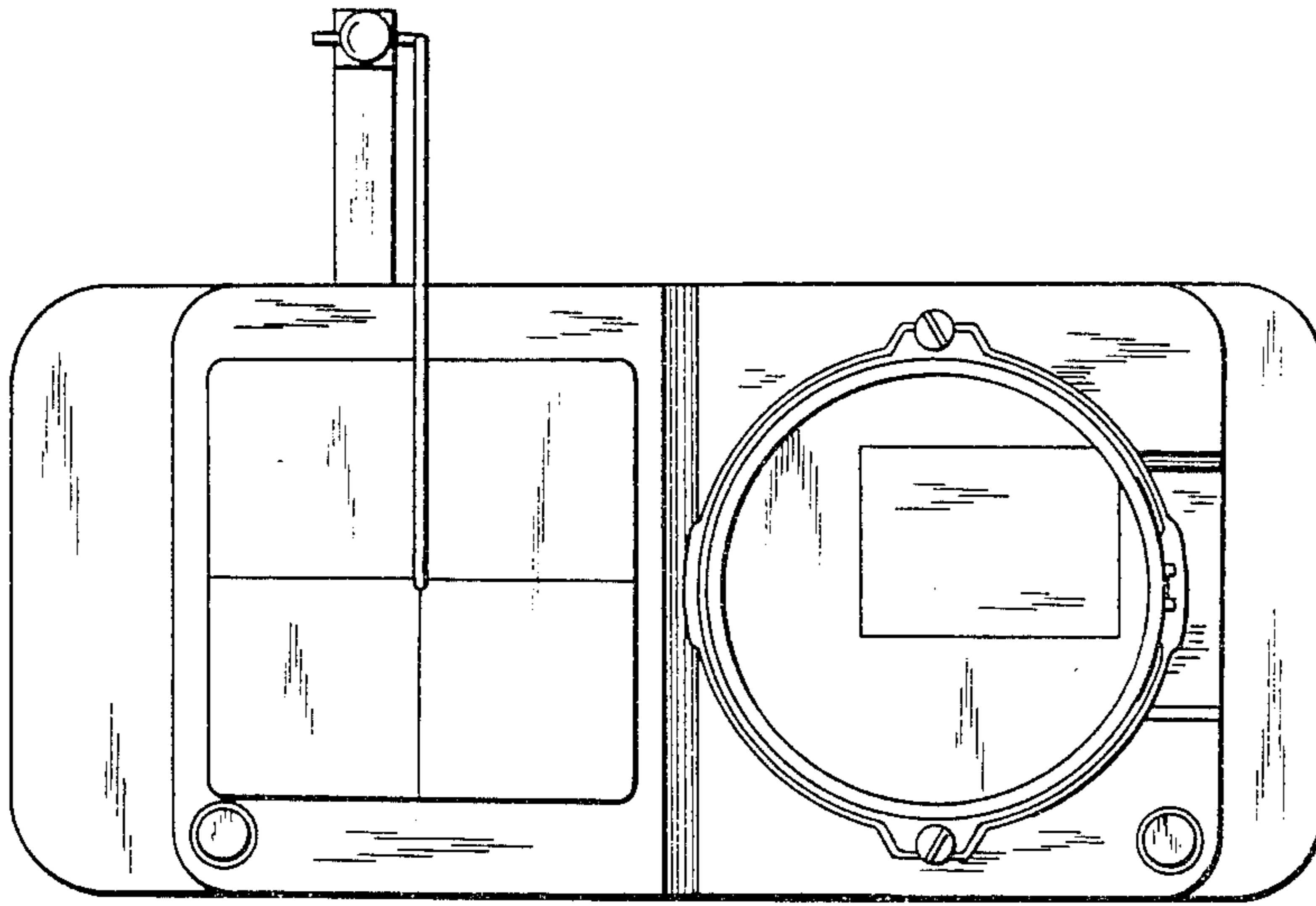
[57] CLAIM

The ornamental design for an embroidery machine, as shown.

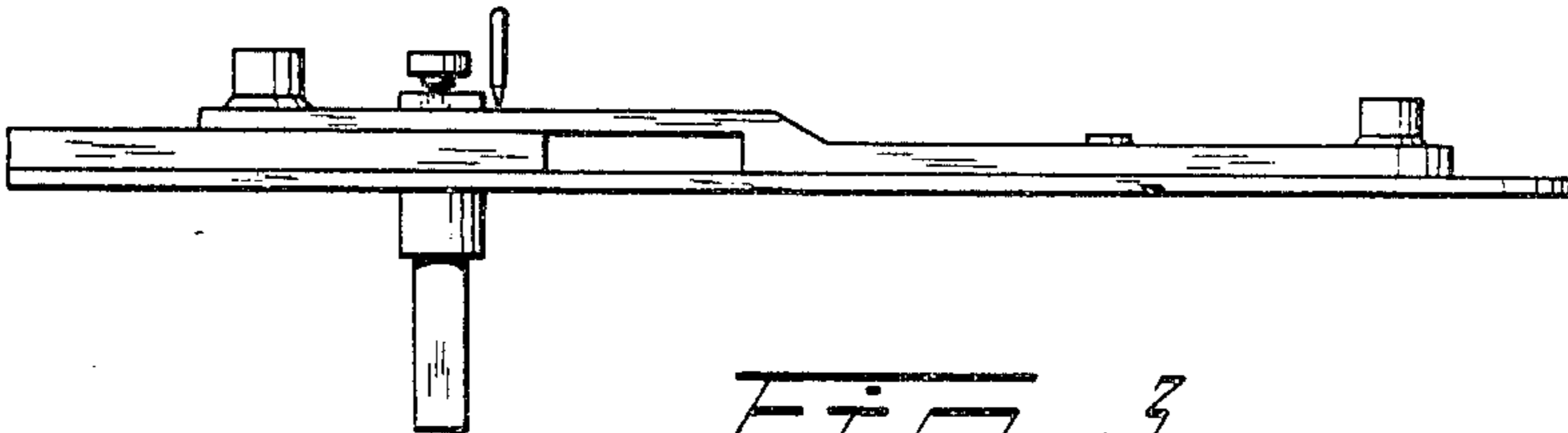
DESCRIPTION

FIG. 1 is a top plan view of an embroidery machine showing my new design;  
FIG. 2 is a bottom plan view thereof;  
FIG. 3 is a front elevational view thereof;  
FIG. 4 is a rear elevational view thereof;  
FIG. 5 is a right side elevational view thereof;  
FIG. 6 is a left side elevational view thereof;  
FIG. 7 is a top front perspective view thereof;  
FIG. 8 is a bottom rear perspective view thereof;  
FIG. 9 is a top front perspective view thereof, with the movable plate in an alternate position; the sewing machine is shown in broken lines for illustrative purposes only.

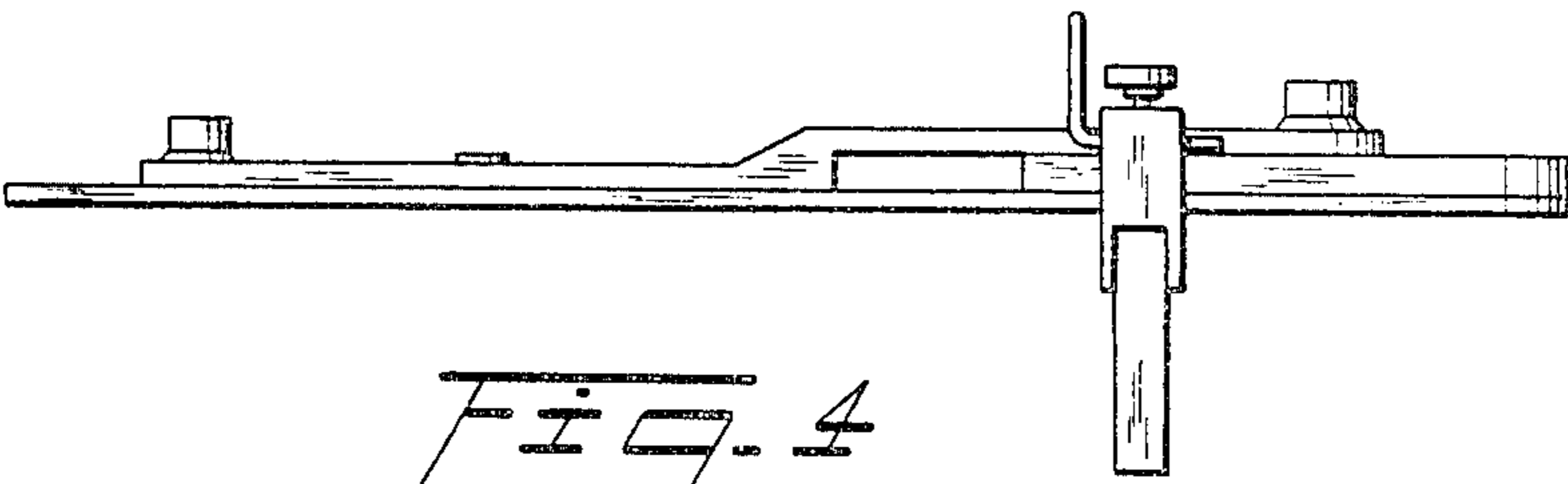




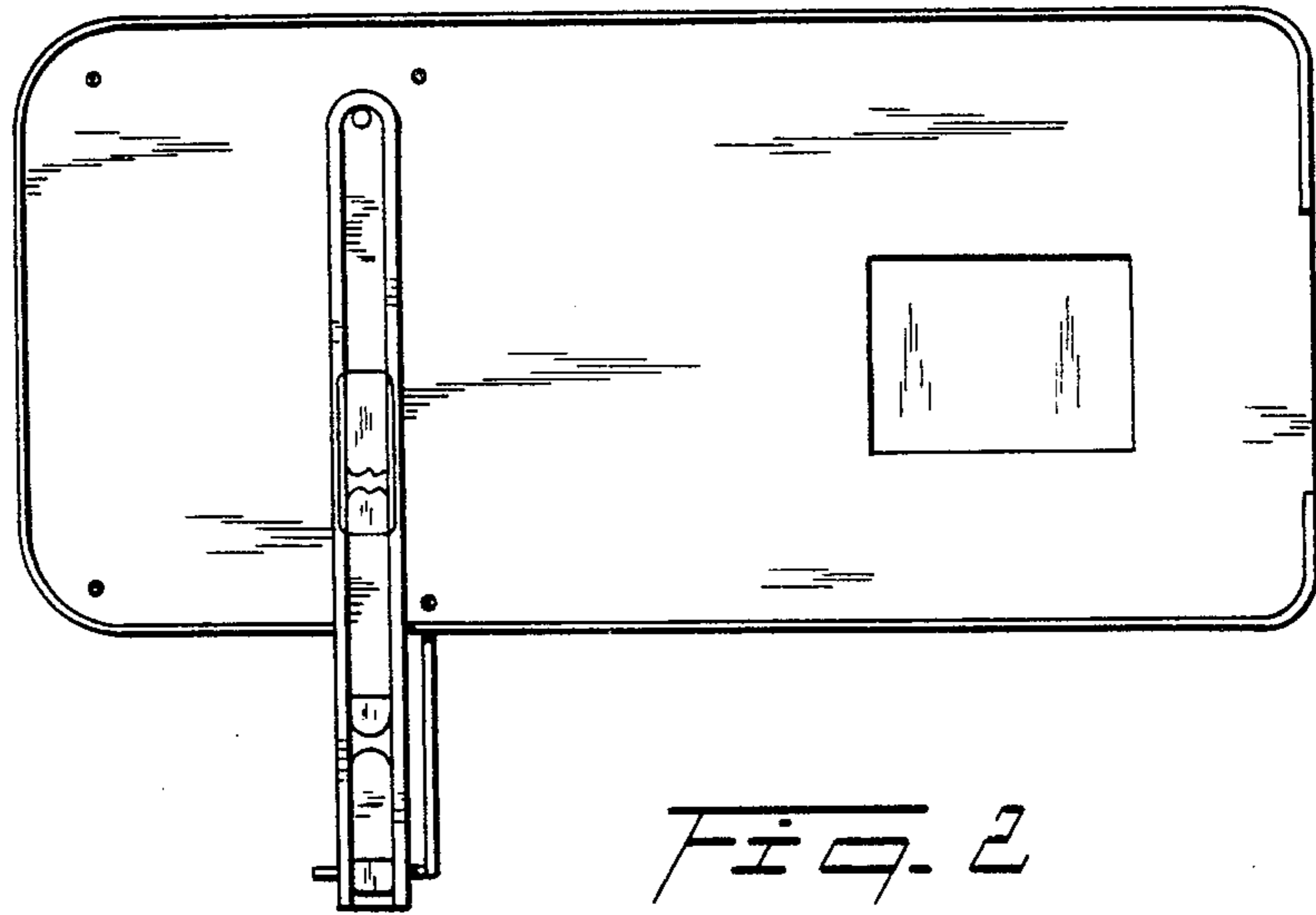
*FIG. 1*



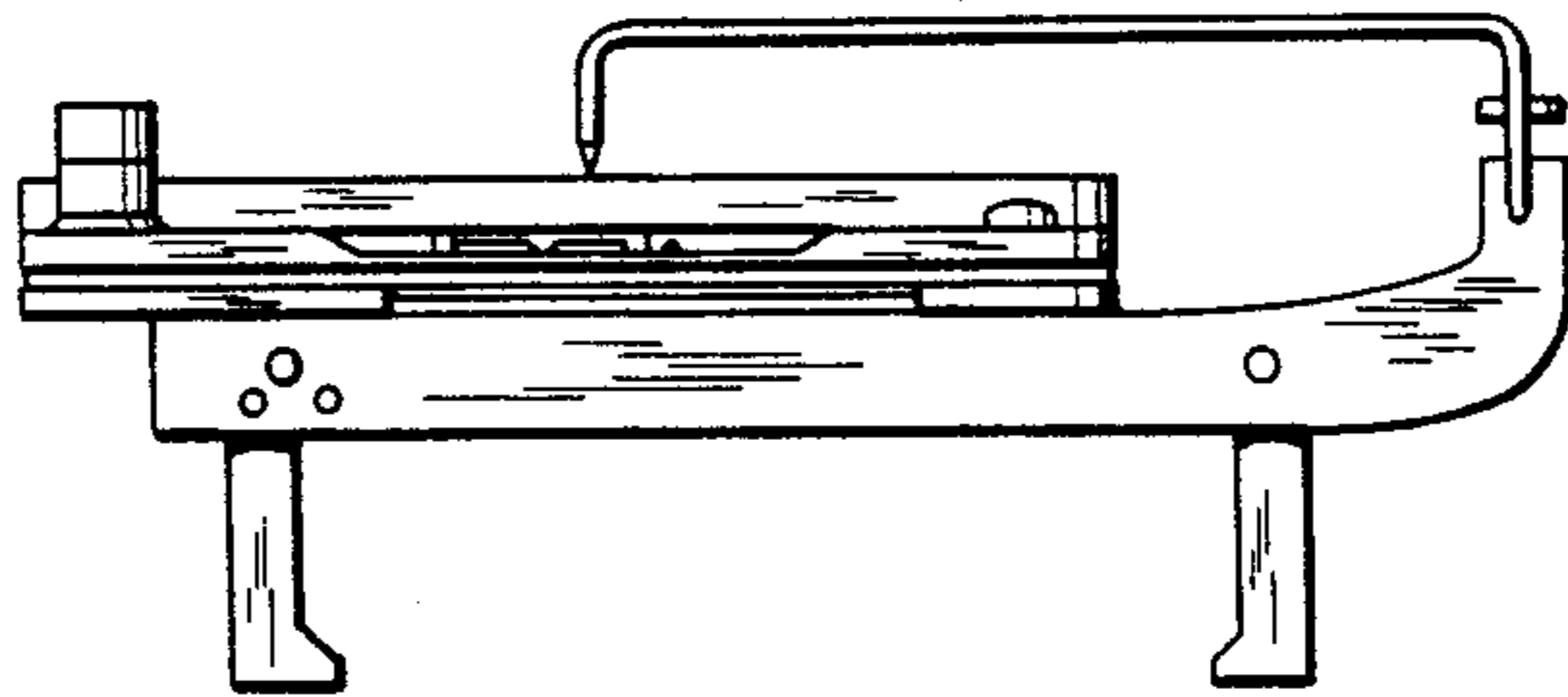
*FIG. 3*



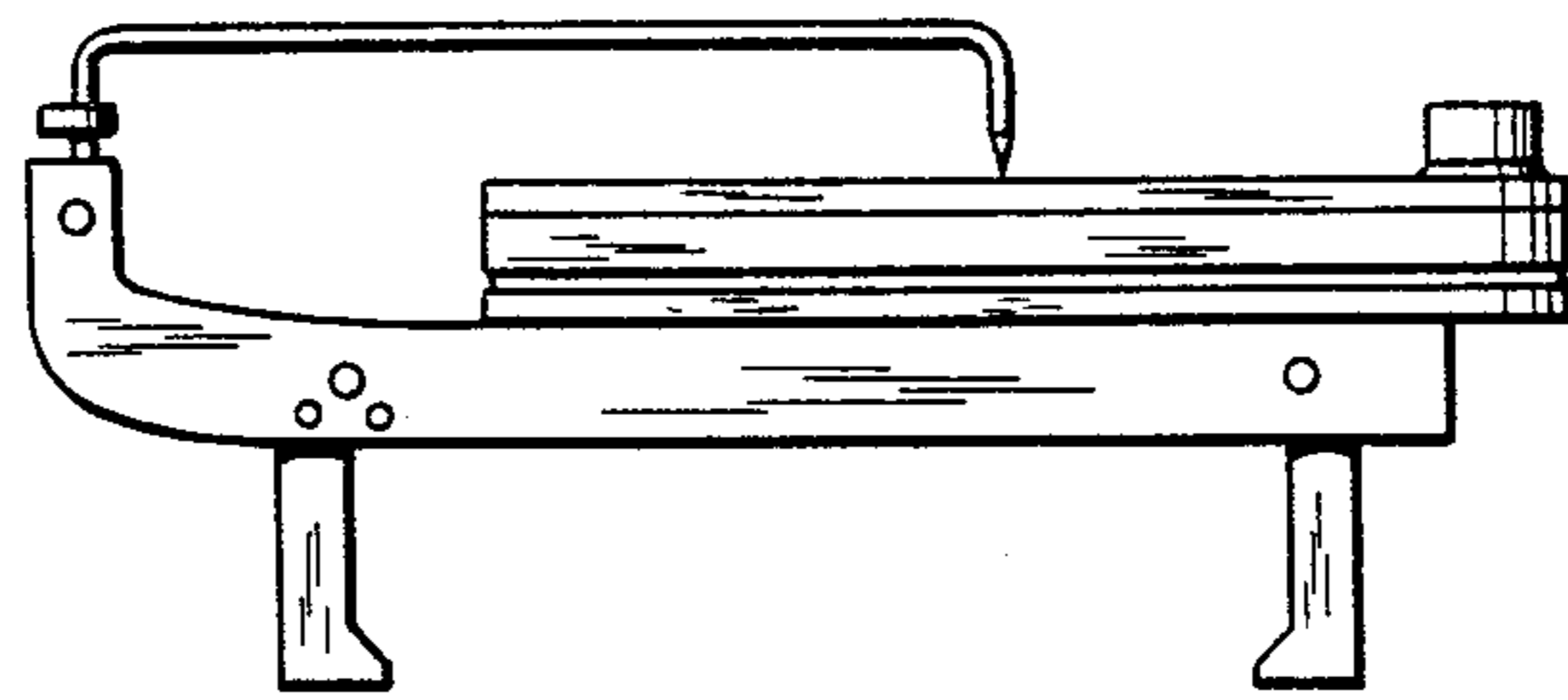
*FIG. 4*



*Fig. 2*



*Fig. 5*



*Fig. 6*

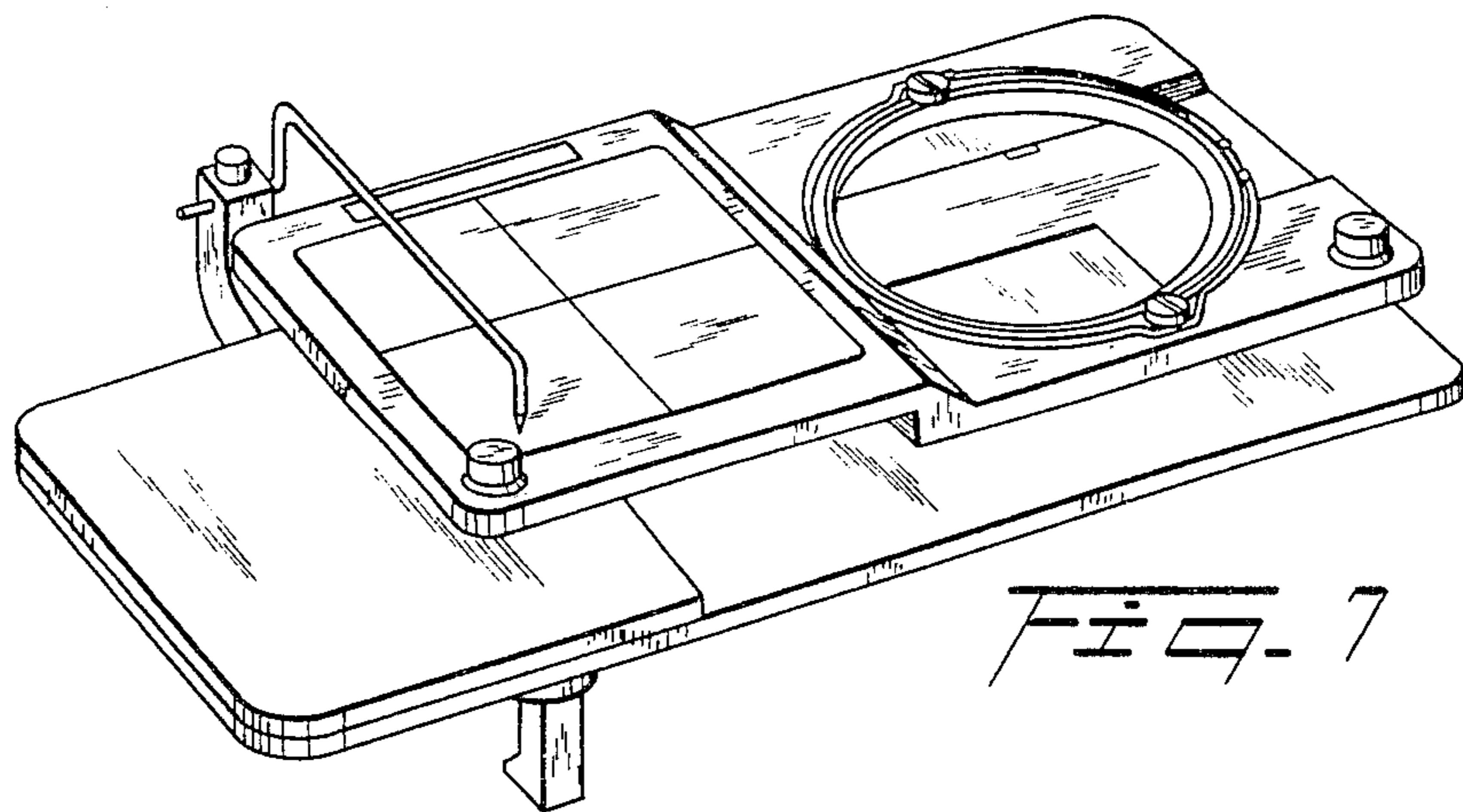


FIG. 7

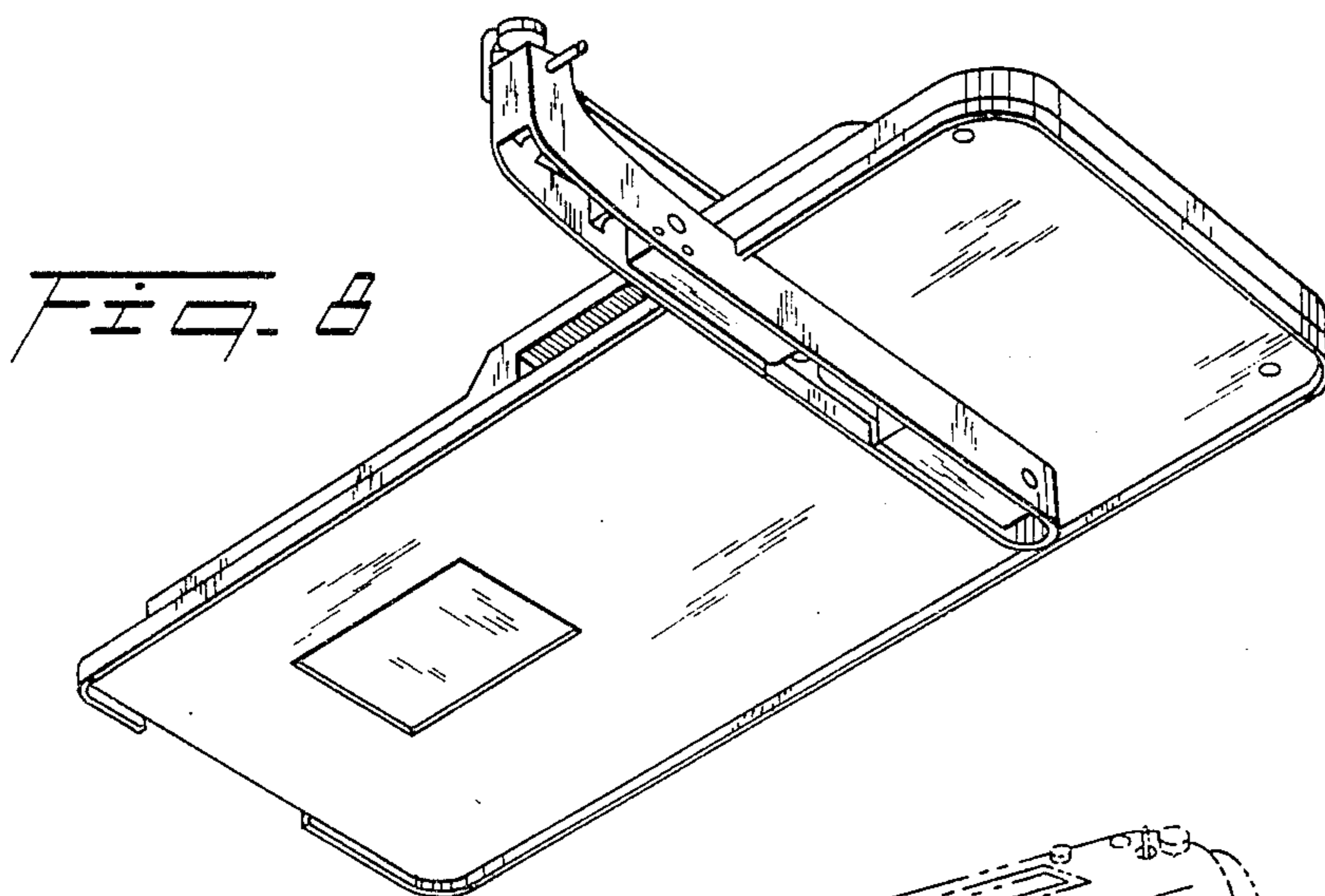


FIG. 8

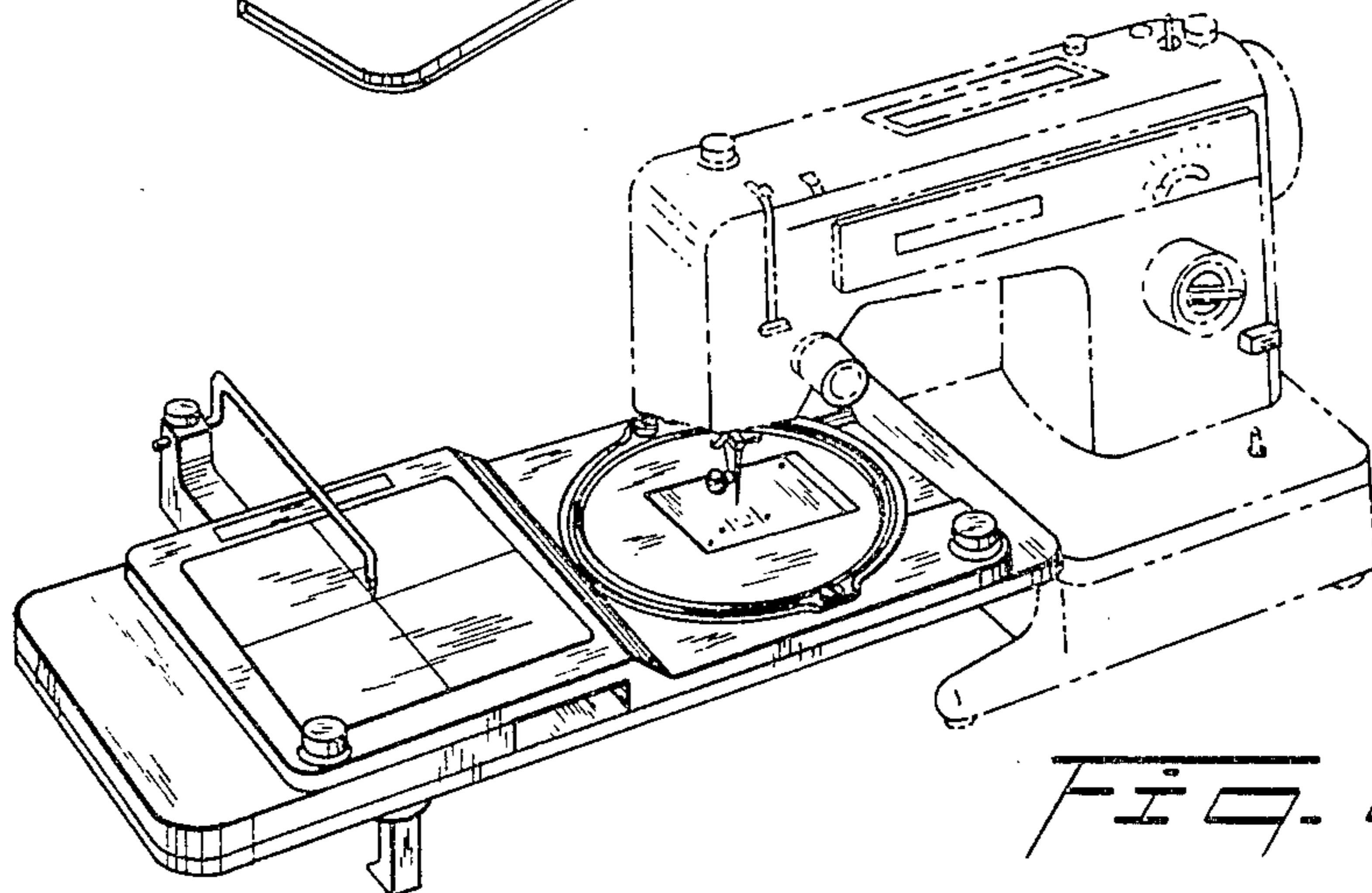


FIG. 9