

[54] HOUSING FOR HYDRAULIC POWER UNIT FOR A LOADER ATTACHMENT

[76] Inventor: Robert J. DuBose, 2361 Durham-Dayton Hwy., Durham, Calif. 95938

[**] Term: 14 Years

[21] Appl. No.: 682,875

[22] Filed: Dec. 18, 1984

[52] U.S. Cl. D15/28

[58] Field of Search D15/10, 28, 23; 180/6.48, 69.21, 89.1; 280/759, 760

[56] References Cited

U.S. PATENT DOCUMENTS

D. 247,814	5/1978	Johnson et al.	D15/23
D. 272,825	2/1984	Cochran et al.	D15/23
D. 272,826	2/1984	Cochran et al.	D15/23
4,322,107	3/1982	Ishizuka et al.	180/89.1
4,506,750	3/1985	Leskovec	180/69.21

Primary Examiner—B. J. Bullock
Assistant Examiner—Suzanne N. Gitlin
Attorney, Agent, or Firm—Lothrop & West

[57] CLAIM

The ornamental design for a housing for hydraulic power unit for a loader attachment, as shown and described.

DESCRIPTION

FIG. 1 is a rear perspective view of a housing for hydraulic power unit for a loader attachment, showing my new design;

FIG. 2 is a side elevational view taken from the right of FIG. 1;

FIG. 3 is a front elevational view thereof;

FIG. 4 is a side elevational view taken from the left of FIG. 1;

FIG. 5 is a top plan view thereof;

FIG. 6 is a bottom plan view thereof;

FIG. 7 is a rear elevational view thereof; and,

FIG. 8 is a sectional view taken in the direction of the arrows along line 8—8 in FIG. 3.

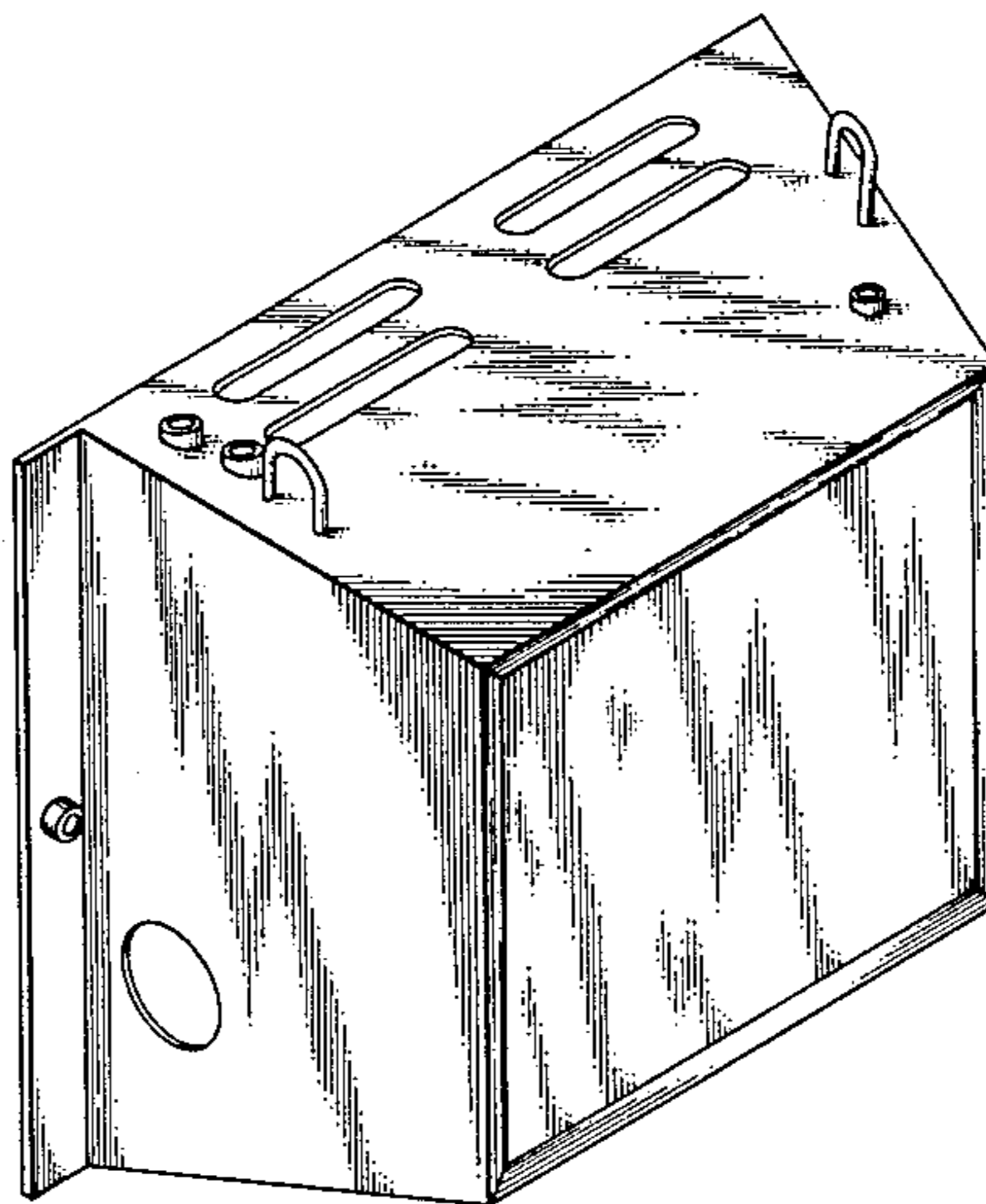


FIG. 1.

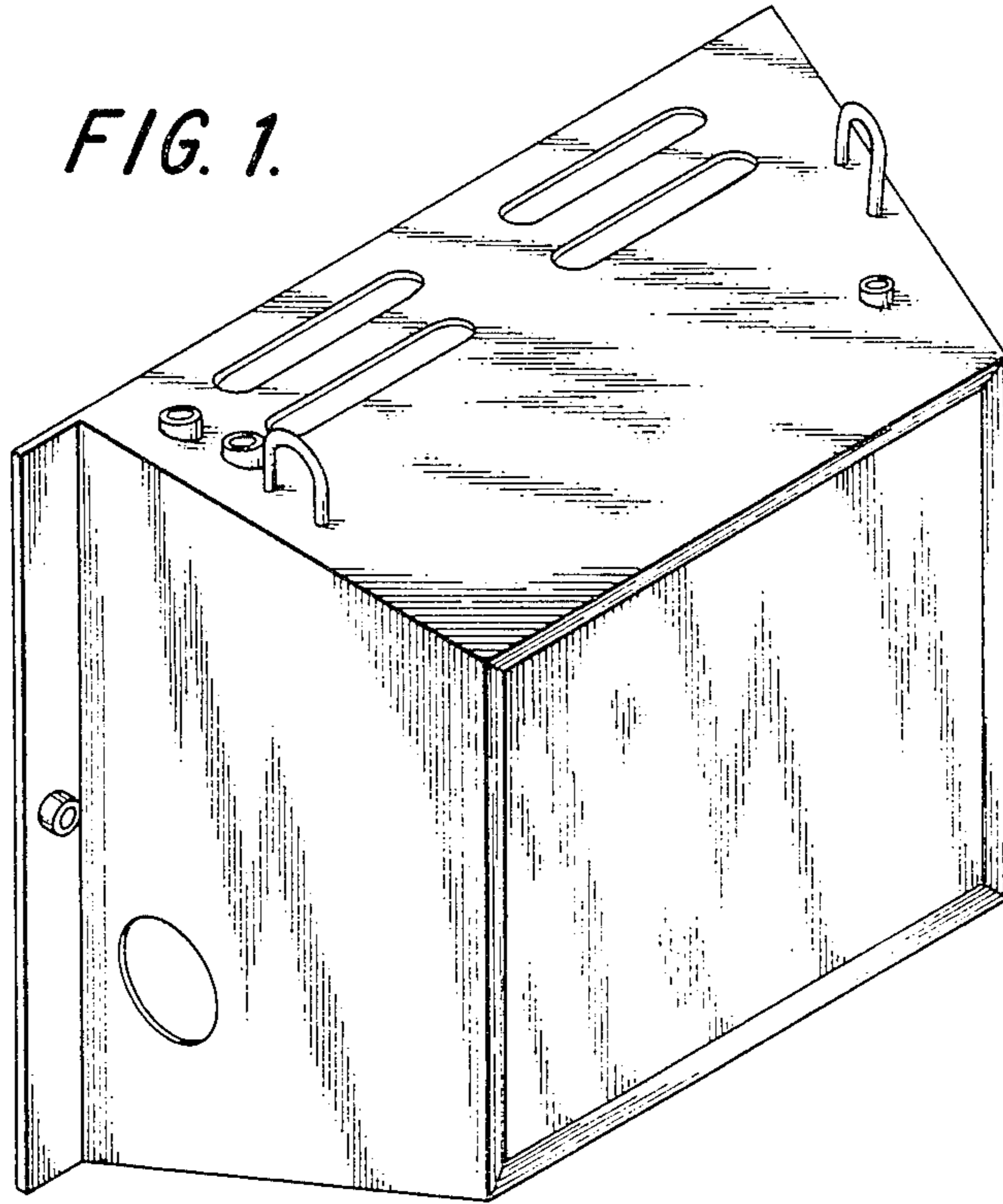


FIG. 2.

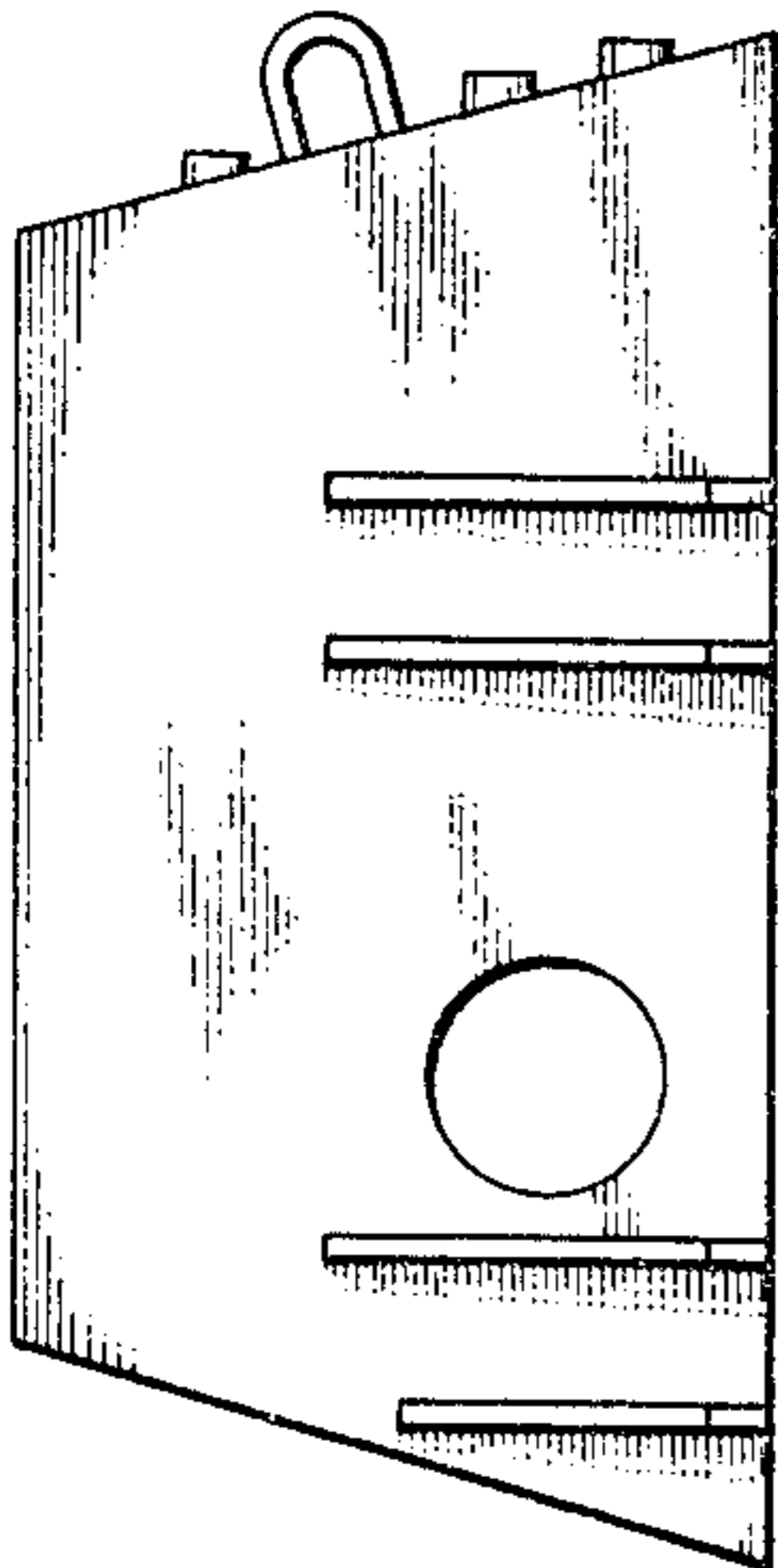


FIG. 4.

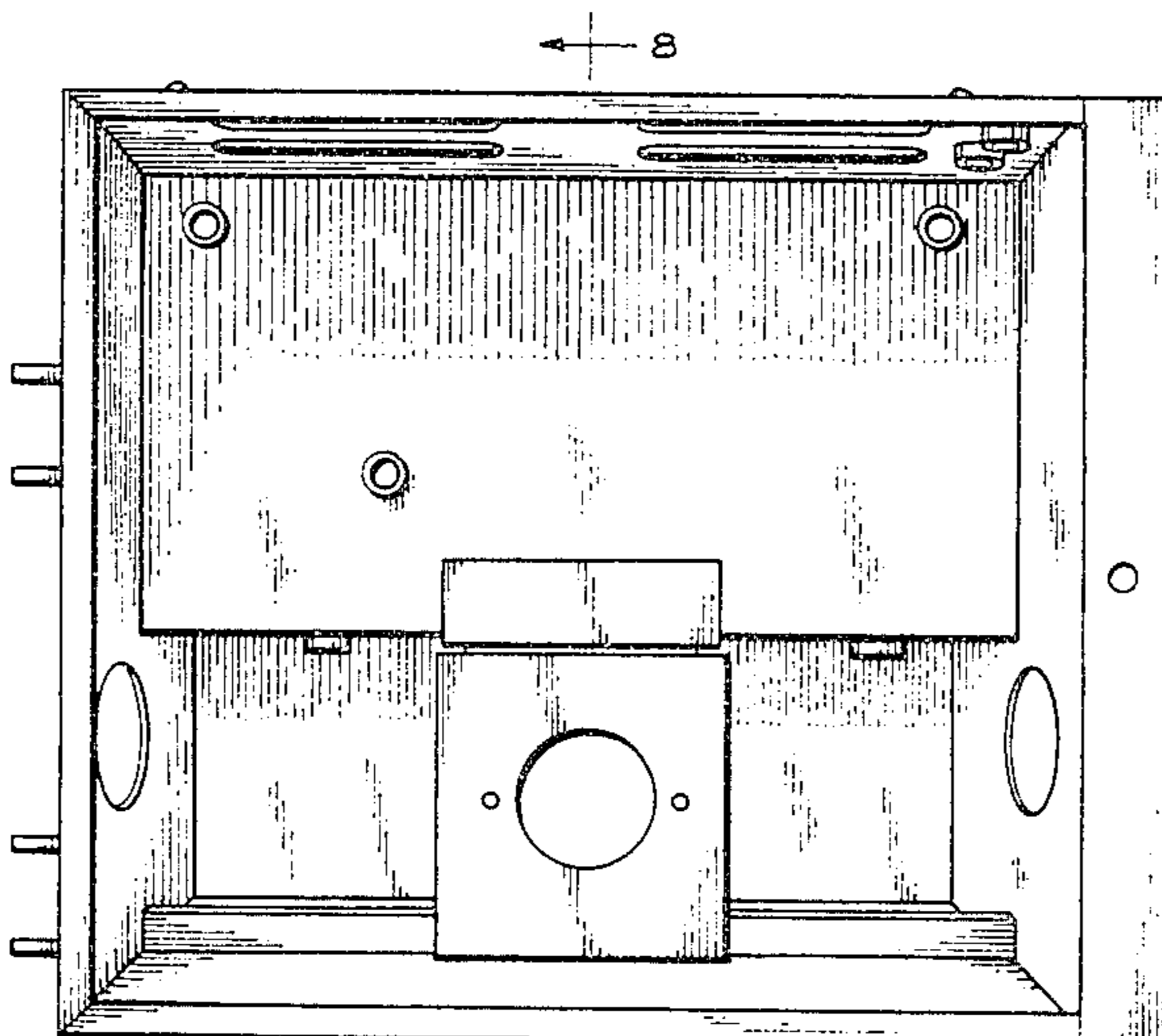
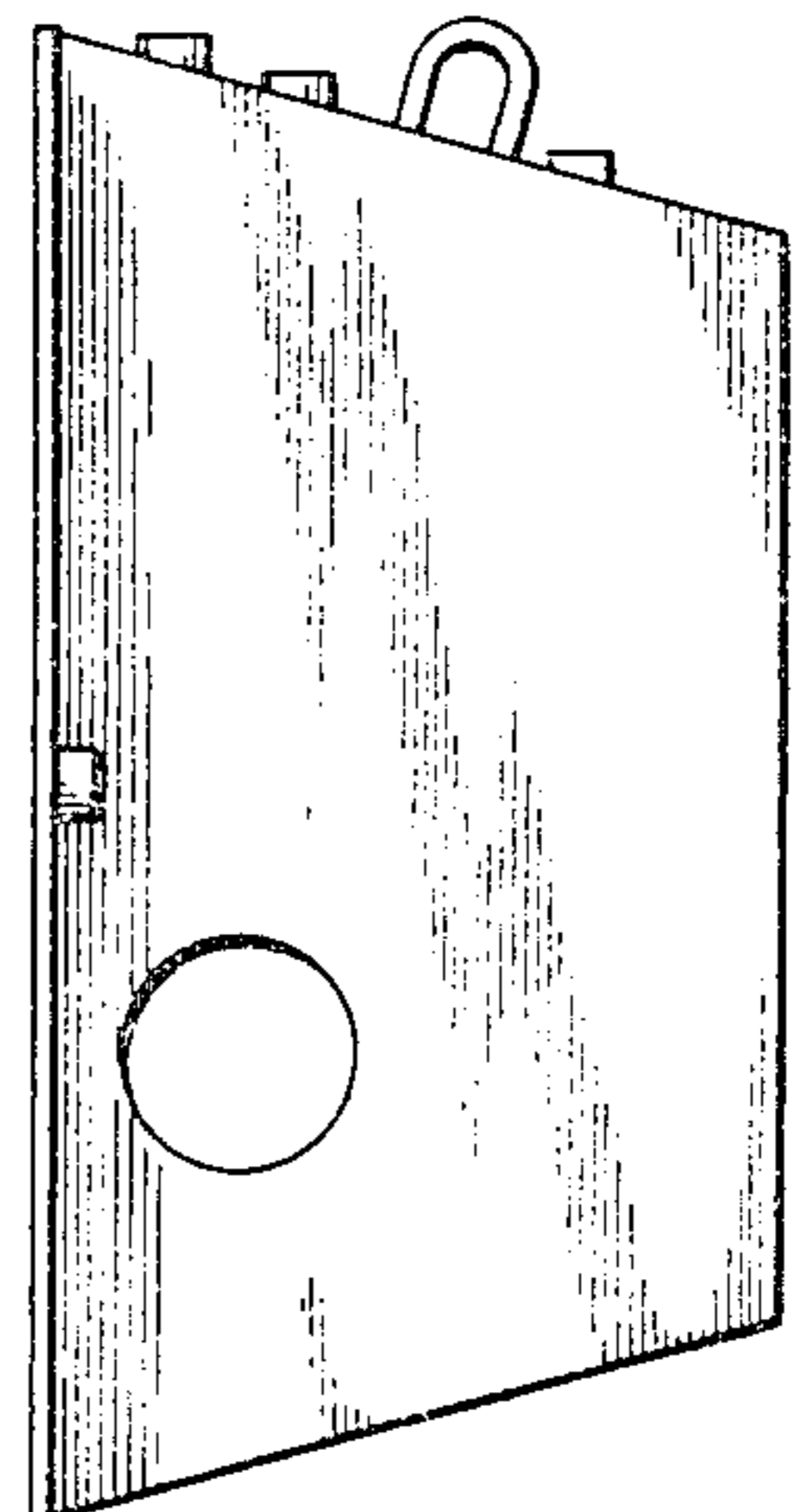


FIG. 3.

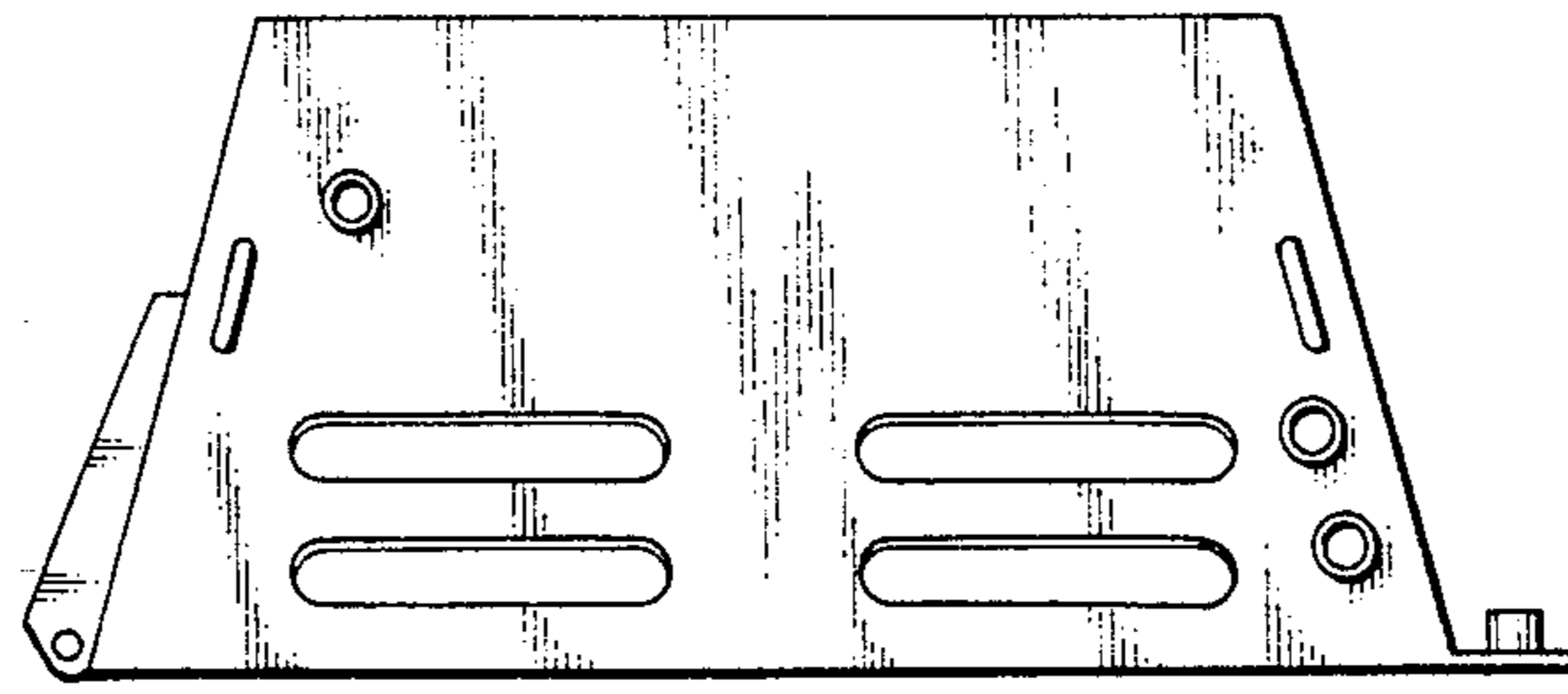


FIG. 5.

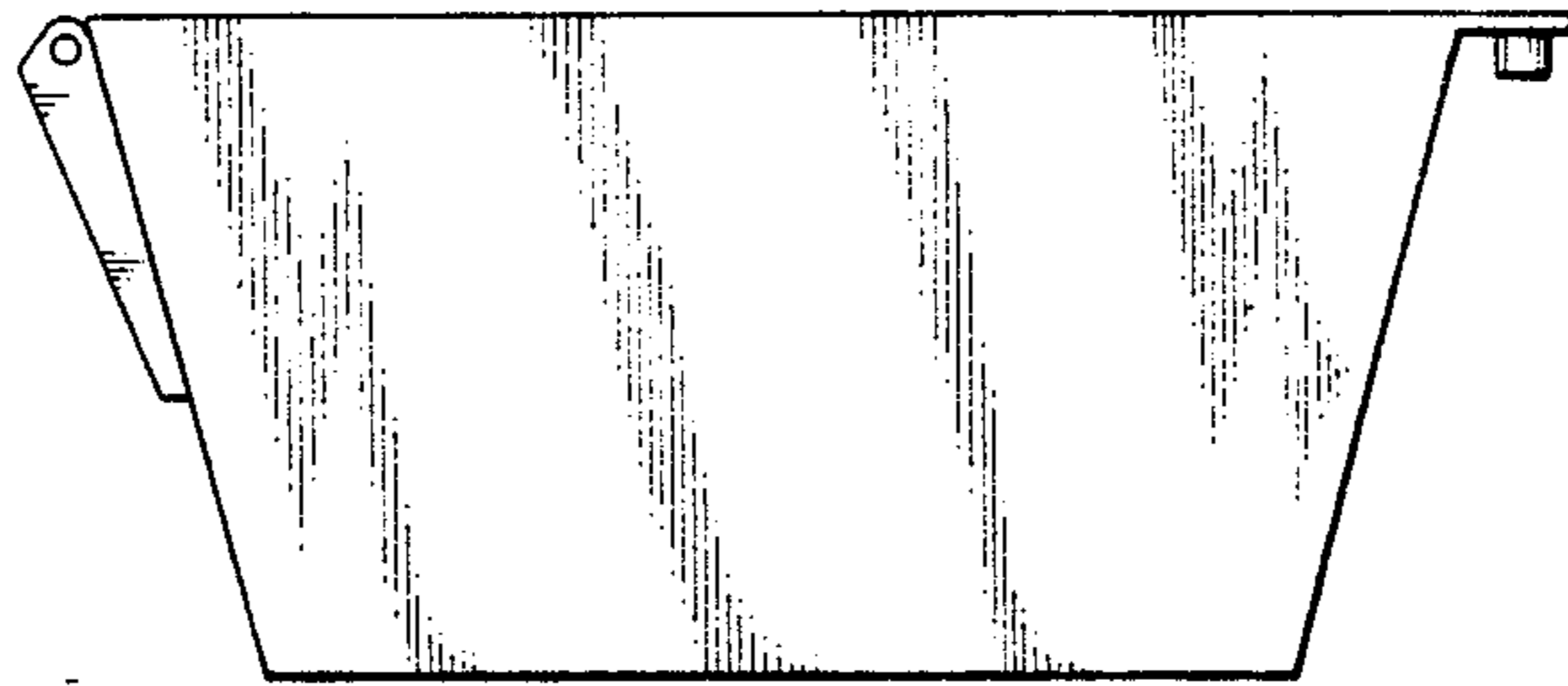


FIG. 6.

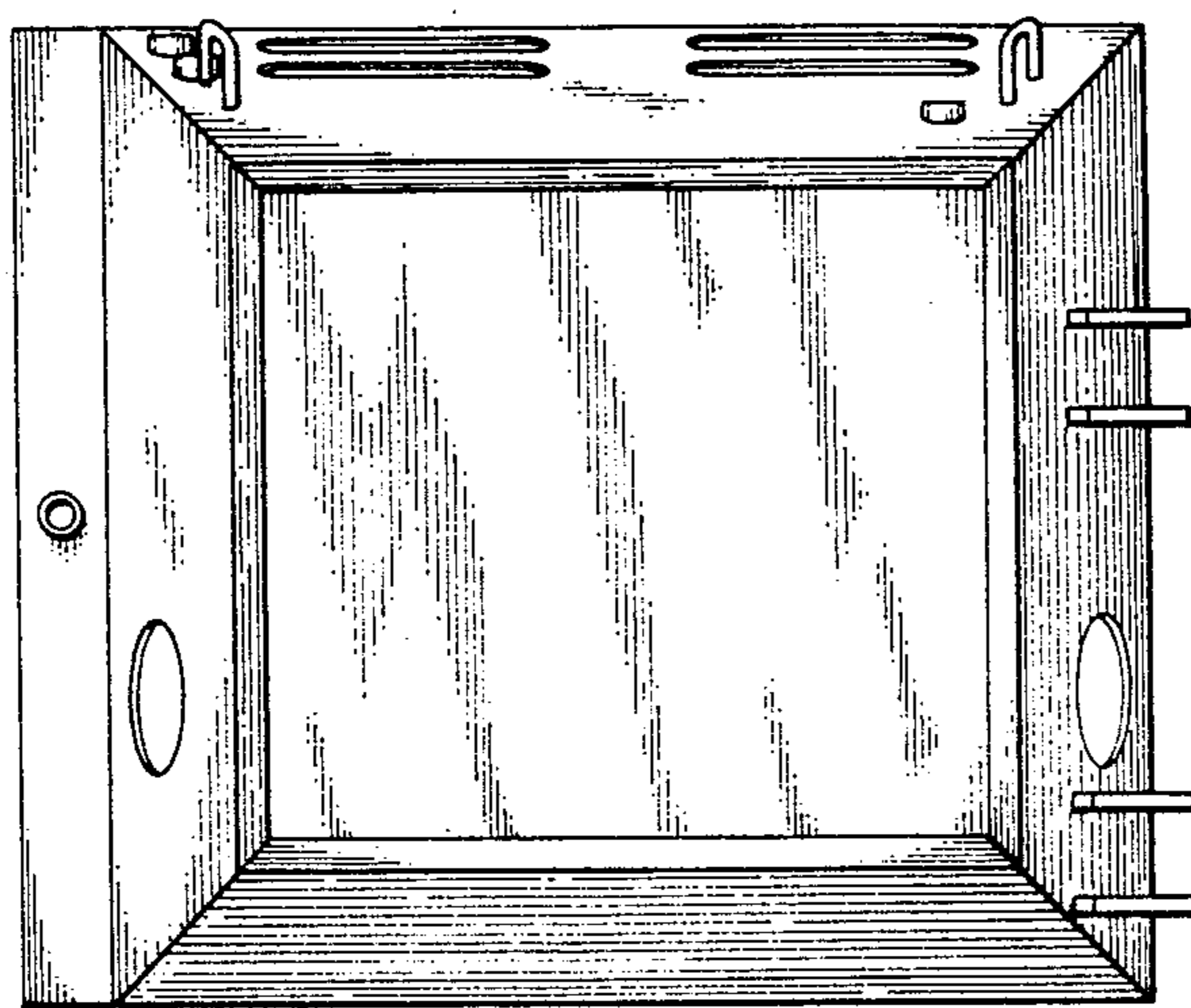


FIG. 7.

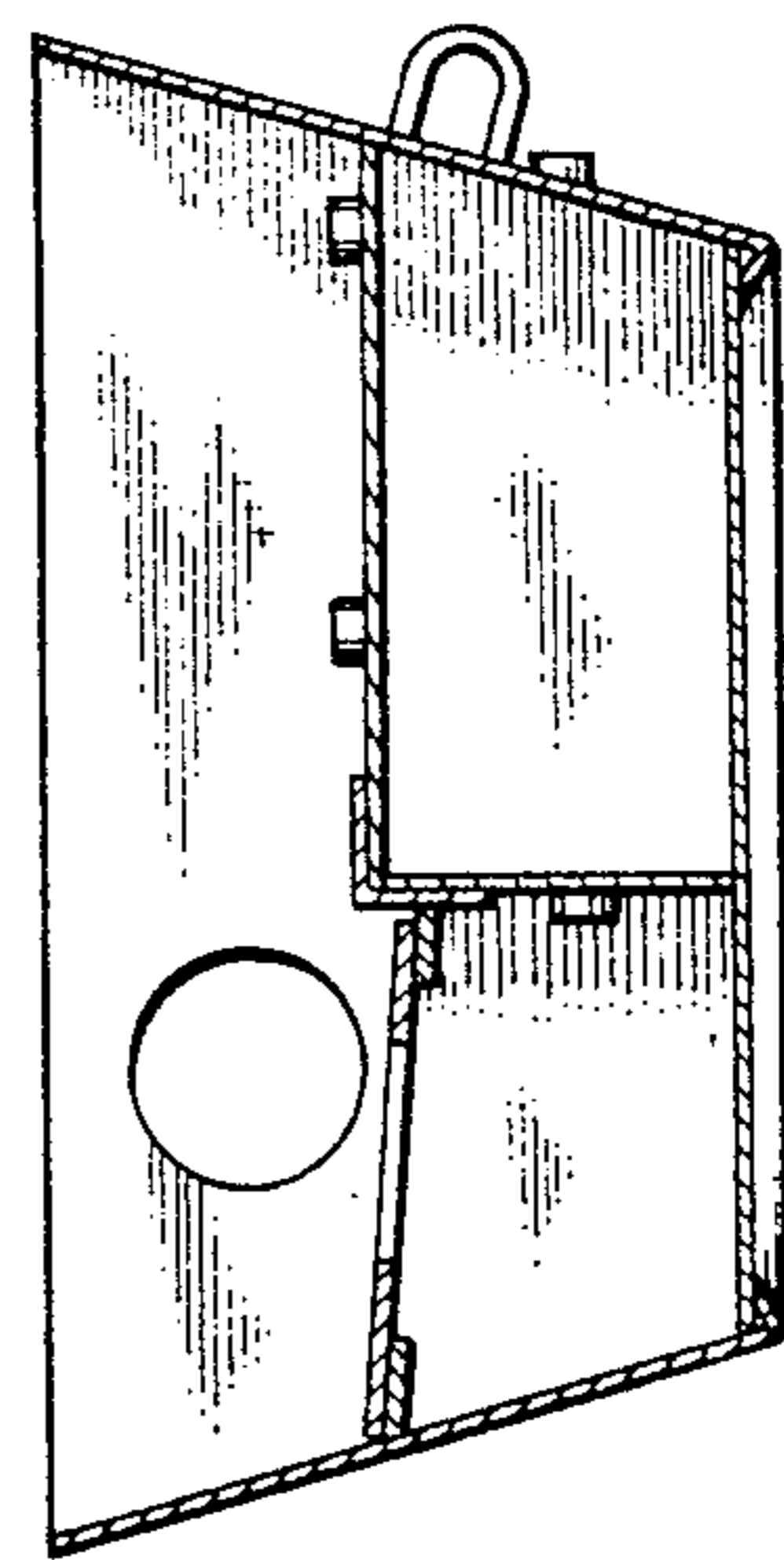


FIG. 8.