

[54] **KEYBOARD OR SIMILAR ARTICLE**

[75] **Inventor: Roy K. Fischer, Paradise Valley, Ariz.**
[73] **Assignee: International Telephone & Telegraph Corp., New York, N.Y.**
[**] **Term: 14 Years**
[21] **Appl. No.: 556,488**
[22] **Filed: Nov. 30, 1983**
[52] **U.S. Cl. D14/100**
[58] **Field of Search D14/100-117;
340/365 R, 706, 711; 235/145 R**

[56] **References Cited**

U.S. PATENT DOCUMENTS

D. 186,316 10/1959 Flanders D14/100
D. 202,554 10/1965 Meunier D14/100
D. 237,977 12/1975 Isaacs D14/100
D. 278,339 4/1985 Caven D14/100
D. 278,709 5/1985 Xanthopoulos D14/100

OTHER PUBLICATIONS

Computer Design, 4-1981, p. 54, Cybernex Limited Keyboard.

Computer Design, 4-1981, p. 179, Ontel Corp. Keyboard.

Primary Examiner—Susan J. Lucas

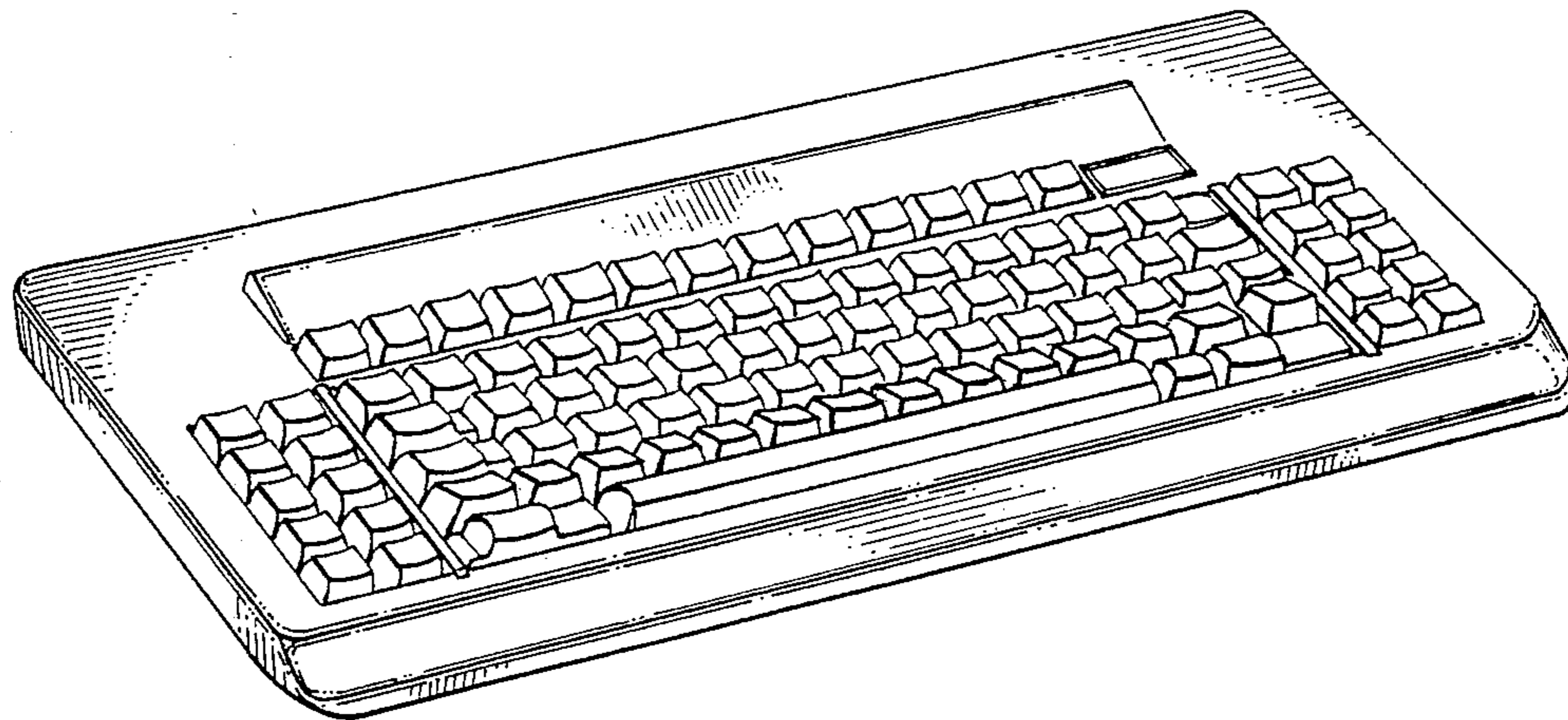
Attorney, Agent, or Firm—T. L. Peterson; J. M. May

[57] **CLAIM**

The ornamental design for a keyboard or similar article, substantially as shown and described.

DESCRIPTION

FIG. 1 is an isometric view of a keyboard or similar article showing my new design;
FIG. 2 is a side elevational view thereof on a greatly enlarged scale as seen from the left;
FIG. 3 is a side elevational view thereof on a greatly enlarged scale as seen from the right;
FIG. 4 is a rear elevational view thereof on a greatly enlarged scale;
FIG. 5 is a top plan view thereof on an enlarged scale;
FIG. 6 is a front elevational view thereof on an enlarged scale;
FIG. 7 is a bottom plan view thereof on an enlarged scale;
FIG. 8 is an isometric view thereof as seen from below showing its rear, left and bottom surfaces, but with the adjustable feet at its rear in their more extended position;
FIG. 9 is a side elevational view thereof, on an greatly enlarged scale, with the feet in an extended position;
FIG. 10 is an isometric view of a second embodiment of my new design;
FIG. 11 is a side elevational view thereof as seen from the left, on a reduced scale;
FIG. 12 is a side elevational view thereof as seen from the right, on a reduced scale;
FIG. 13 is a front elevational view thereof on a reduced scale;
FIG. 14 is a rear elevational view thereof on a reduced scale;
FIG. 15 is a top plan view thereof on a reduced scale;
FIG. 17 is a bottom perspective view thereof on a reduced scale; with the feet in an extended position; and
FIG. 18 is a side elevational view thereof with the feet in an extended position.



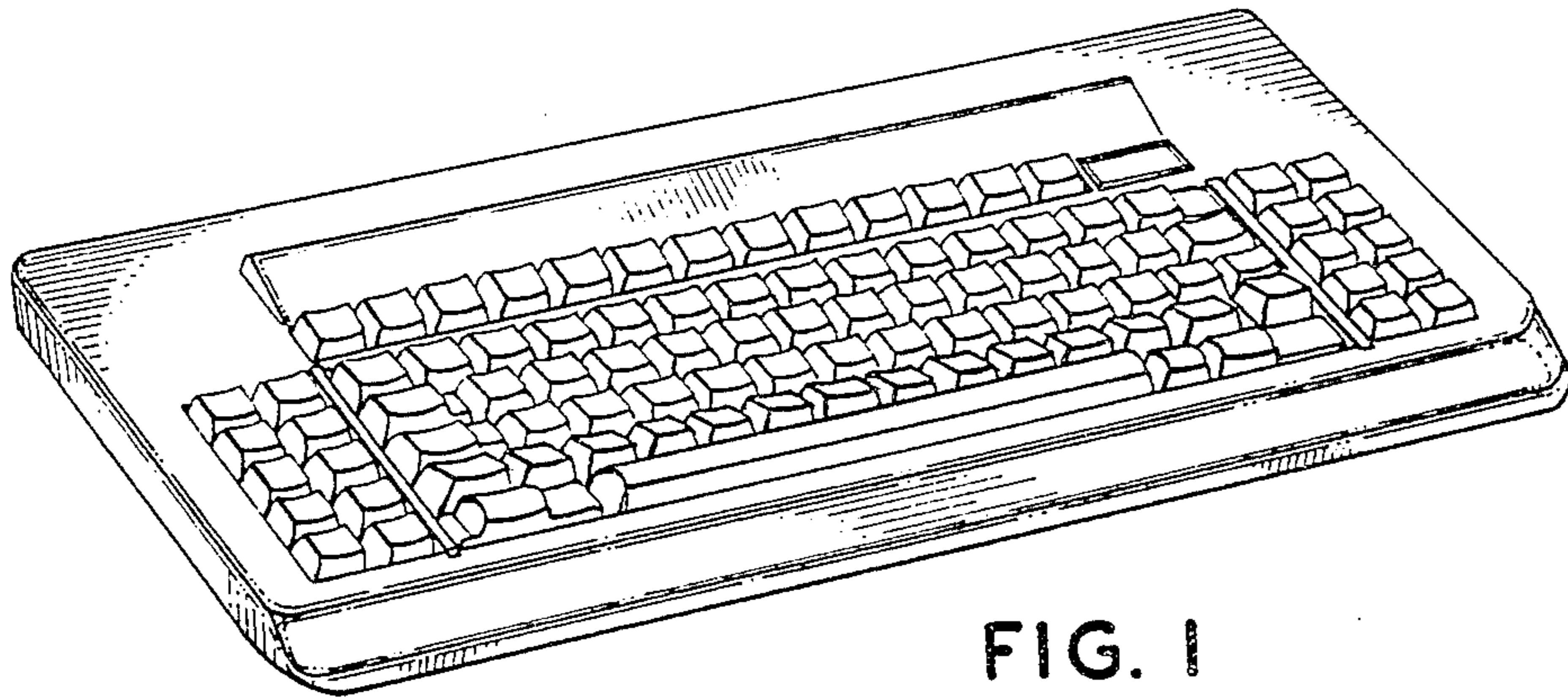


FIG. 1

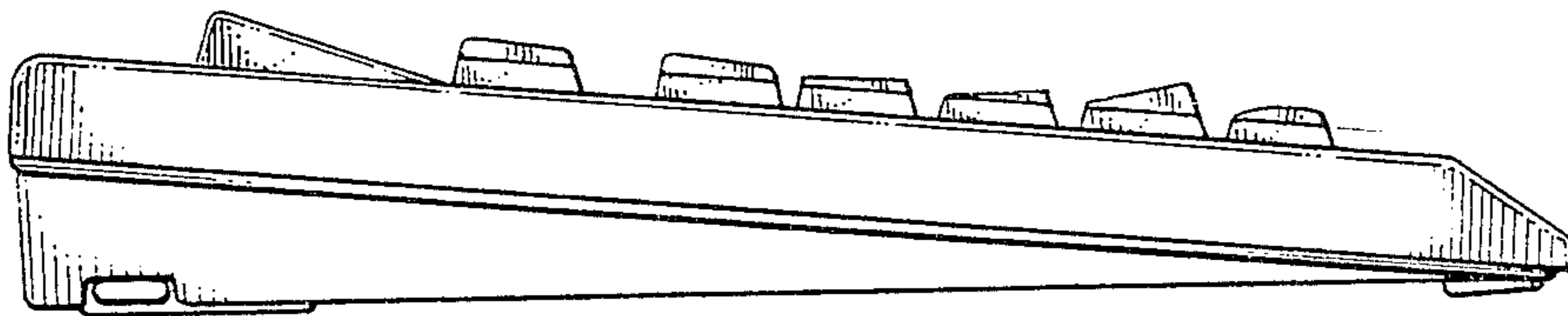


FIG. 2

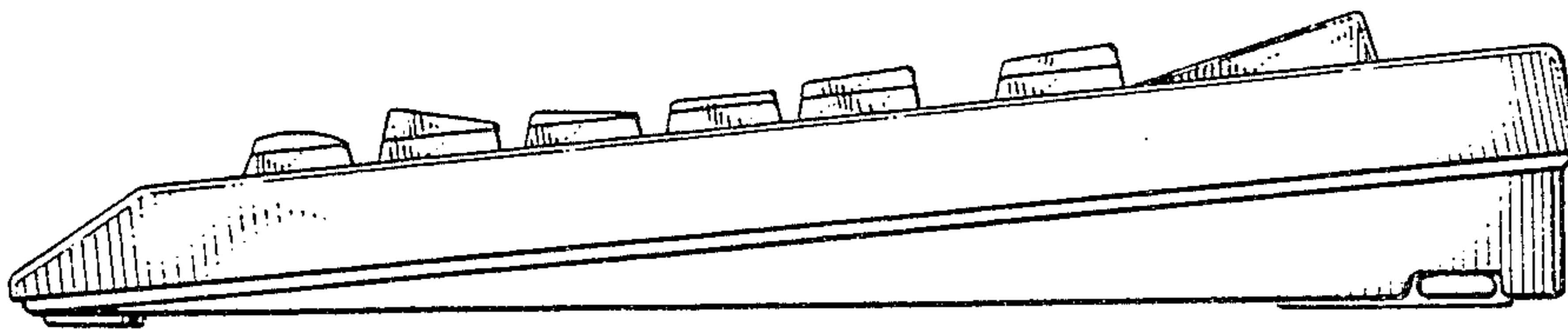


FIG. 3

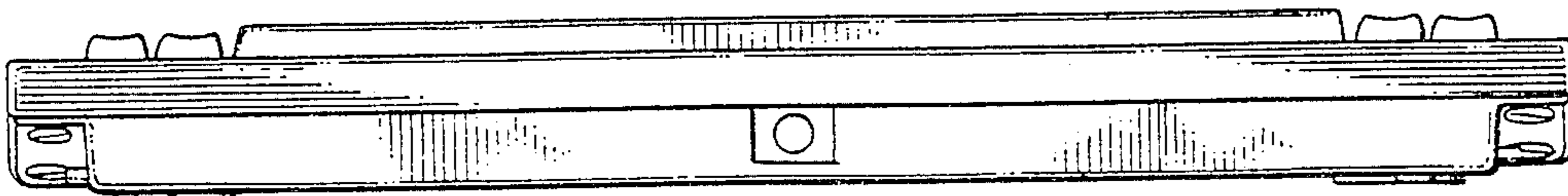


FIG. 4

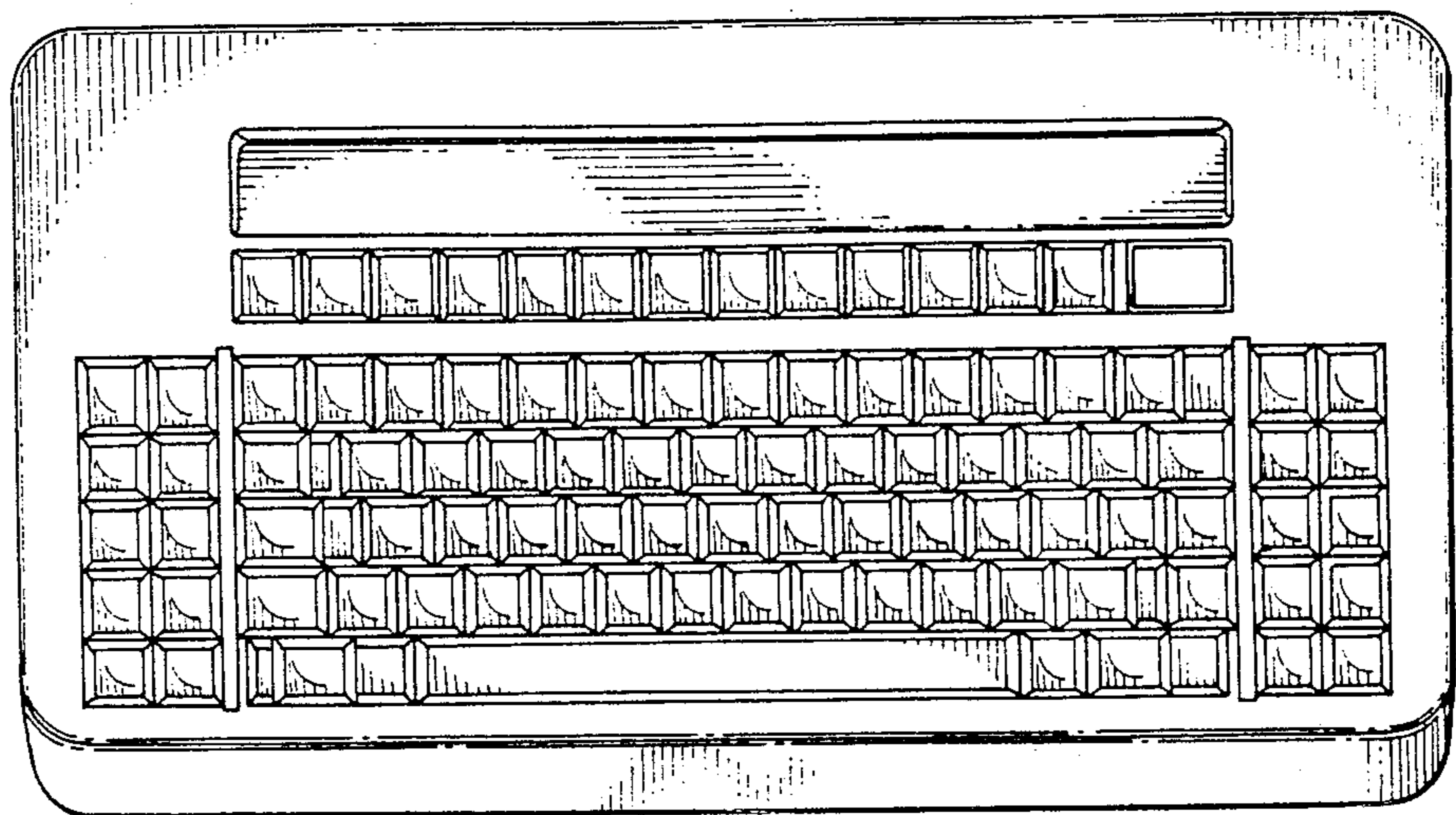


FIG. 5

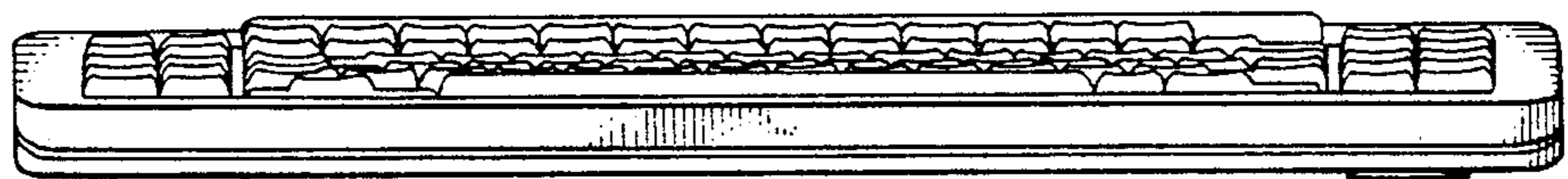


FIG. 6

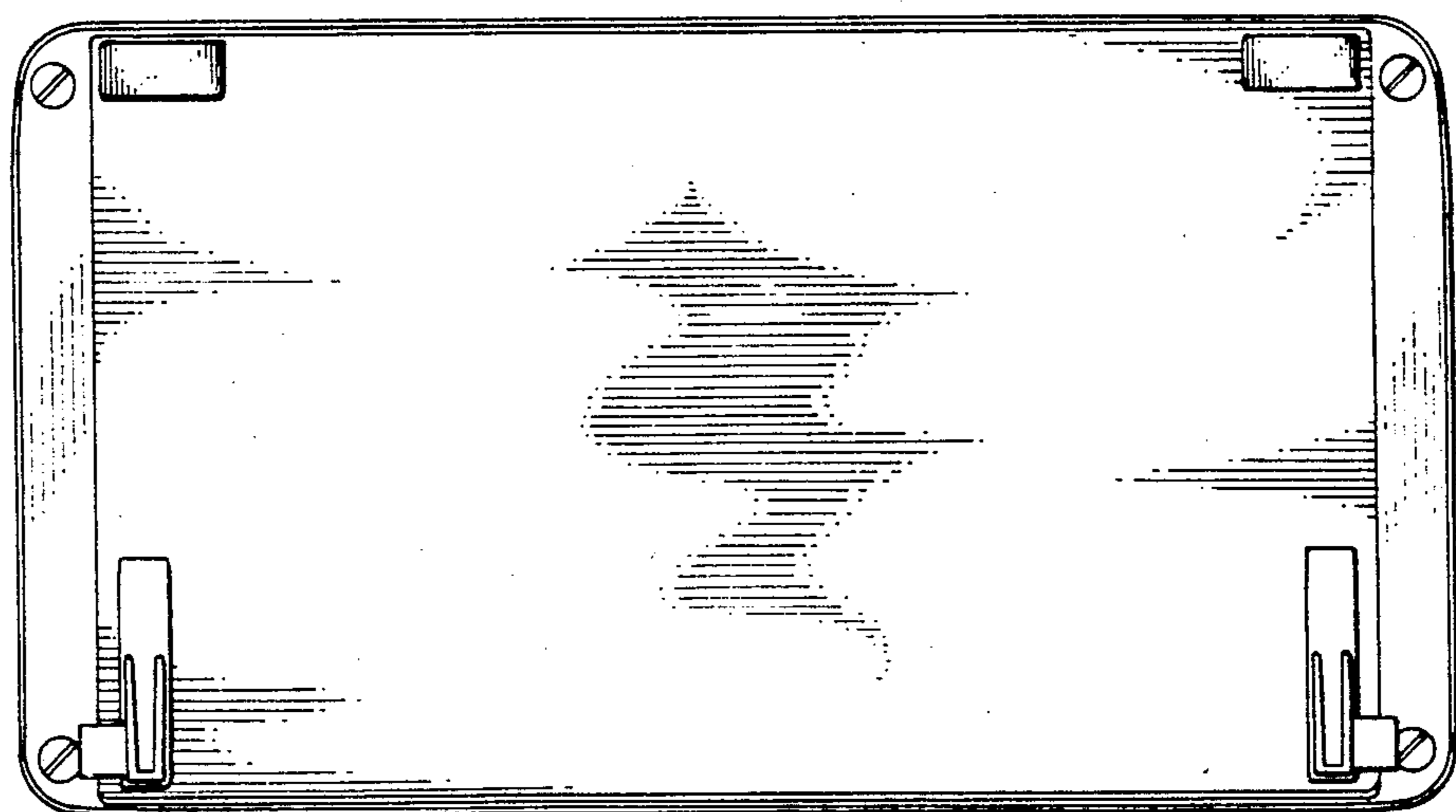


FIG. 7

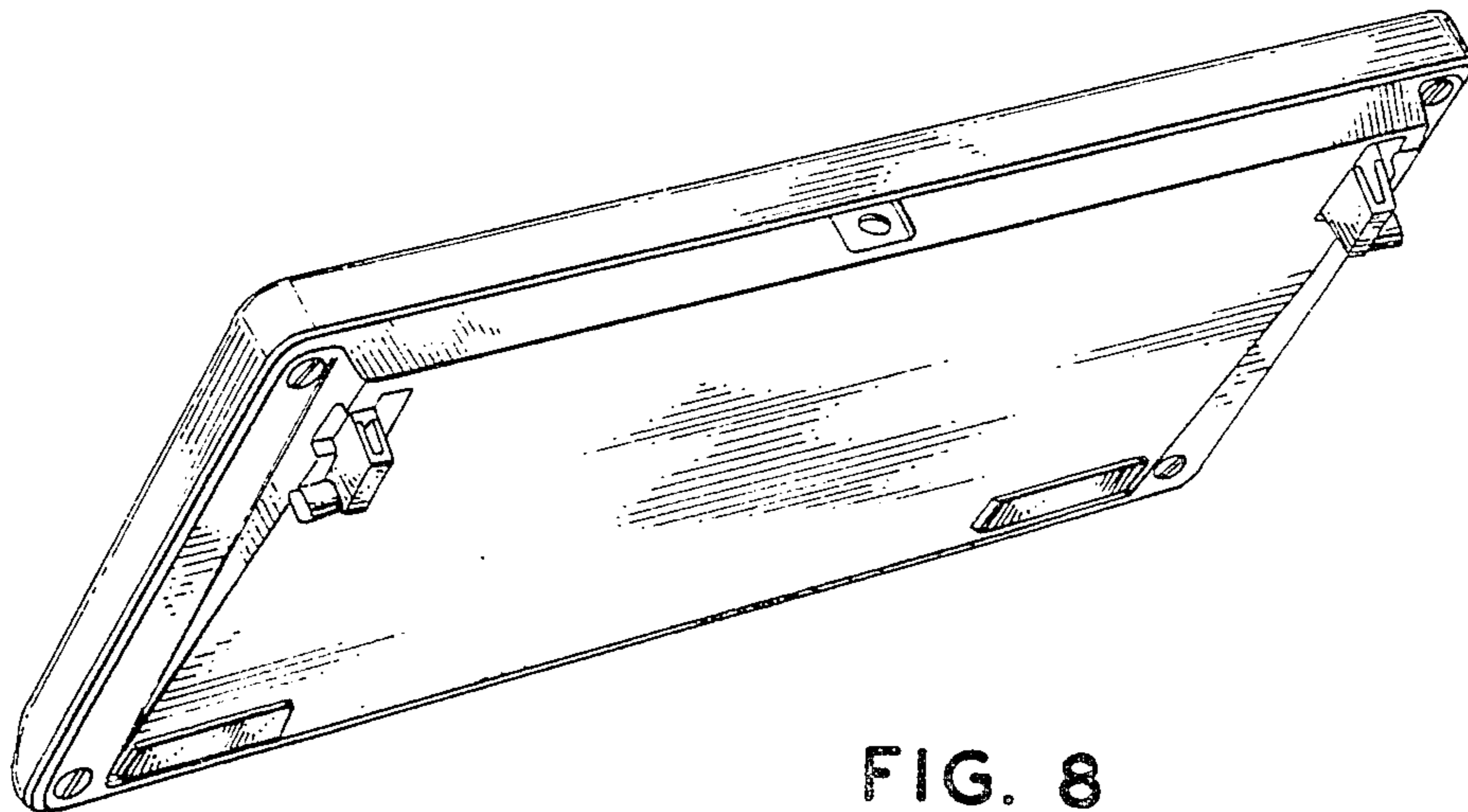


FIG. 8

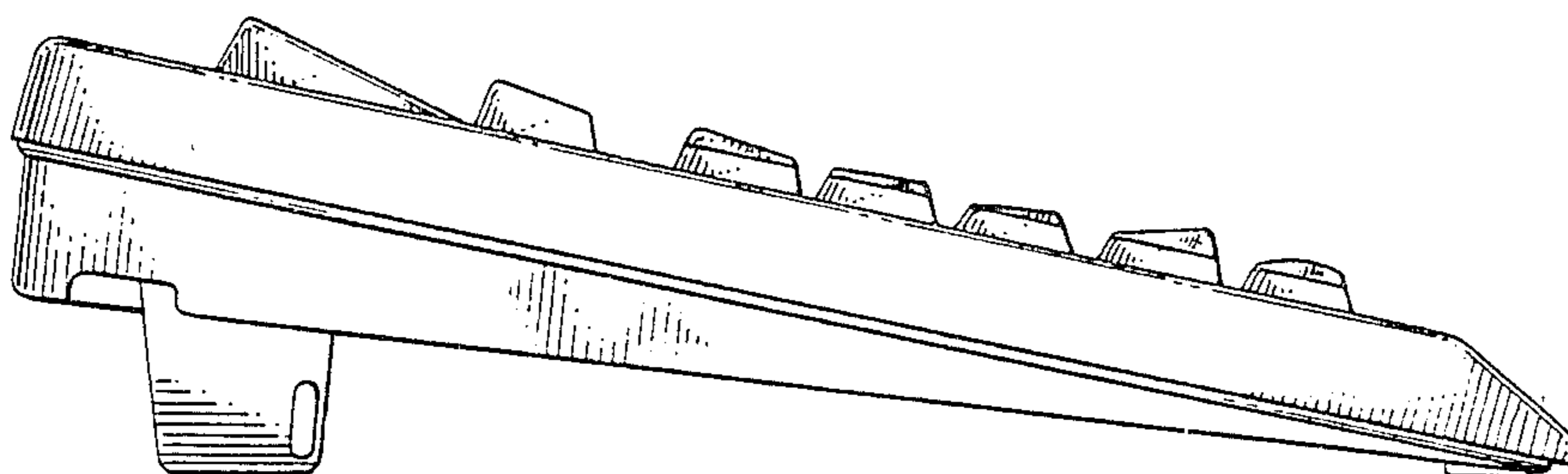


FIG. 9

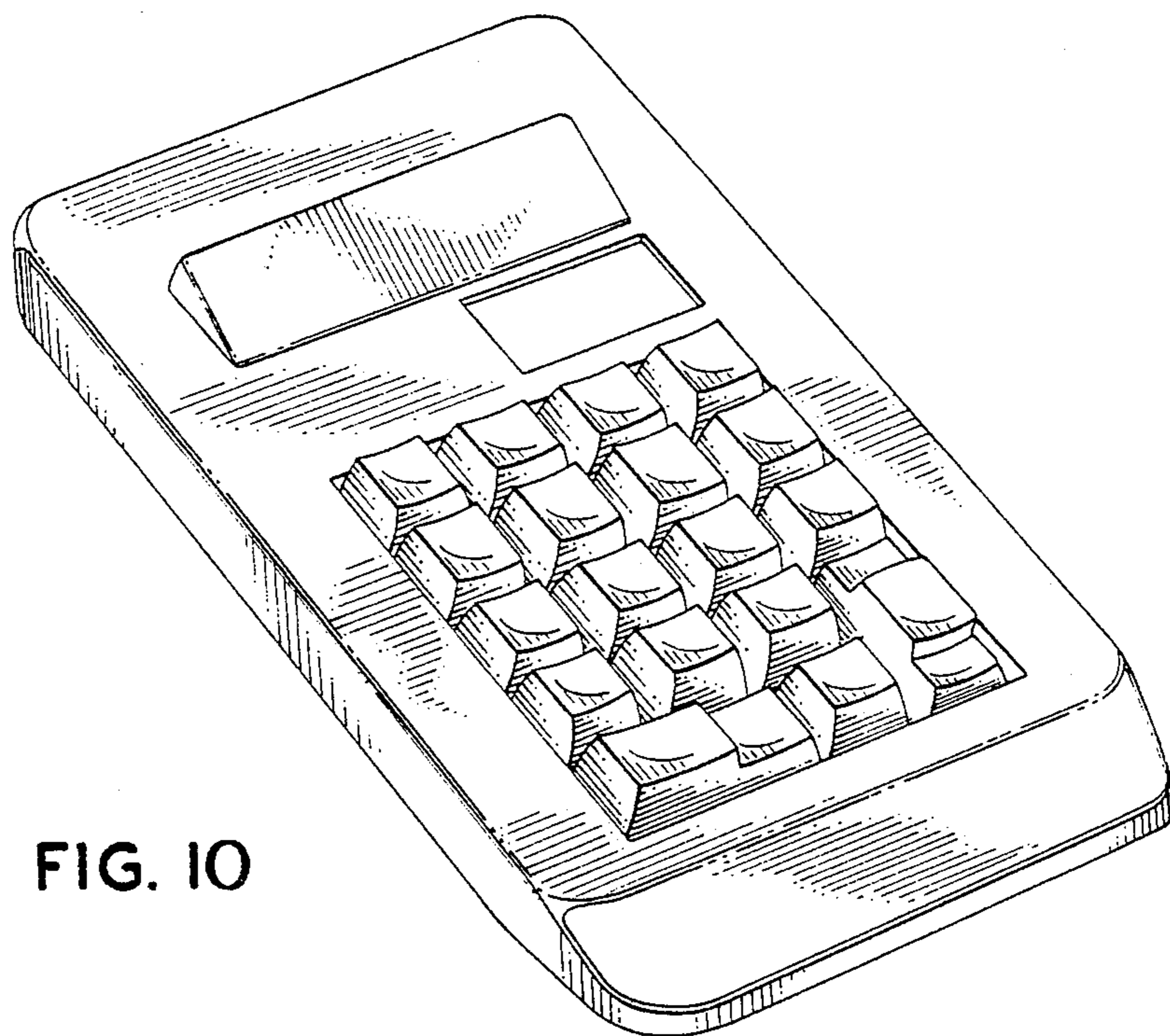


FIG. 10

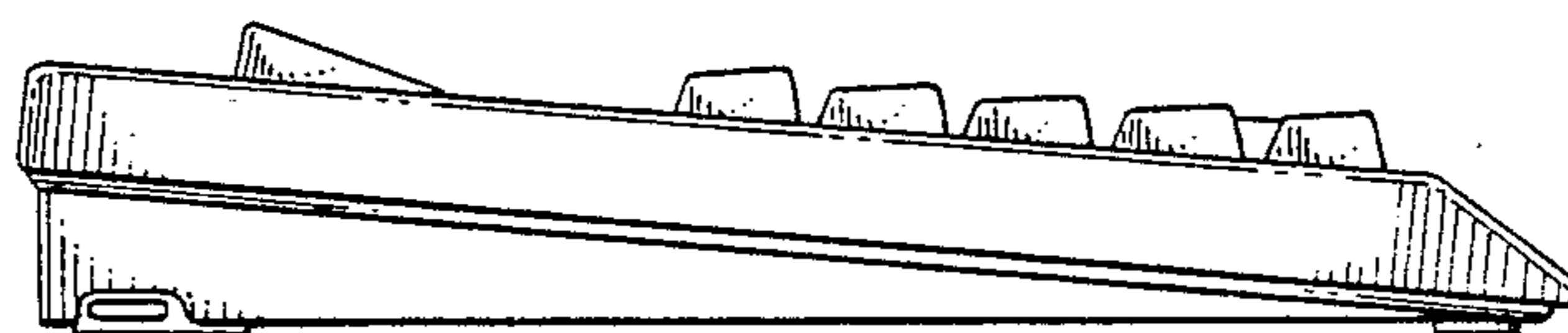


FIG. 11

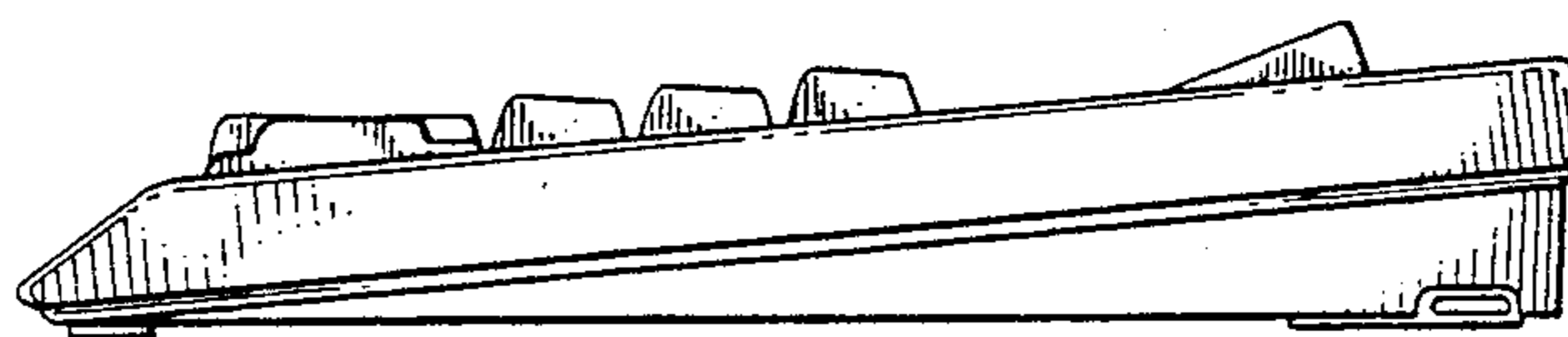


FIG. 12

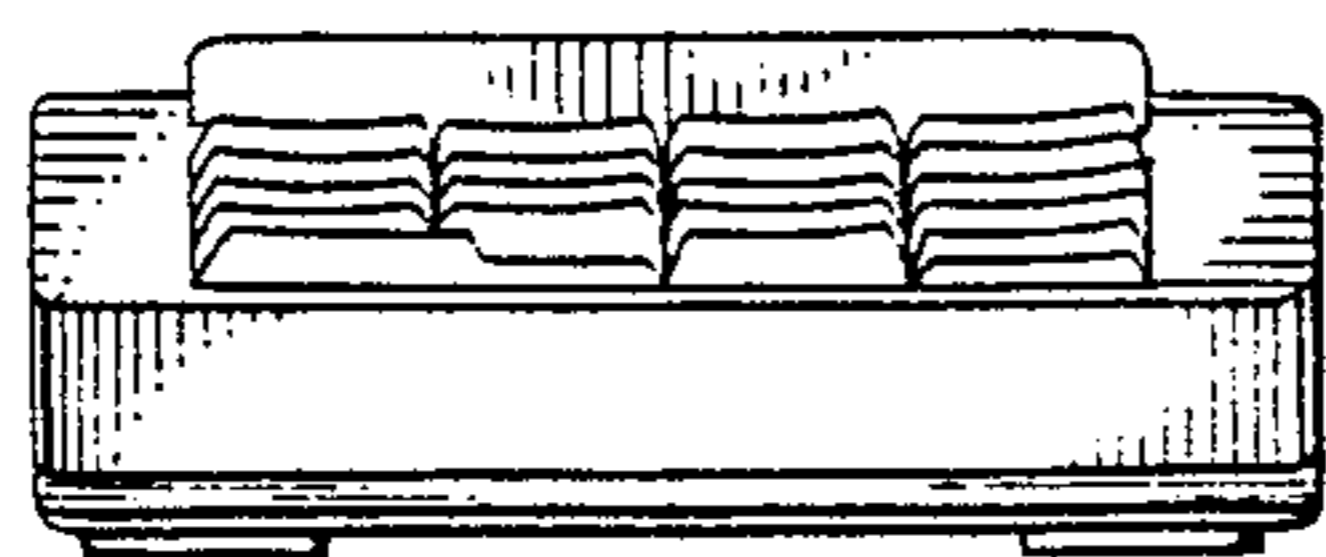


FIG. 13

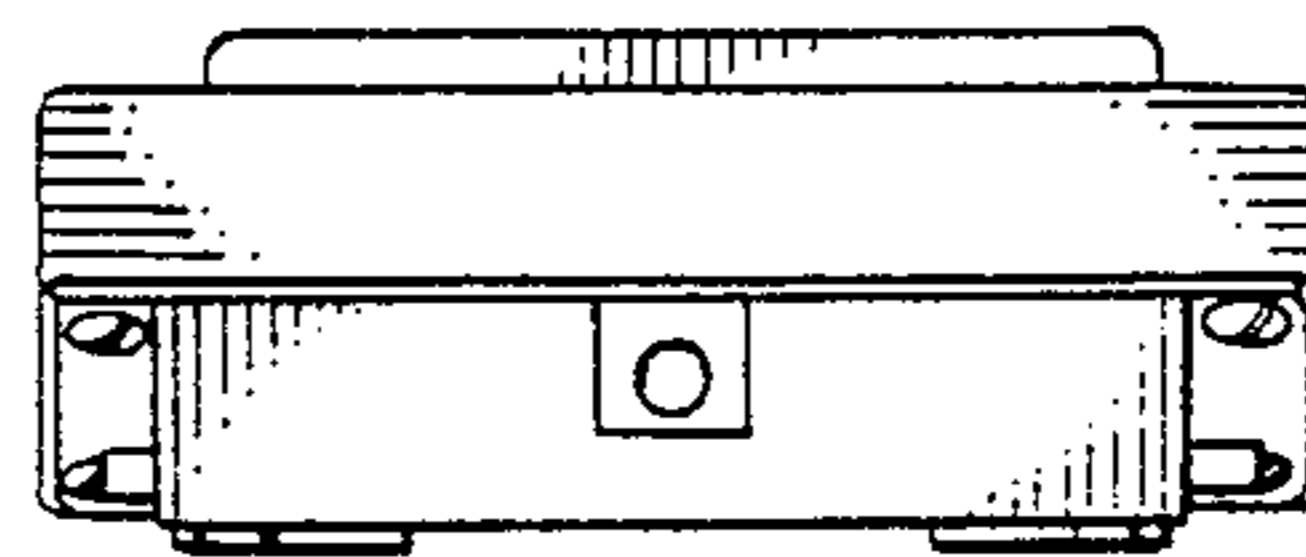


FIG. 14

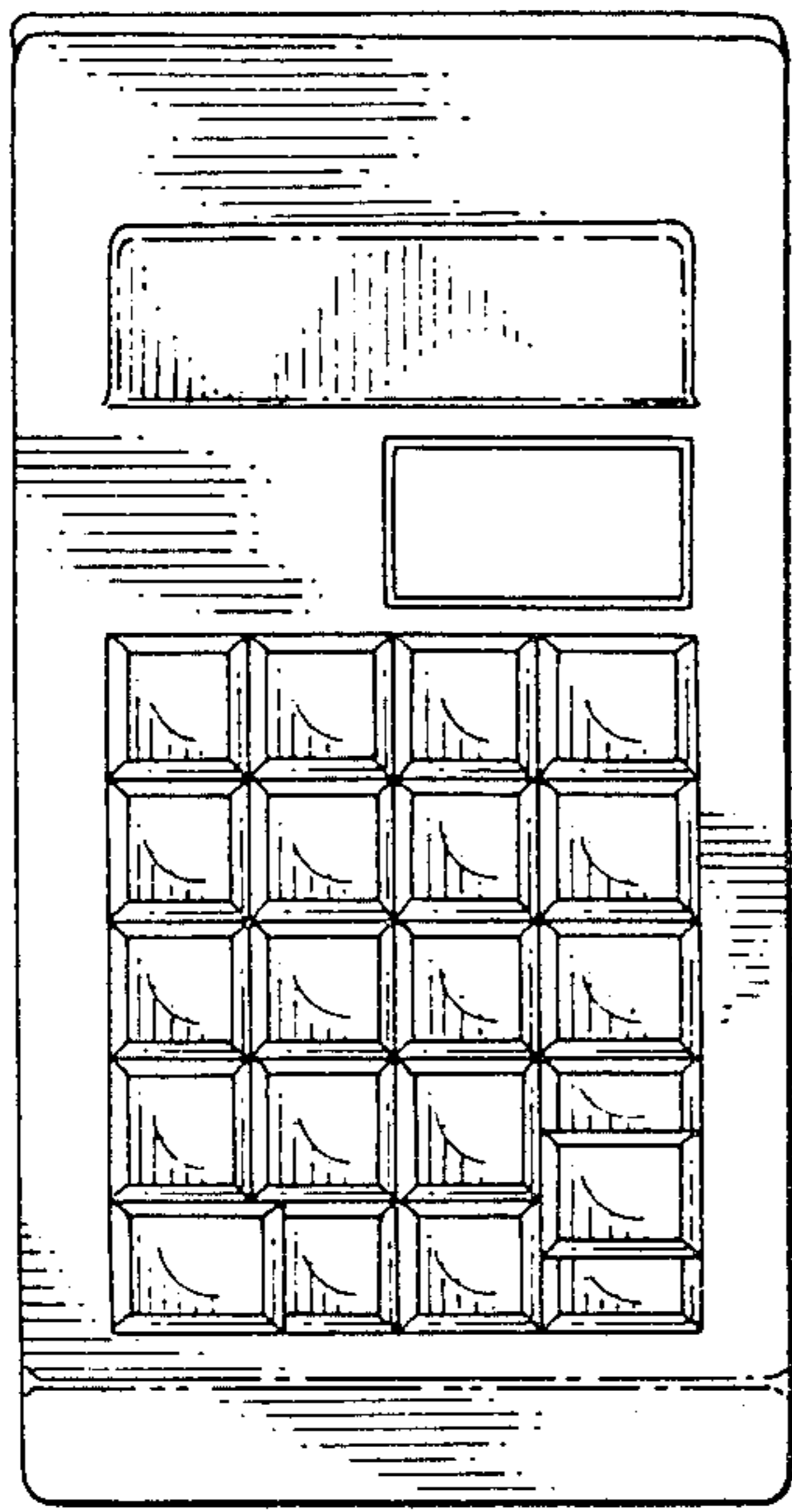


FIG. 15

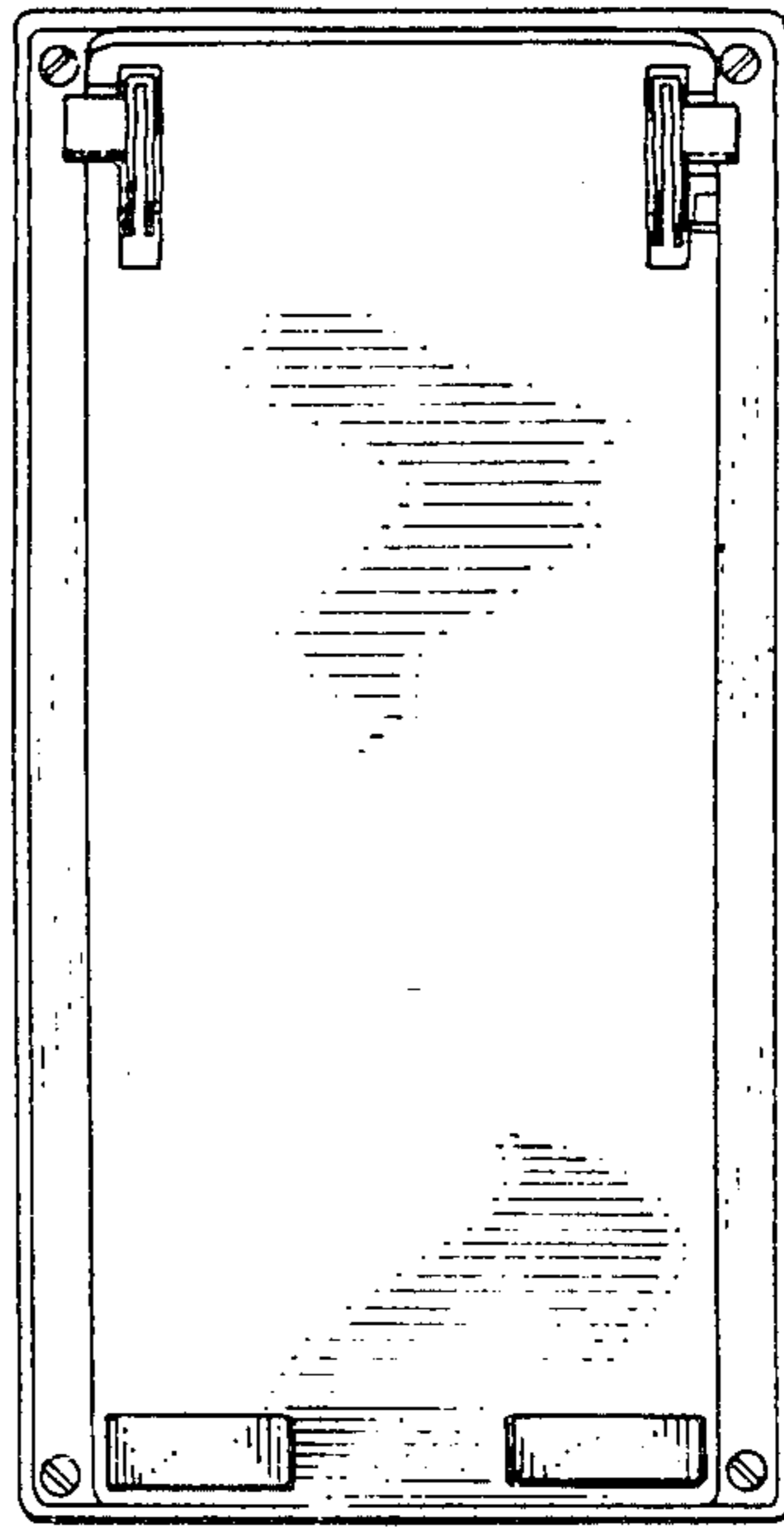


FIG. 16

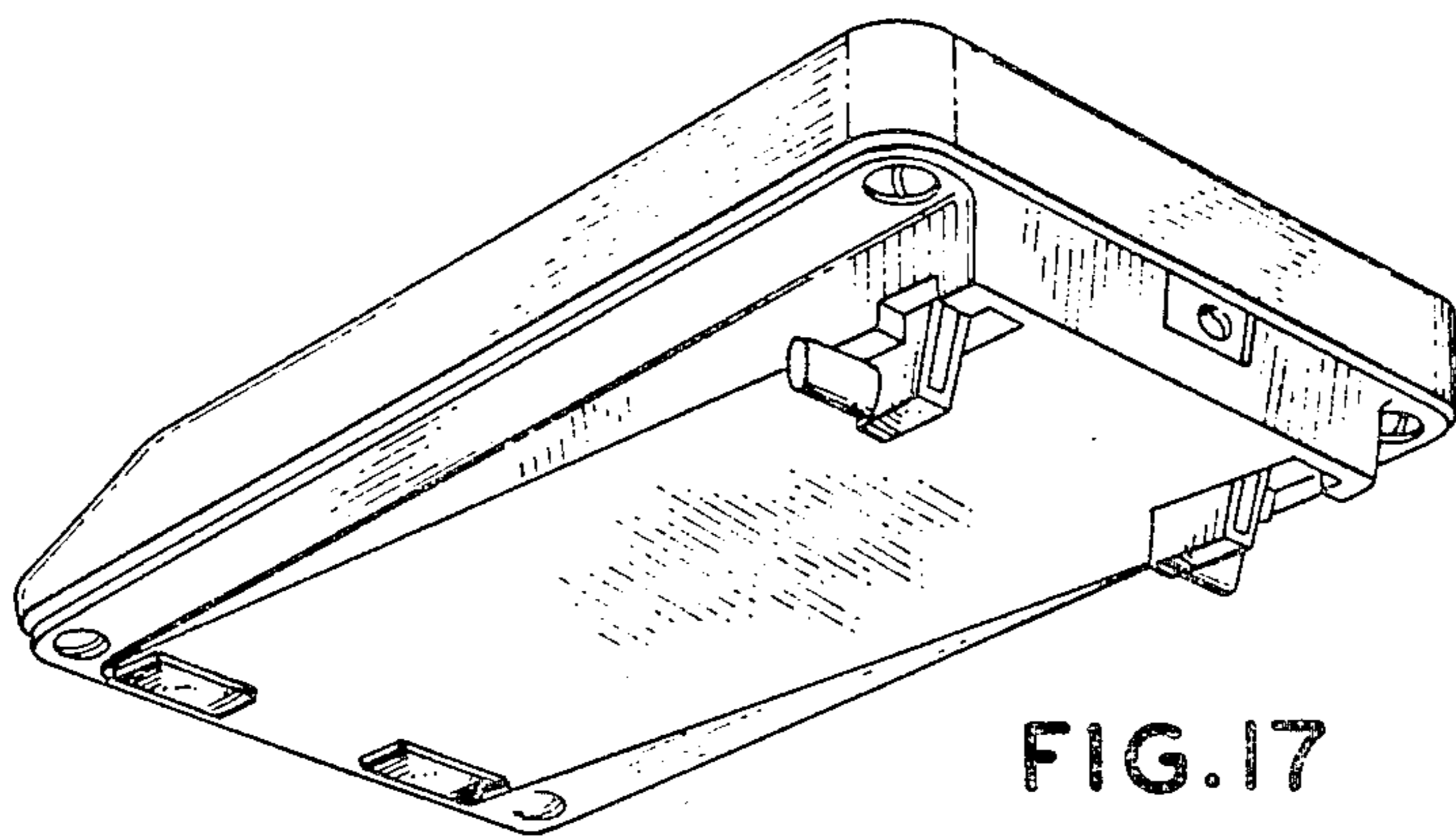


FIG. 17

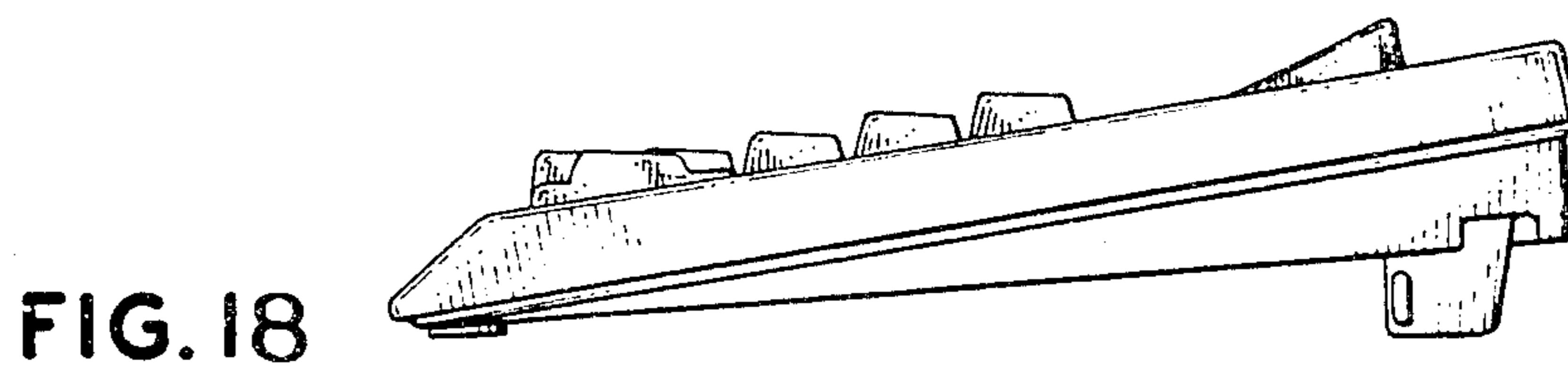


FIG. 18