

[54] TELEPHONE BASE

3,895,120 7/1975 Backus D1/199

[75] Inventor: Gerald W. Anz, San Antonio, Tex.

OTHER PUBLICATIONS

[73] Assignee: Talkin' Turkey Telephone Company, San Antonio, Tex.

Vogue Mag.; April 1975 at p. 130: Showing of Chicken Thigh.

[**] Term: 14 Years

Primary Examiner—Wallace R. Burke

Assistant Examiner—Horace B. Fay

[21] Appl. No.: 596,313

Attorney, Agent, or Firm—Gunn, Lee & Jackson

[22] Filed: Apr. 3, 1984

[57] CLAIM

[52] U.S. Cl. D14/53; D21/111; D1/199

The ornamental design for a telephone base, as shown and described.

[58] Field of Search D14/53, 59, 60, 69, D14/62; D7/25, 80, 44; D9/317, 205, 441; D21/160, 161, 111; D1/199

DESCRIPTION

[56] References Cited

U.S. PATENT DOCUMENTS

D. 155,366	9/1949	Rapp	D7/80
D. 186,632	11/1959	Tackett	D7/80
D. 186,929	12/1959	Levine	D1/107
D. 194,714	2/1963	Paganelli et al.	D9/317
D. 236,522	8/1975	Cornpanall	D21/160
D. 251,413	3/1979	Lewis	D9/37
D. 271,300	11/1983	Mak	D21/111
D. 272,579	2/1984	Snyder	D9/317
D. 272,896	3/1984	Kobashigawa	D7/80
D. 276,337	11/1984	Brennan	D14/53
2,842,443	7/1958	Rice et al.	D1/199
3,260,239	7/1966	Sanders	D7/44

FIG. 1 is a top plan view of a telephone base showing my new design;

FIG. 2 is a left side elevation view;

FIG. 3 is a front elevation view;

FIG. 4 is a right side elevation view;

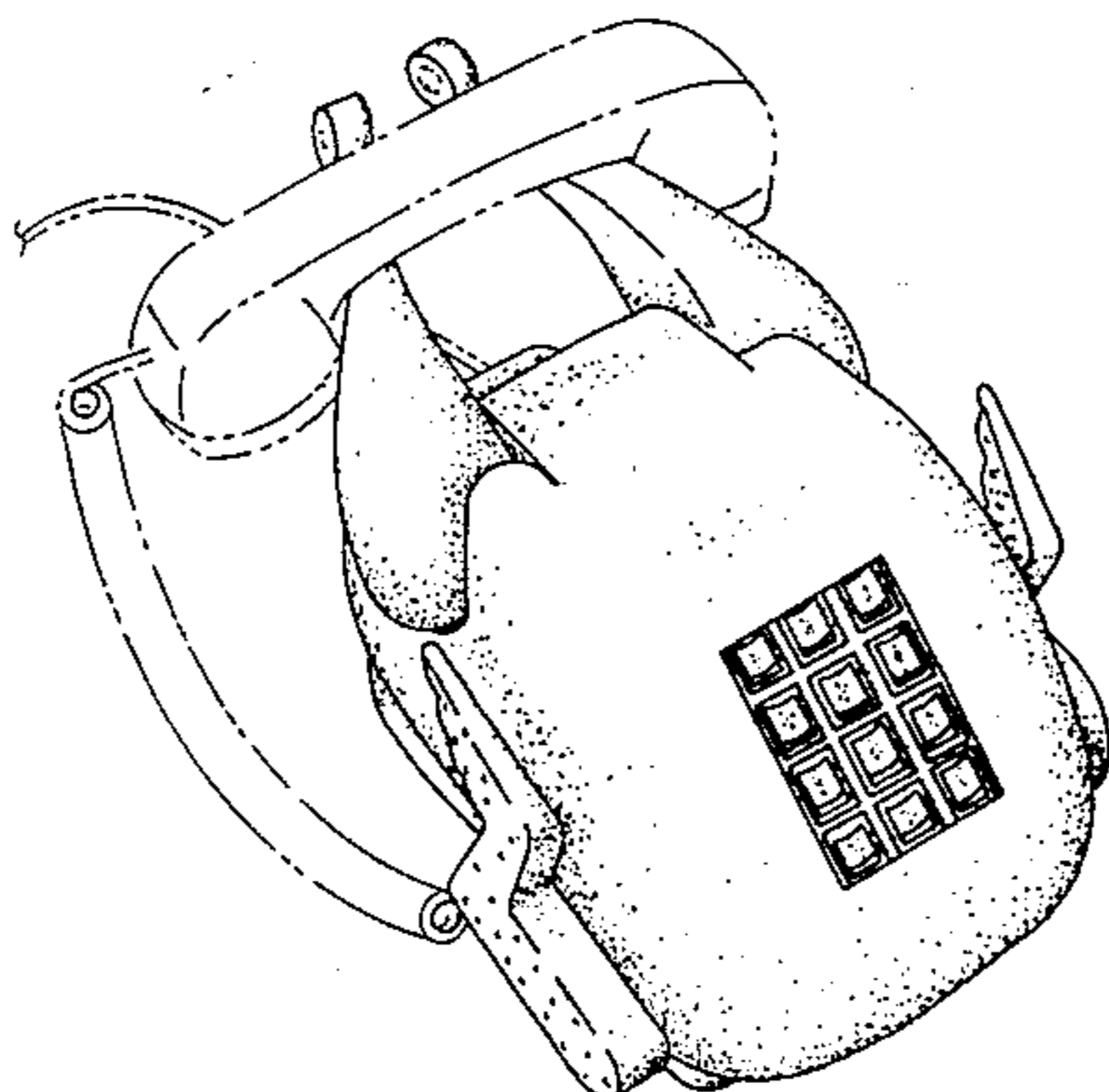
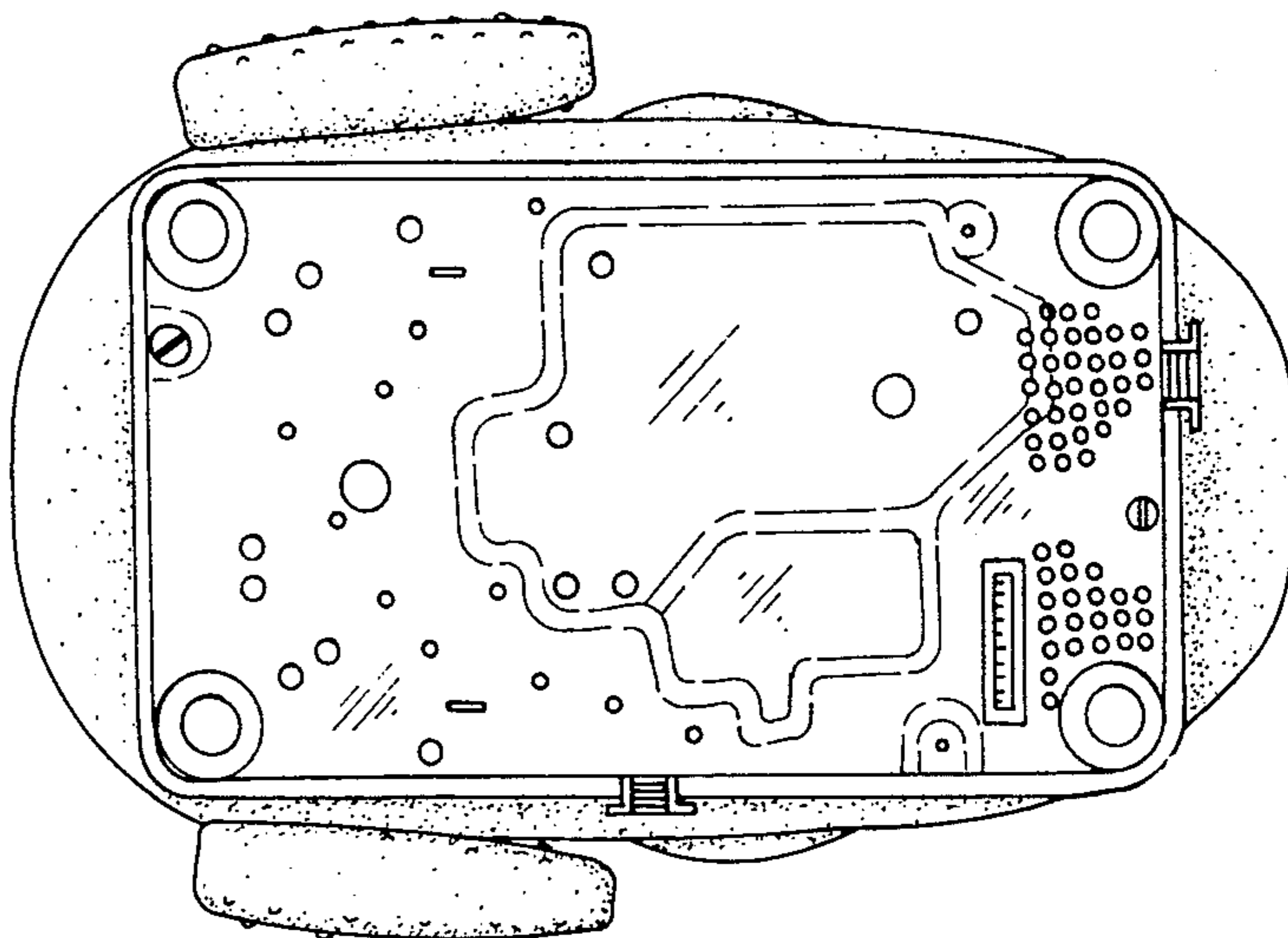
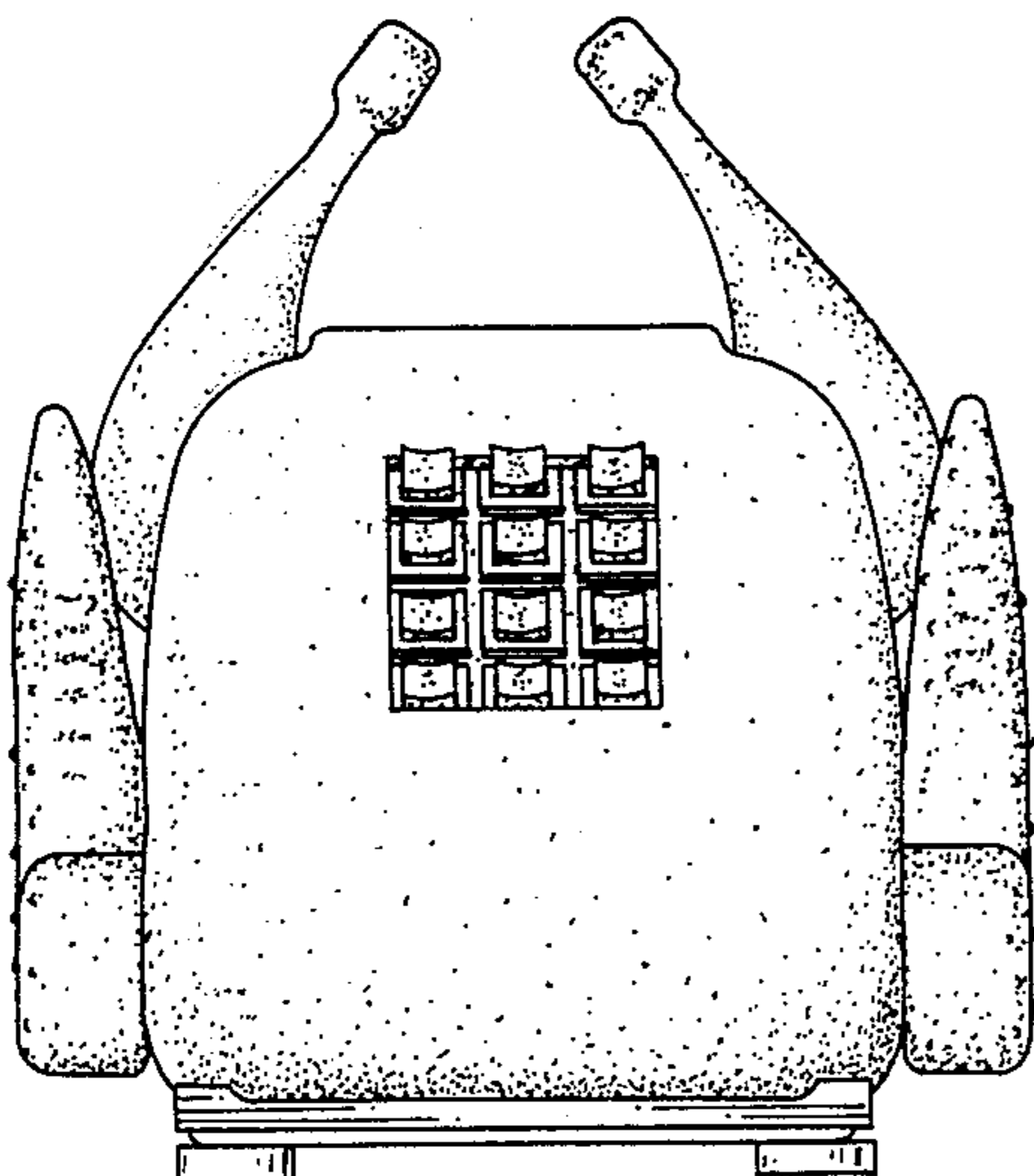
FIG. 5 is a front elevation view;

FIG. 6 is a bottom plan view;

FIG. 7 is a perspective view from above showing, in broken lines for environmental purposes only, a handset and cord in operative relationship therewith; and

FIG. 8 is a perspective view from above showing, in broken lines for associational purposes only, a handset and cord spaced apart from the stand.

The broken line showing in FIGS. 7 and 8 forms no part of the claimed design.



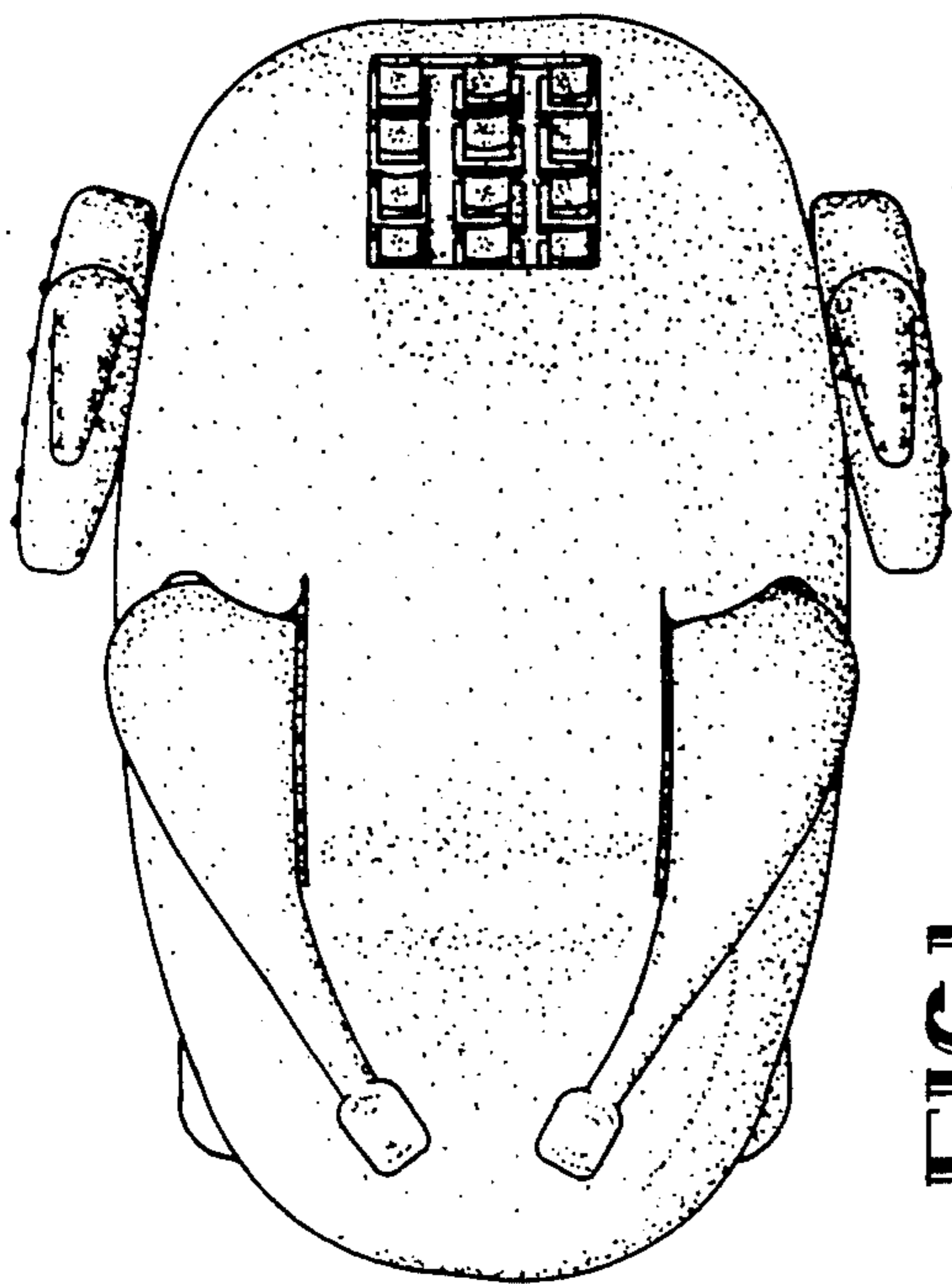


FIG 1

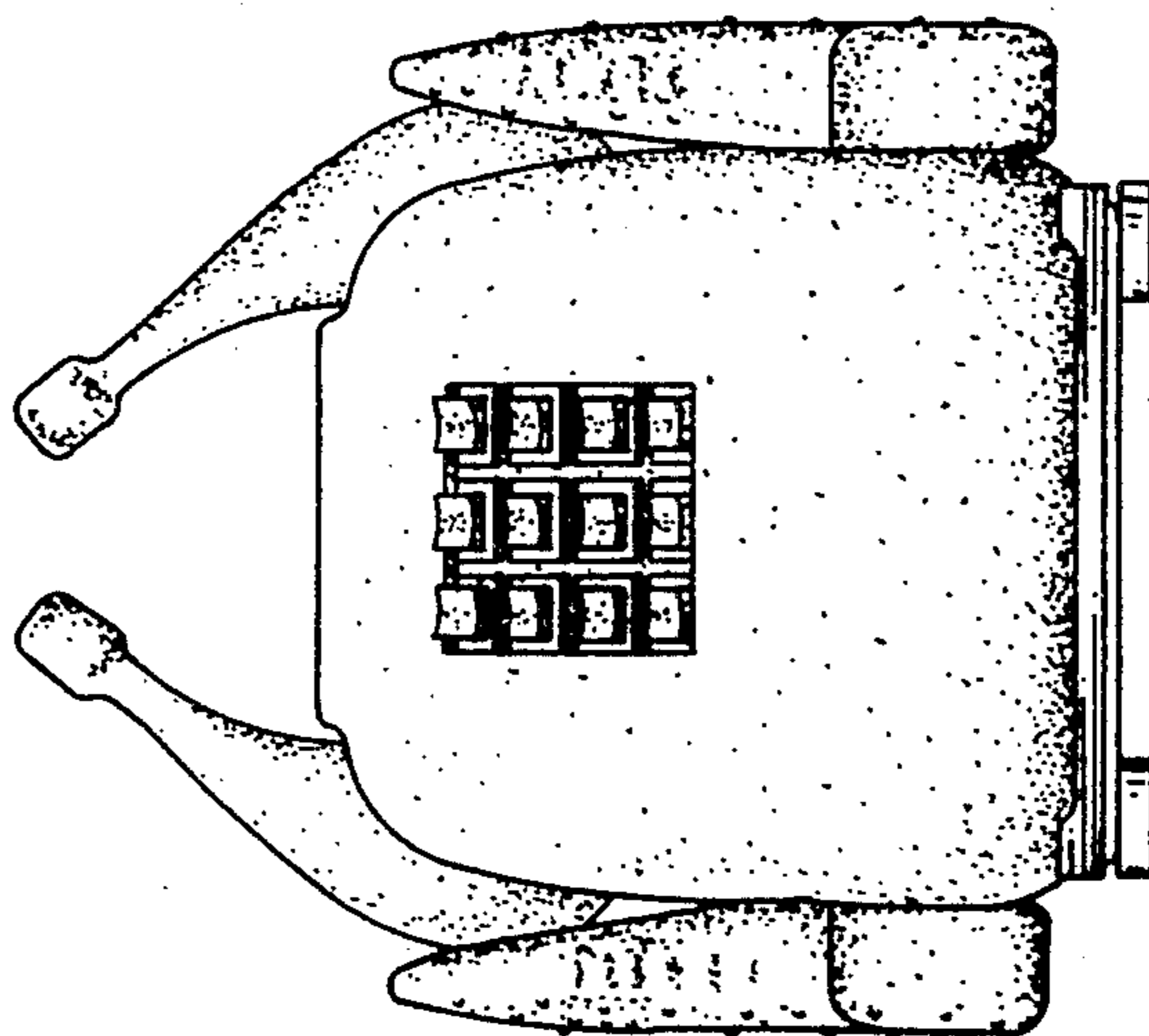


FIG 3

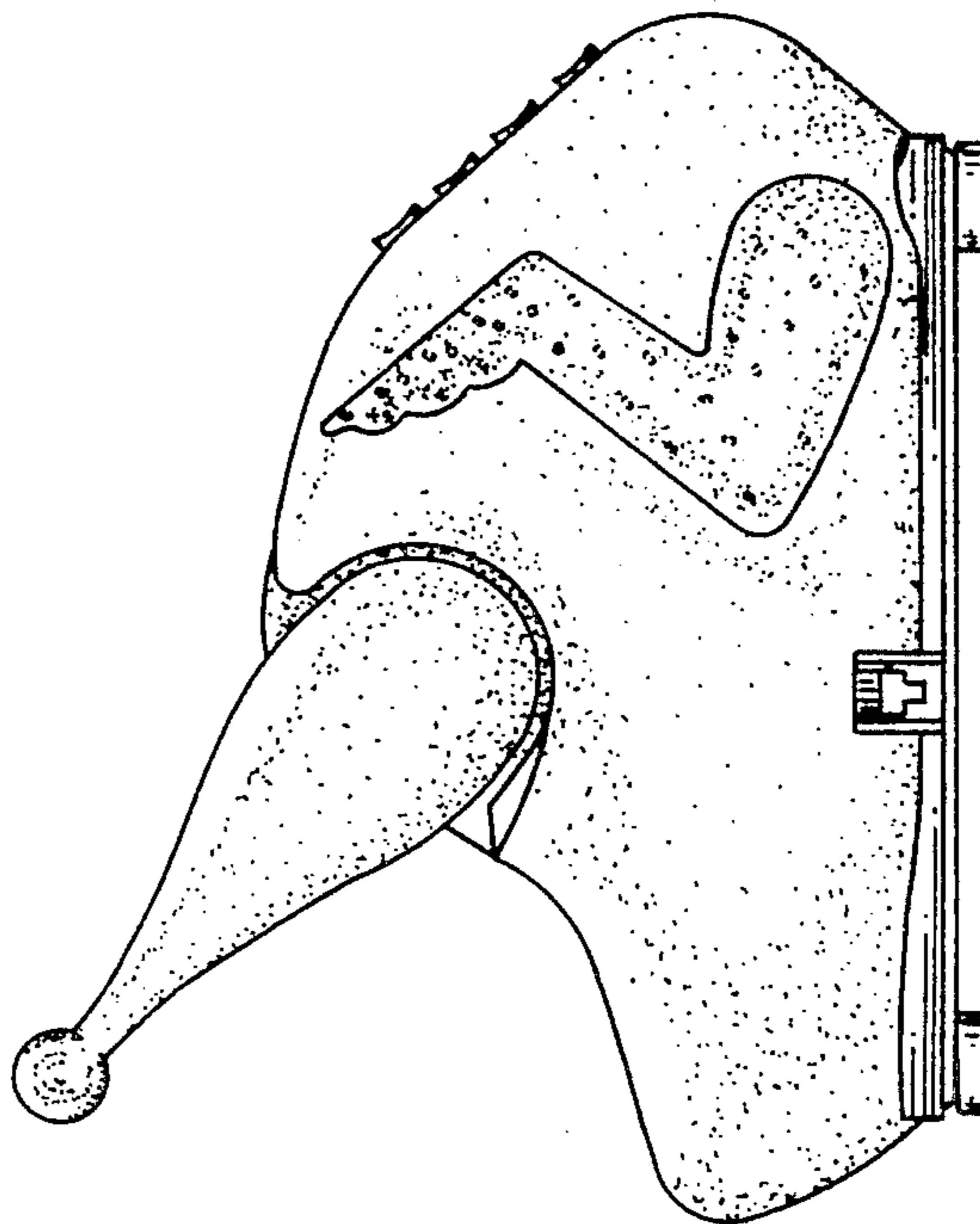
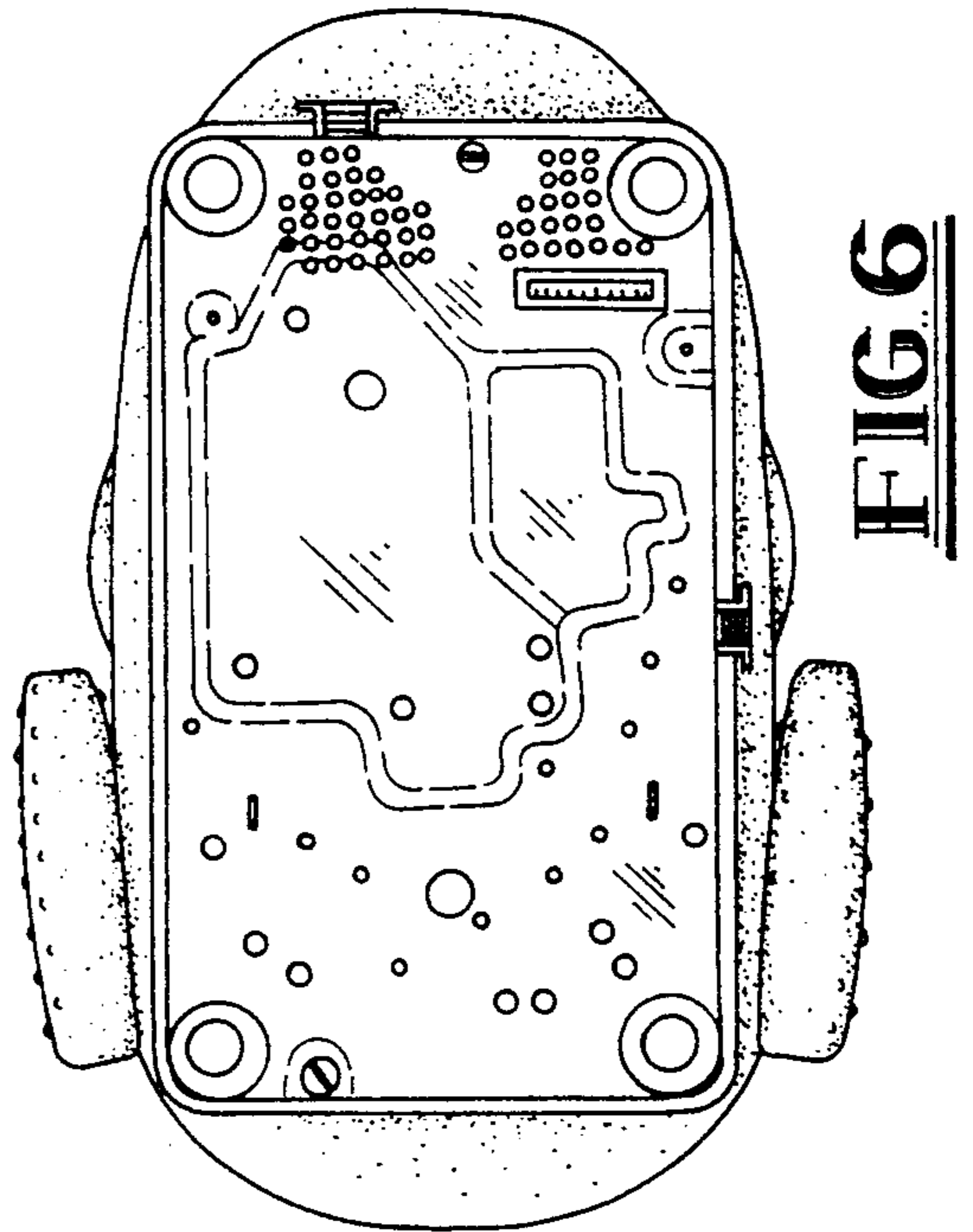
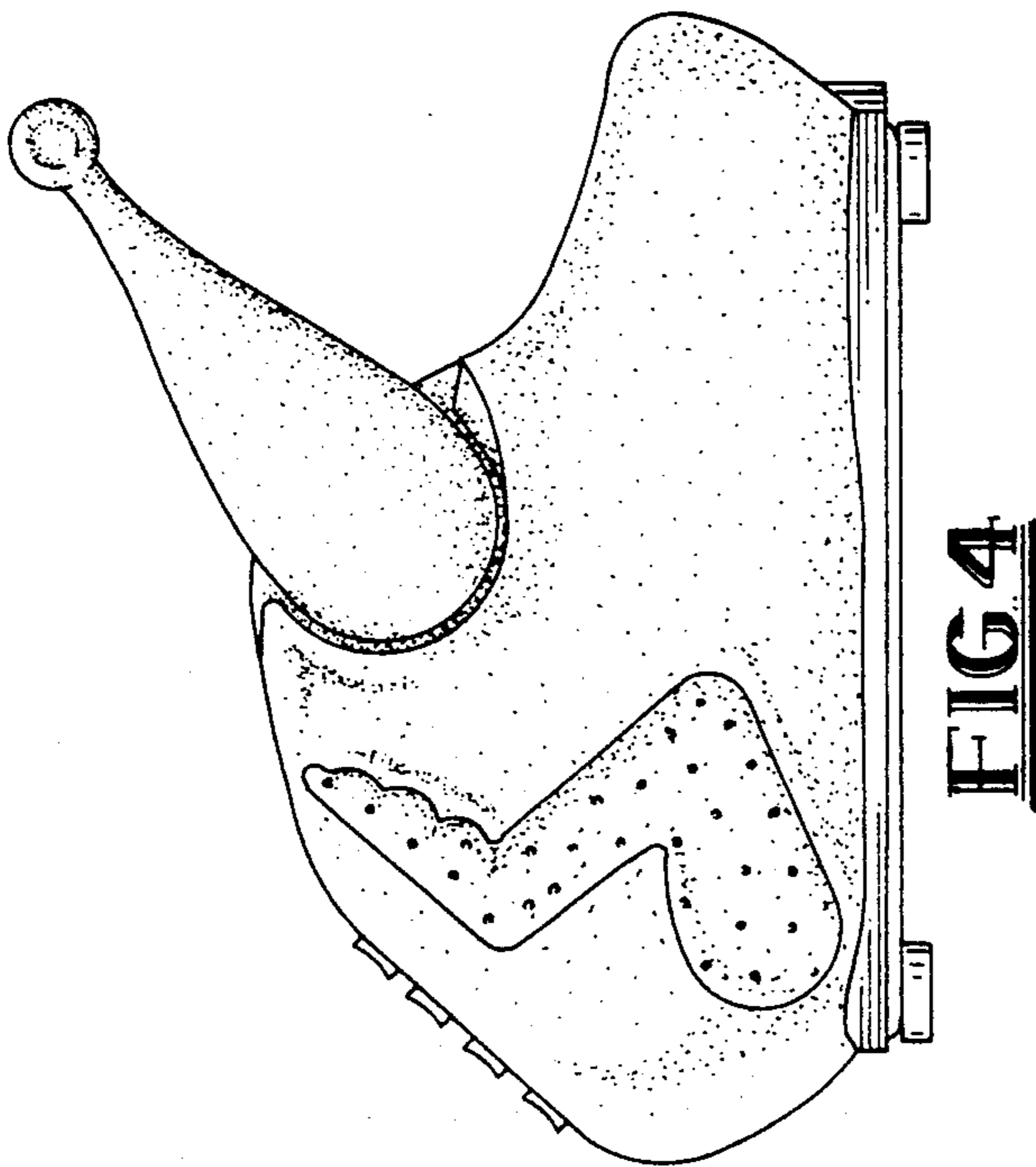
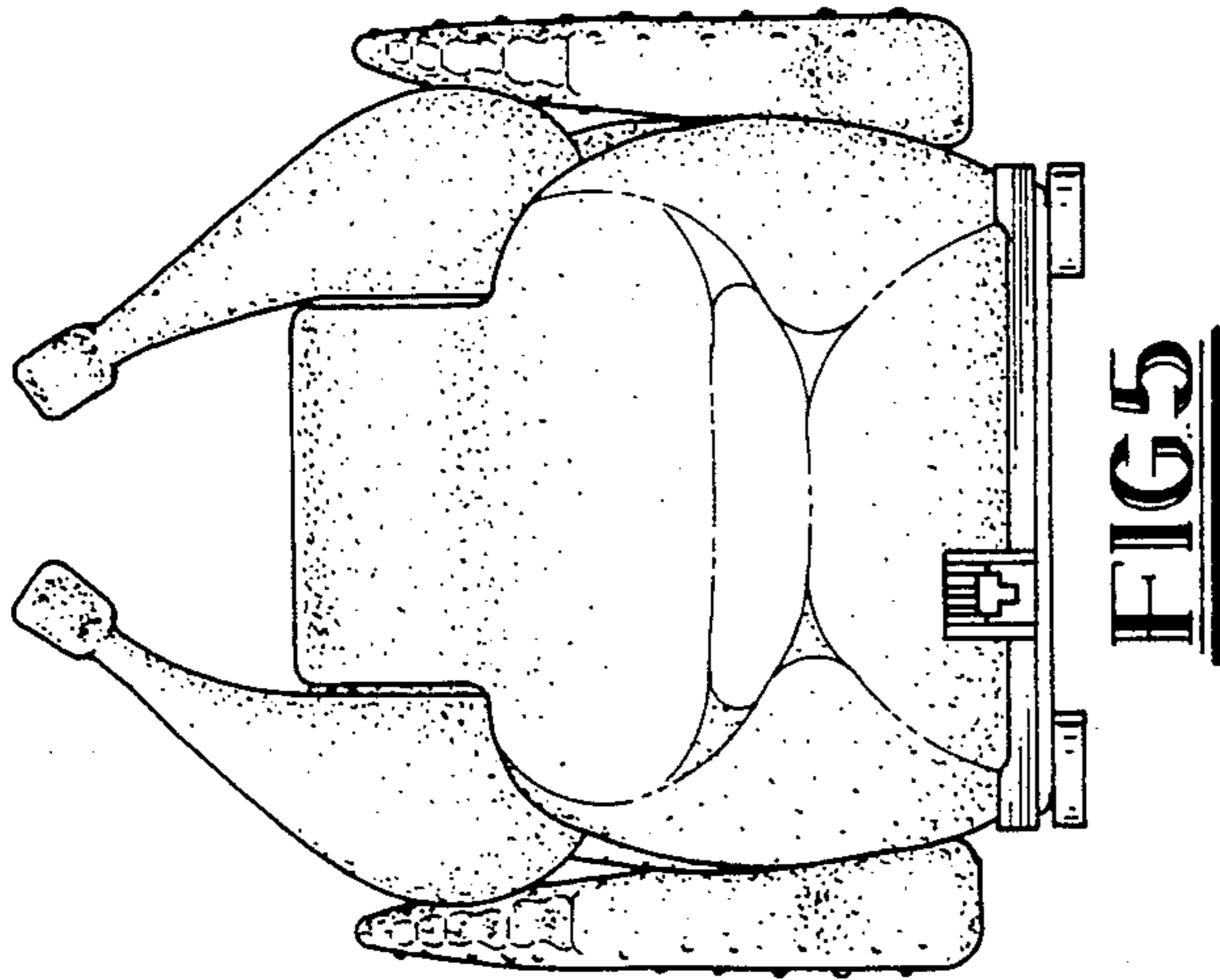


FIG 2



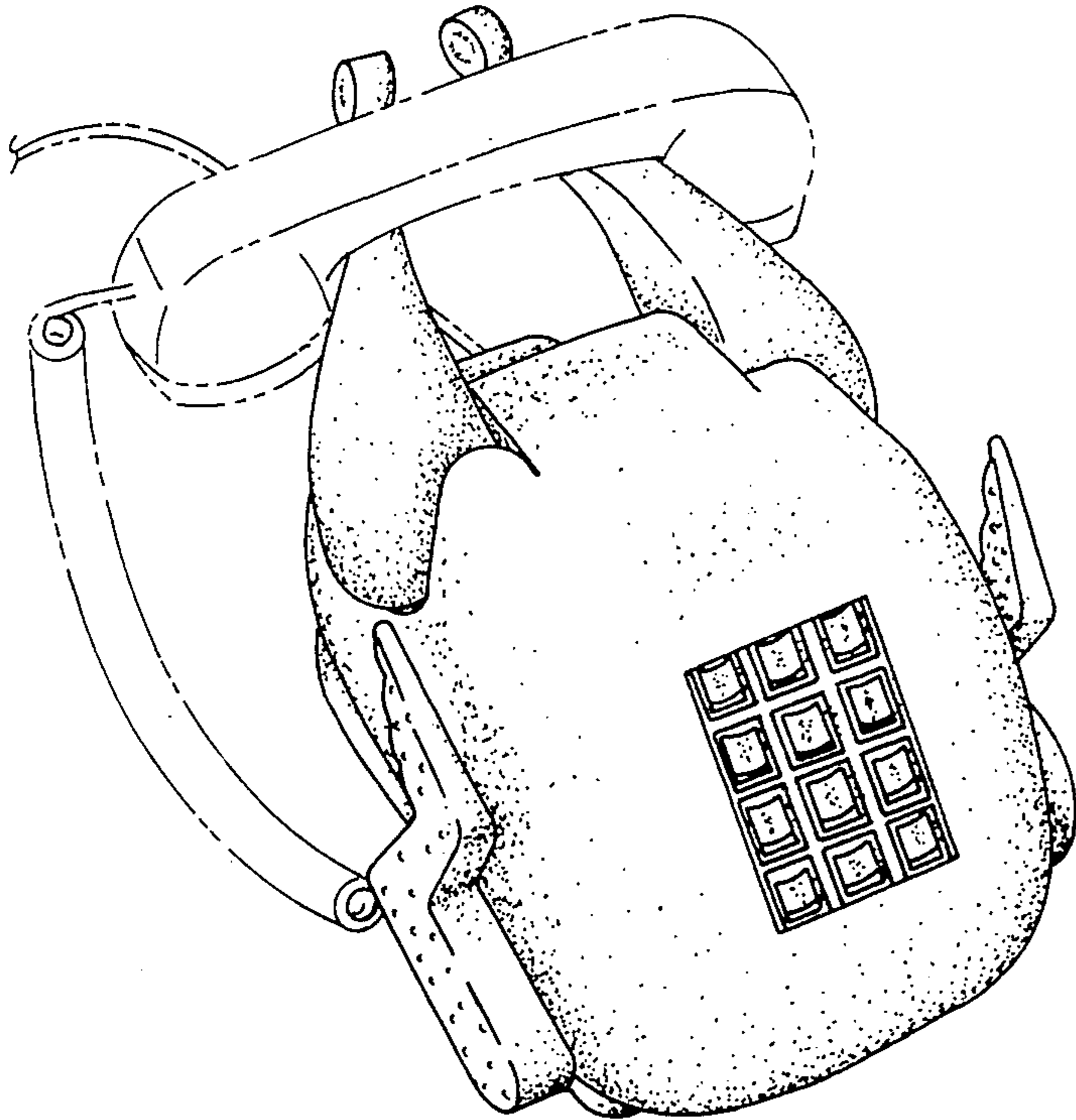


FIG. 7

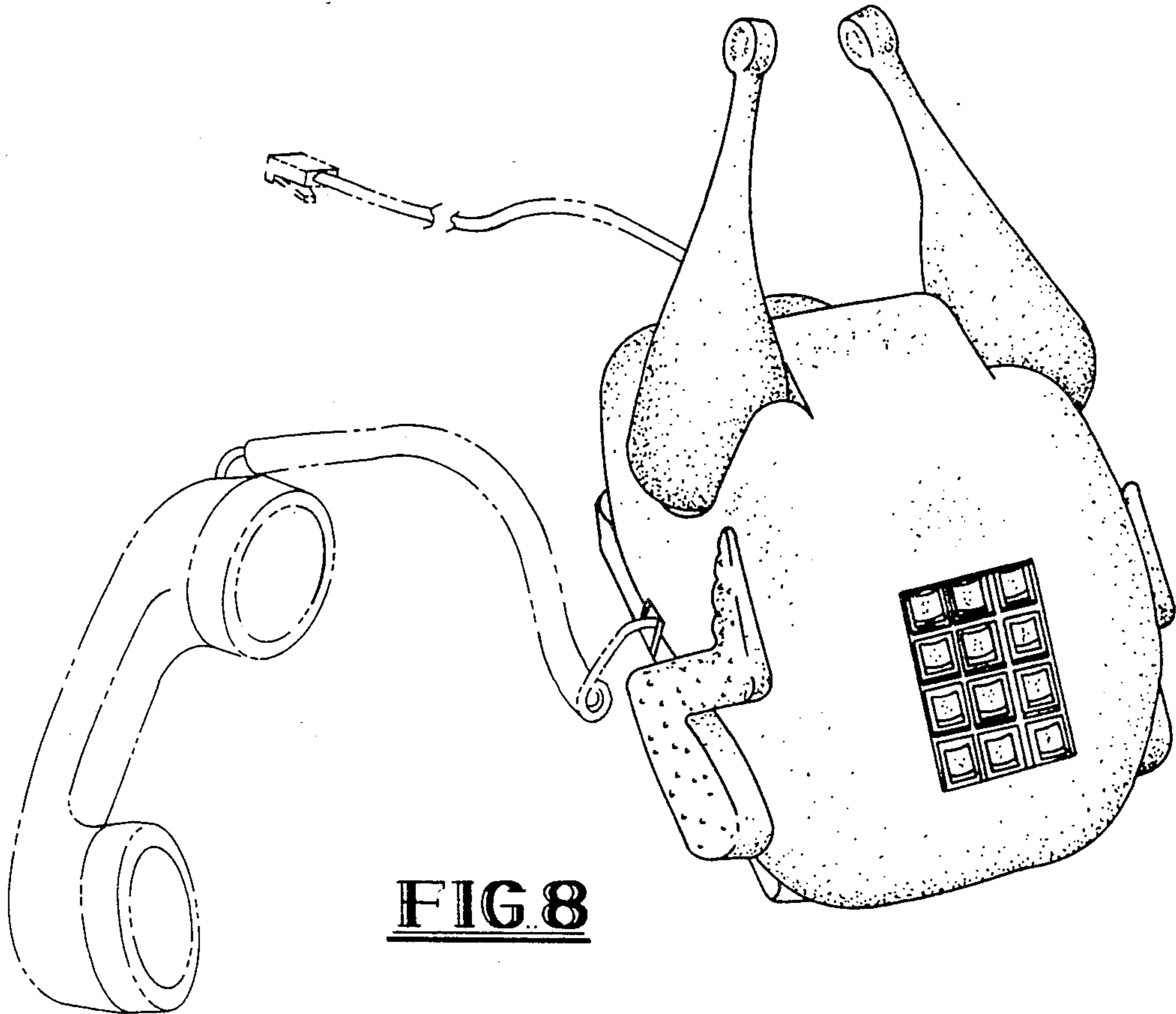


FIG. 8