

[54] COMBINED ELECTRONIC ENCLOSURE AND HEAT SINK APPARATUS OR SIMILAR ARTICLE

[75] Inventors: David J. Cox, Elgin; Roy E. Hunninghaus; Keith D. Meyer, both of Des Plaines; George Wozniczka, Chicago, all of Ill.

[73] Assignee: Motorola, Inc., Schaumburg, Ill.

[\*\*] Term: 14 Years

[21] Appl. No.: 557,308

[22] Filed: Dec. 2, 1983

[52] U.S. Cl. .... D13/15

[58] Field of Search ..... D13/3, 11, 12, 15; 123/647; 301/331

[56] References Cited

U.S. PATENT DOCUMENTS

D. 221,950	9/1971	Eidinger	.....	D13/15
D. 230,406	2/1974	Hampton	.....	D13/15
D. 243,245	2/1977	Beshore	.....	D13/15
D. 263,822	4/1982	Smith	.....	D13/11 X

2,984,744 5/1961 Race .  
4,397,291 8/1983 Johnson ..... 123/647 X

OTHER PUBLICATIONS

Practical Electronics—Feb. 1982—vol. 18, No. 2—“Diecast Box and Mounting Assembly”—p. 24.  
Motorola Brochure on “Electronic Ignition”.  
Motorola Automotive Products Division Brochure, “Automotive Electronics Making History Since 1928”.

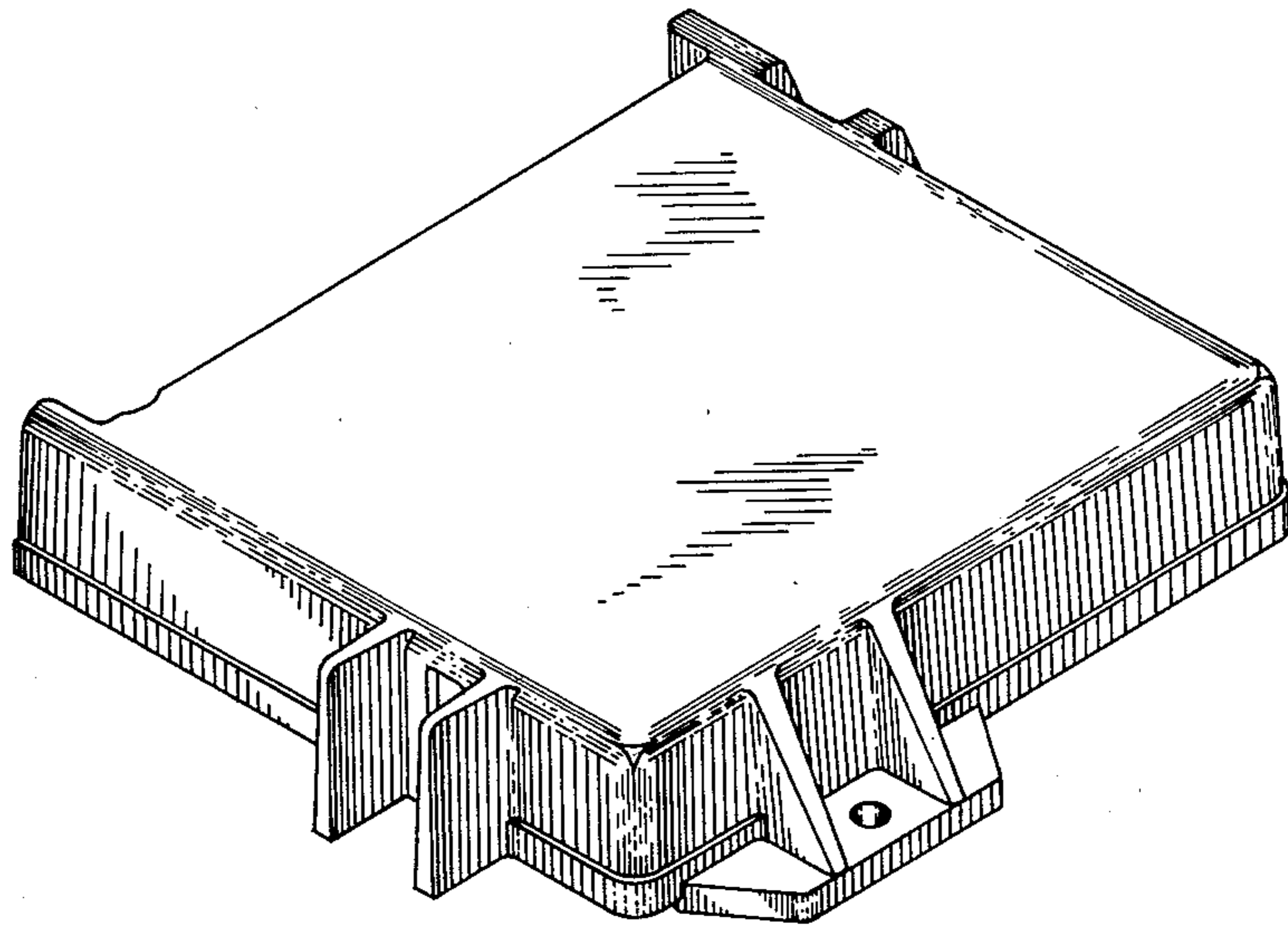
Primary Examiner—A. Hugo Word  
Assistant Examiner—Brian N. Vinson  
Attorney, Agent, or Firm—Phillip H. Melamed

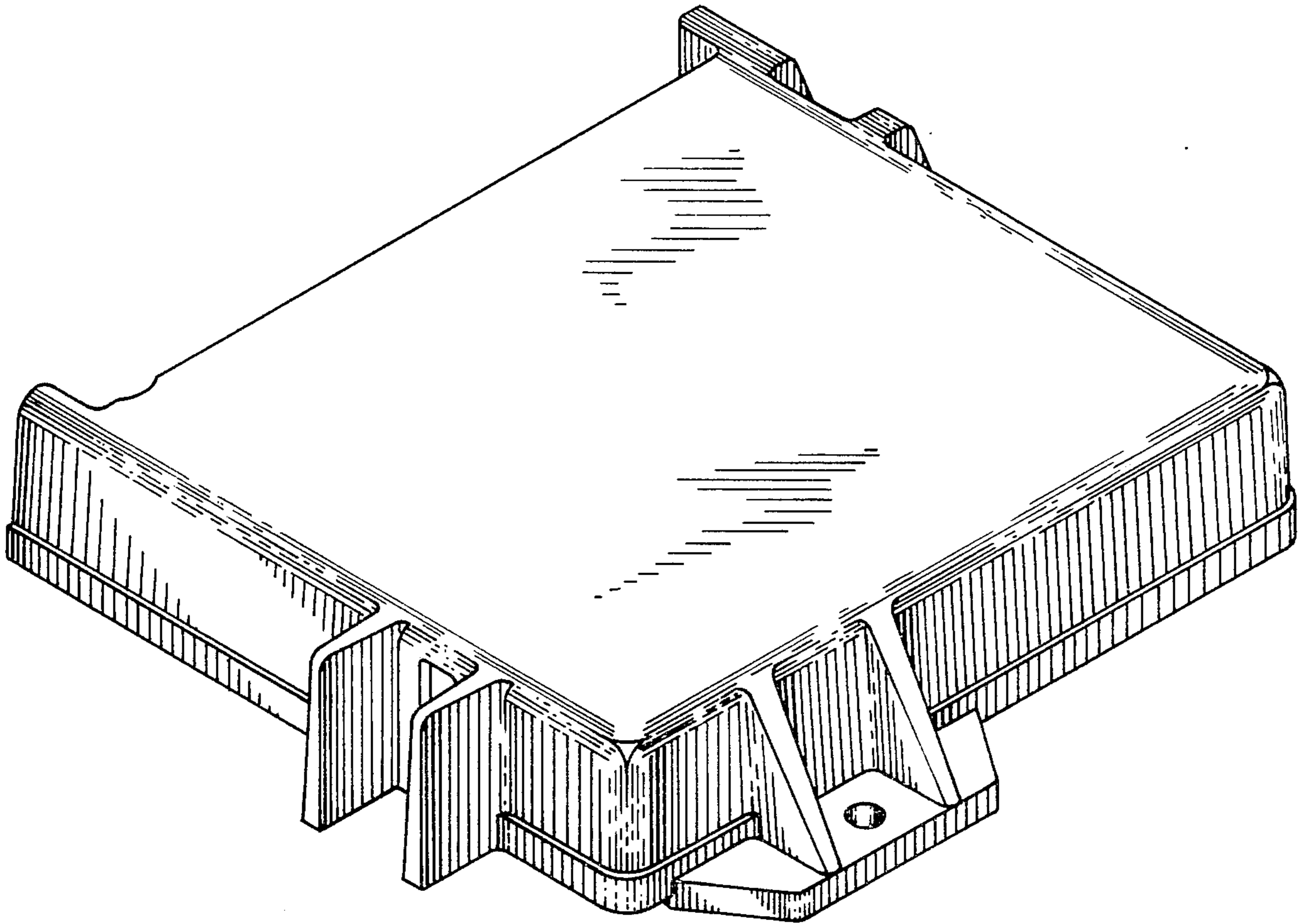
[57] CLAIM

The ornamental design for a combined electronic enclosure and heat sink apparatus or similar article, substantially as shown and described.

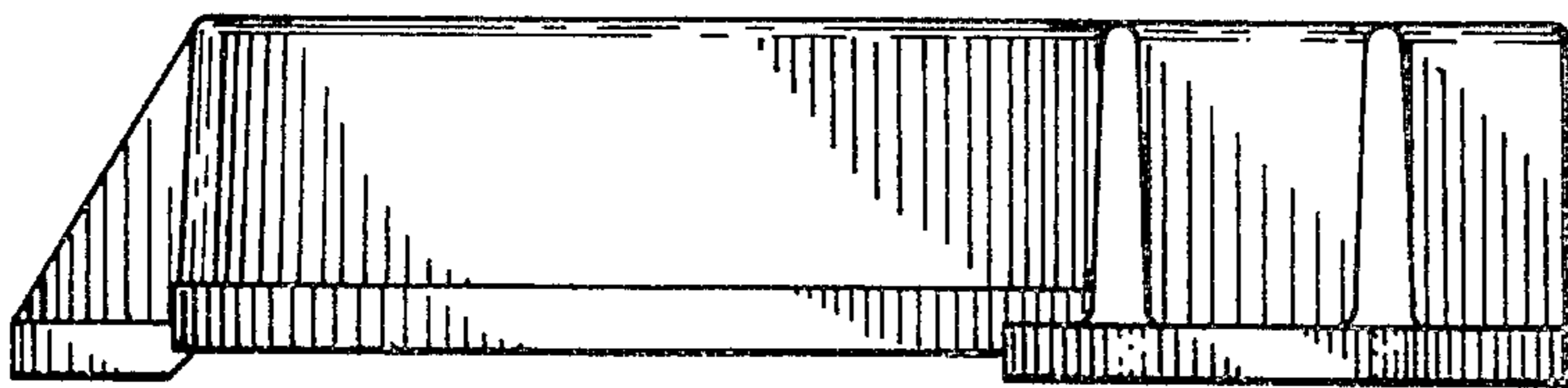
DESCRIPTION

FIG. 1 is a top perspective view of a combined electronic enclosure and heat sink apparatus or similar article showing our new design;  
FIG. 2 is a right side elevational view thereof;  
FIG. 3 is a rear elevational view thereof; and  
FIG. 4 is a bottom plan view thereof.





**FIG. 1**



**FIG. 2**

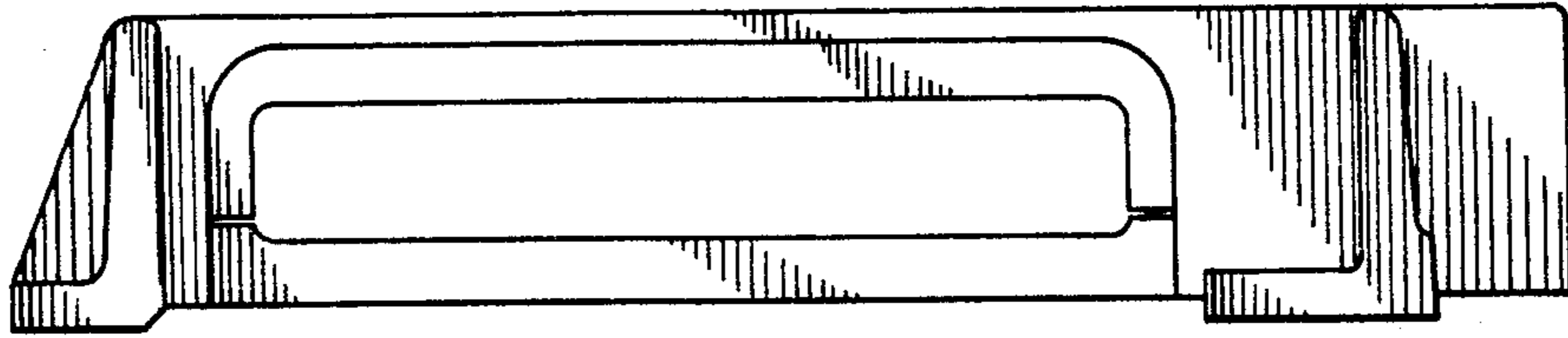


Fig. 3

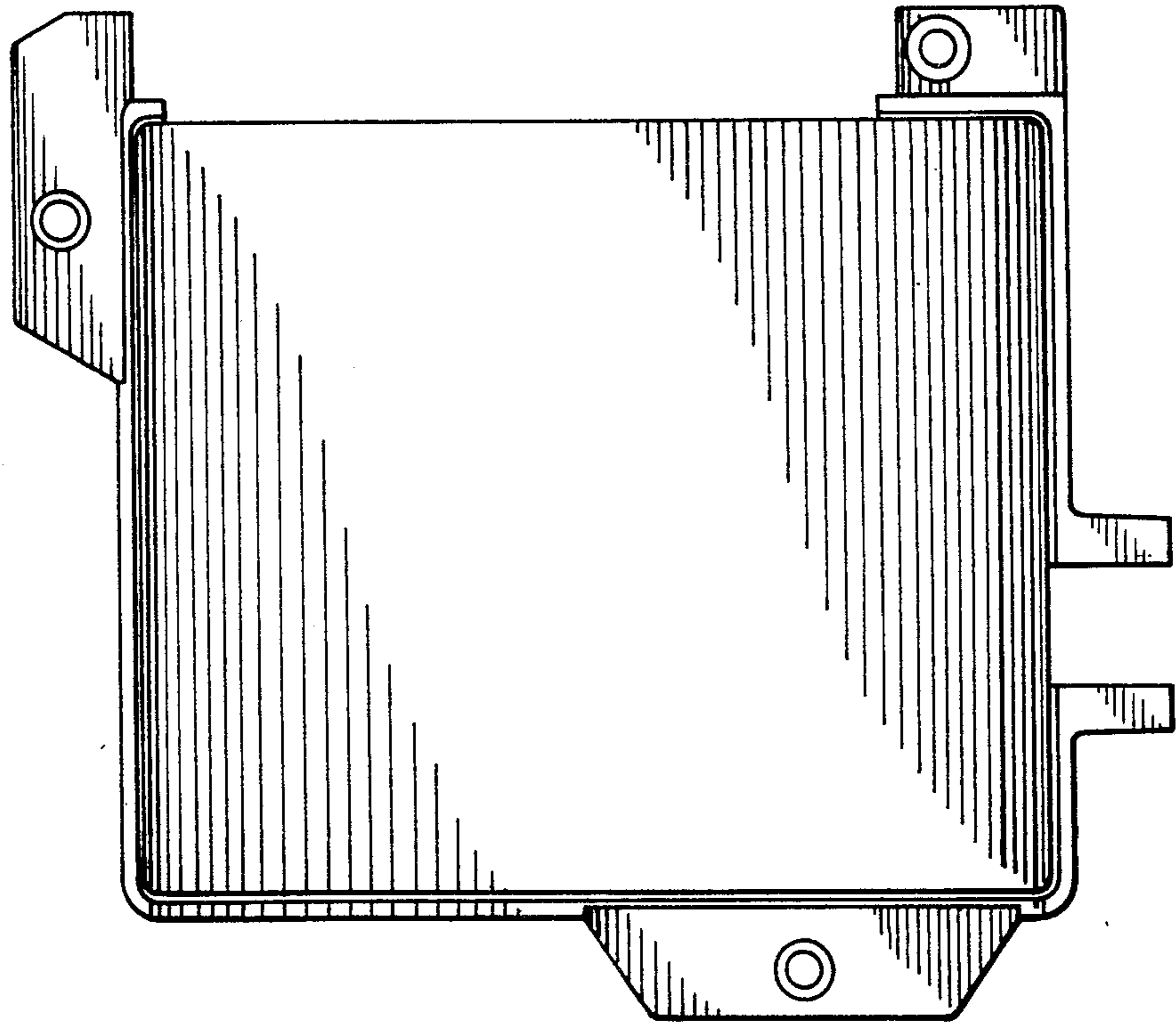


Fig. 4