

United States Patent [19]

Trombley et al.

[11] Patent Number: **Des. 284,565**

[45] Date of Patent: **** Jul. 8, 1986**

[54] **TRIM PIECE FOR AN AUTOMOBILE HOOD**

[75] Inventors: **Ulric W. Trombley, Chisago City;**
Richard J. Nozel, West St. Paul, both
of Minn.

[73] Assignee: **Double D Specialties, Inc., St. Paul,**
Minn.

[**] Term: **14 Years**

[21] Appl. No.: **575,065**

[22] Filed: **Jan. 30, 1984**

[52] U.S. Cl. **D12/190**

[58] Field of Search **D12/190; 296/91, 95 Q;**
428/31

[56]

References Cited

U.S. PATENT DOCUMENTS

D. 264,705 6/1982 Trombley et al. D12/190
D. 264,706 6/1982 Trombley et al. D12/190
D. 264,833 6/1982 Trombley et al. D12/190
D. 272,429 1/1984 Trombley et al. D12/190

Primary Examiner—James M. Gandy

[57]

CLAIM

The ornamental design for a trim piece for an automobile hood, as shown and described.

DESCRIPTION

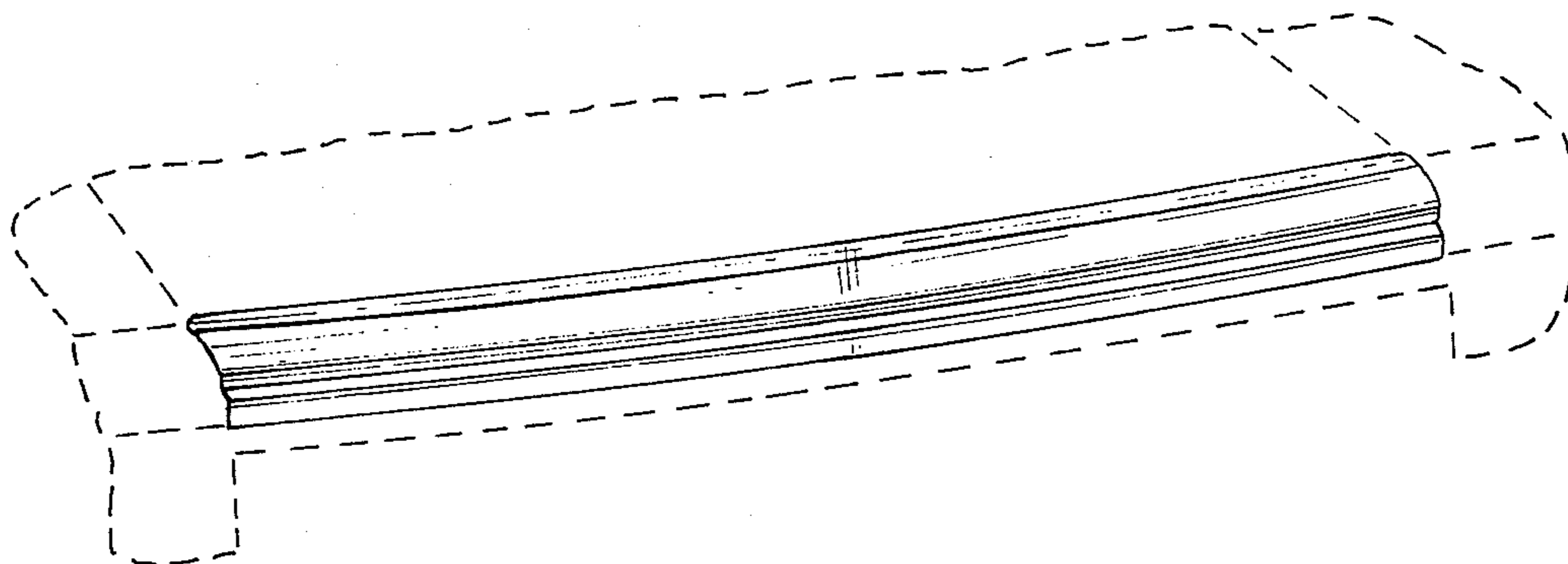
FIG. 1 is a front perspective view of a trim piece for an automobile hood showing our new design, it being understood that the broken lines are for illustrative purposes only.

FIG. 2 is a top plan view thereof;

FIG. 3 is a front elevational view thereof;

FIG. 4 is a bottom plan view thereof; and

FIG. 5 is an enlarged end elevational view thereof.



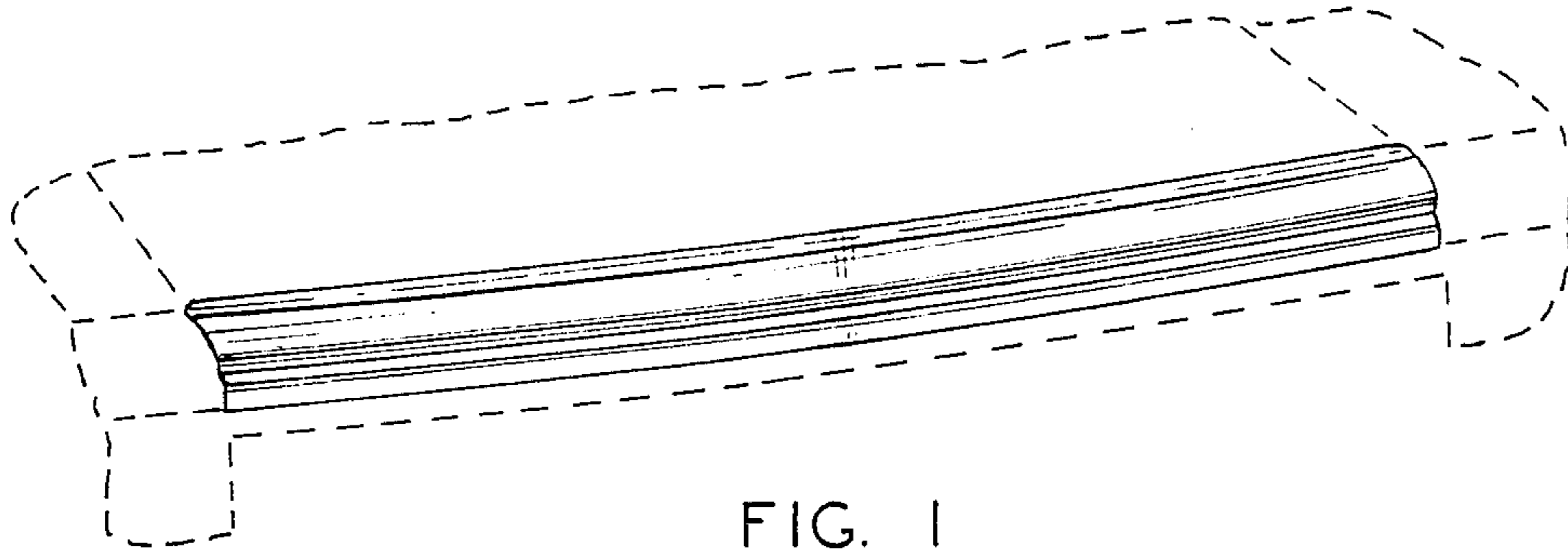


FIG. 1

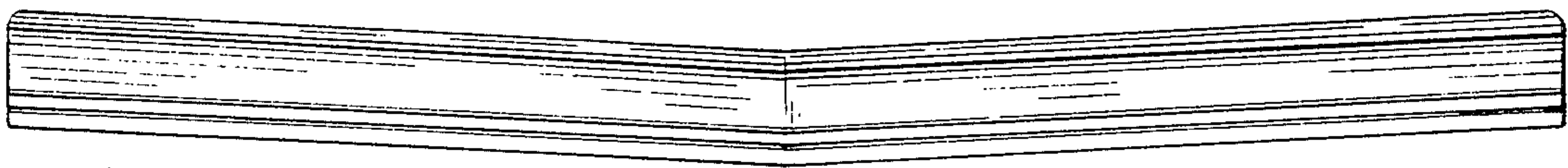


FIG. 2

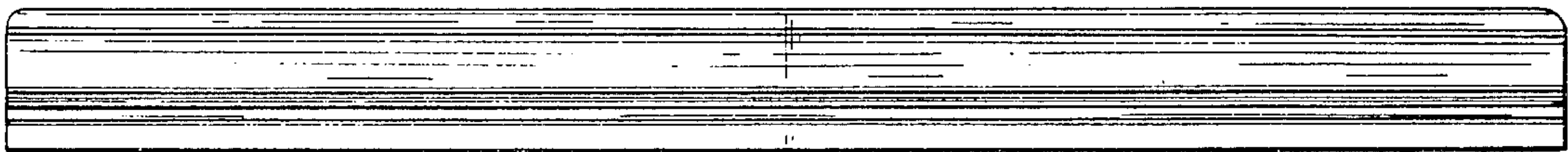


FIG. 3

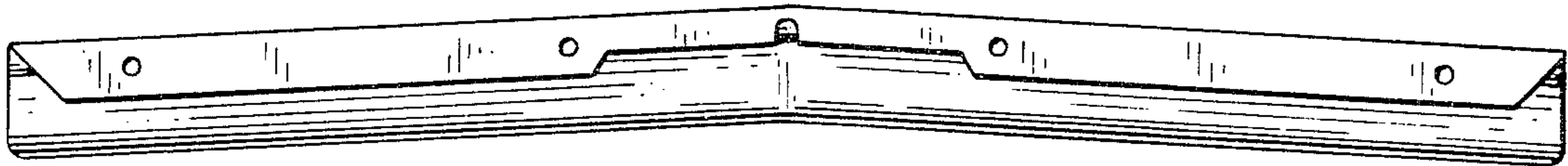


FIG. 4

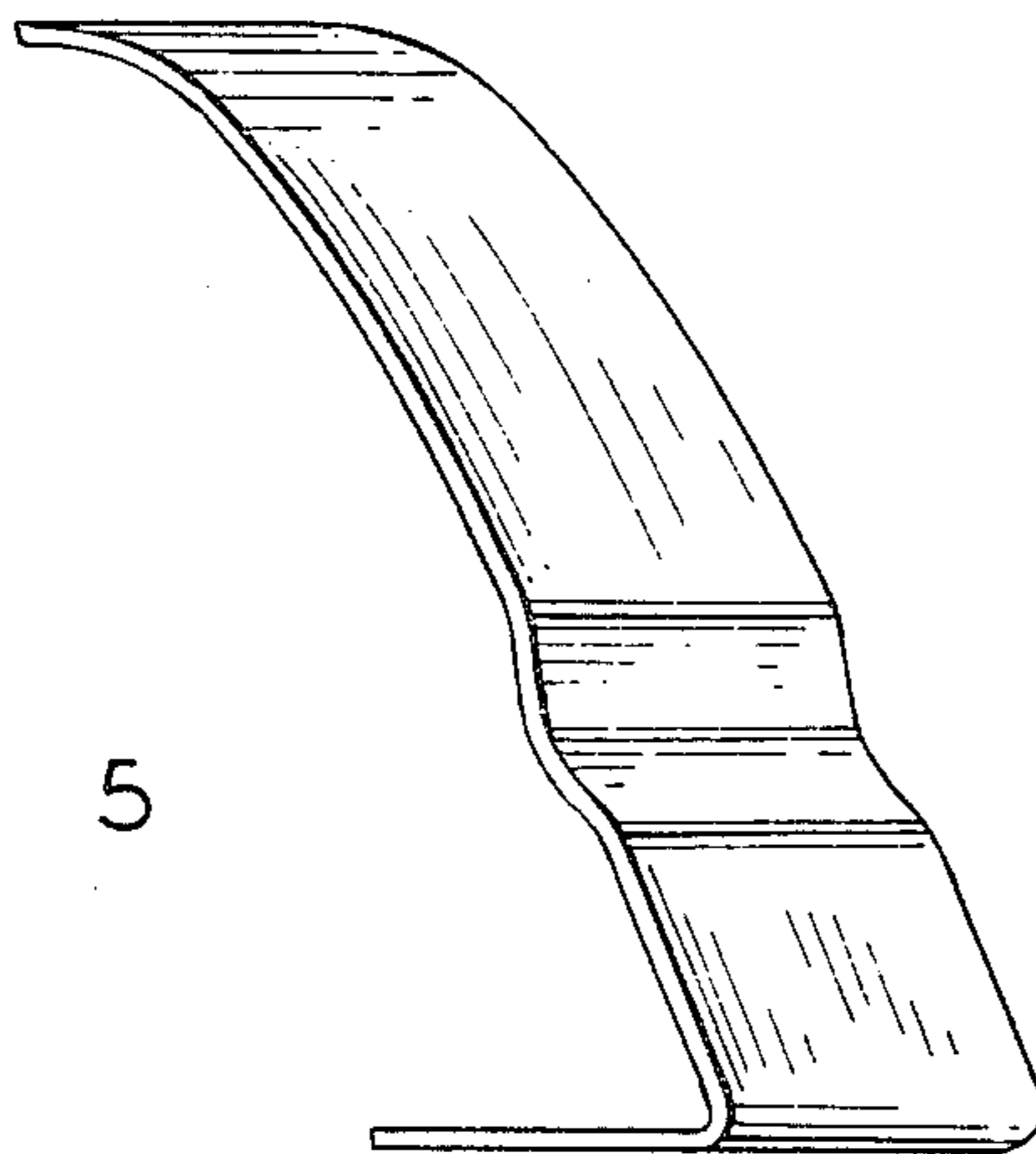


FIG. 5