

[54] AUTOMOBILE TIRE

[75] Inventors: Hiroshi Kojima, Tokyo; Misao Kawabata, Saitama; Kazuo Obata; Hisao Ushikubo, both of Tokyo, all of Japan

[73] Assignee: Bridgestone Tire Co., Ltd., Tokyo, Japan

[\*\*] Term: 14 Years

[21] Appl. No.: 561,258

[22] Filed: Dec. 14, 1983

[30] Foreign Application Priority Data

Jul. 1, 1983 [JP] Japan ..... 58-28189

Jul. 25, 1983 [JP] Japan ..... 58-32266

[52] U.S. Cl. .... D12/147; D12/145

[58] Field of Search ..... D12/141-143, D12/145-151, 140, 136; 152/209 R, 209 B, 209 D

[56] References Cited

U.S. PATENT DOCUMENTS

D. 278,618	4/1985	Kojima et al. ....	D12/140
D. 279,365	6/1985	Takehara .....	D12/137
D. 279,465	7/1985	Nishio et al. ....	D12/147
D. 280,090	8/1985	Graas .....	D12/146

Primary Examiner—James M. Gandy  
Attorney, Agent, or Firm—Sughrue, Mion, Zinn, Macpeak and Seas

[57] CLAIM

The ornamental design for an automobile tire, as shown and described.

DESCRIPTION

FIG. 1 is a perspective view of an automobile tire showing our new design, it being understood that the tread pattern is repeated throughout the circumference of the tire;

FIG. 2 is an end elevational view thereof; and

FIG. 3 is a side elevational view of the side shown, the opposite side being a mirror image thereof.

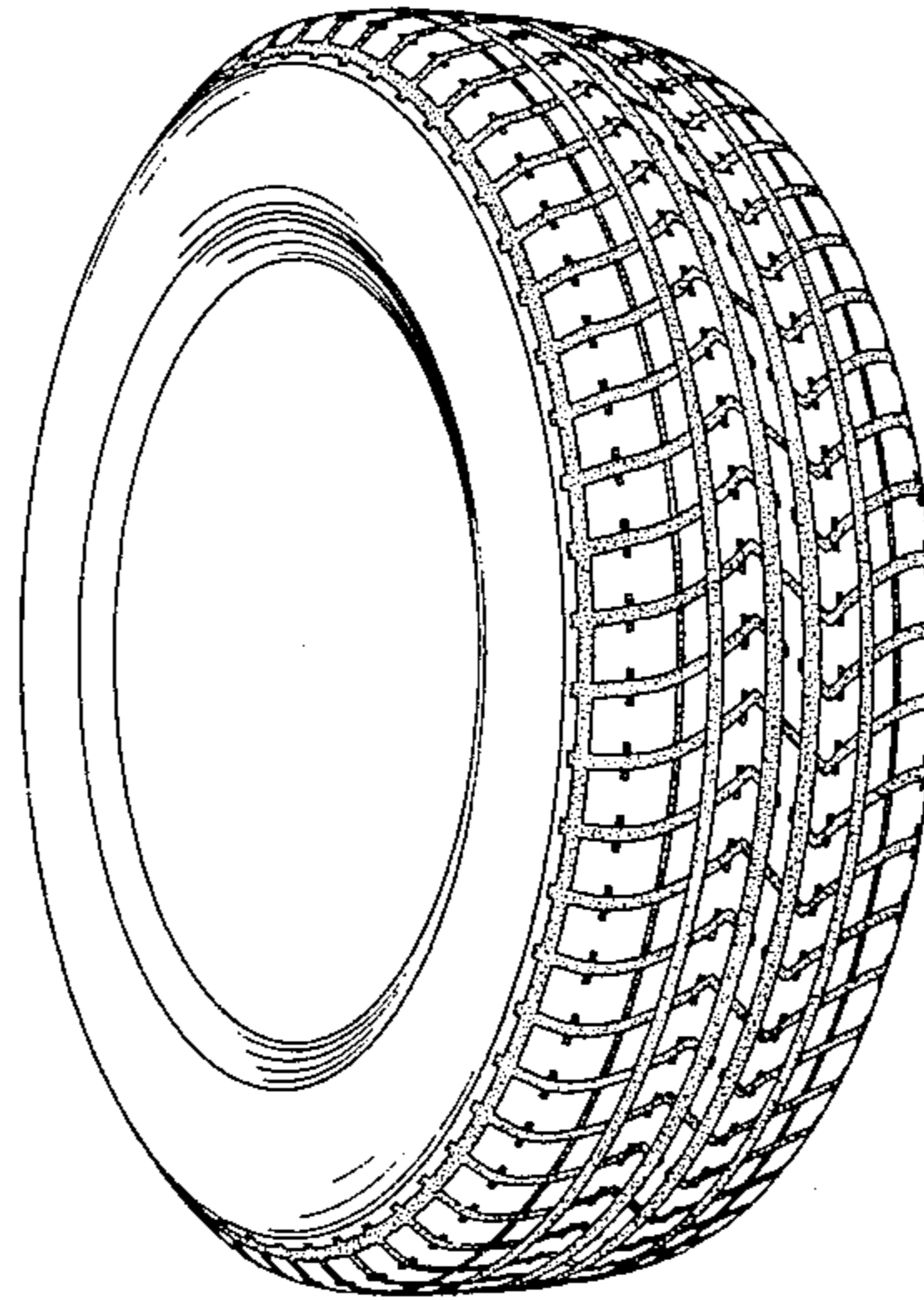


FIG. 1

FIG. 2

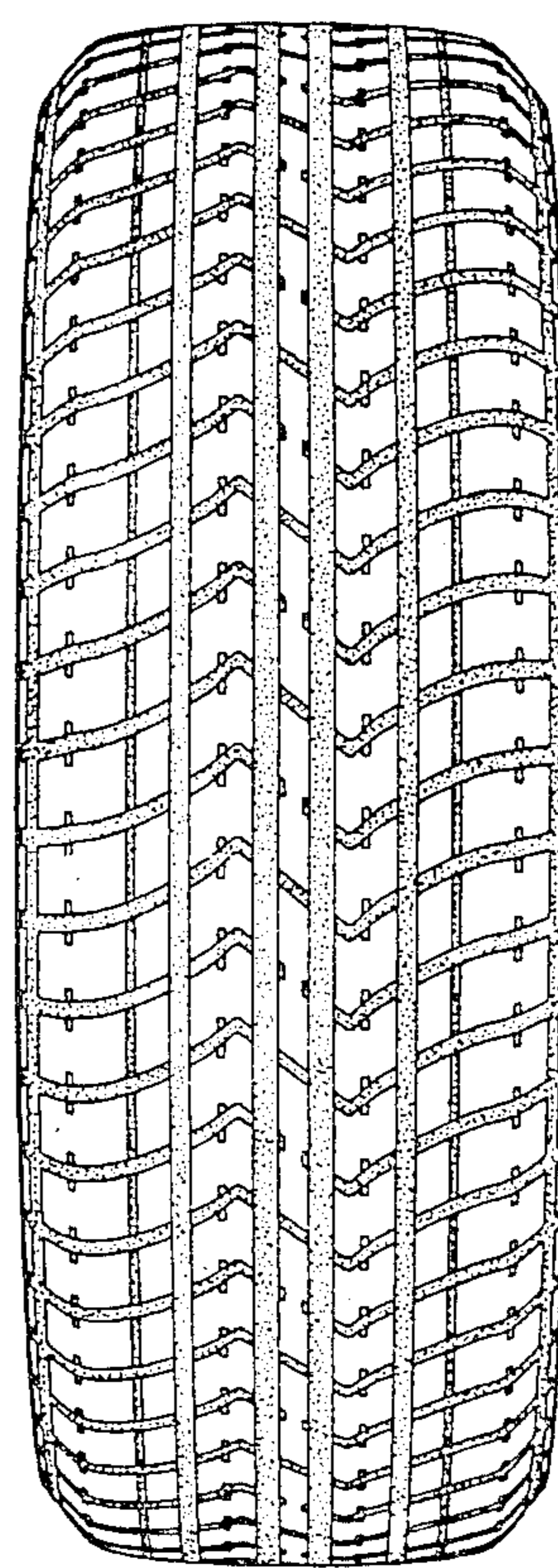
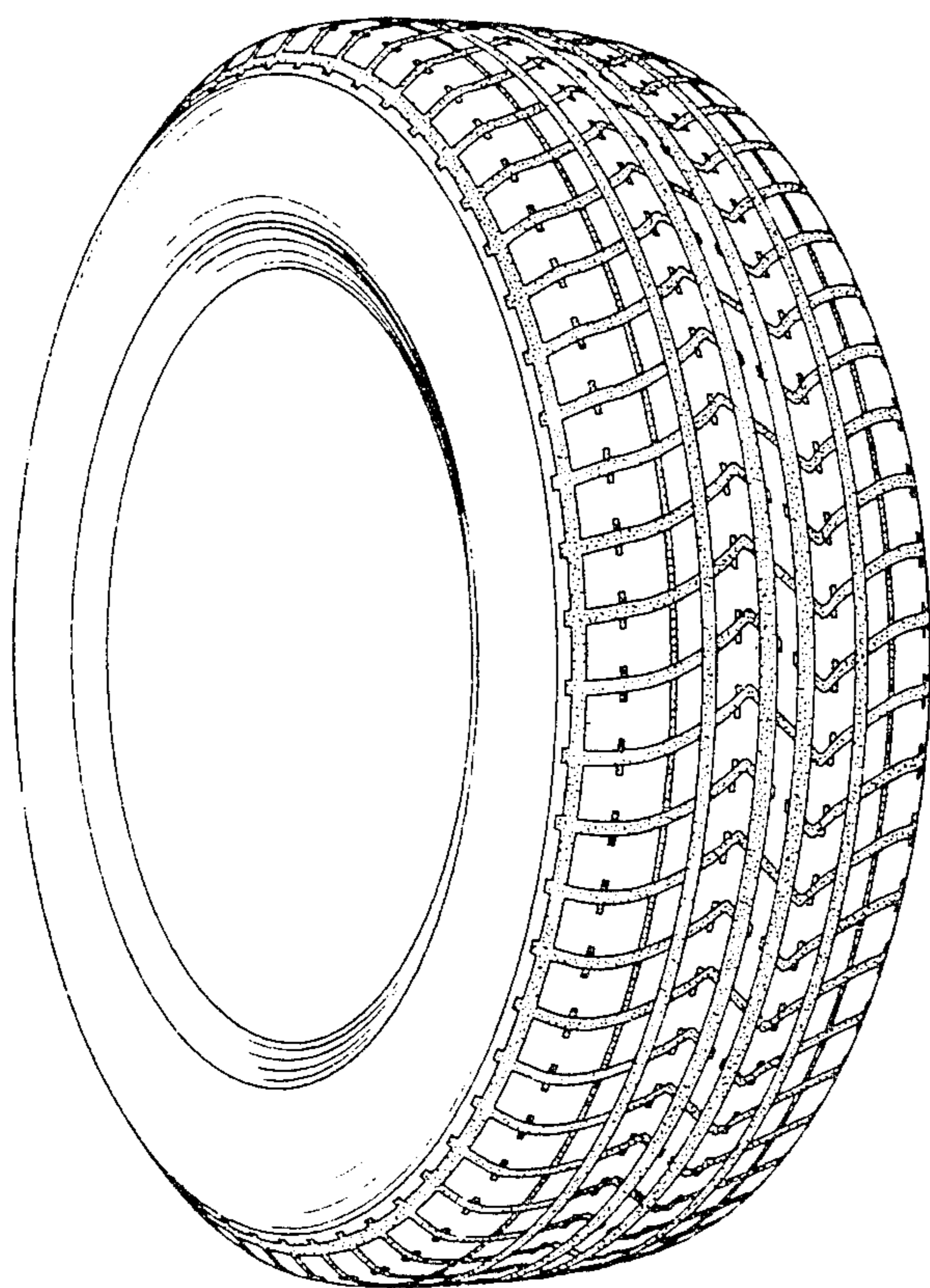


FIG. 3

