

[54] BICYCLE PEDAL

DESCRIPTION

[75] Inventors: Carlton P. Pawsat; David K. McMurtrey, both of Maysville, Ky.

[73] Assignee: Wald Manufacturing Co., Inc., Maysville, Ky.

[**] Term: 14 Years

[21] Appl. No.: 559,033

[22] Filed: Dec. 7, 1983

[52] U.S. Cl. D12/125

[58] Field of Search D12/125; 74/594.4

FIG. 1 is a top front perspective view of a bicycle pedal showing our new design.

FIG. 2 is a bottom rear perspective view thereof.

FIG. 3 is a side elevational view, the opposite side being a mirror image thereof.

FIG. 4 is a top plan view on a reduced scale, the bottom plan view of which is the mirror image thereof.

FIG. 5 is a front end elevational view thereof on a reduced scale.

FIG. 6 is a rear end elevational view thereof on a reduced scale.

FIG. 7 is a top front perspective view of a second embodiment of a bicycle pedal showing our new design.

FIG. 8 is a bottom rear perspective view of the second embodiment of FIG. 7.

FIG. 9 is a side elevational view of the second embodiment of FIG. 7, the opposite side being a mirror image thereof.

FIG. 10 is a top plan view on a reduced scale of the embodiment of FIG. 7, the bottom plan view of which is a mirror image thereof.

FIG. 11 is a front end elevational view of the embodiment of FIG. 7 on a reduced scale.

FIG. 12 is a rear end elevational view of the embodiment of FIG. 7 on a reduced scale.

[56] References Cited

U.S. PATENT DOCUMENTS

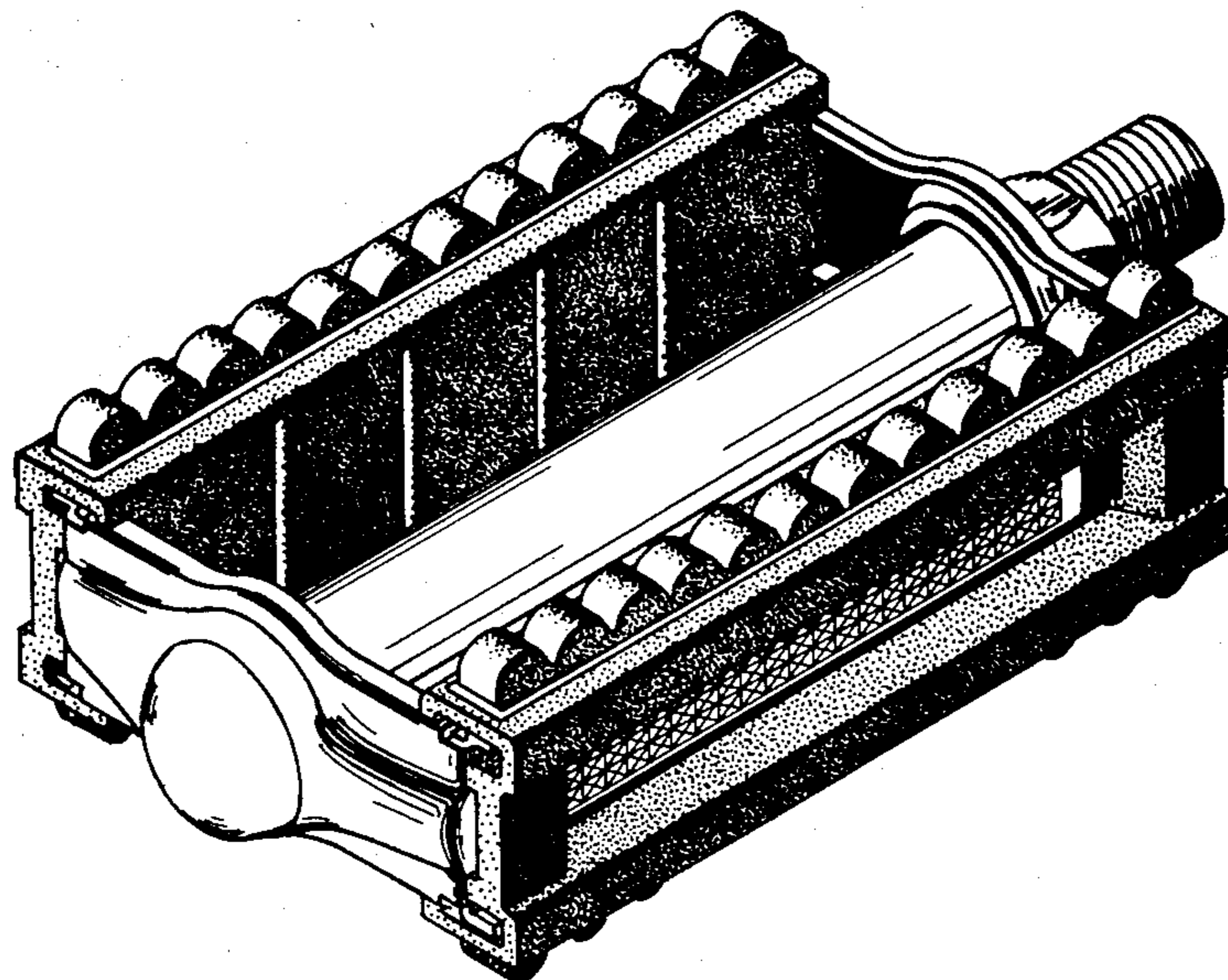
D. 233,223 10/1974 Pawsat et al. D12/125

D. 260,249 8/1981 Humlong D12/125

Primary Examiner—James M. Gandy
 Attorney, Agent, or Firm—Wood, Herron & Evans

[57] CLAIM

The ornamental design for a bicycle pedal, as shown and described.



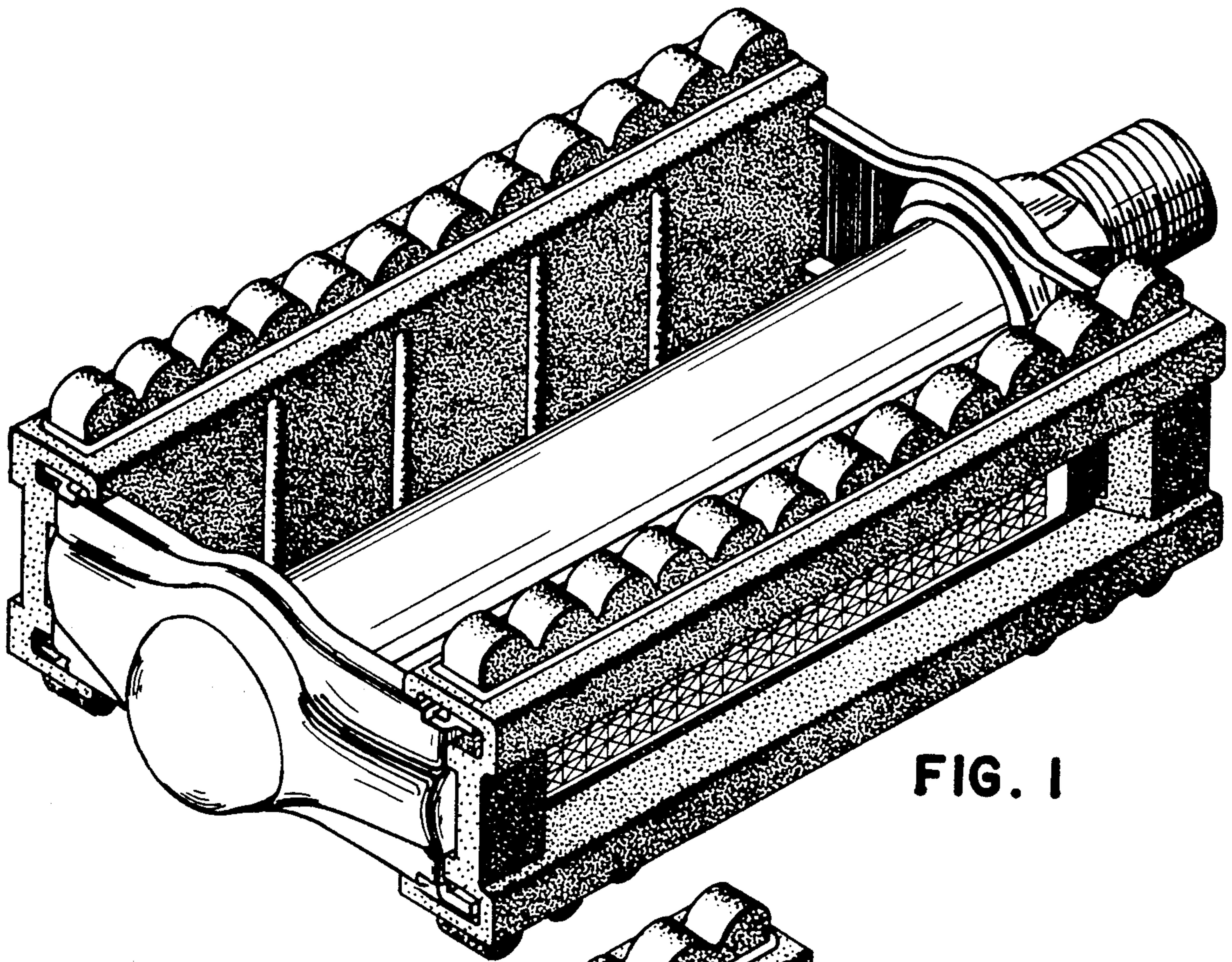


FIG. 1

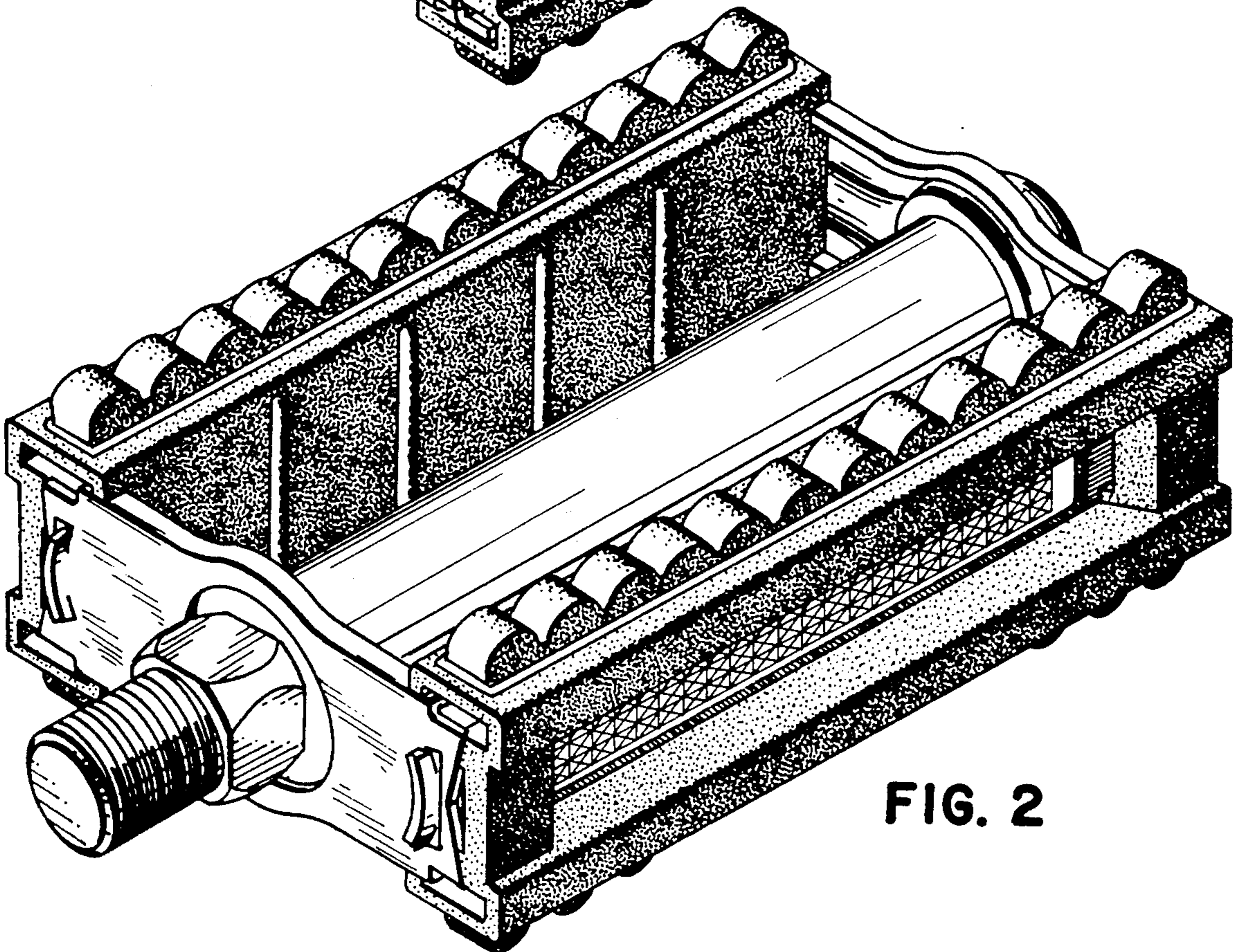


FIG. 2

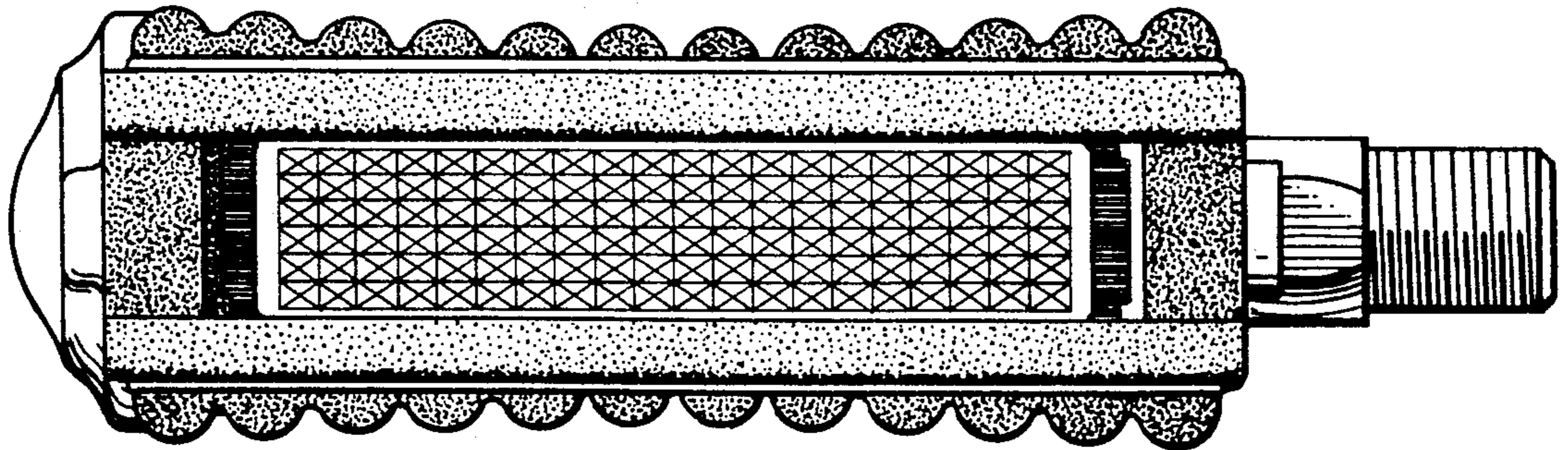


FIG. 3

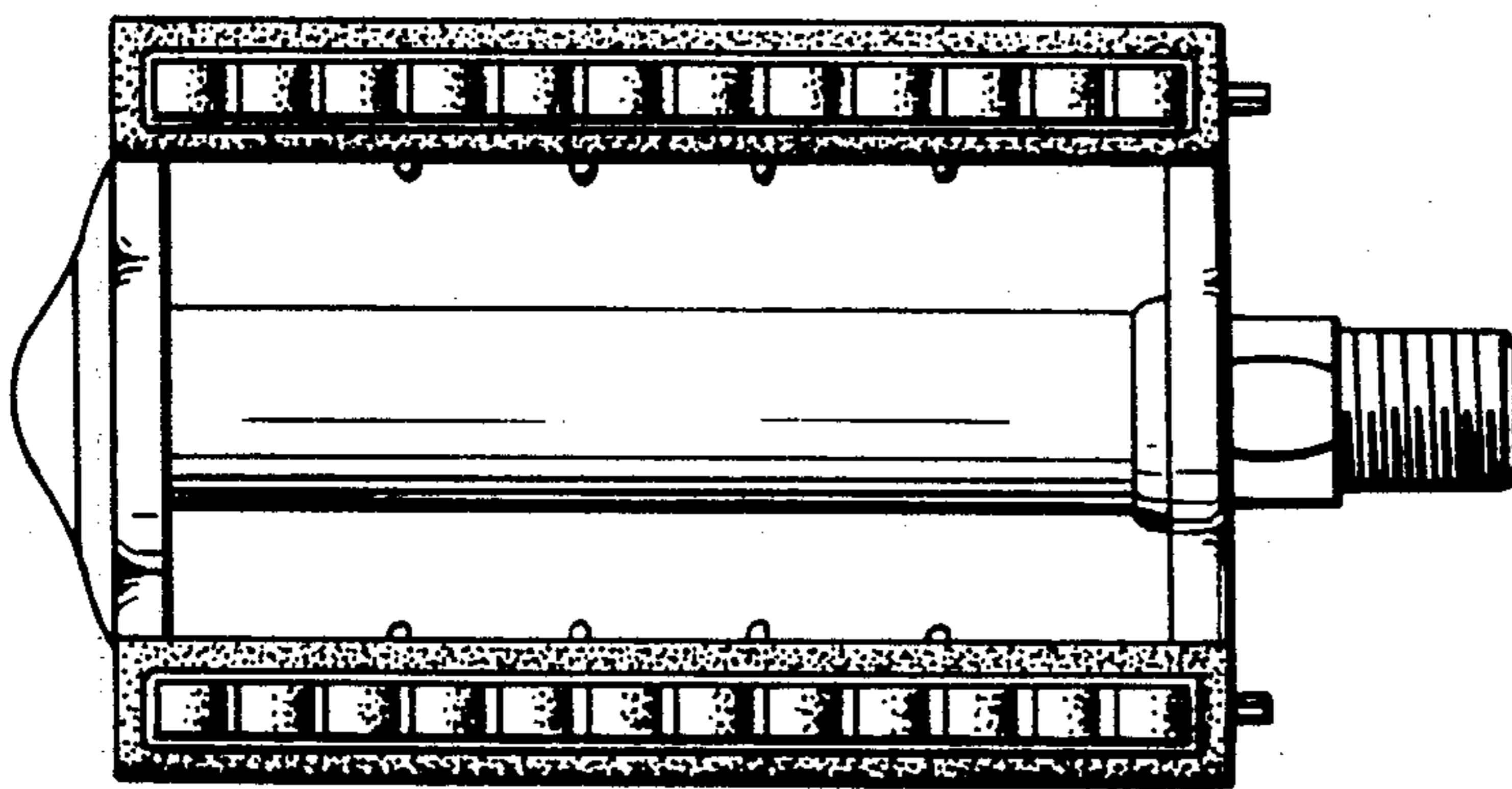


FIG. 4

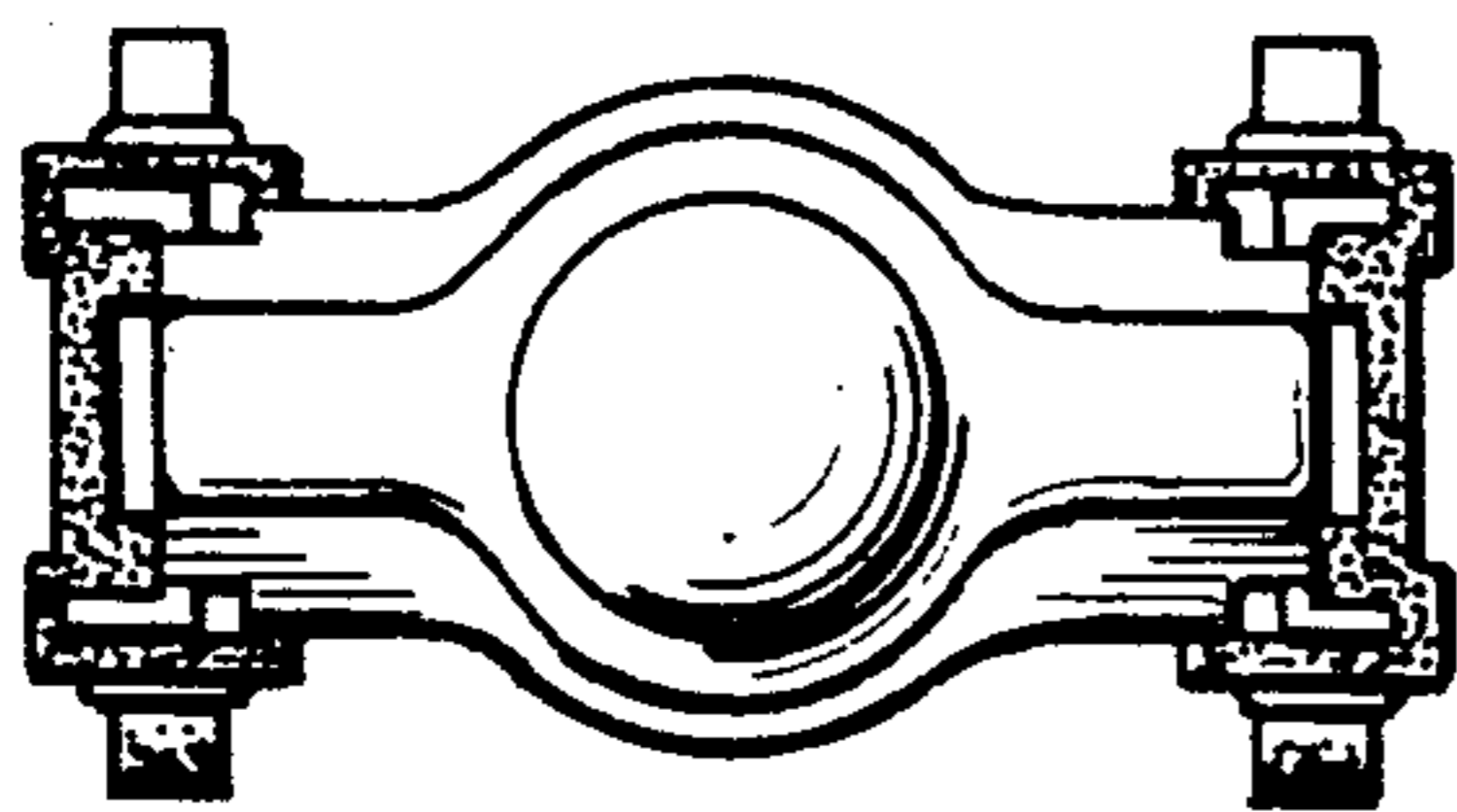


FIG. 5

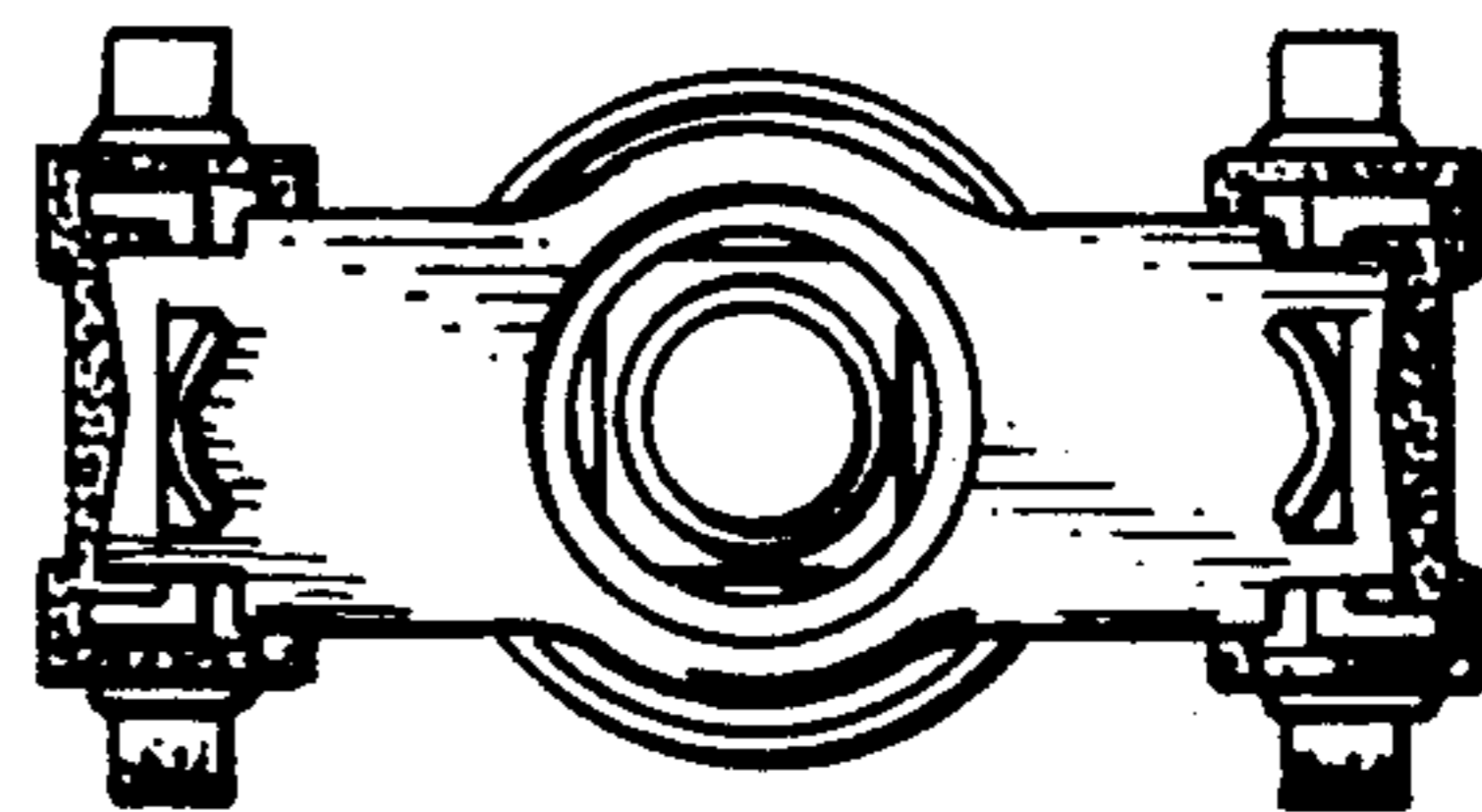


FIG. 6

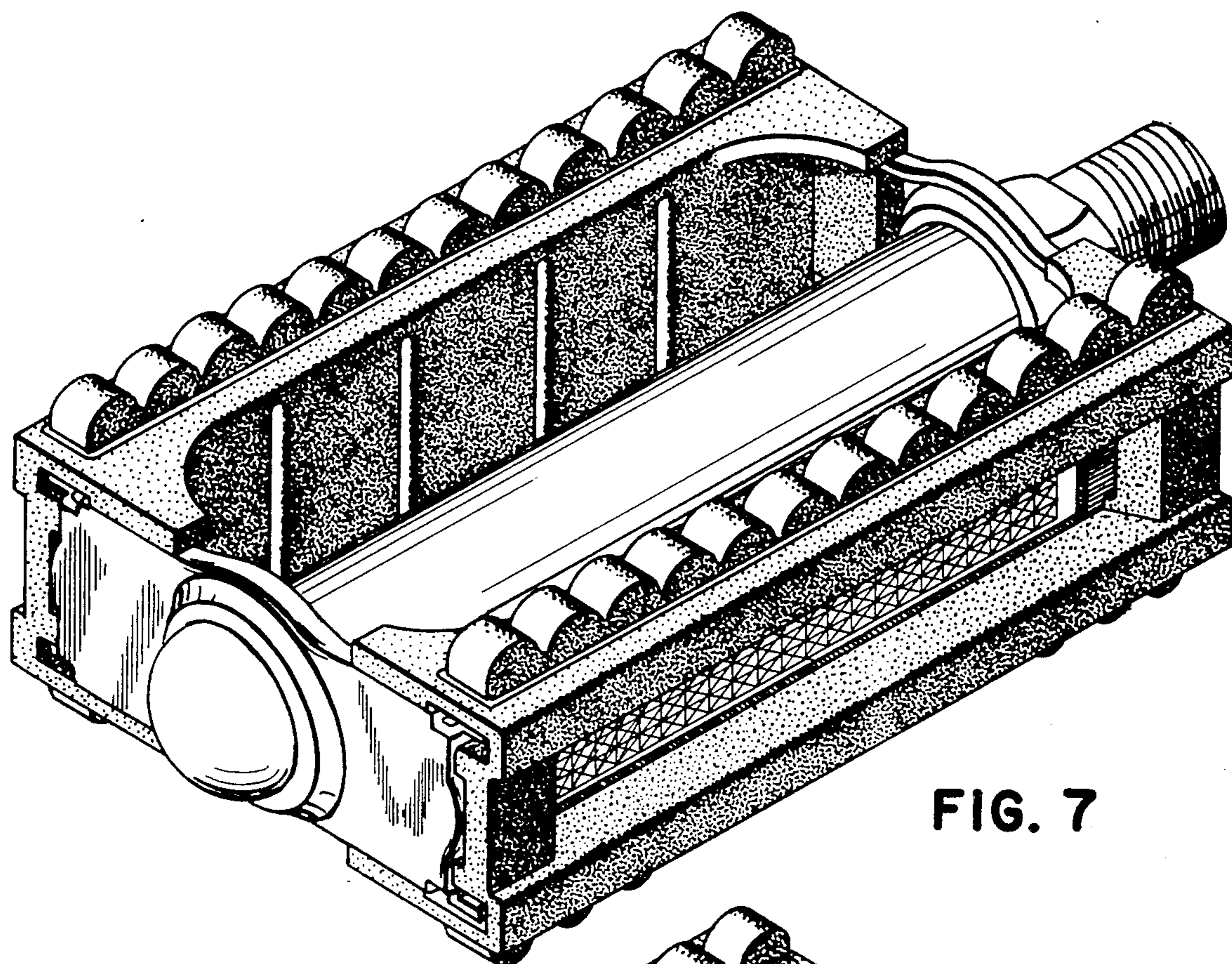


FIG. 7

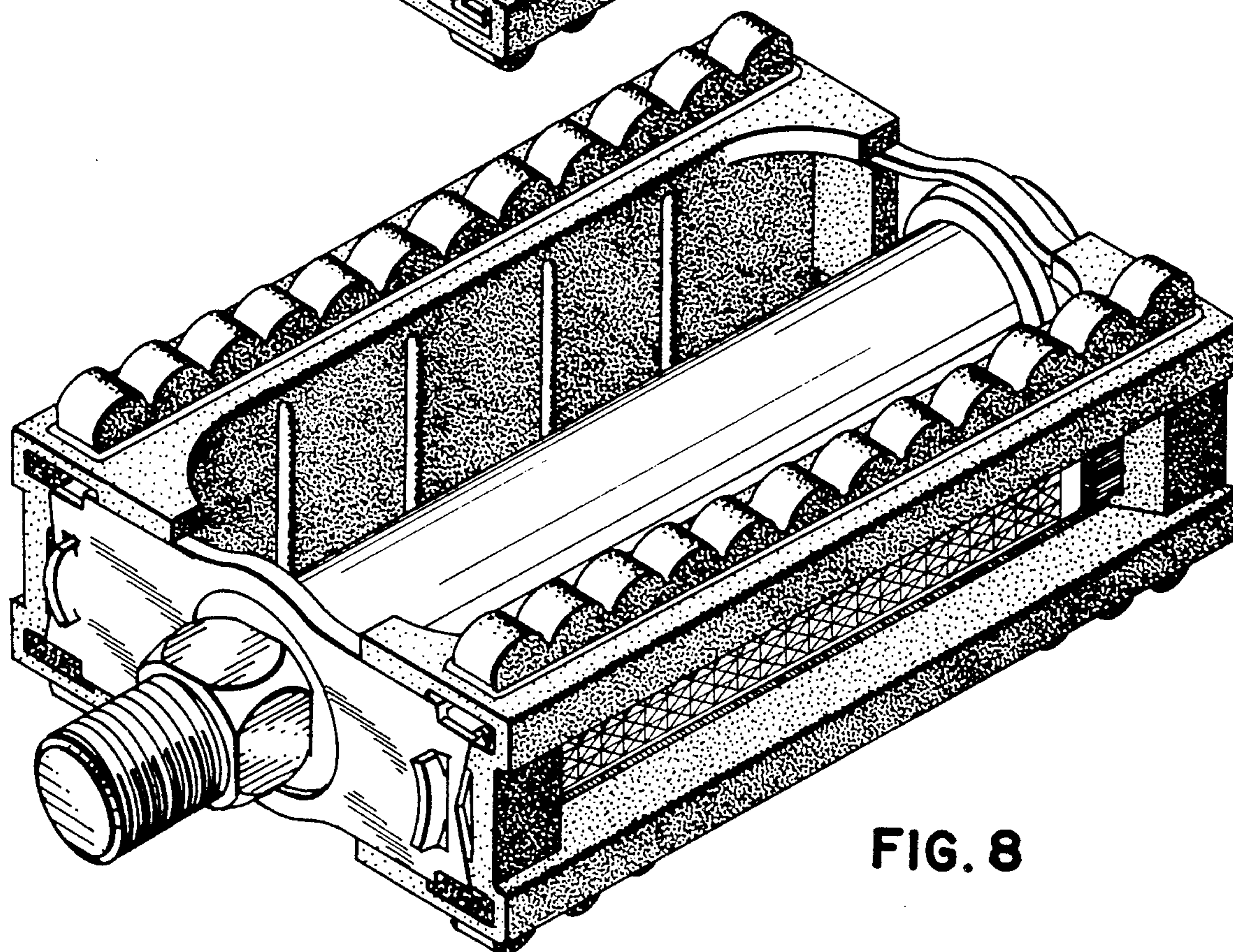


FIG. 8

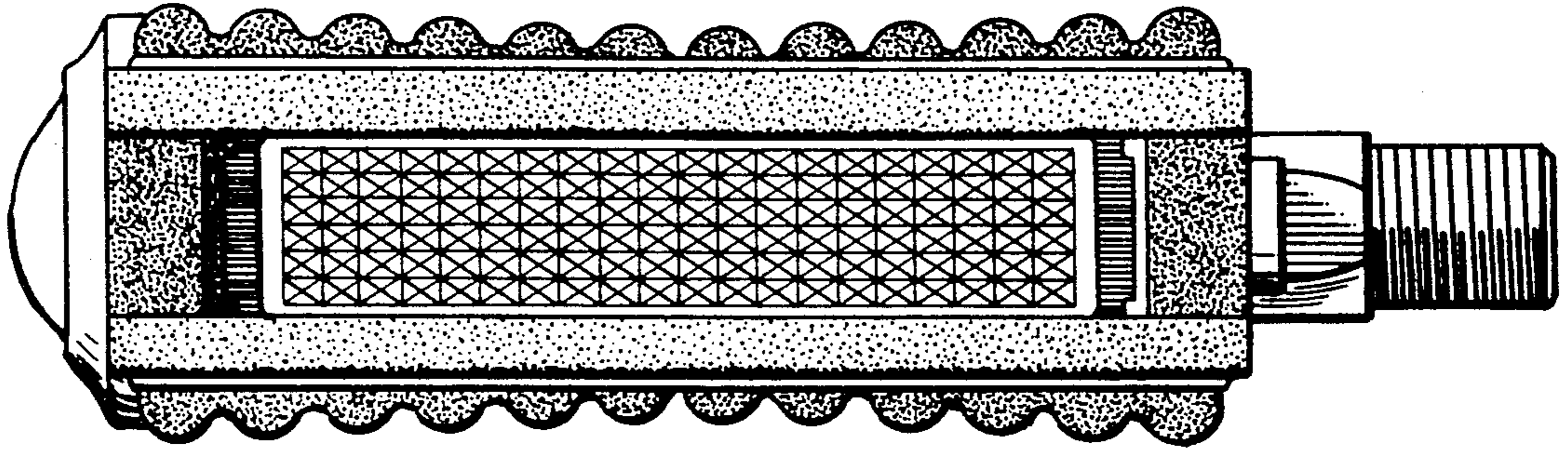


FIG. 9

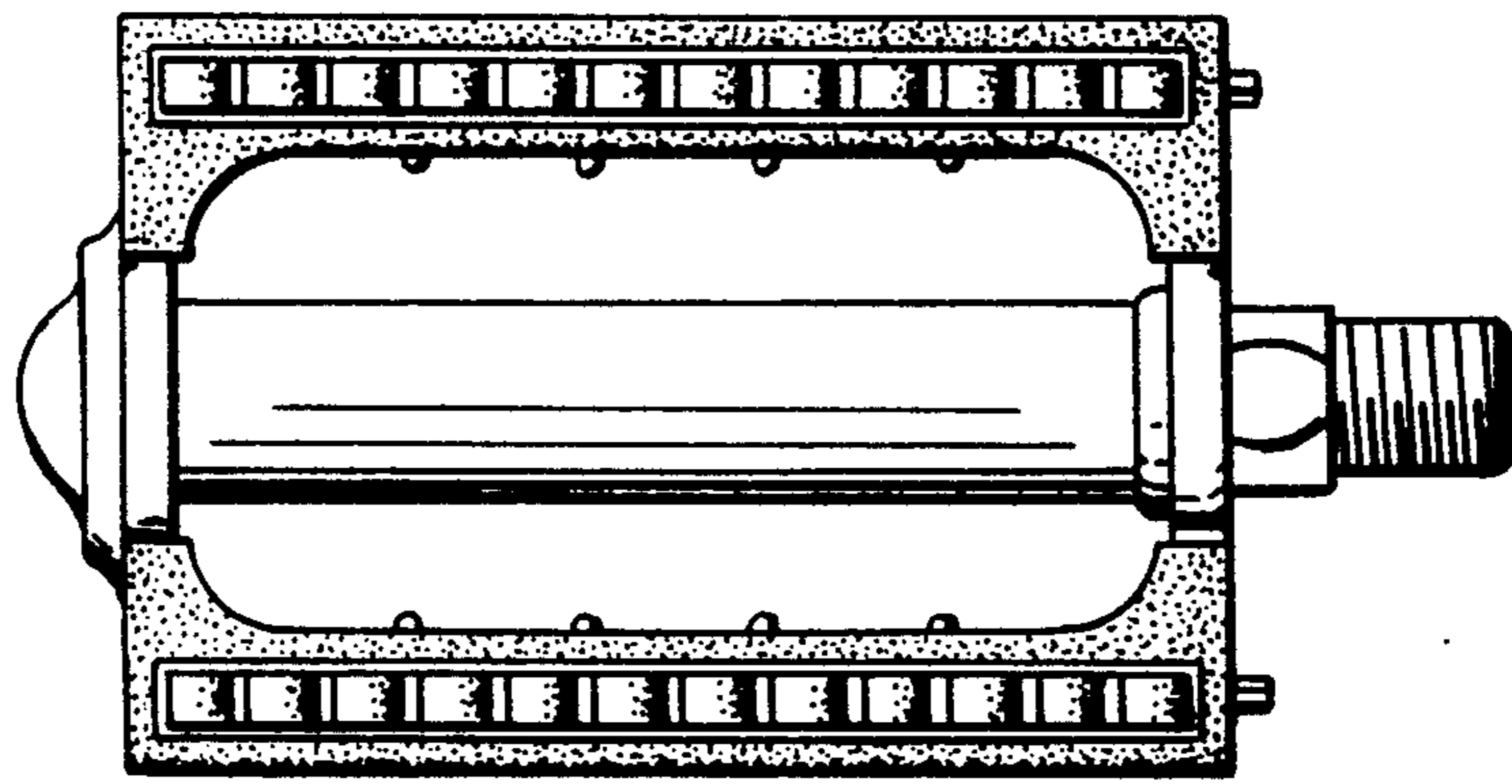


FIG. 10

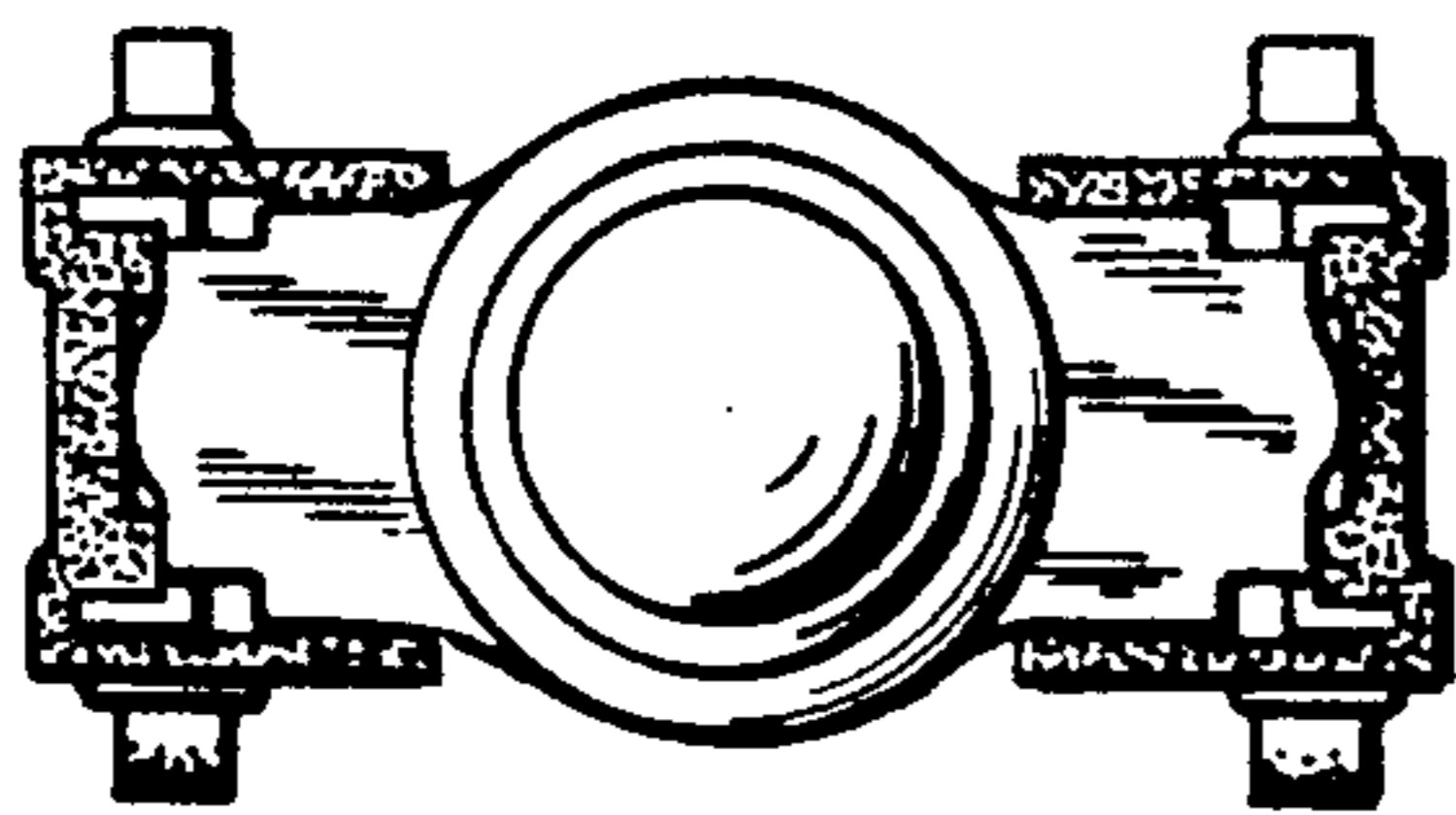


FIG. 11

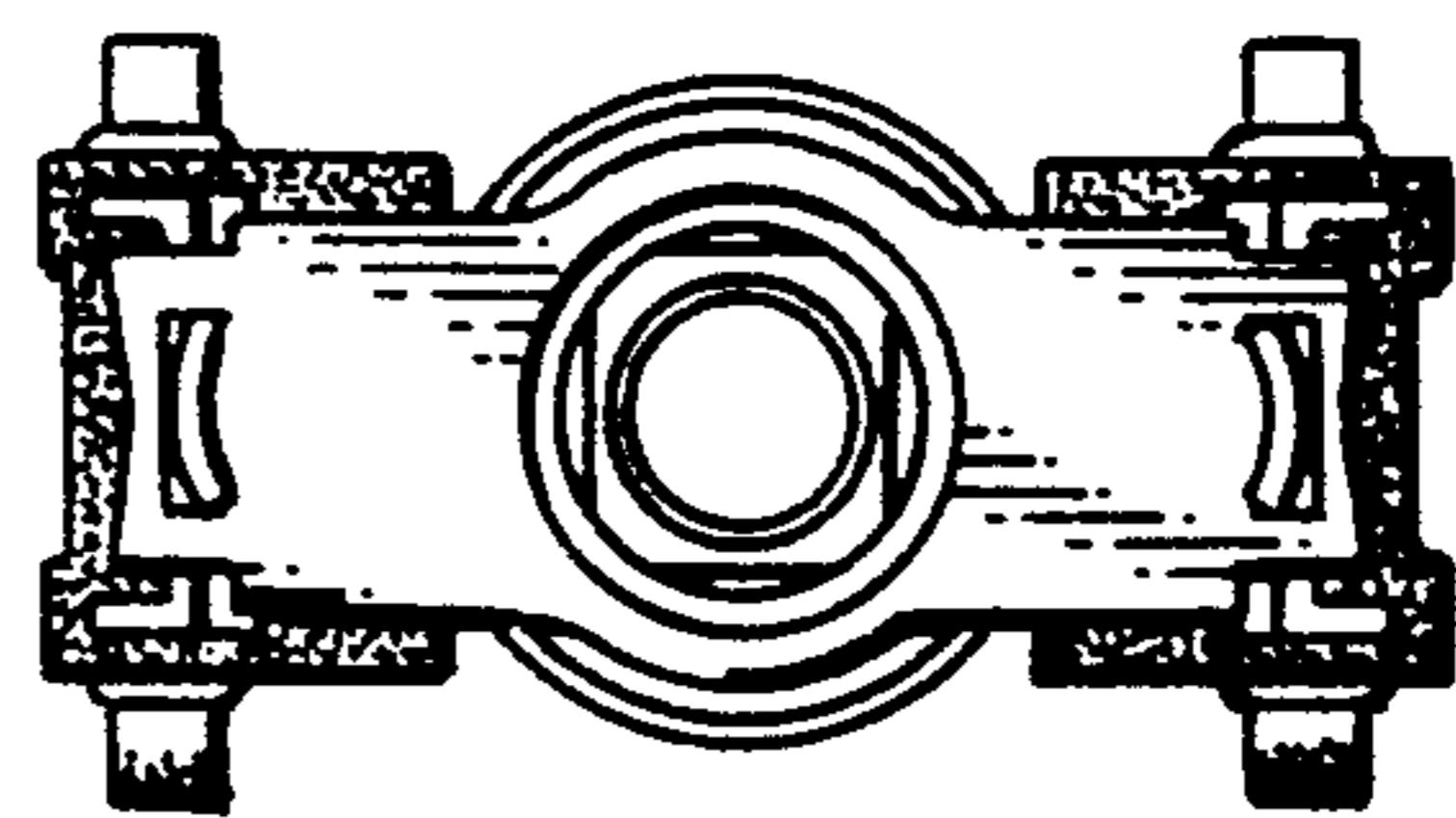


FIG. 12