

[54] TRUCK FOR A RAIL TRAVERSING CAR

[75] Inventor: Joseph L. O'Lear, Irwin, Pa.

[73] Assignee: Huwood-Irwin Co., Irwin, Pa.

[**] Term: 14 Years

[21] Appl. No.: 487,030

[22] Filed: Apr. 21, 1983

[52] U.S. Cl. D12/46

[58] Field of Search D12/46; 105/182 R, 206 R

[56] References Cited

FOREIGN PATENT DOCUMENTS

1139387 2/1957 France 105/182 R

Primary Examiner—James M. Gandy

[57] CLAIM

The ornamental design for a truck for a rail traversing car, as shown and described.

DESCRIPTION

FIG. 1 is a perspective view of a truck for a rail traversing car showing the top, front and one side of the ornamental design.

FIG. 2 is a perspective view thereof showing the top, rear and opposite side to that shown in FIG. 1 on a reduced scale, it being understood that the broken lines are for illustrative purposes only.

The bottom of the truck is understood to be flat and unornamented.

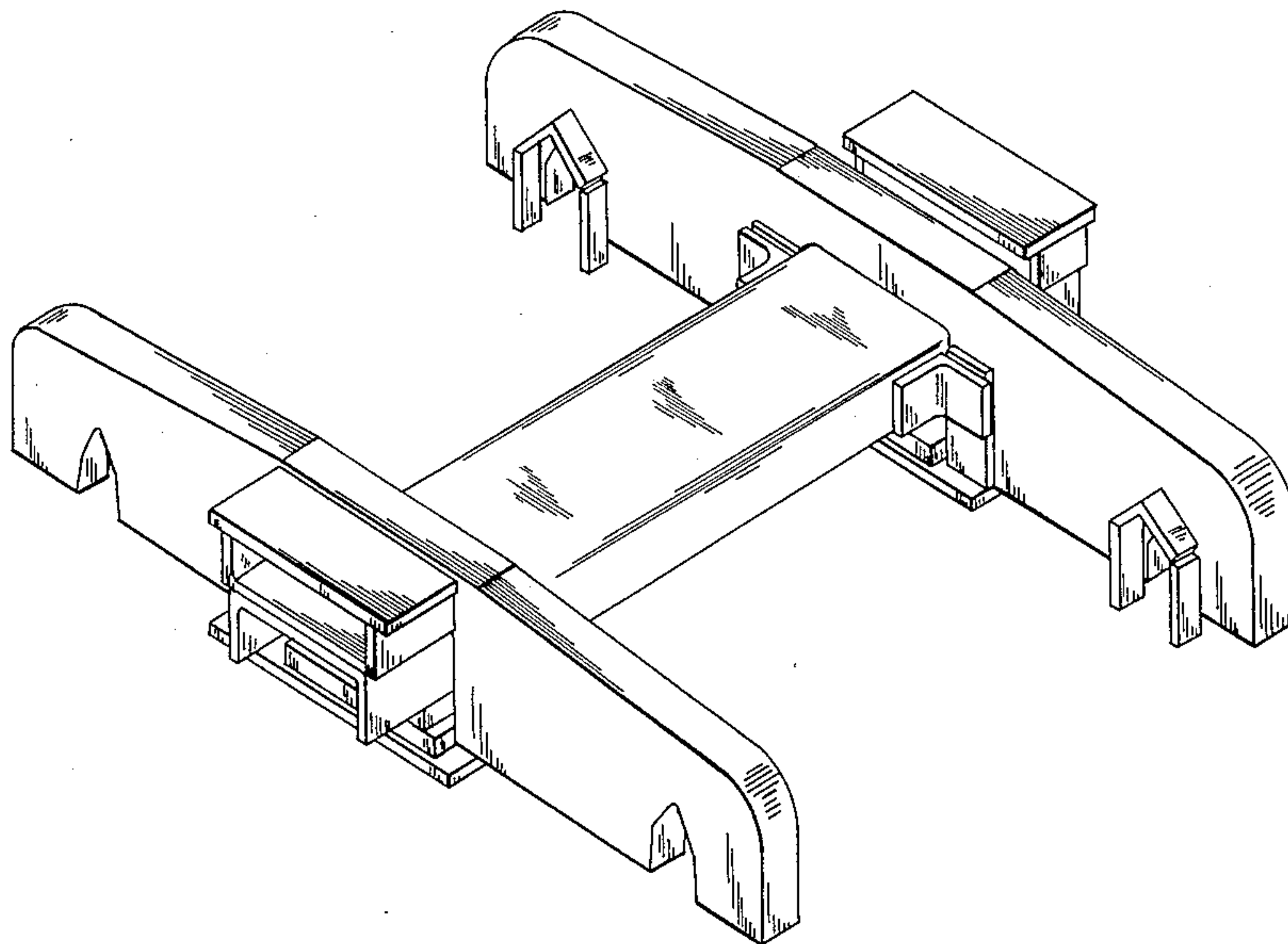


FIG. 1

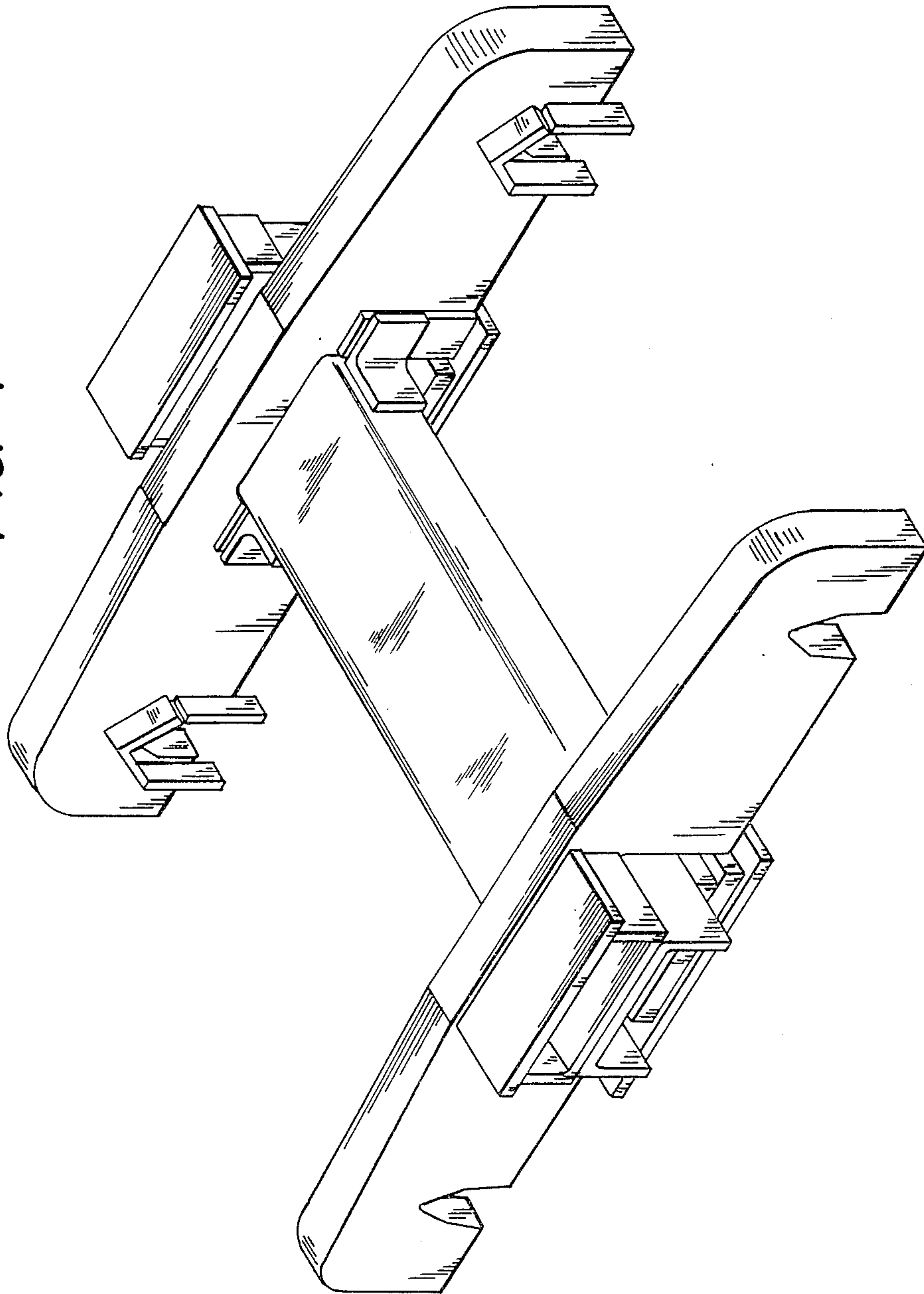


FIG. 2

