

[54] WARNING LIGHT SYSTEM FOR VEHICLES

[75] Inventor: Robert A. Ferenc, Middletown, Conn.

[73] Assignee: Whelen Engineering Co Inc., Deep River, Conn.

[\*\*] Term: 14 Years

[21] Appl. No.: 565,298

[22] Filed: Dec. 27, 1983

[52] U.S. Cl. .... D10/114; D26/35

[58] Field of Search ..... 362/61, 74, 80, 82, 362/83; D10/114; D26/28, 29, 30, 31, 34, 35; 340/81 R, 84, 87, 90-95

[56] References Cited

U.S. PATENT DOCUMENTS

D. 249,250 9/1978 Peirish, Jr. .... D10/114

D. 254,603 4/1980 Gosswiller ..... D10/114  
D. 262,659 1/1982 Latta et al. .... D10/114 X  
4,058,794 11/1977 Menke ..... 340/84 X  
4,224,599 9/1980 Peirish, Jr. et al. .... 340/84

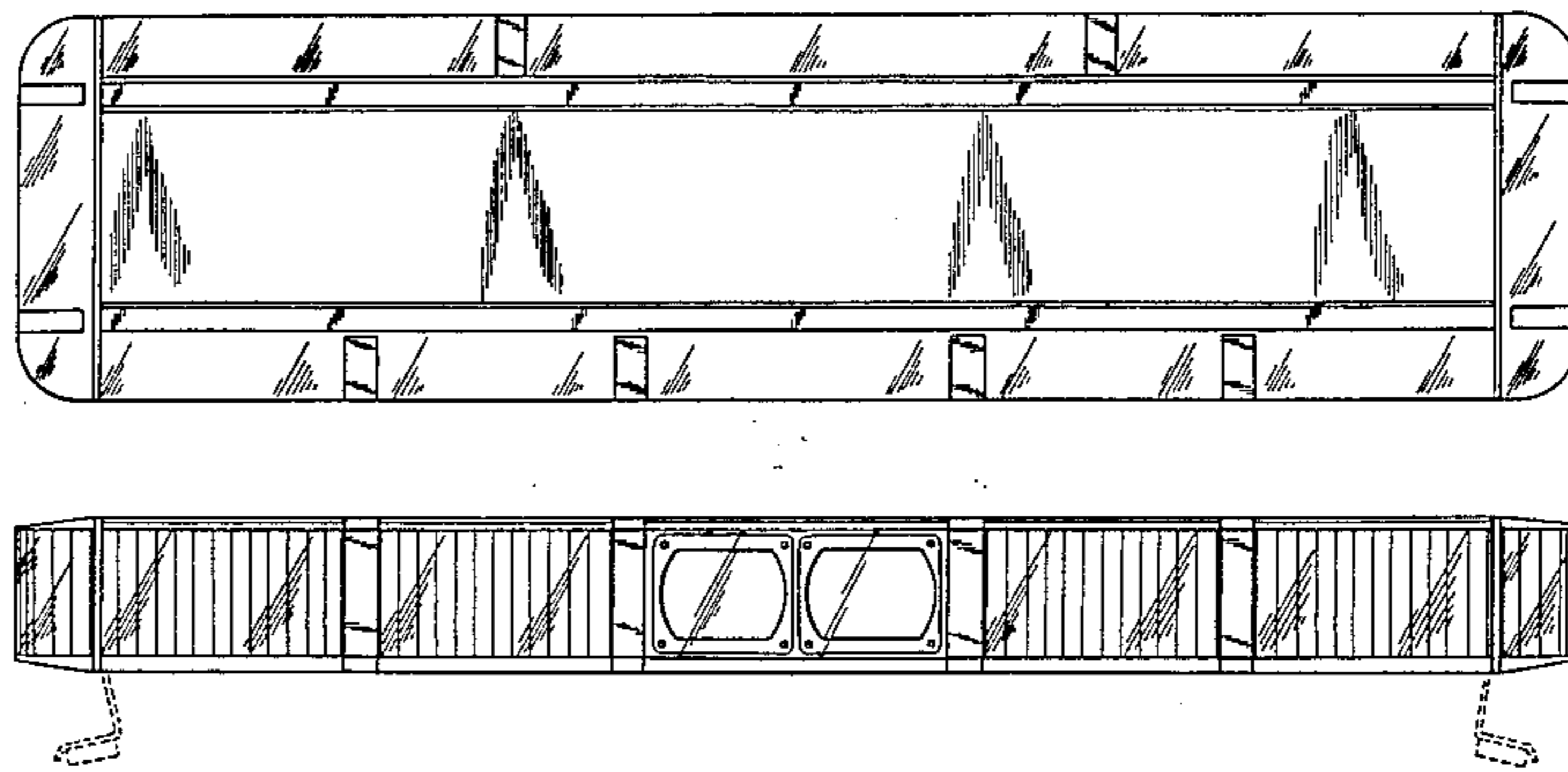
Primary Examiner—Susan J. Lucas

[57] CLAIM

The ornamental design for the warning light system for vehicles substantially, as shown and described.

DESCRIPTION

FIG. 1 is a top plan view of a warning light system for vehicles showing my new design; FIG. 2 is a front elevational view thereof; FIG. 3 is a bottom view thereof; FIG. 4 is a rear elevational view thereof; and FIG. 5 is a side elevational view thereof, the opposite side being a mirror image. The system brackets are shown in broken lines for illustrative purposes only.



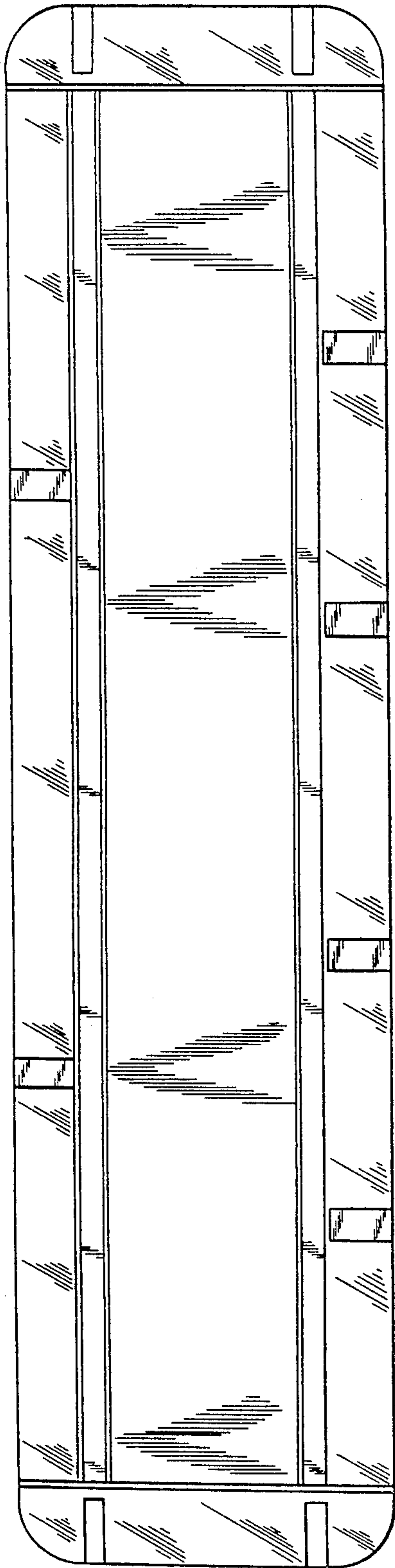


FIG. 1

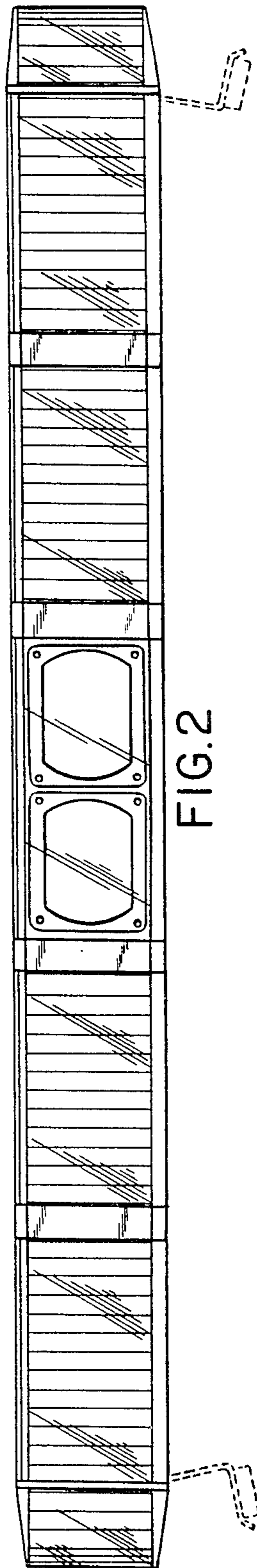


FIG. 2

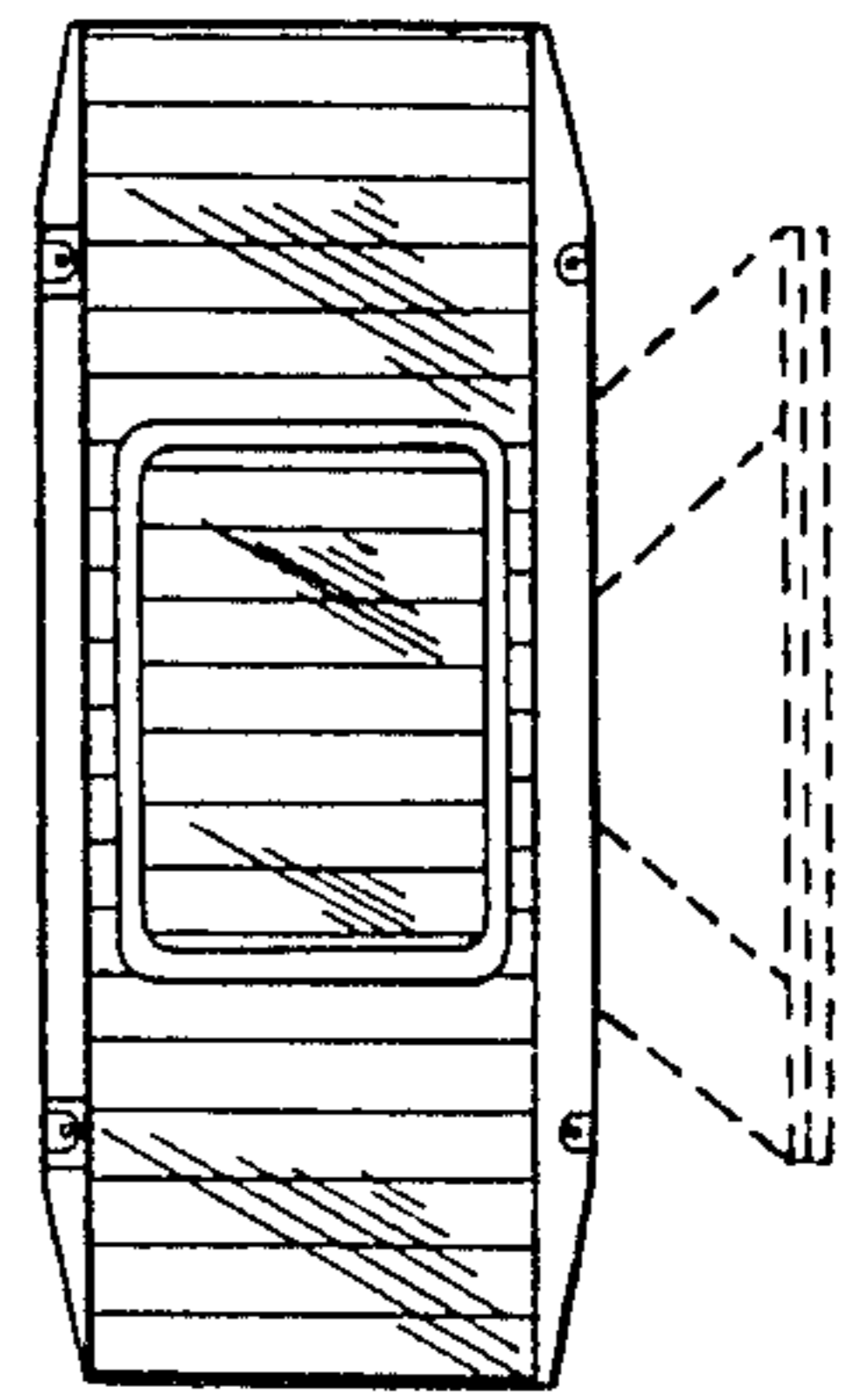


FIG. 5

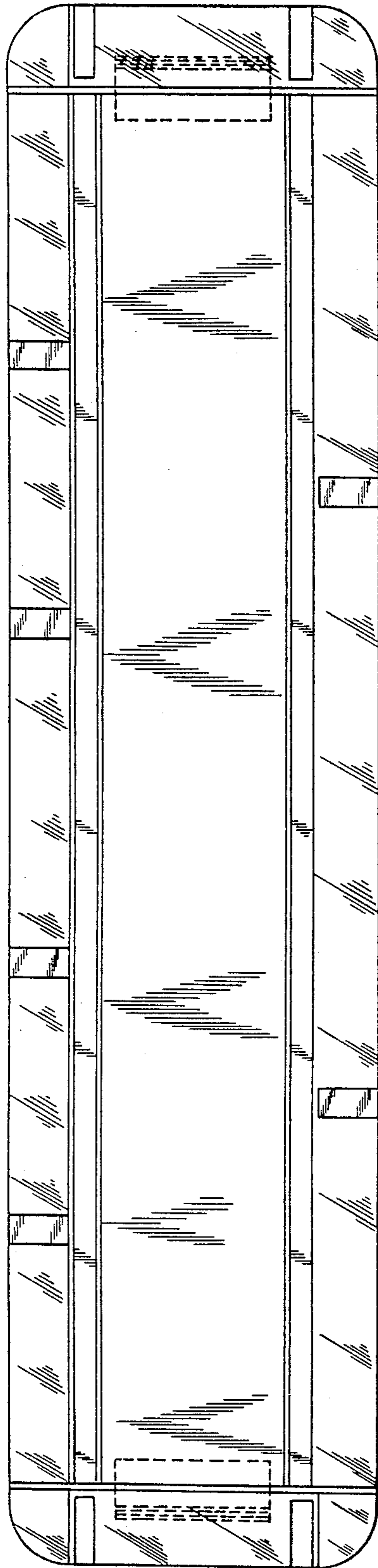


FIG. 3

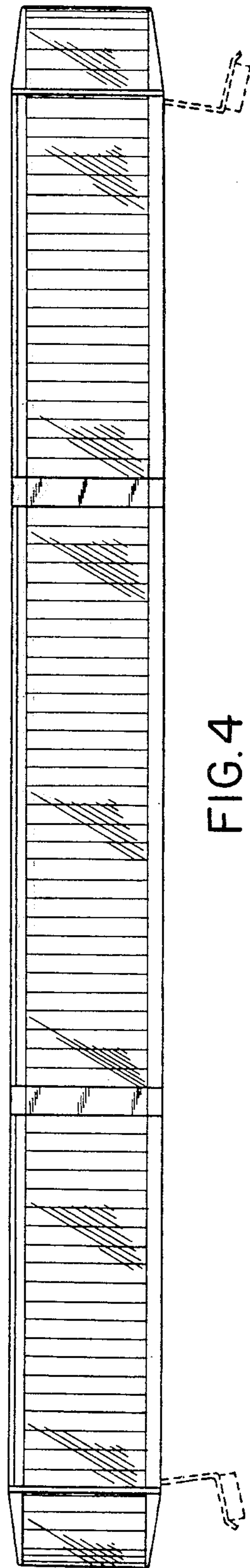


FIG. 4