

United States Patent [19]

Schornagel

[11] Patent Number: **Des. 284,555**

[45] Date of Patent: **** Jul. 8, 1986**

[54] CAP FOR BOTTLE

[75] Inventor: **Pieter Schornagel, Hattem, Netherlands**

[73] Assignee: **Lever Brothers Company, New York, N.Y.**

[**] Term: **14 Years**

[21] Appl. No.: **539,858**

[22] Filed: **Oct. 7, 1983**

[30] Foreign Application Priority Data

Apr. 11, 1983 [XH] Hague DM/002425

[52] U.S. Cl. **D9/453**

[58] Field of Search D9/453, 435, 434, 302, D9/352, 445; 215/329, 320, 317, 216

[56] References Cited

U.S. PATENT DOCUMENTS

D. 208,508 9/1967 Klein D9/453

D. 264,939 6/1982 Stock D9/352

D. 276,700 12/1984 Brown et al. D9/445 X

D. 278,311 4/1985 Brown et al. D9/445 X

2,765,960 10/1956 Soffer et al. 215/317 X

3,521,795 7/1970 Langhjelm et al. D9/302 X

3,612,323 10/1971 Malick 215/216 X

Primary Examiner—Bernard Ansher

Assistant Examiner—Linda Titolo

Attorney, Agent, or Firm—James J. Farrell; Lynne

Darcy

[57] CLAIM

The ornamental design for a cap for bottle, substantially as shown and described.

DESCRIPTION

FIG. 1 is a top perspective view of a cap for bottle, showing my new design;

FIG. 2 is a bottom plan view thereof;

FIG. 3 is a side elevational view thereof, the opposite side being a mirror image thereof; and

FIG. 4 is a cross-sectional view thereof taken on line 4/4 of FIG. 2.

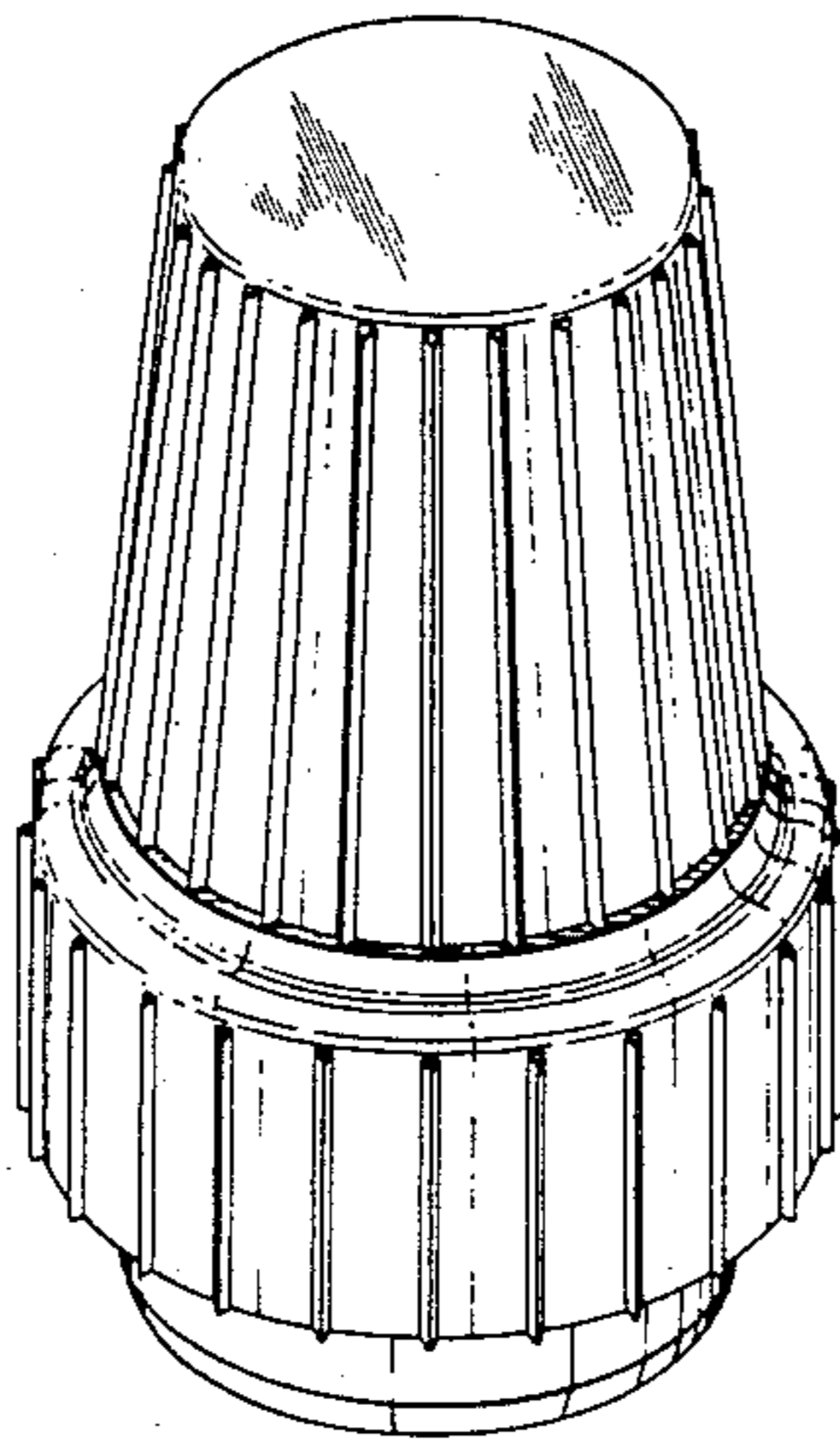


Fig. 1.

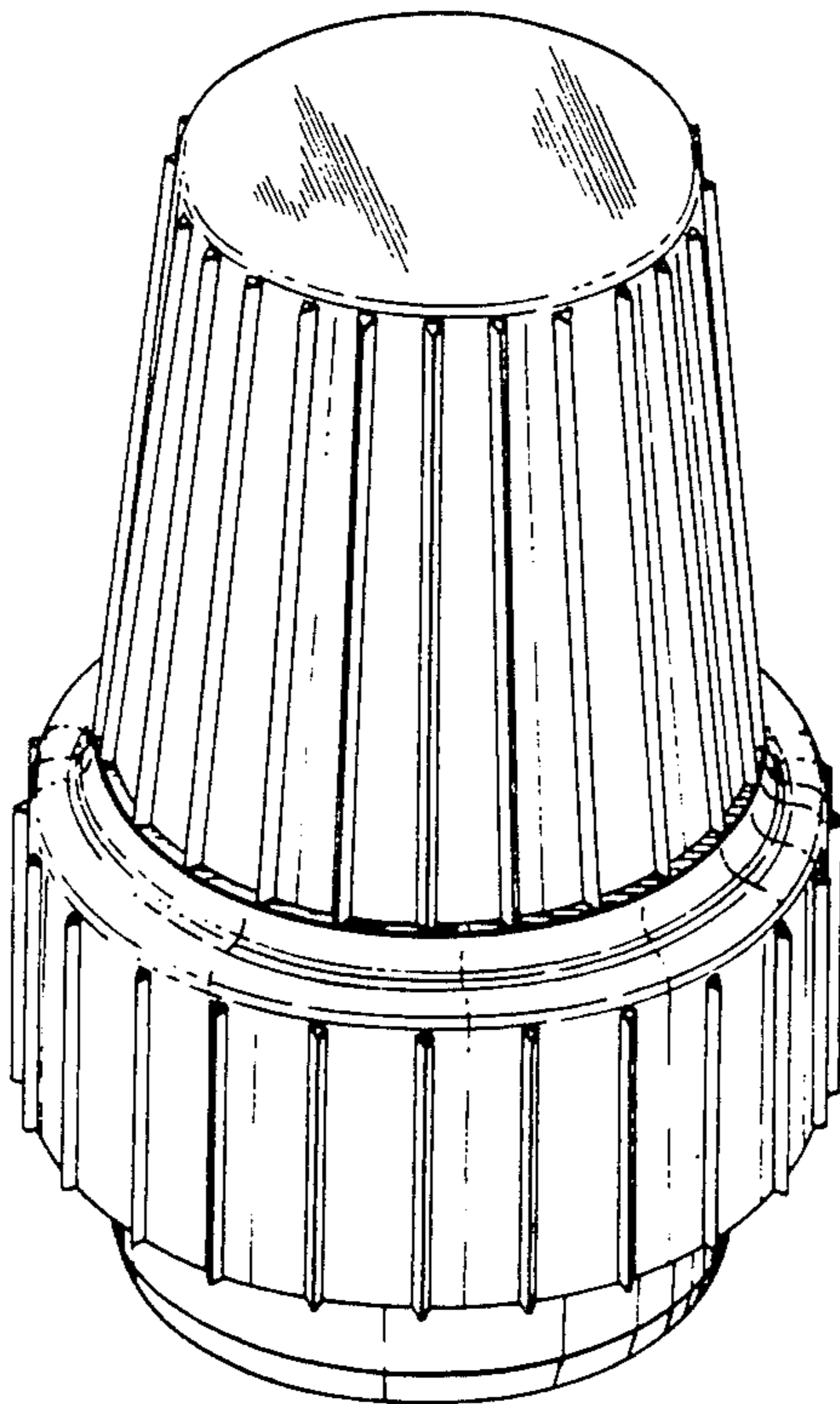
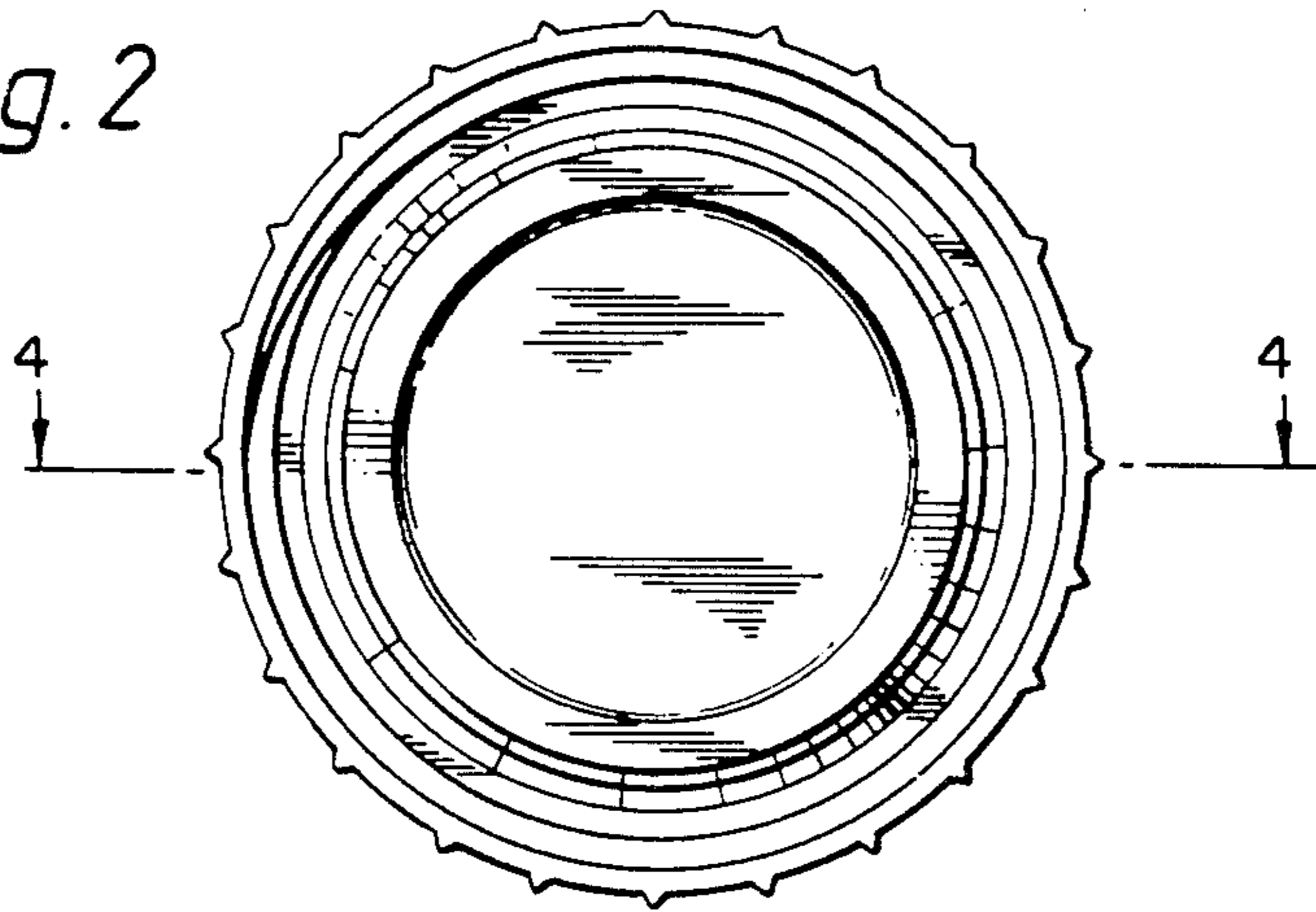


Fig. 2



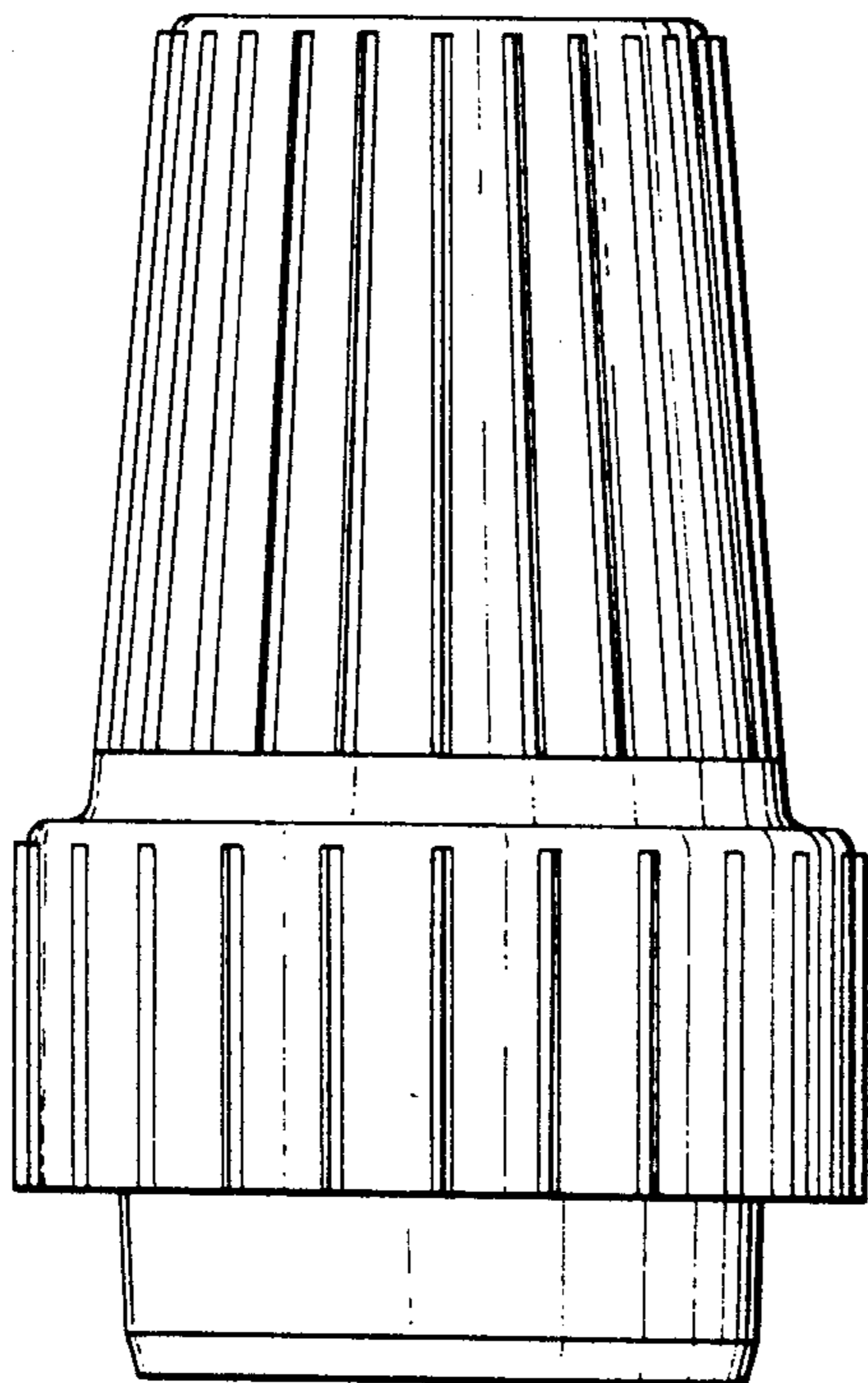


Fig. 3.

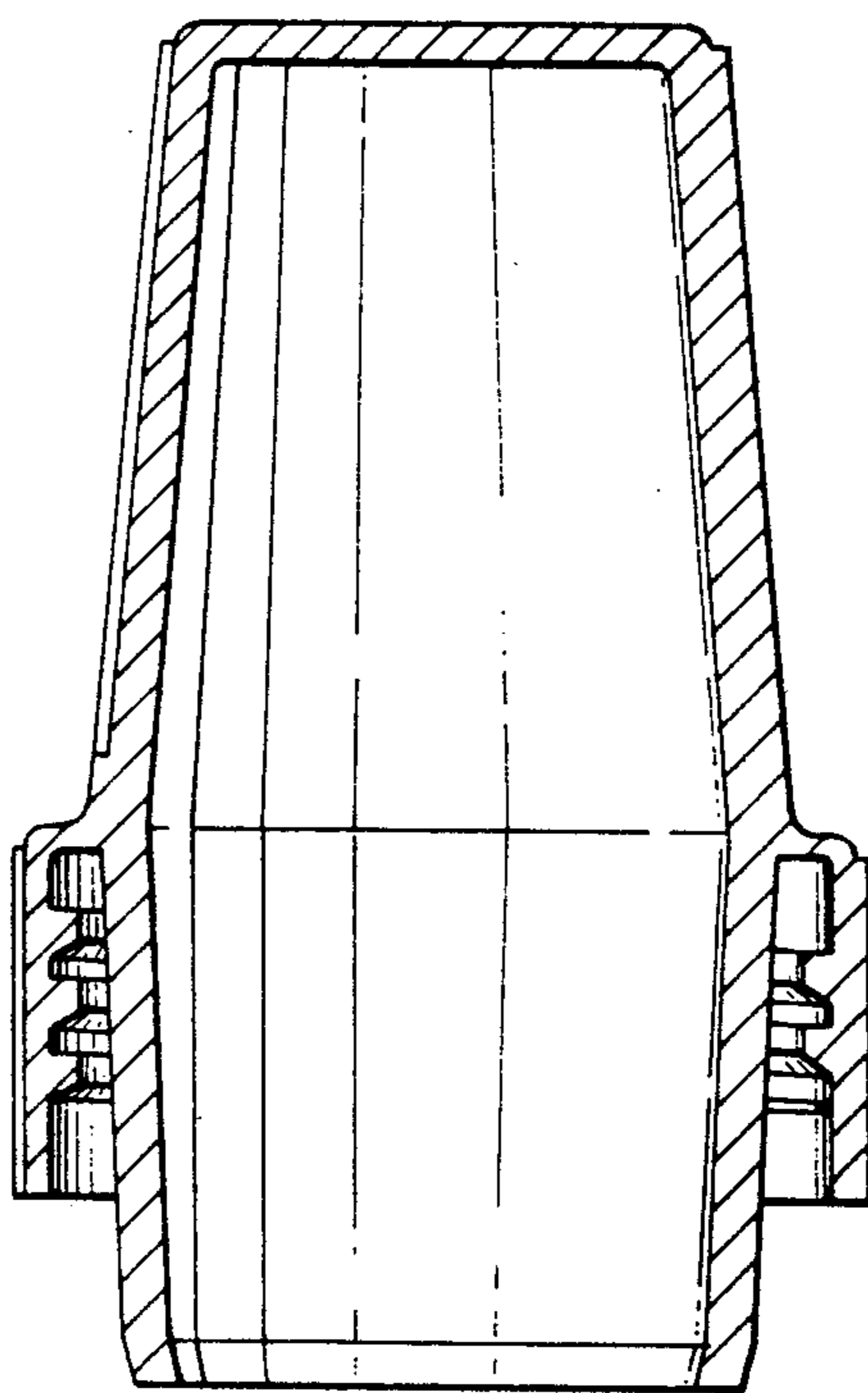


Fig. 4.