

[54] LOCKABLE HOLDER FOR CONTAINERS

[76] Inventor: Treesa A. Spencer, 2818 S. Diamond, Santa Ana, Calif. 92704

[\*\*] Term: 14 Years

[21] Appl. No.: 555,830

[22] Filed: Nov. 28, 1983

[52] U.S. Cl. .... D8/373

[58] Field of Search ..... D8/330, 331, 373; 248/95, 99, 100, 101, 311.2, 313, 550; D34/5

[56] References Cited

U.S. PATENT DOCUMENTS

3,747,298	7/1973	Lieberman	.....	248/100
3,861,630	1/1975	Ady	.....	248/101
3,912,208	10/1975	Grevetier	.....	248/101
4,223,858	9/1980	de Salazar	.....	248/101
4,488,697	12/1984	Garvey	.....	248/101

Primary Examiner—B. J. Bullock  
Assistant Examiner—Suzanne N. Gitlin  
Attorney, Agent, or Firm—Edgar W. Averill, Jr.

[57] CLAIM

The ornamental design for a lockable holder for containers, as shown.

DESCRIPTION

FIG. 1 is an exploded top, front and left-side perspective view of a lockable holder for containers showing my new design;  
FIG. 2 is a bottom, rear and right-side perspective view of the bracket shown separated for ease of illustration;  
FIG. 3 is a bottom plan view of FIG. 2;  
FIG. 4 is a side elevational view of the bracket taken from the right of FIG. 1, shown separated for ease of illustration;  
FIG. 5 is an end elevational view of the lock member shown separated for ease of illustration;  
FIG. 6 is a side elevational view of FIG. 5;  
FIG. 7 is an end elevational view of the pin member shown separated for ease of illustration;  
FIG. 8 is a reduced top, front and right-side perspective view of the bracket of FIG. 1 shown in assembled condition.

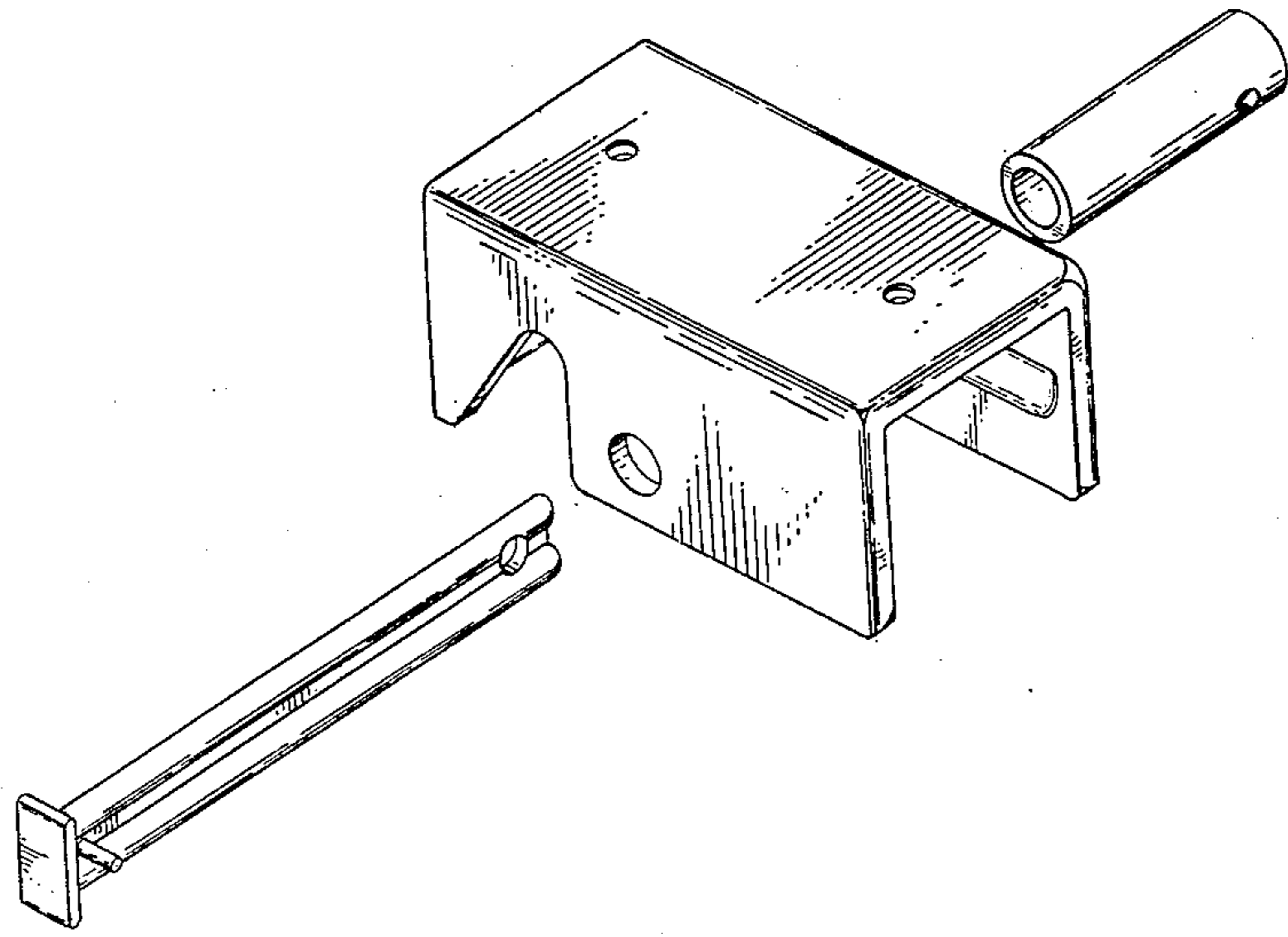


FIG. 1.

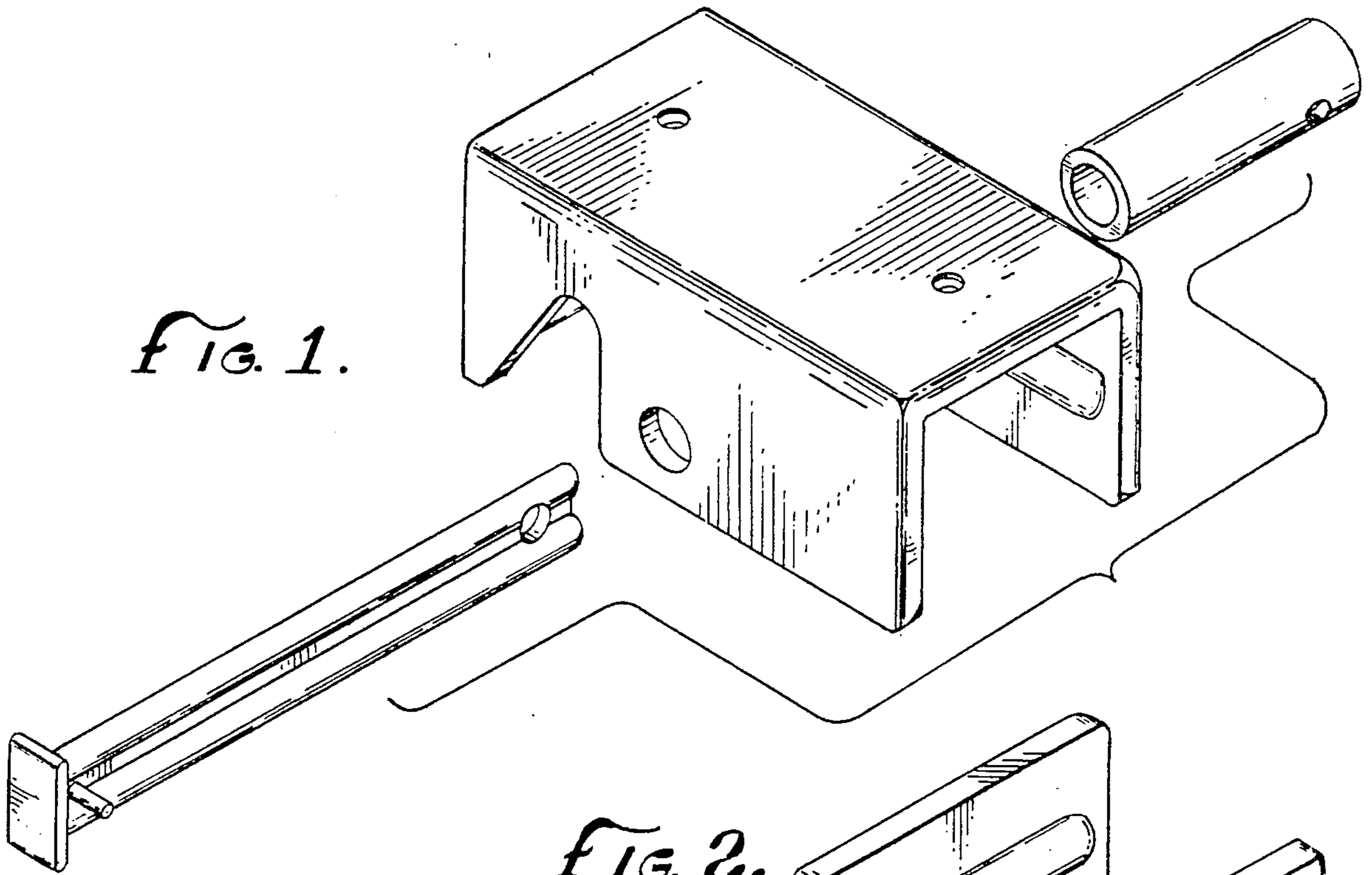


FIG. 2.

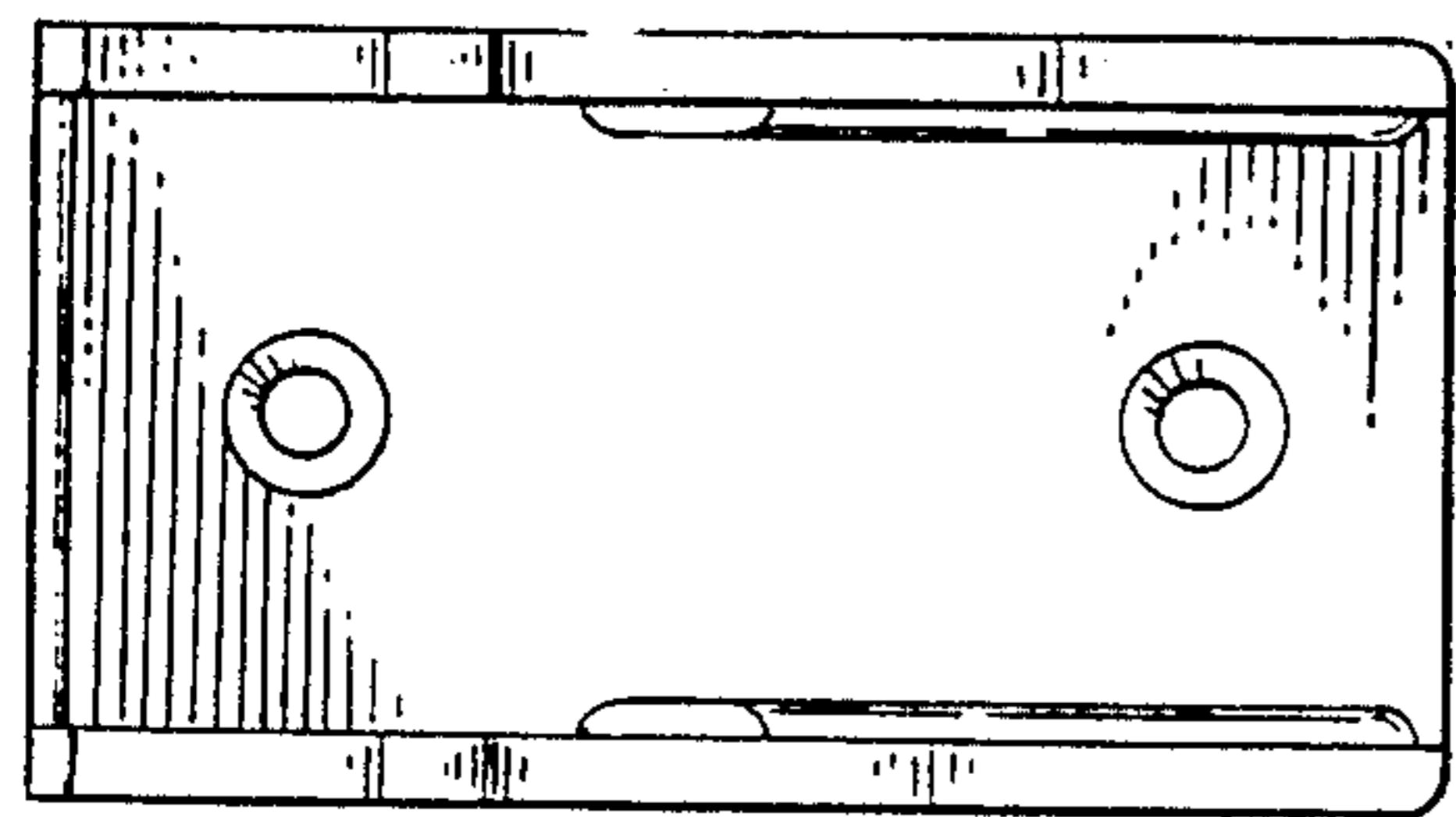
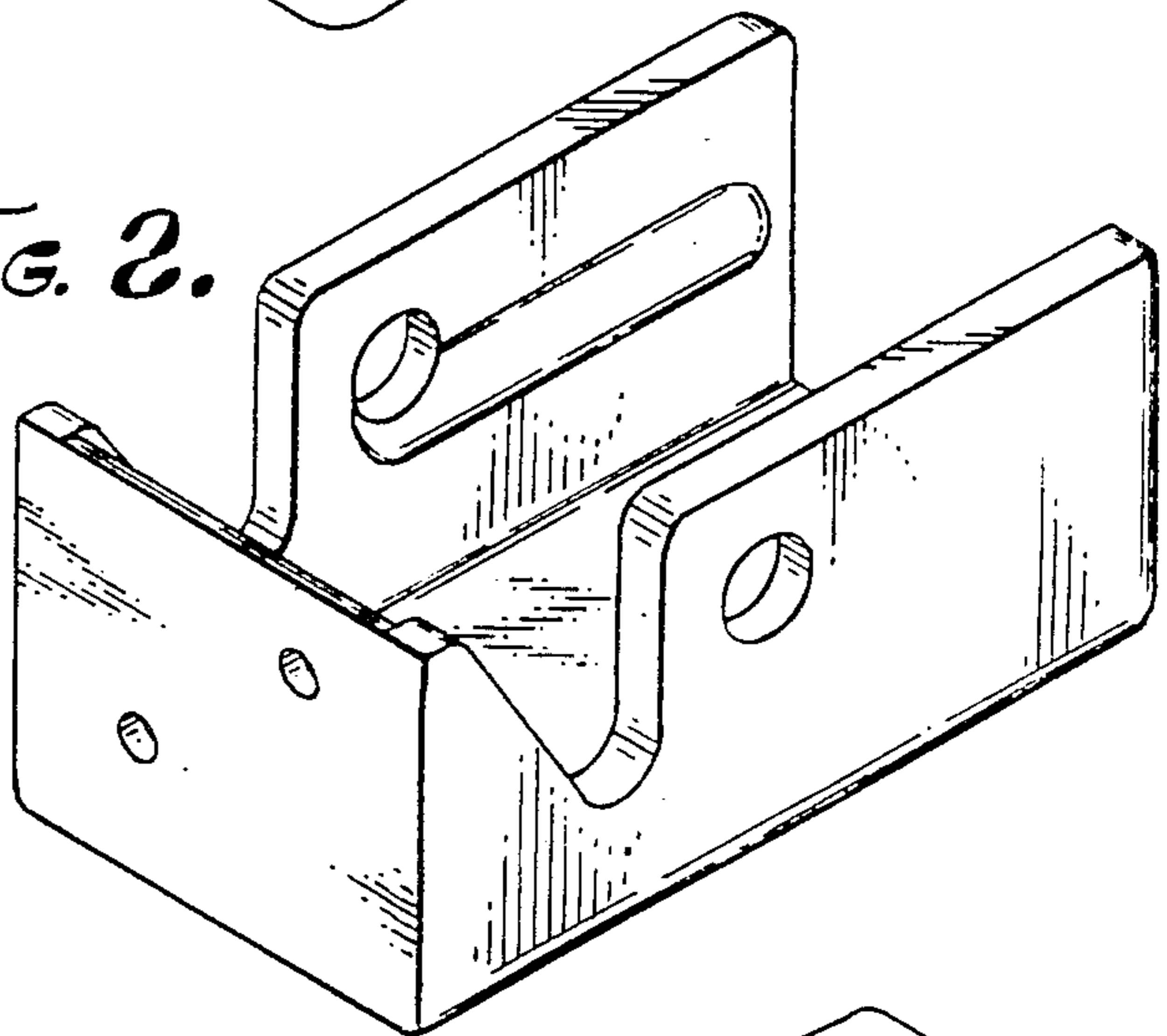


FIG. 3.

FIG. 8.

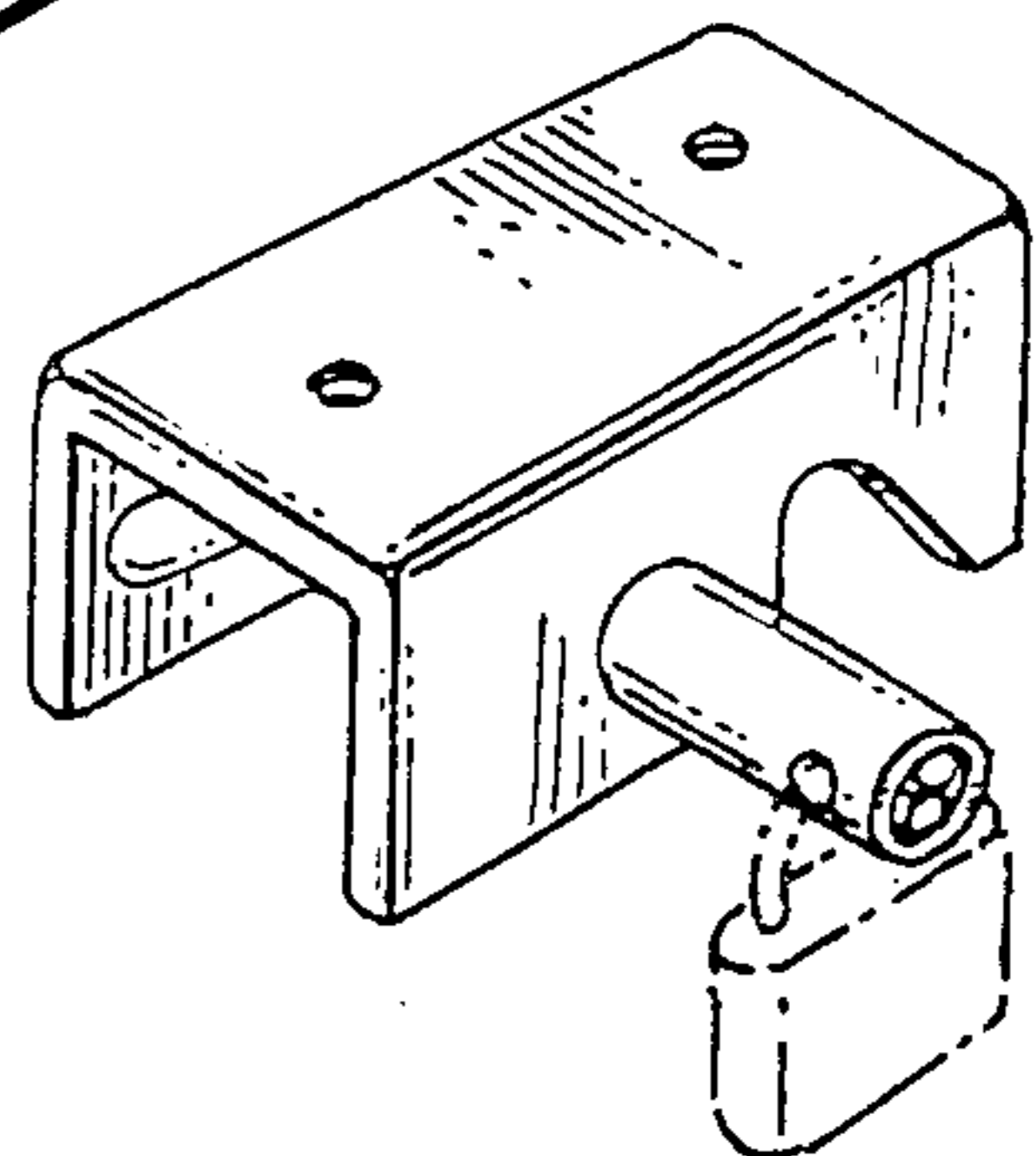


FIG. 5.

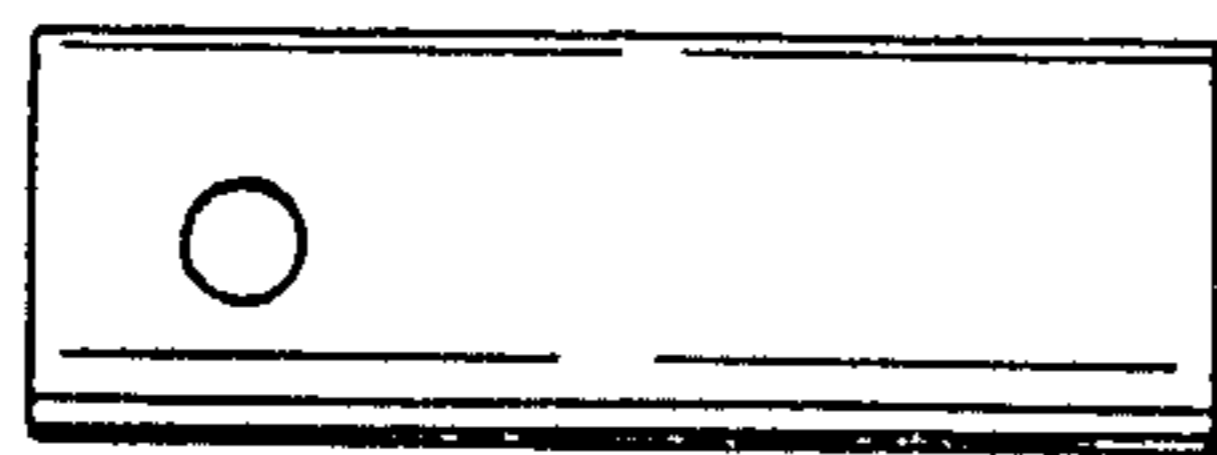


FIG. 6.

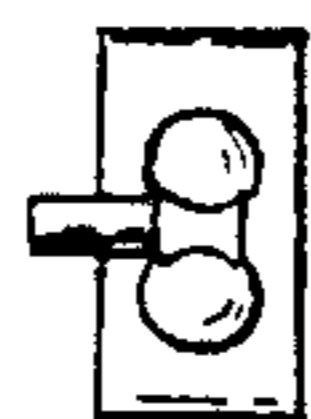


FIG. 7.

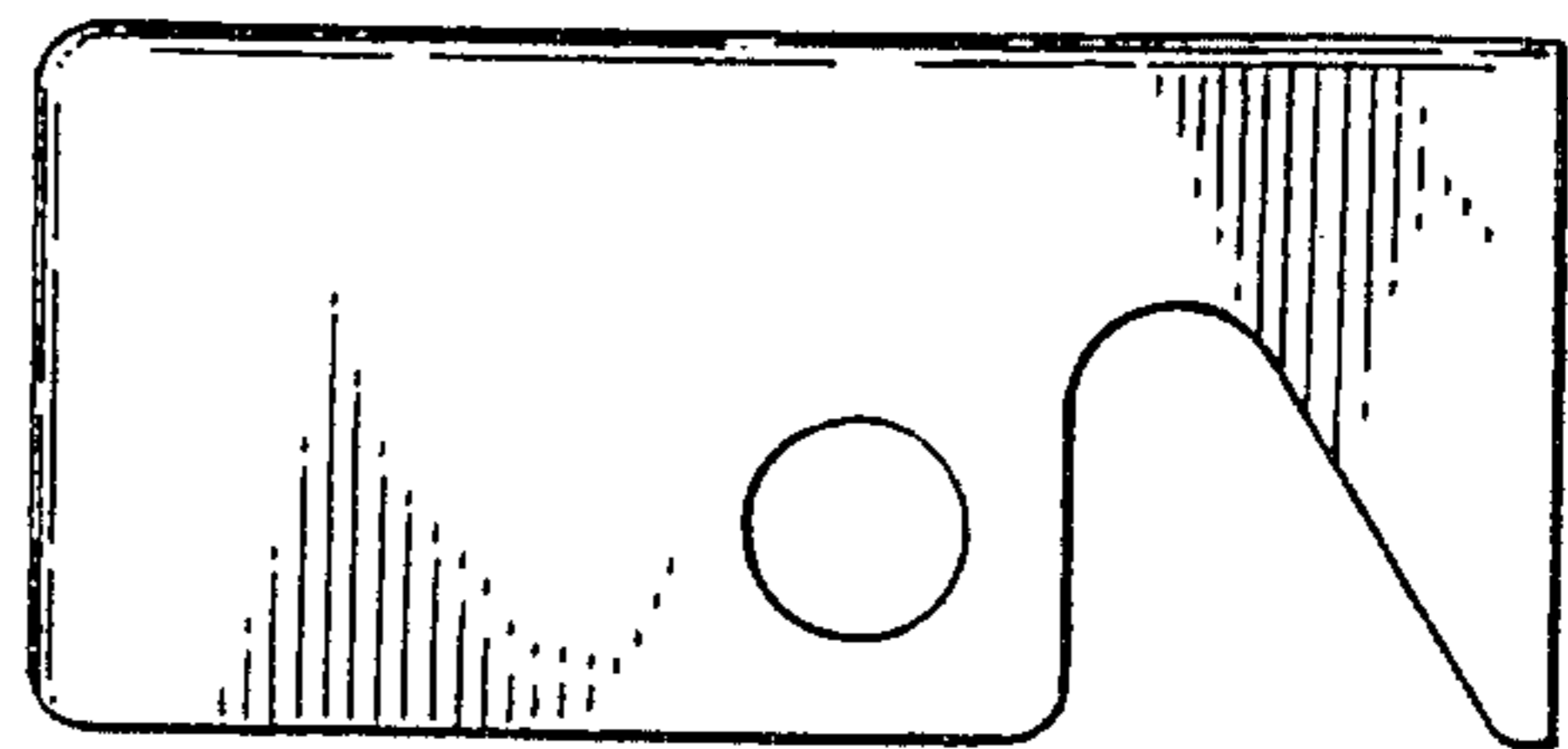


FIG. 4.