

[54] CUTTER

[75] Inventors: Hideki Kawakami, Ibara; Tetsuyuki Doi, Fukuyama, both of Japan

[73] Assignee: Ryobi Ltd, Tokyo, Japan

[**] Term: 14 Years

[21] Appl. No.: 478,077

[22] Filed: Mar. 23, 1983

[30] Foreign Application Priority Data

Oct. 12, 1982 [JP] Japan 57-46462

[52] U.S. Cl. D8/66; D8/62

[58] Field of Search D8/61, 62, 64, 66; 30/390, 391; 51/170 PT, 170 R

[56] References Cited

U.S. PATENT DOCUMENTS

D. 255,417 6/1980 Sakamoto et al. .

OTHER PUBLICATIONS

AEC Power Tool Corp, 1977, p. 31, 12" Cut-Elec Cut-off Machine #WSC2300, located in upper right corner.

Primary Examiner—B. J. Bullock
Assistant Examiner—Suzanne N. Gitlin
Attorney, Agent, or Firm—Frishauf, Holtz, Goodman & Woodward

[57] CLAIM

The ornamental design for a cutter, as shown and described.

DESCRIPTION

FIG. 1 is a front elevational view of a cutter showing our new design;

FIG. 2 is a rear elevational view thereof;

FIG. 3 is a top plan view thereof;

FIG. 4 is a bottom plan view thereof;

FIG. 5 is a right side elevational view thereof; and

FIG. 6 is a left side elevational view thereof.

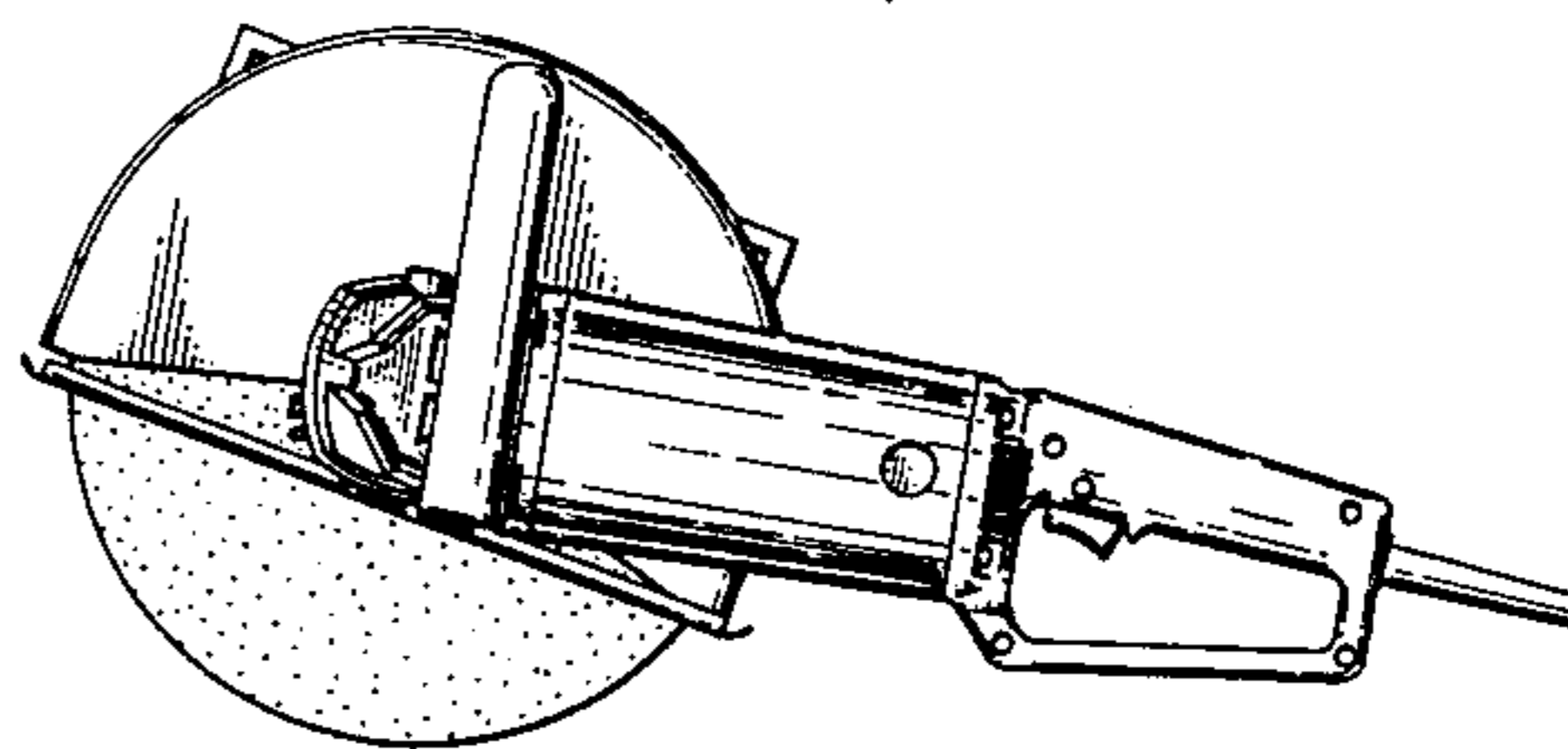
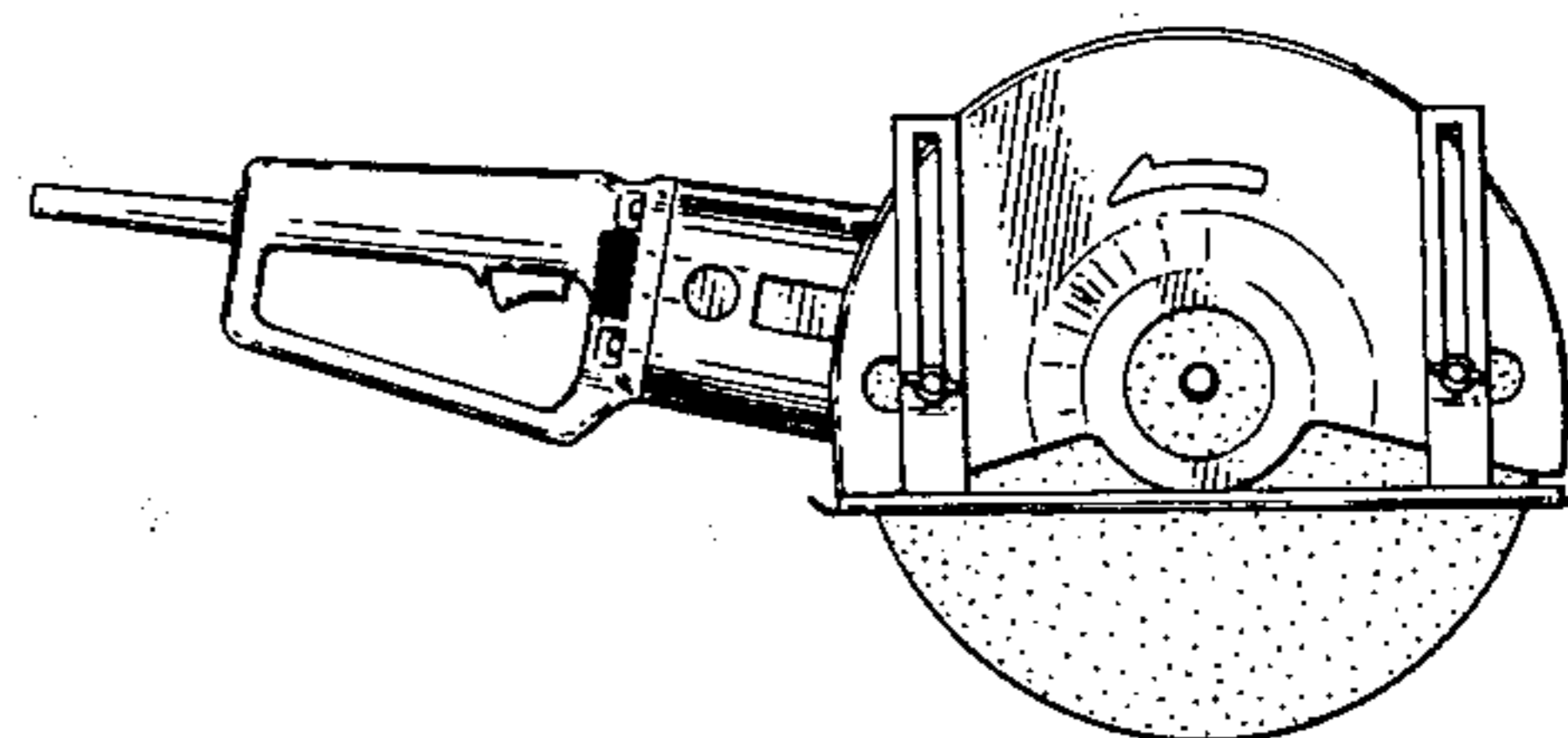
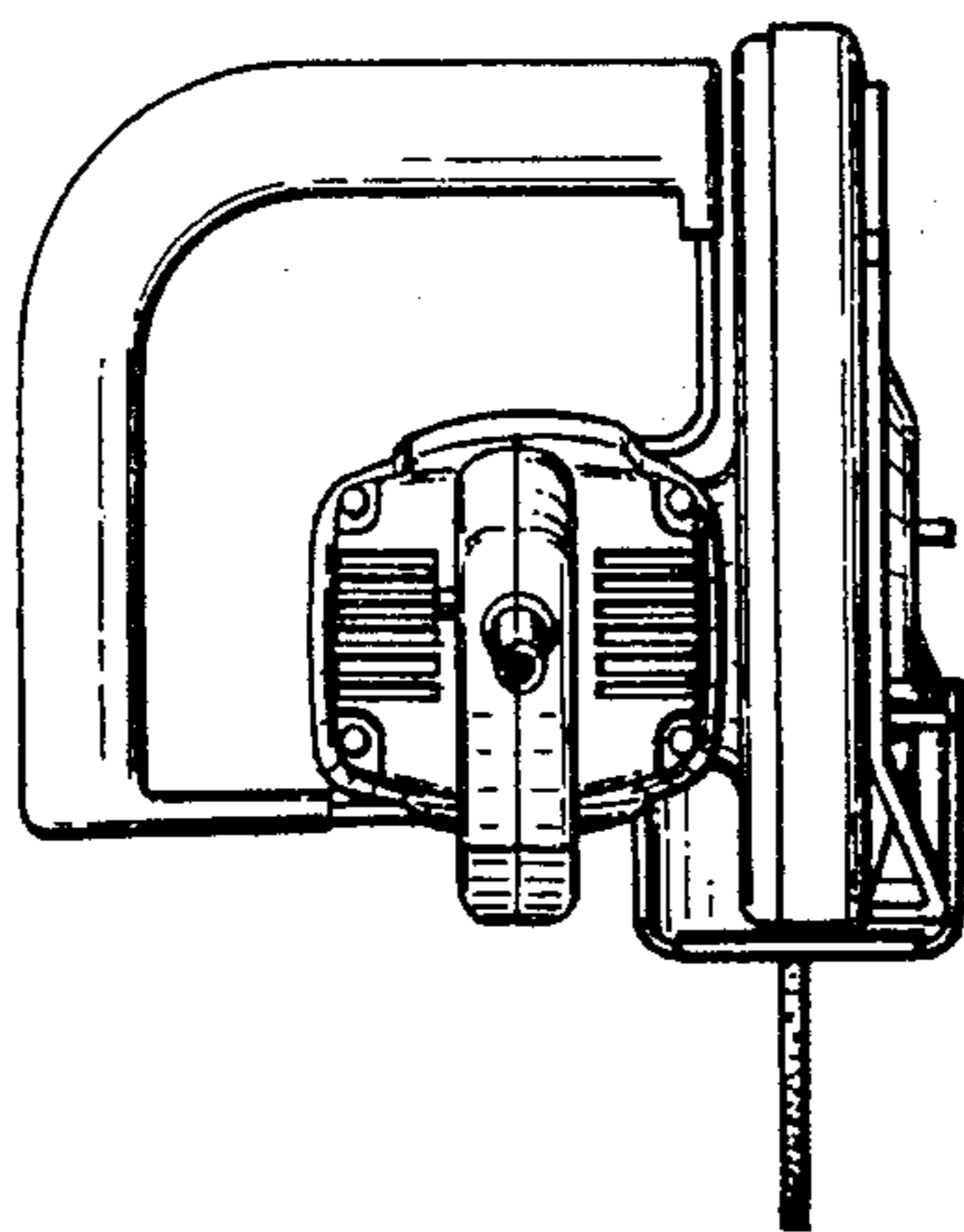


FIG. 1

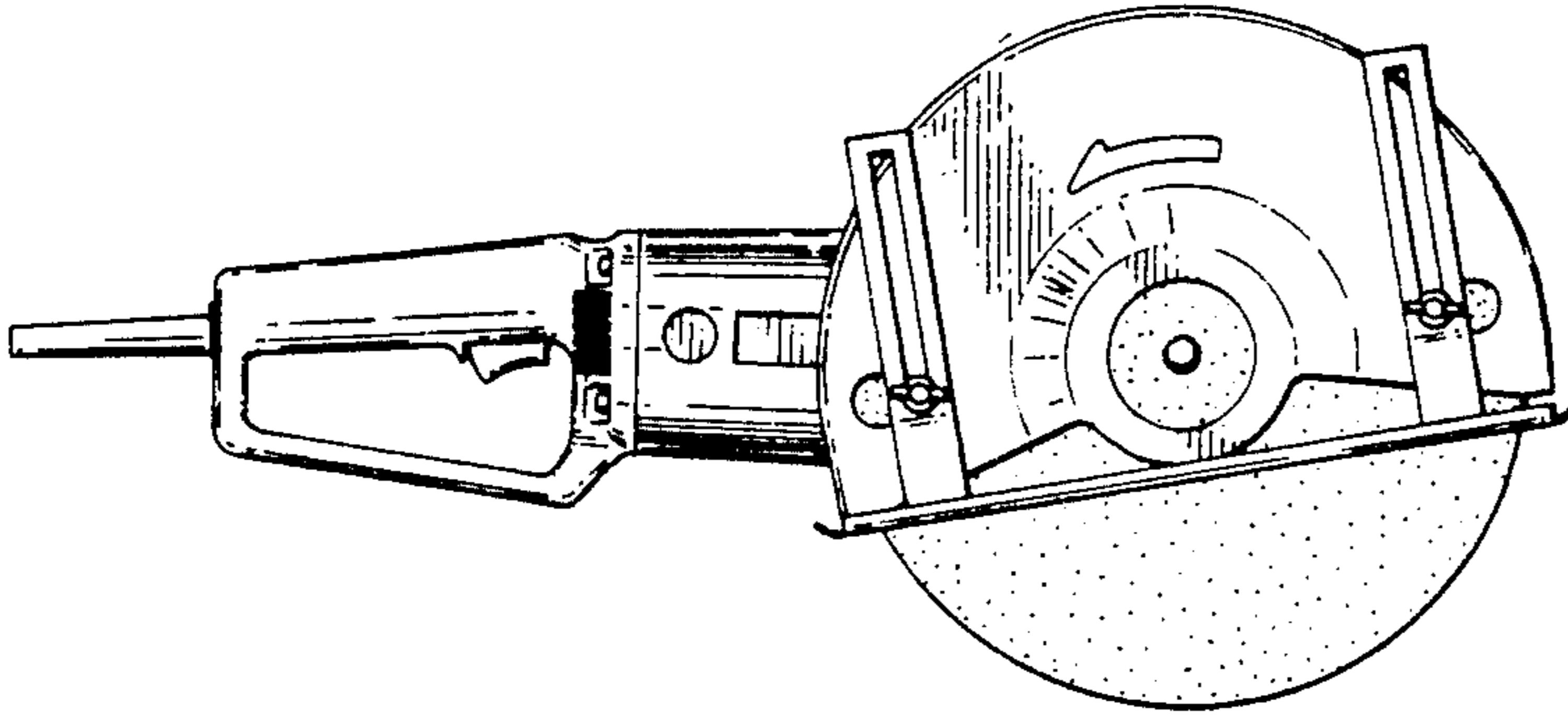


FIG. 2

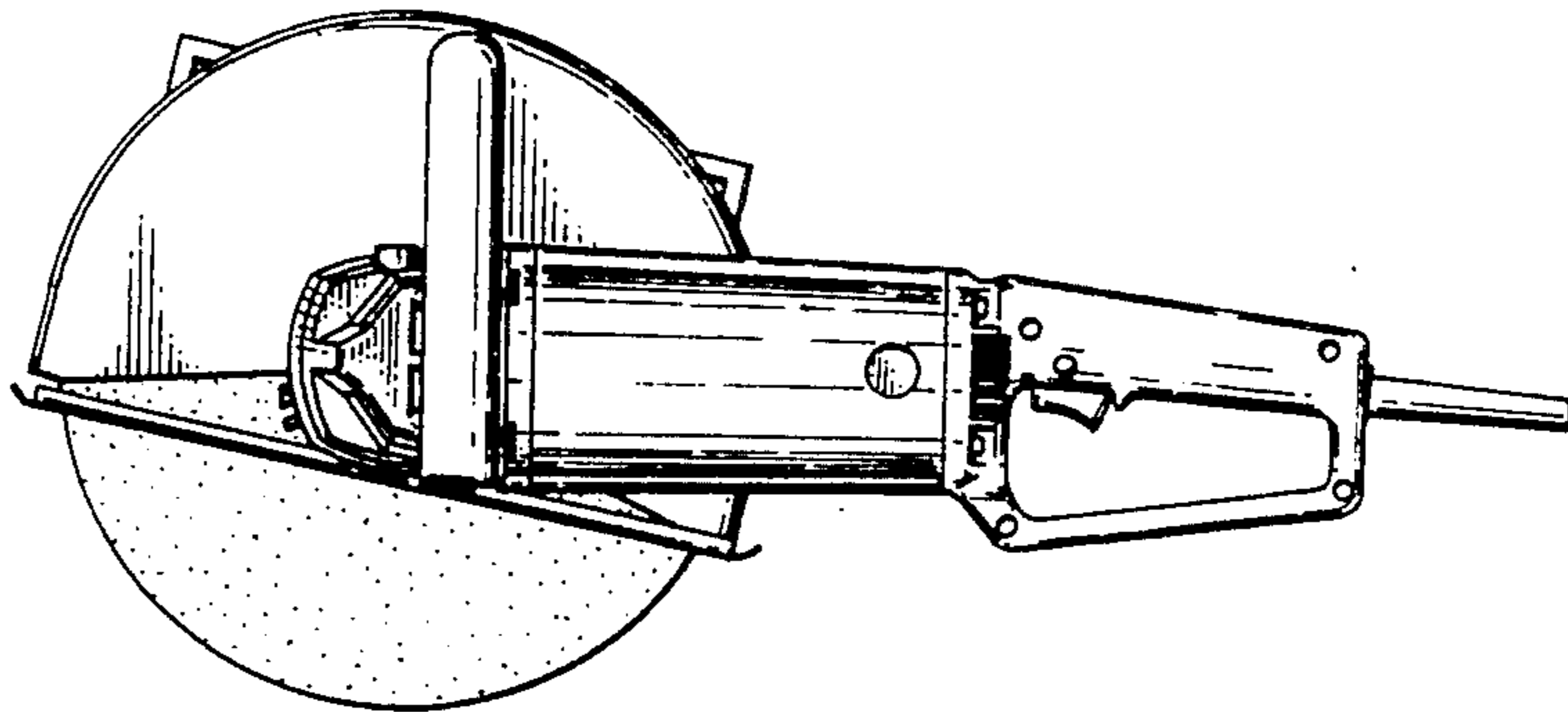


FIG. 3

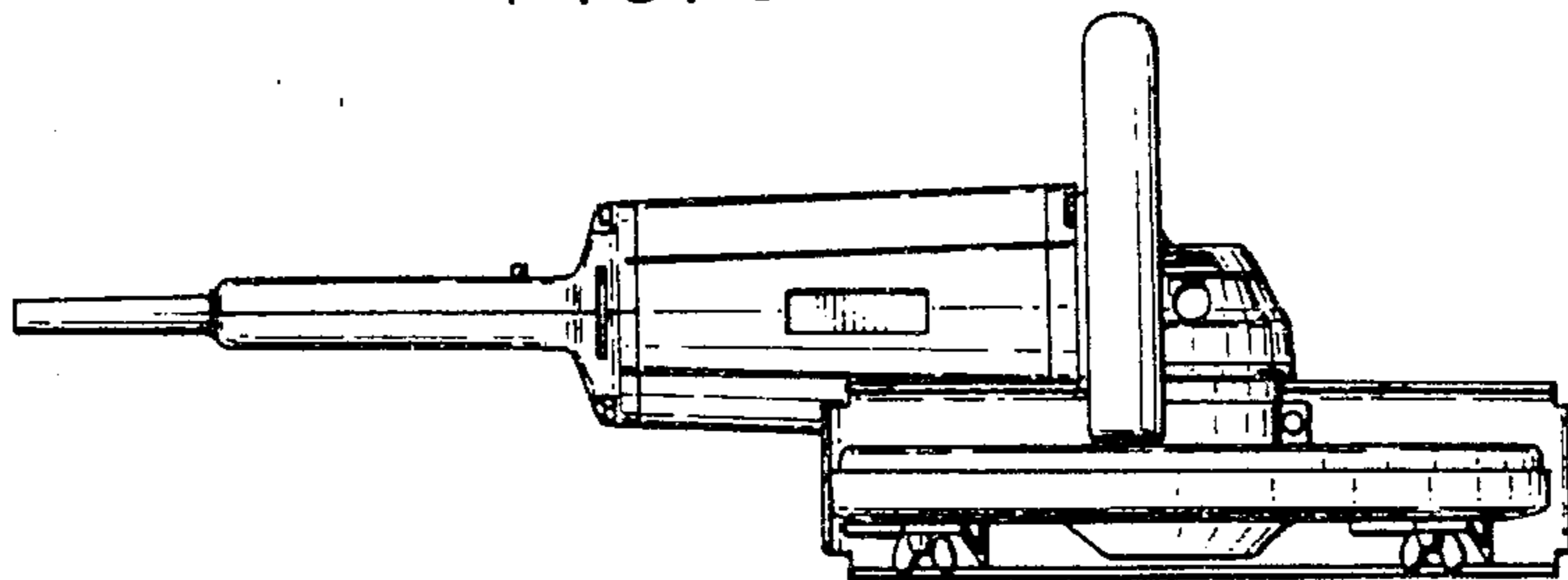


FIG. 4

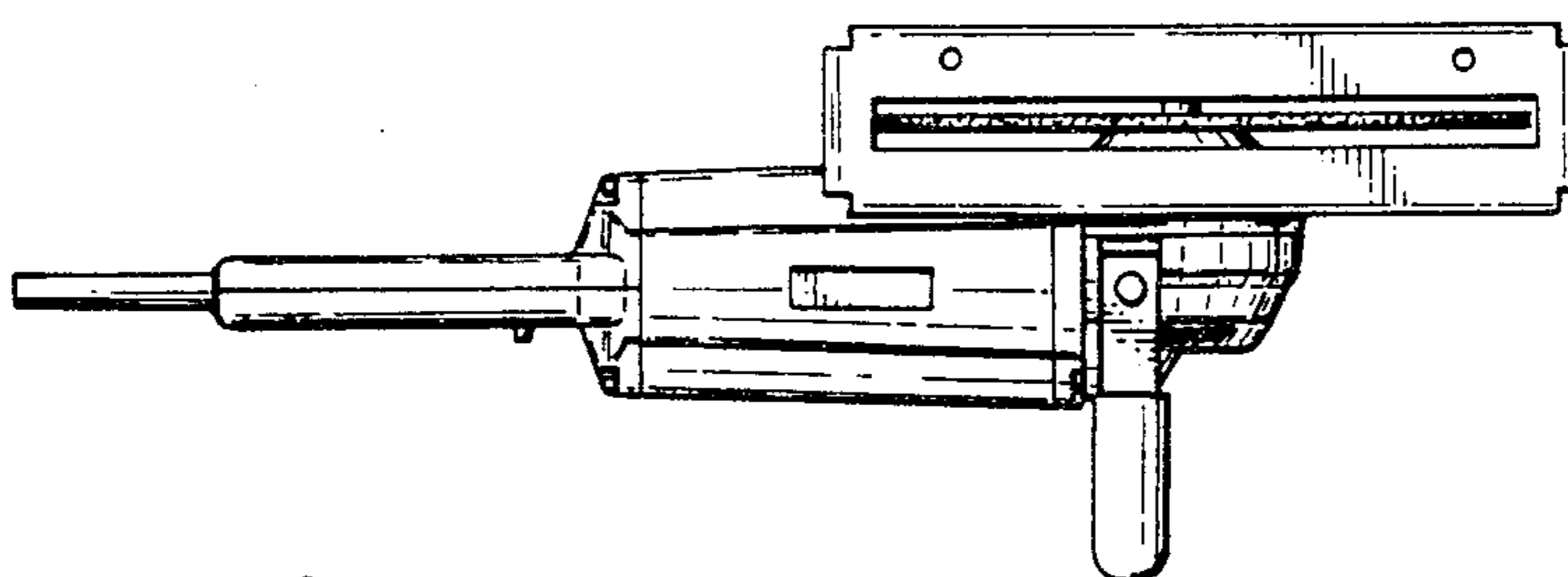


FIG. 5

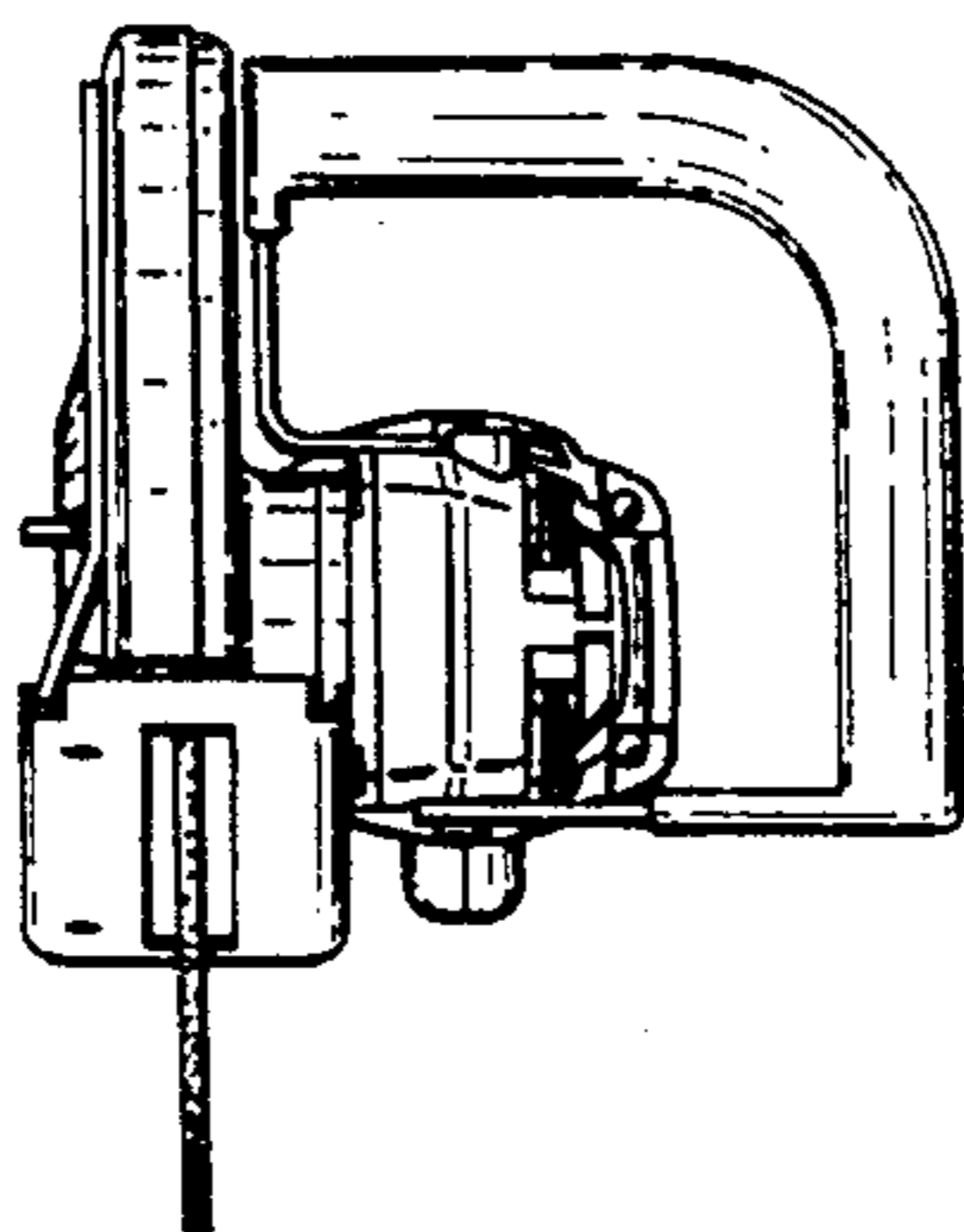


FIG. 6

