

United States Patent [19]

Nelson et al.

[11] Patent Number: **Des. 284,545**

[45] Date of Patent: **** Jul. 8, 1986**

[54] **HOUSING FOR SELF-IGNITING GAS TORCH**

[75] Inventors: **John M. Nelson, Brockport; Robert M. Kahute, Honeoye Falls, both of N.Y.**

[73] Assignee: **Newell Companies, Inc., Freeport, Ill.**

[**] Term: **14 Years**

[21] Appl. No.: **503,214**

[22] Filed: **Jun. 10, 1983**

[52] U.S. Cl. **D8/30**

[58] Field of Search **D8/30; D23/90.1; 431/344, 345, 353, 354, 255, 256, 263, 265**

[56] **References Cited**

U.S. PATENT DOCUMENTS

D. 264,301 5/1982 Miller D8/30
3,406,001 10/1968 Ishibashi 431/256 X

3,576,471 4/1971 Schumacher 431/255 X
4,348,172 9/1982 Miller 431/255
4,526,532 7/1985 Nelson 431/255

Primary Examiner—Susan J. Lucas
Attorney, Agent, or Firm—Sprung Horn Kramer & Woods

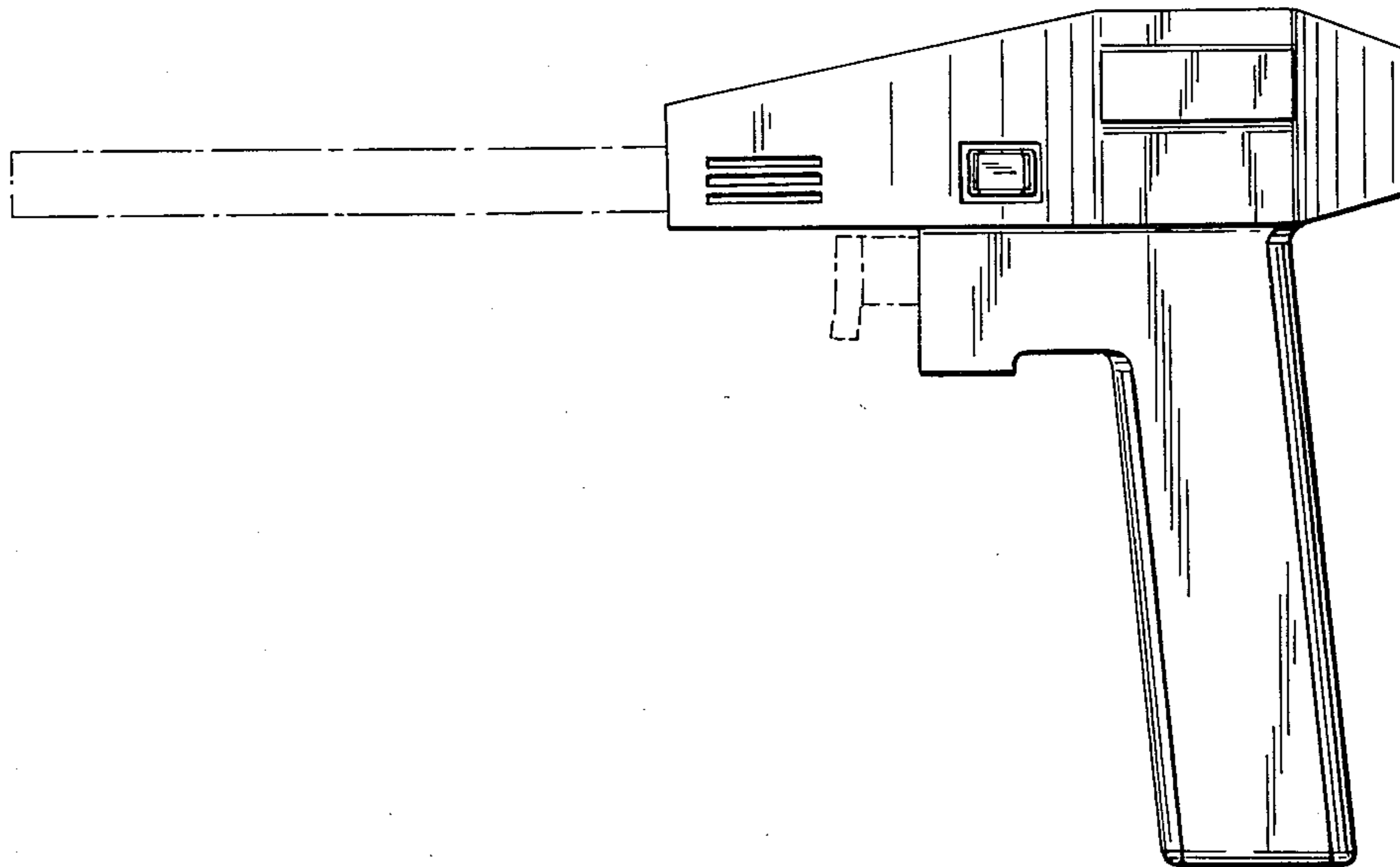
[57] CLAIM

The ornamental design for the housing for self-igniting gas torch, as shown and described.

DESCRIPTION

FIG. 1 is a top view of a housing for self-igniting gas torch showing our new design; FIG. 2 is a left side view thereof; FIG. 3 is a right side view thereof; FIG. 4 is a front view thereof; FIG. 5 is a rear view thereof; and FIG. 6 is a bottom view thereof.

The burner tube and trigger are shown in broken lines for illustrative purposes only.



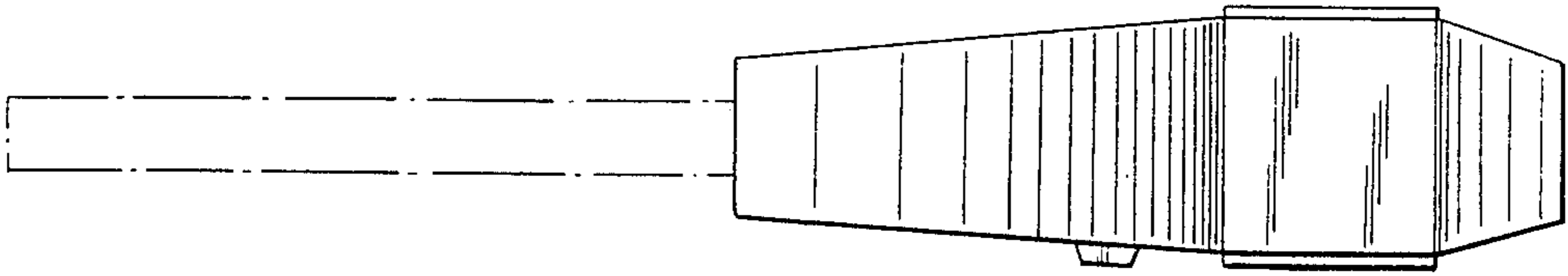


FIG. 1

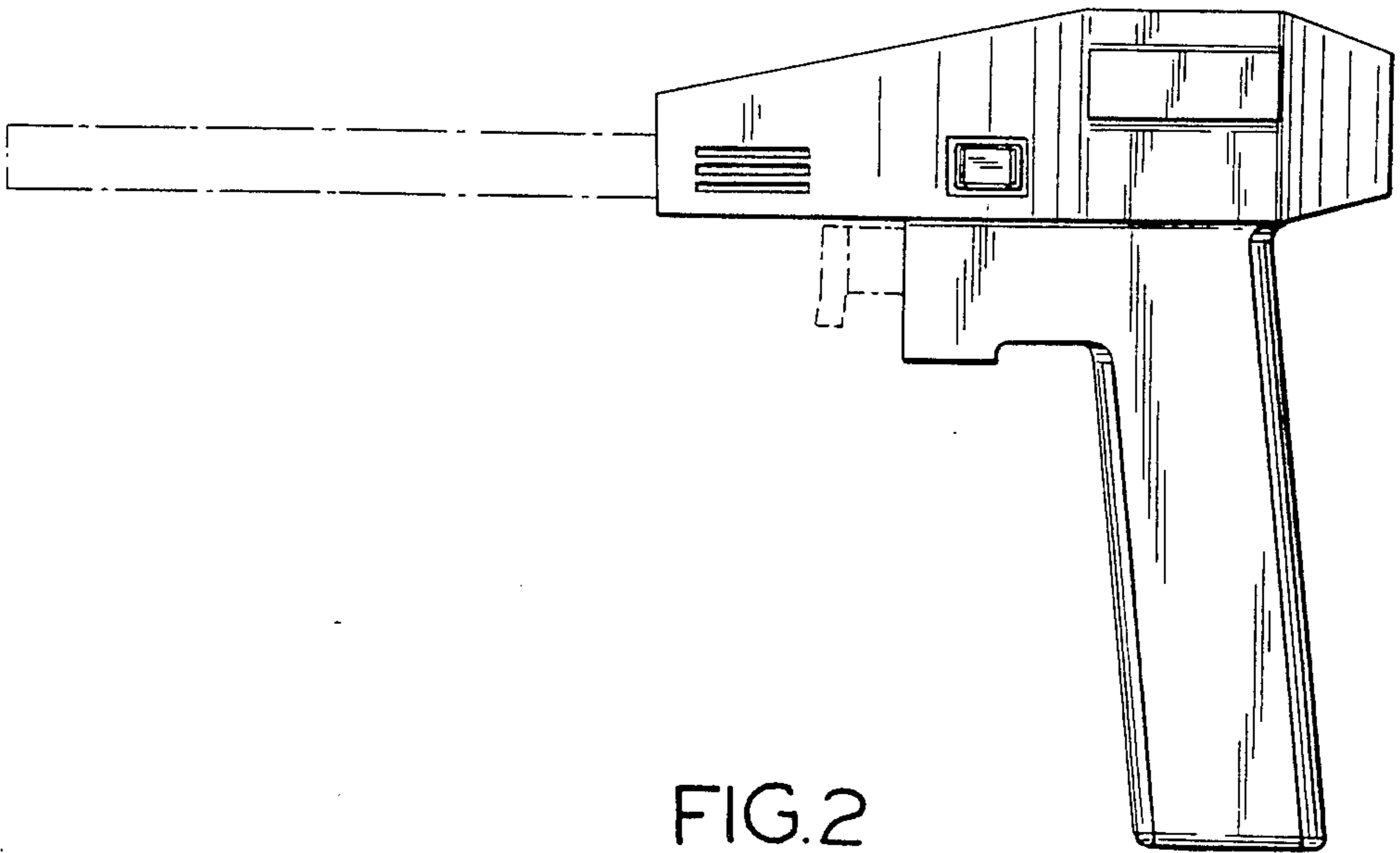


FIG. 2

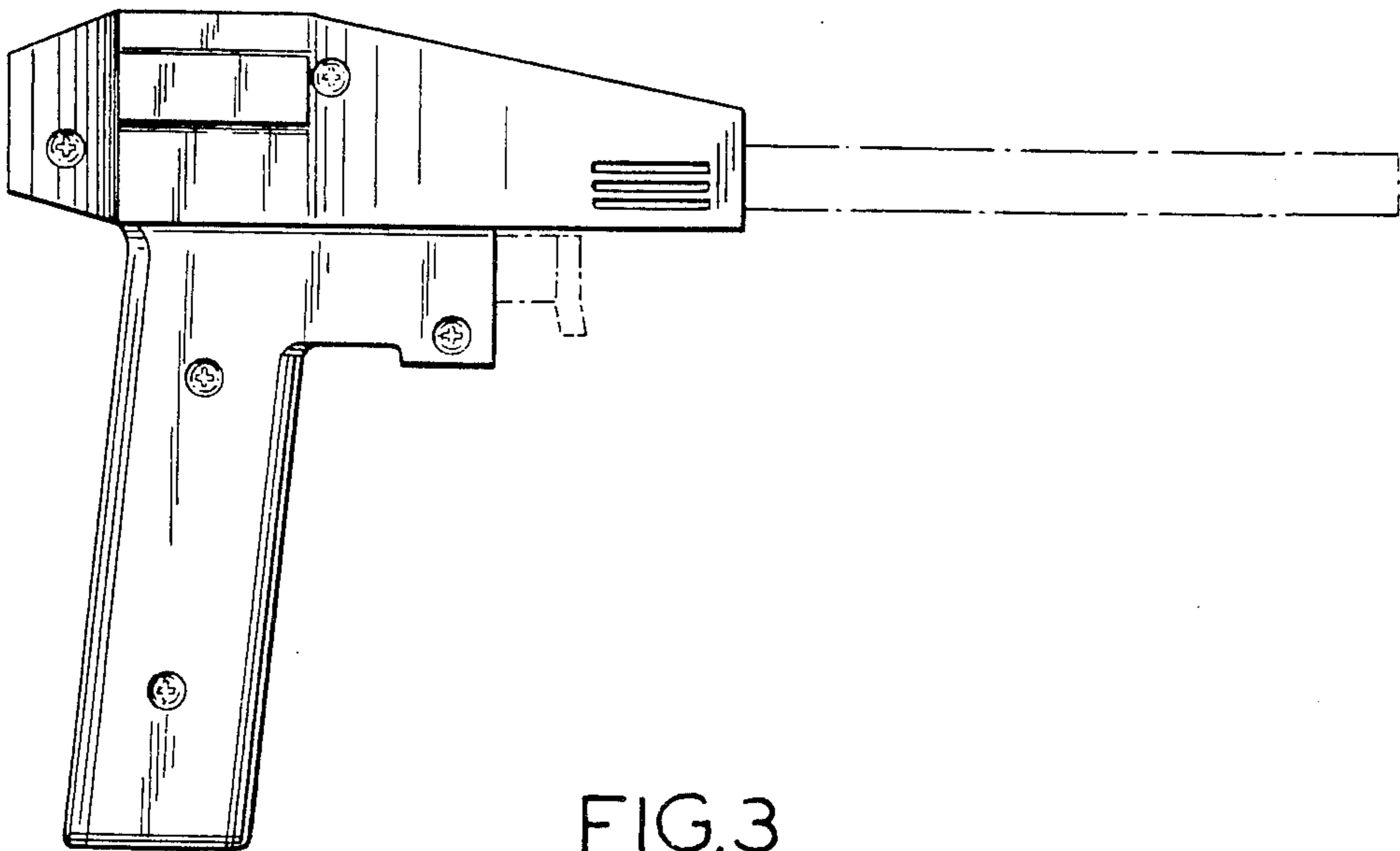


FIG. 3

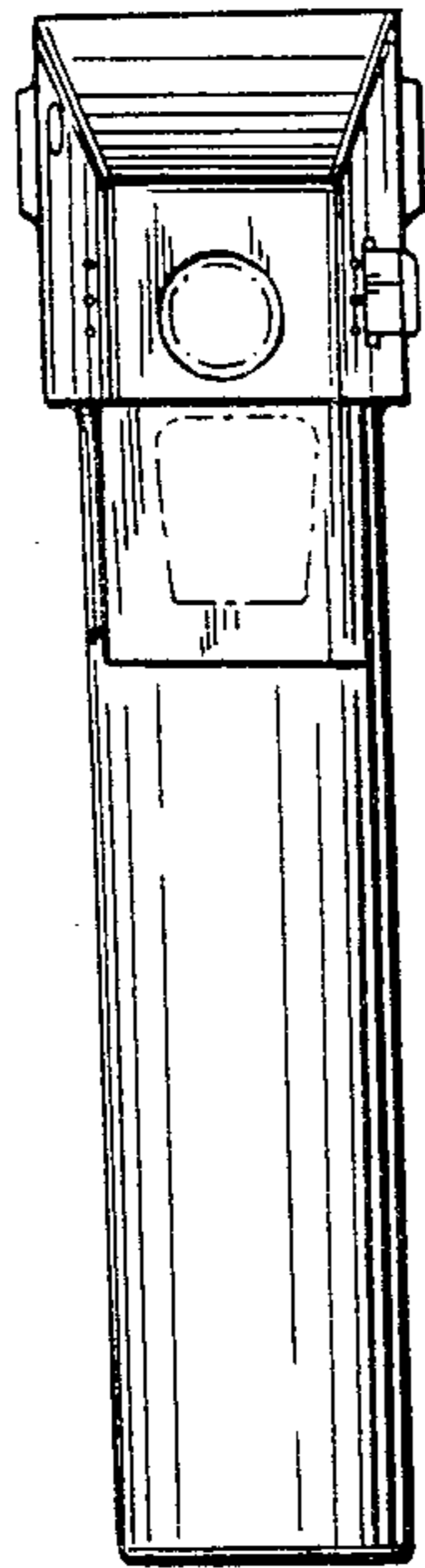


FIG. 4

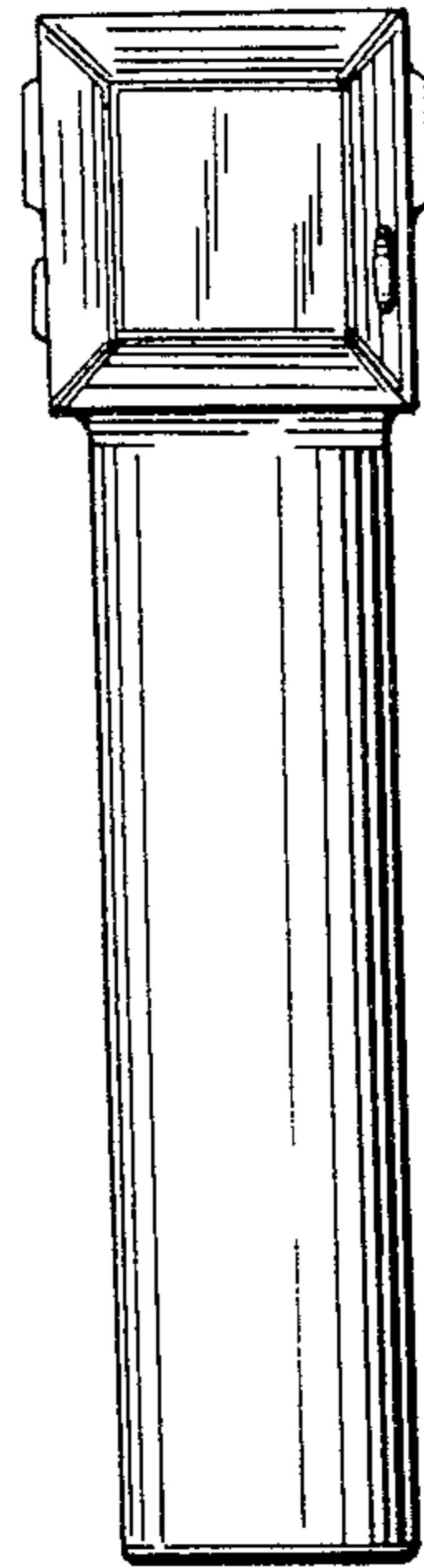


FIG. 5

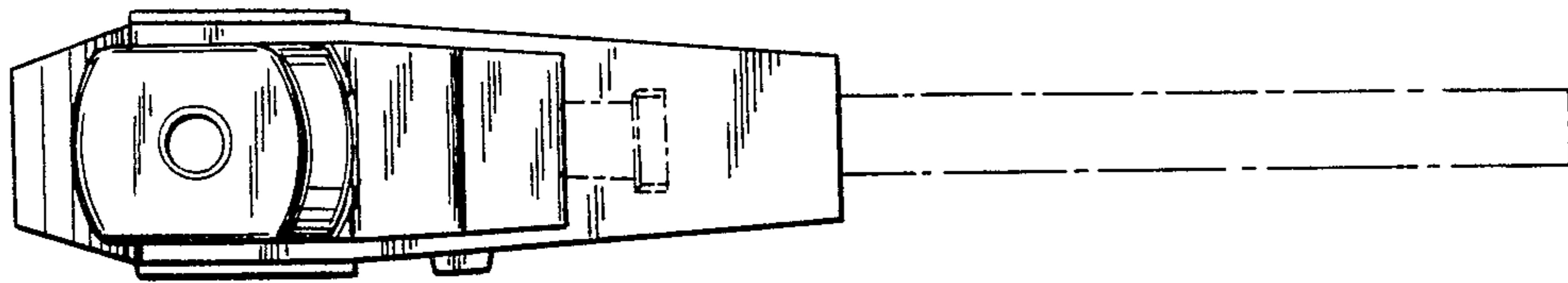


FIG. 6