

# United States Patent [19]

Bartasevich

[11] Patent Number: **Des. 284,541**

[45] Date of Patent: **\*\* Jul. 8, 1986**

[54] HANDLE FOR A UTENSIL LID

[75] Inventor: **William E. Bartasevich, Kent, Ohio**

[73] Assignee: **The Meyer Company, Cleveland, Ohio**

[\*\*] Term: **14 Years**

[21] Appl. No.: **481,342**

[22] Filed: **Apr. 1, 1983**

[52] U.S. Cl. .... **D7/393**

[58] Field of Search ..... **D7/393, 387, 391, 4, D7/152, 360, 361; 16/124, 116 A, 114 R, 114 A, 116 R, 110 A, 111 R, DIG. 12, DIG. 18, DIG. 19; 30/340; 220/94 R; D25/74**

[56] **References Cited**

**U.S. PATENT DOCUMENTS**

D. 201,198	5/1965	Tucker	.....	D7/4 X
D. 255,974	7/1980	Jacoby	.....	D7/152
947,011	1/1910	Brown	.....	16/124
2,568,436	9/1951	Faria	.....	220/94 R

4,388,743 6/1983 Hellinger et al. .... 16/116 A

**FOREIGN PATENT DOCUMENTS**

1084070 1/1955 France ..... 30/340

*Primary Examiner*—Bernard Ansher  
*Assistant Examiner*—Linda Titolo  
*Attorney, Agent, or Firm*—Fay, Sharpe, Fagan, Minnich & McKee

[57] **CLAIM**

The ornamental design for handle for a utensil lid, as shown.

**DESCRIPTION**

FIG. 1 is a top front perspective view of a handle for utensil lid, showing my new design, with the utensil lid shown in broken lines for illustrative purposes only; FIG. 2 is a right end elevational view thereof, the left end elevational view being a mirror image thereof; FIG. 3 is a front elevational view thereof, the rear elevational view being a mirror image thereof; FIG. 4 is a top plan view thereof; and, FIG. 5 is a bottom plan view thereof.

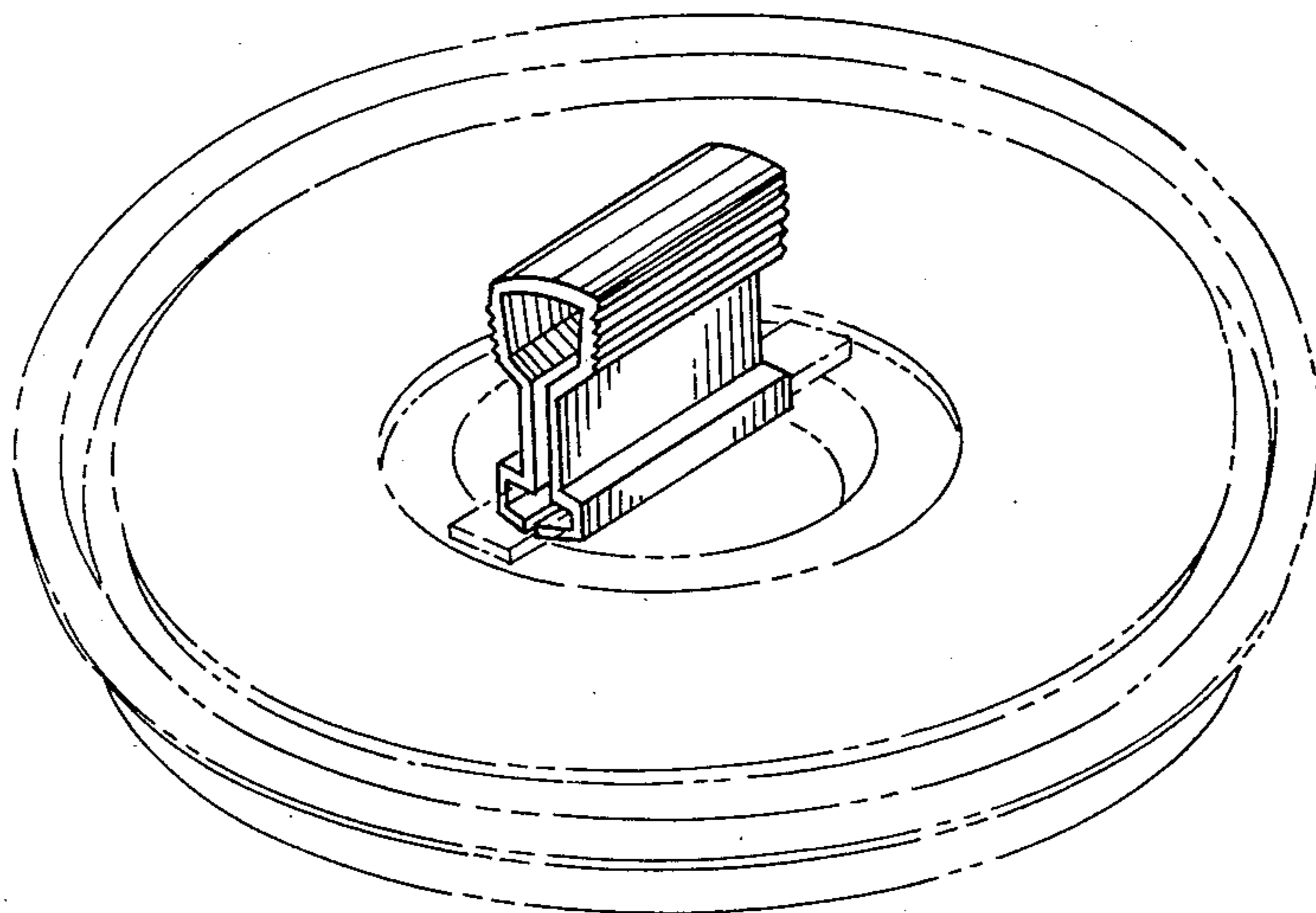


FIG. 1

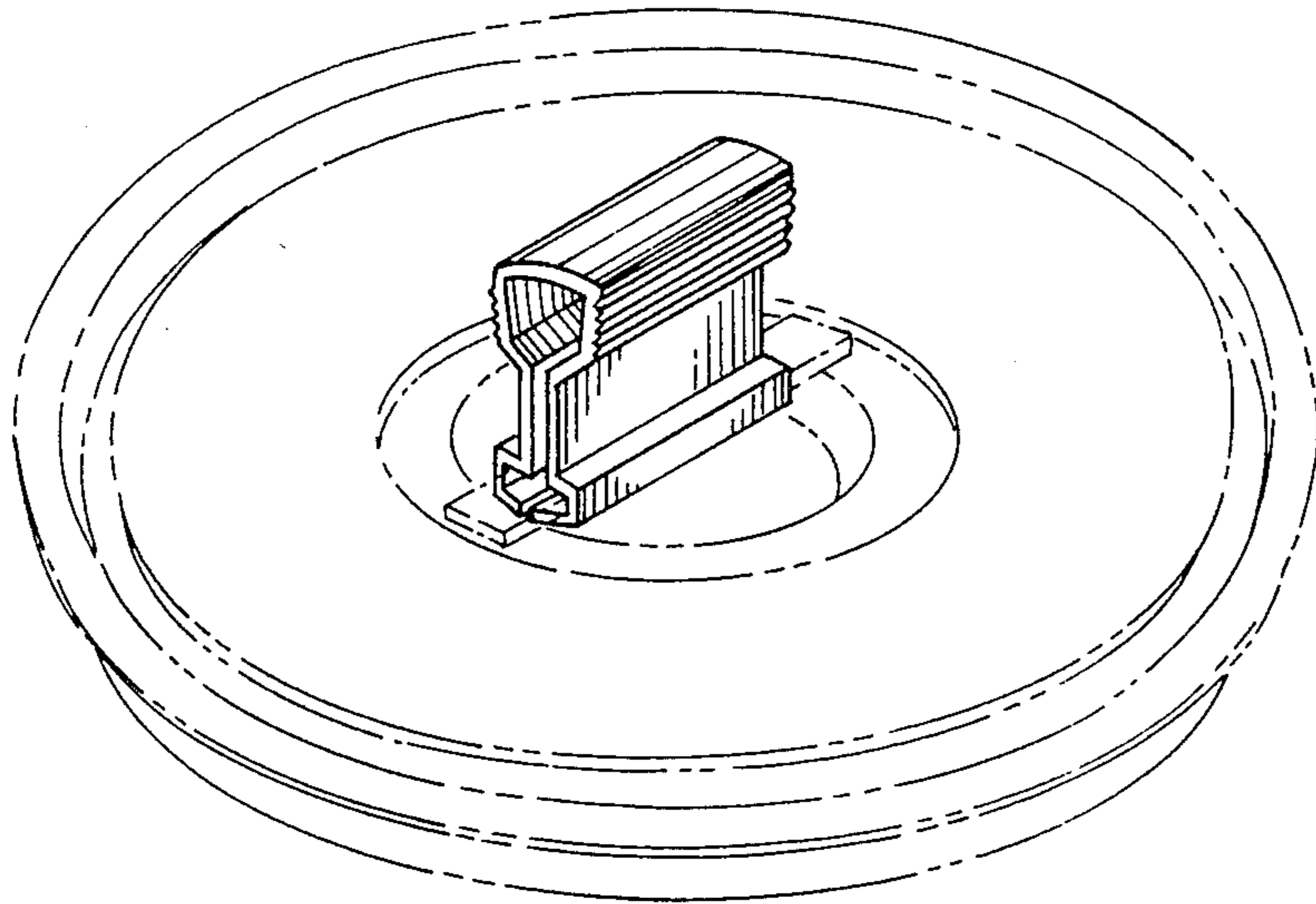


FIG. 4

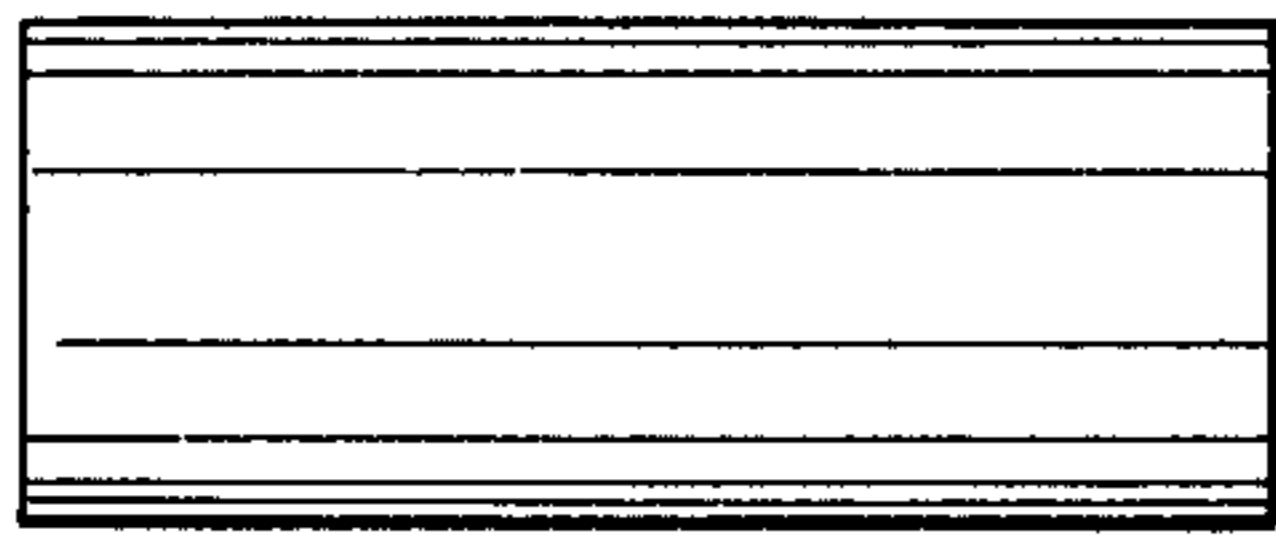


FIG. 3

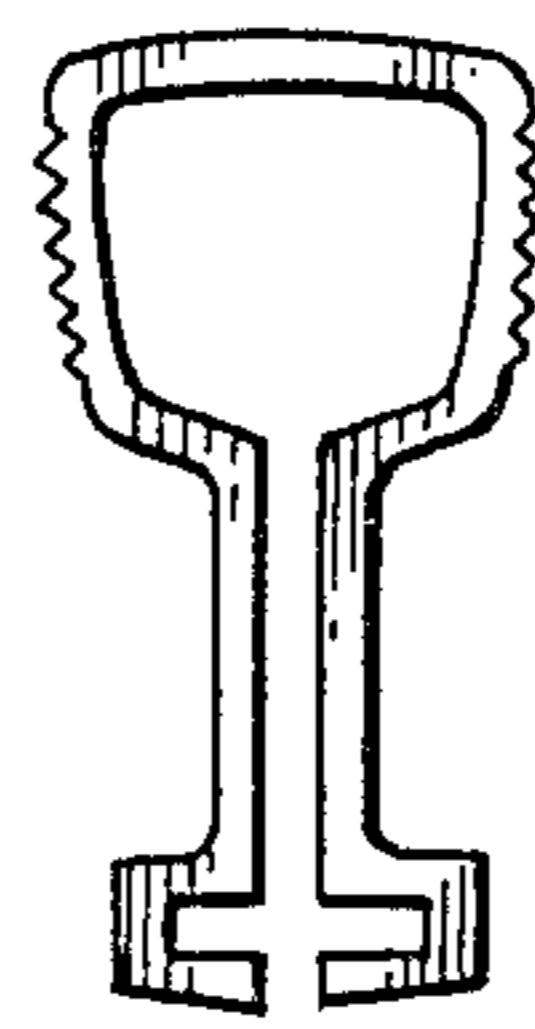
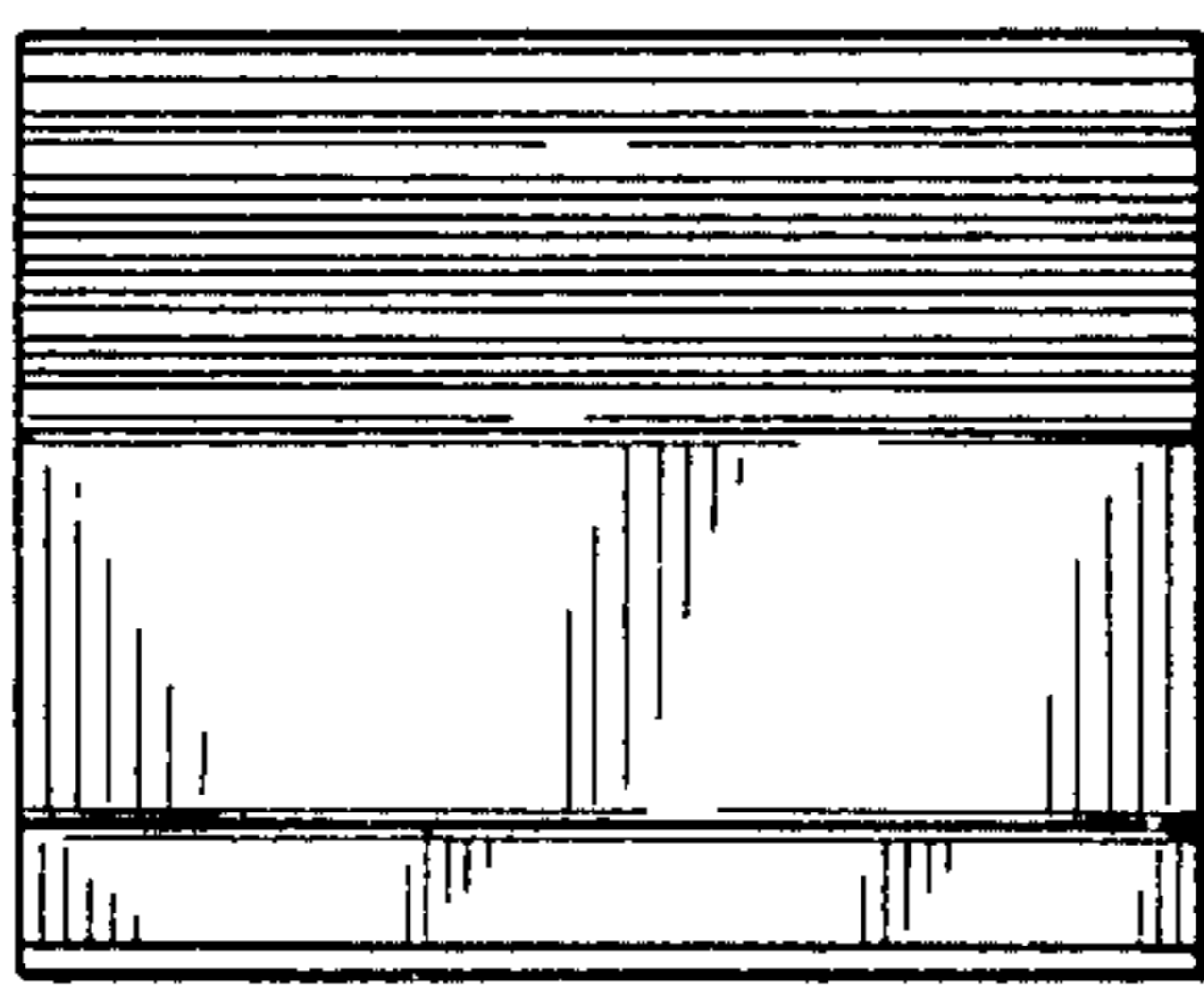


FIG. 2

FIG. 5

