

[54] **HANDLE FOR COOKING UTENSILS**

[75] **Inventor: Rolf Baumgarten,**
Neunkirchen-Wiederstein, Fed. Rep.
of Germany

[73] **Assignee: Heinrich Baumgarten KG Eisen und**
Blechwarenfabrik, Neunkirchen,
Fed. Rep. of Germany

[**] **Term: 14 Years**

[21] **Appl. No.: 770,499**

[22] **Filed: Aug. 28, 1985**

Related U.S. Application Data

[62] **Division of Ser. No. 543,944, Oct. 20, 1983.**

[30] **Foreign Application Priority Data**

Apr. 25, 1983 [DE] Fed. Rep. of Germany MR367

Jun. 20, 1983 [DE] Fed. Rep. of Germany MR371

[52] **U.S. Cl. D7/393; D6/491;**
D7/394

[58] **Field of Search D7/393, 360, 395;**
D6/491; D8/310, 307, 315, 319; 16/110 A, 114
A, 121, DIG. 30, 124; 116 R, 114 R

[56] **References Cited**

U.S. PATENT DOCUMENTS

| | | | |
|------------|---------|-----------------|----------|
| D. 35,650 | 2/1902 | Keiner | D8/319 |
| D. 179,213 | 11/1956 | Painter | D7/360 |
| D. 227,292 | 6/1973 | Yamamoto | D7/360 |
| 1,217,287 | 2/1917 | Dillinger | 16/116 R |
| 2,096,655 | 10/1937 | Steel | 16/114 R |
| 3,252,404 | 5/1966 | Cox | 16/121 |
| 3,785,274 | 1/1974 | Yamamoto | D7/360 X |

Primary Examiner—Bernard Ansher

Assistant Examiner—Linda Titolo

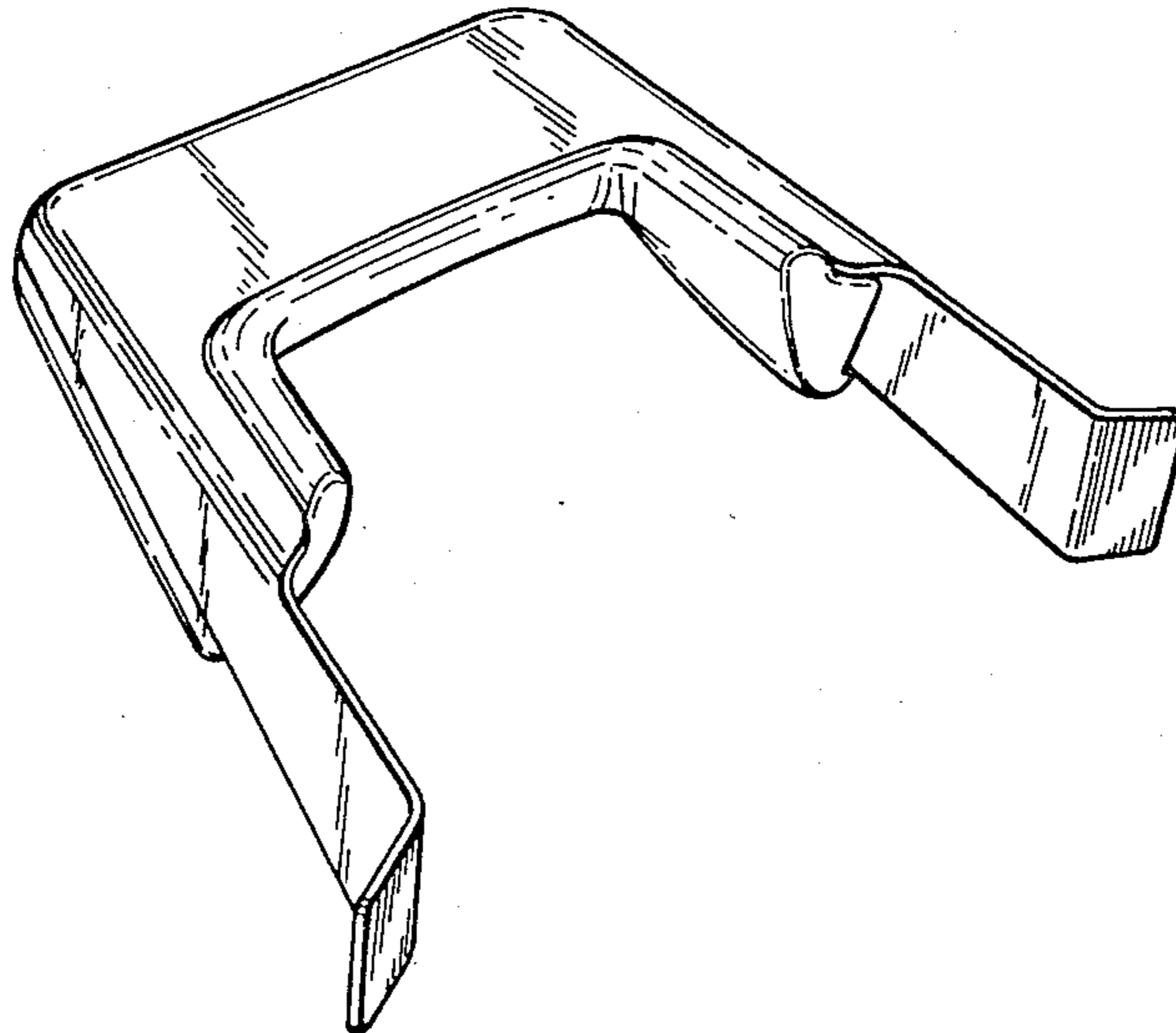
Attorney, Agent, or Firm—Flynn, Thiel, Boutell & Tanis

[57] **CLAIM**

The ornamental design for a handle for cooking utensils, as shown and described.

DESCRIPTION

FIG. 1 is a top rear perspective view of a handle for cooking utensil, showing my new design; FIG. 2 is a rear elevational view thereof; FIG. 3 is a front elevational view thereof; FIG. 4 is a top plan view thereof; FIG. 5 is a left side elevational view thereof; and FIG. 6 is a bottom plan view thereof.



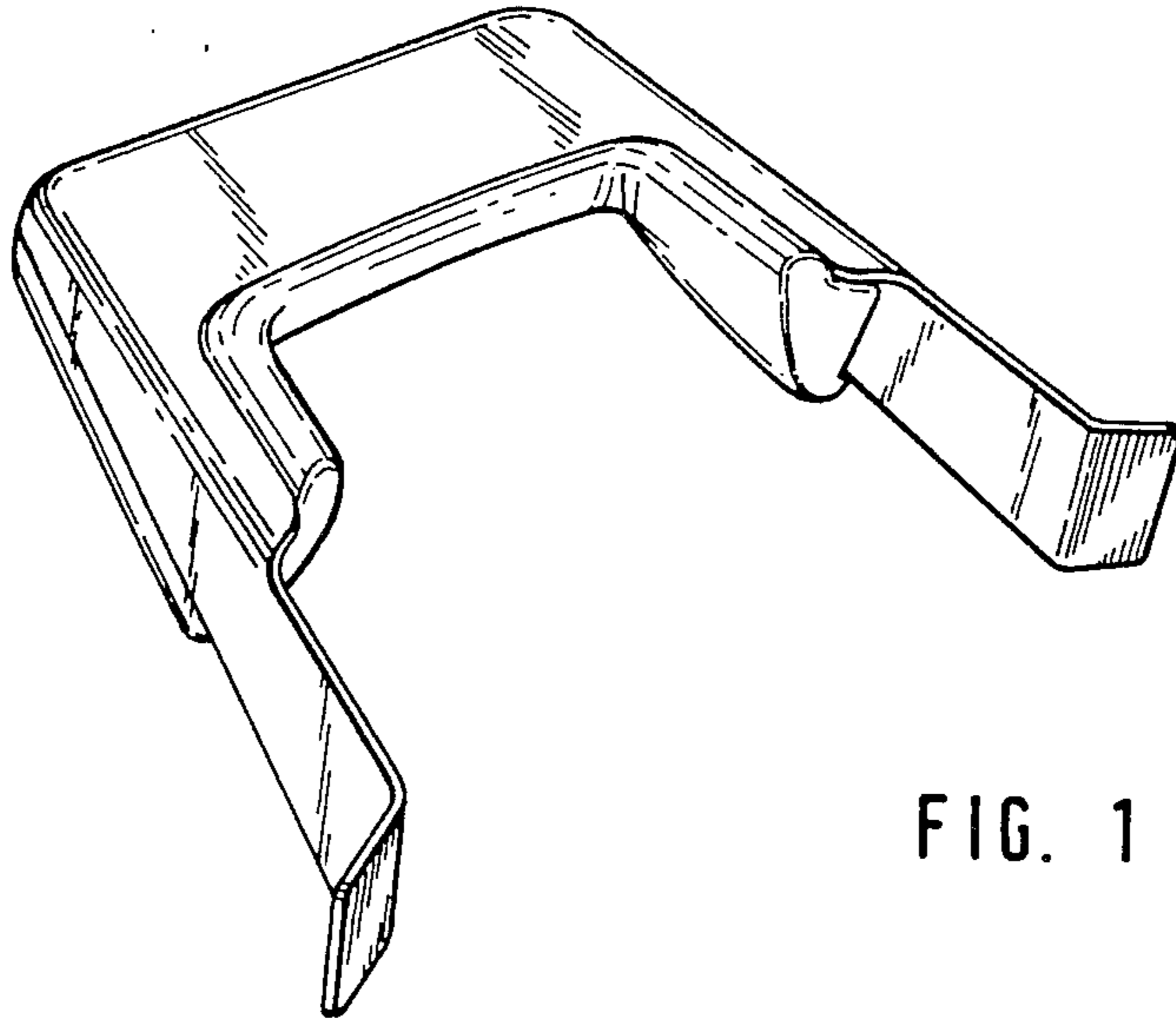


FIG. 1

FIG. 2

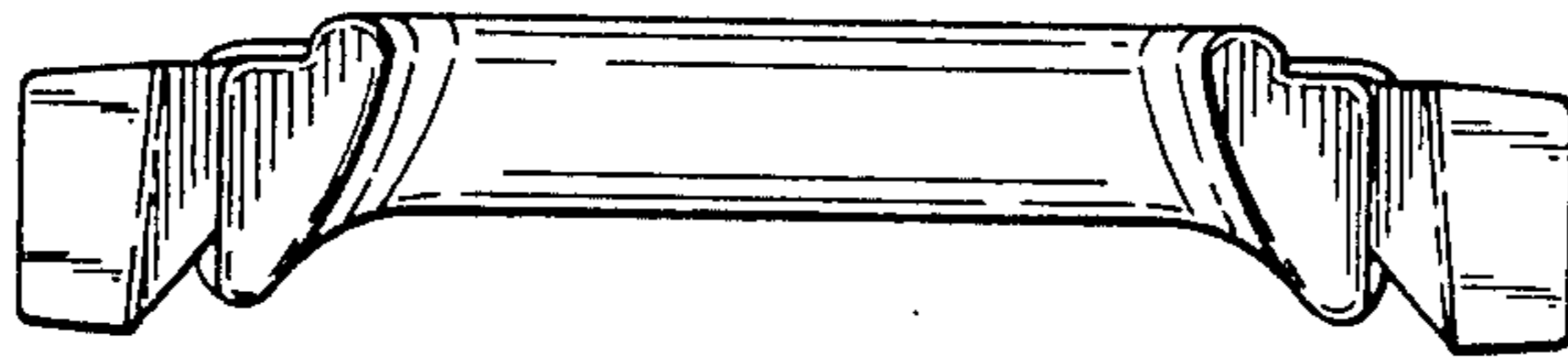
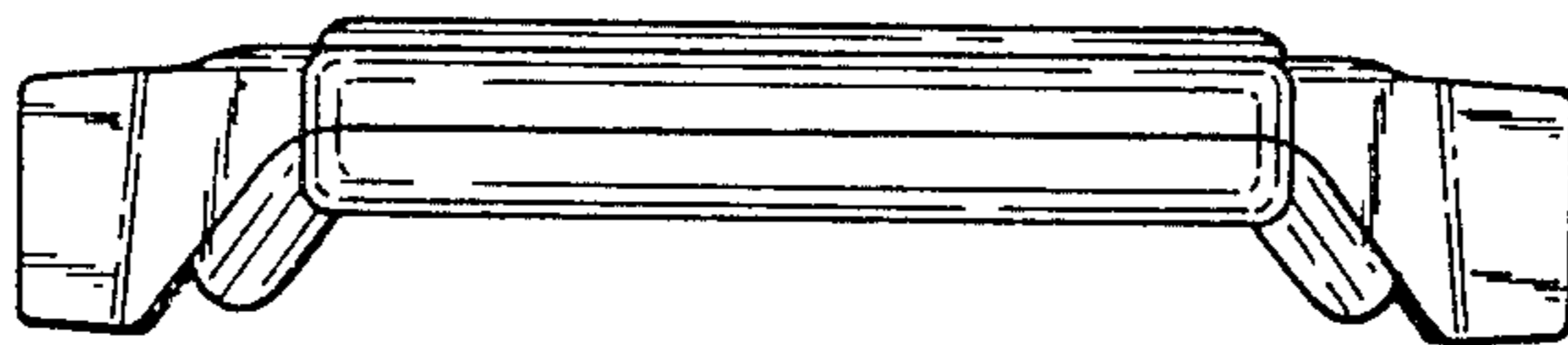


FIG. 3



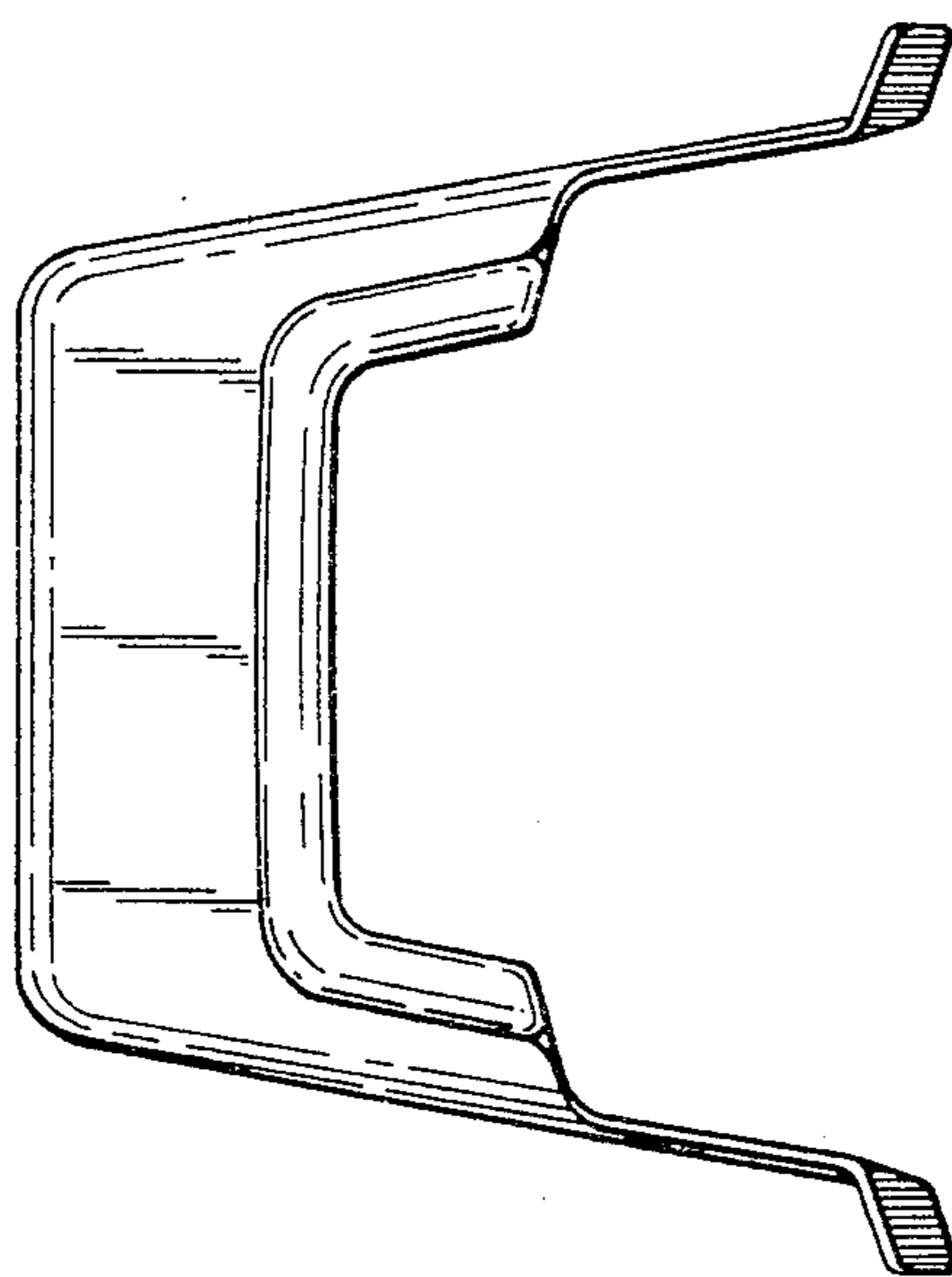


FIG. 4

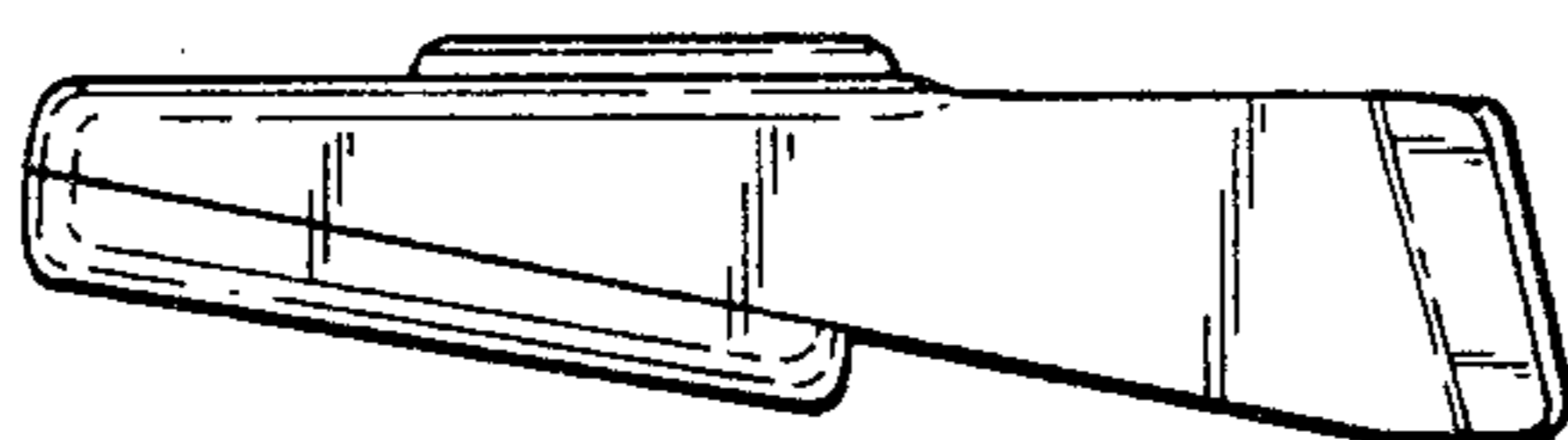


FIG. 5

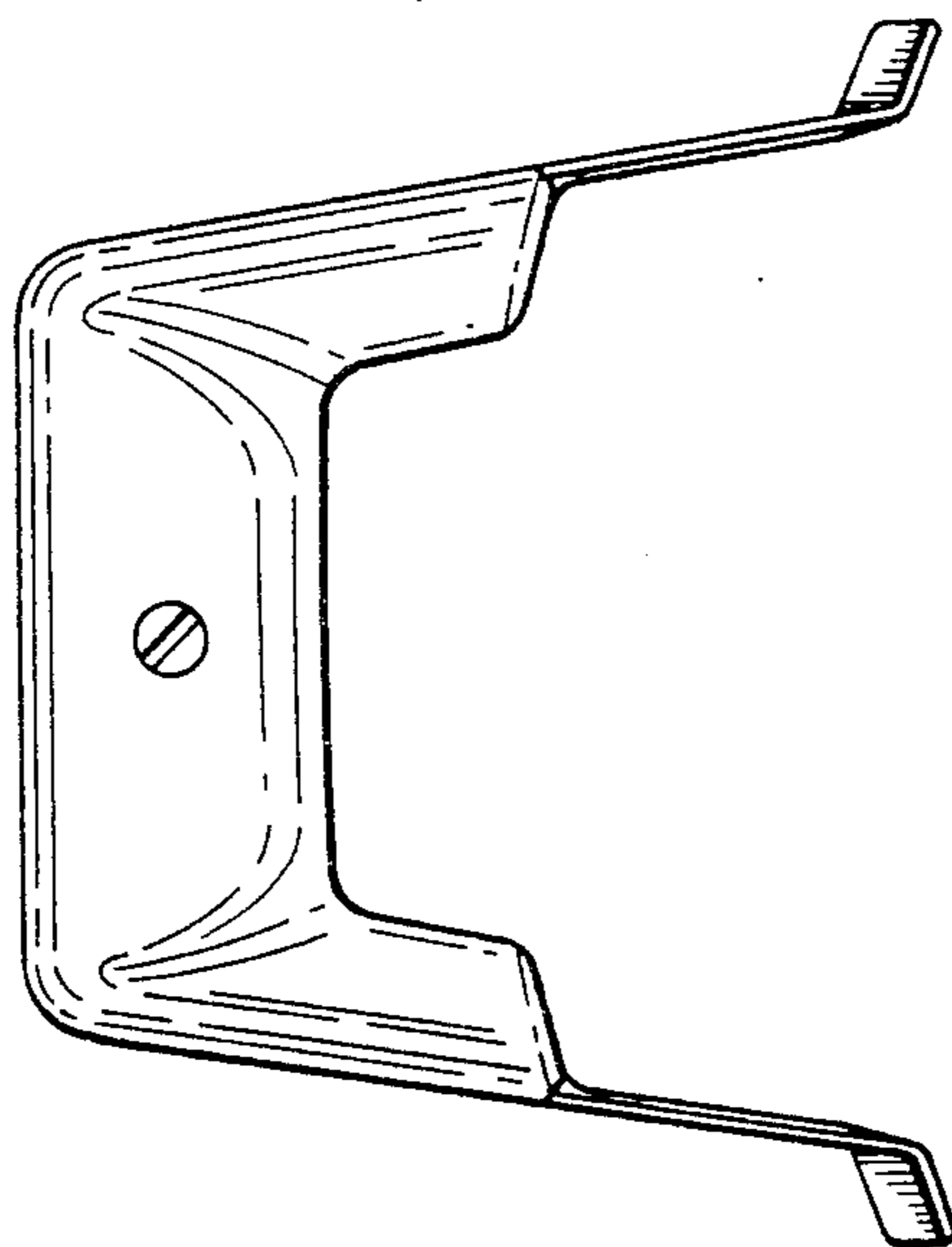


FIG. 6