

[54] COMBINED DRESSING TABLE AND STORAGE UNIT FOR AN INFANT

[75] Inventor: Merry S. Riehm, East Aurora, N.Y.

[73] Assignee: The Quaker Oats Company, Chicago, Ill.

[**] Term: 14 Years

[21] Appl. No.: 578,624

[22] Filed: Feb. 9, 1984

[52] U.S. Cl. D6/384

[58] Field of Search D6/335, 336, 382, 383, D6/384, 390, 397, 503, 432, 436; 5/2 R

[56] References Cited

U.S. PATENT DOCUMENTS

D. 144,670 5/1946 Adolf D6/384

D. 190,951 7/1961 Swaney D6/384
D. 214,863 8/1969 Klara D6/384
D. 224,872 10/1972 Voytko D6/384
D. 228,855 10/1973 Blazey et al. D6/384
D. 260,827 9/1981 Sommer D6/384

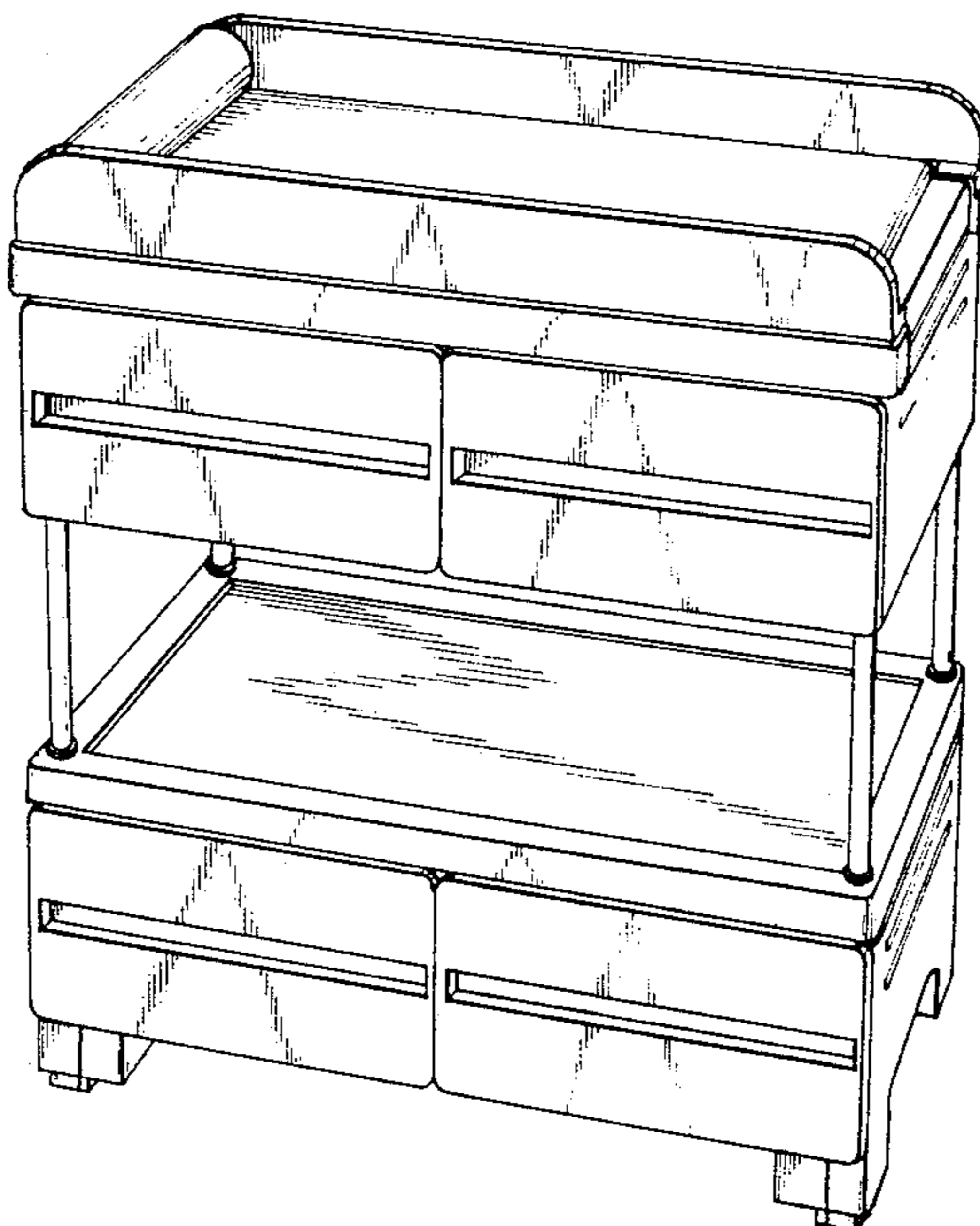
Primary Examiner—Bruce W. Dunkins
Attorney, Agent, or Firm—Cumpston & Shaw

[57] CLAIM

The ornamental design for a combined dressing table and storage unit for an infant, substantially as shown and described.

DESCRIPTION

FIG. 1 is a perspective view of the front, top and right side of a combined dressing table and storage unit for an infant showing my new design; FIG. 2 is a rear elevational view thereof; and FIG. 3 is a left-side elevational view thereof.



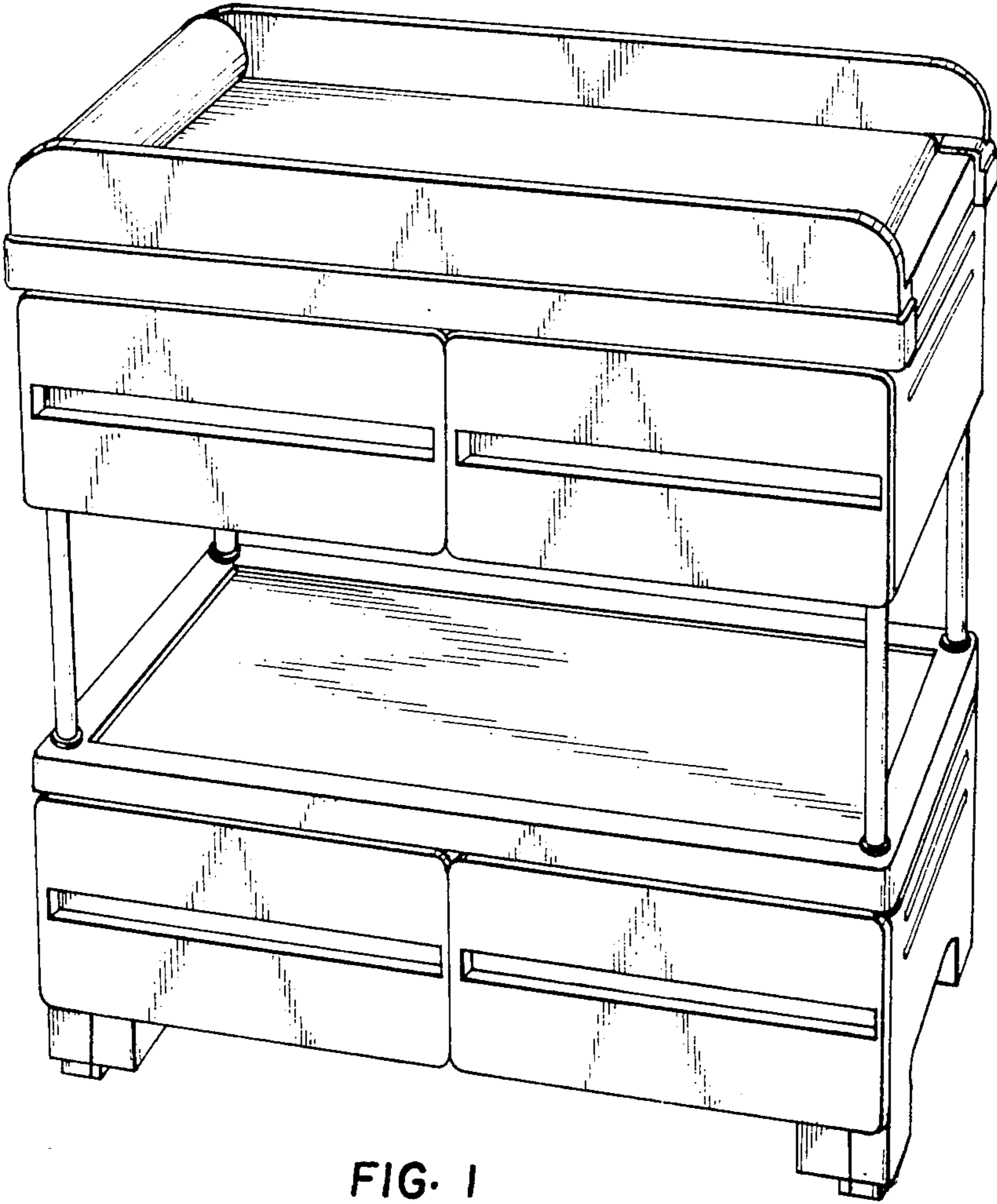


FIG. 1

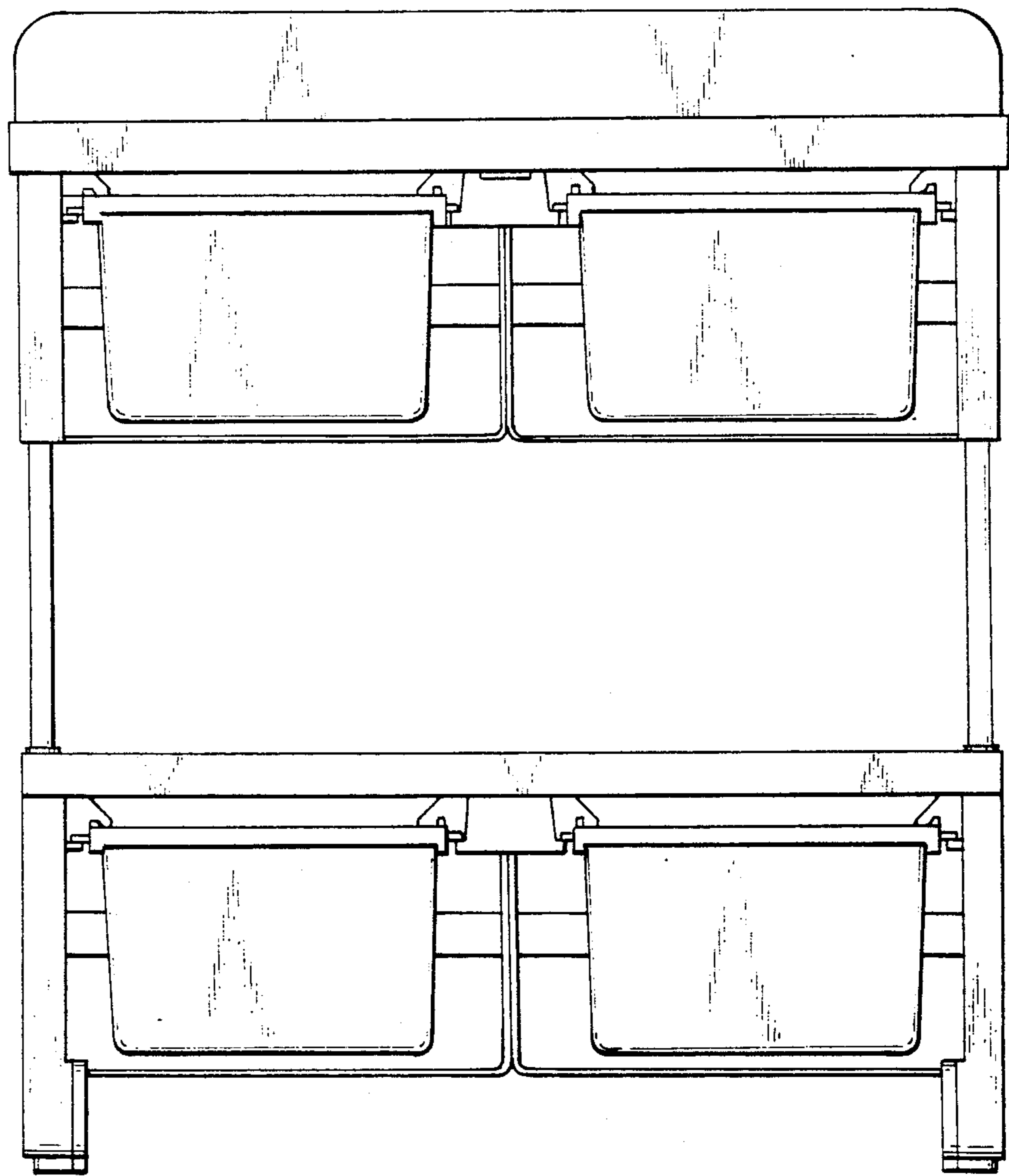


FIG. 2

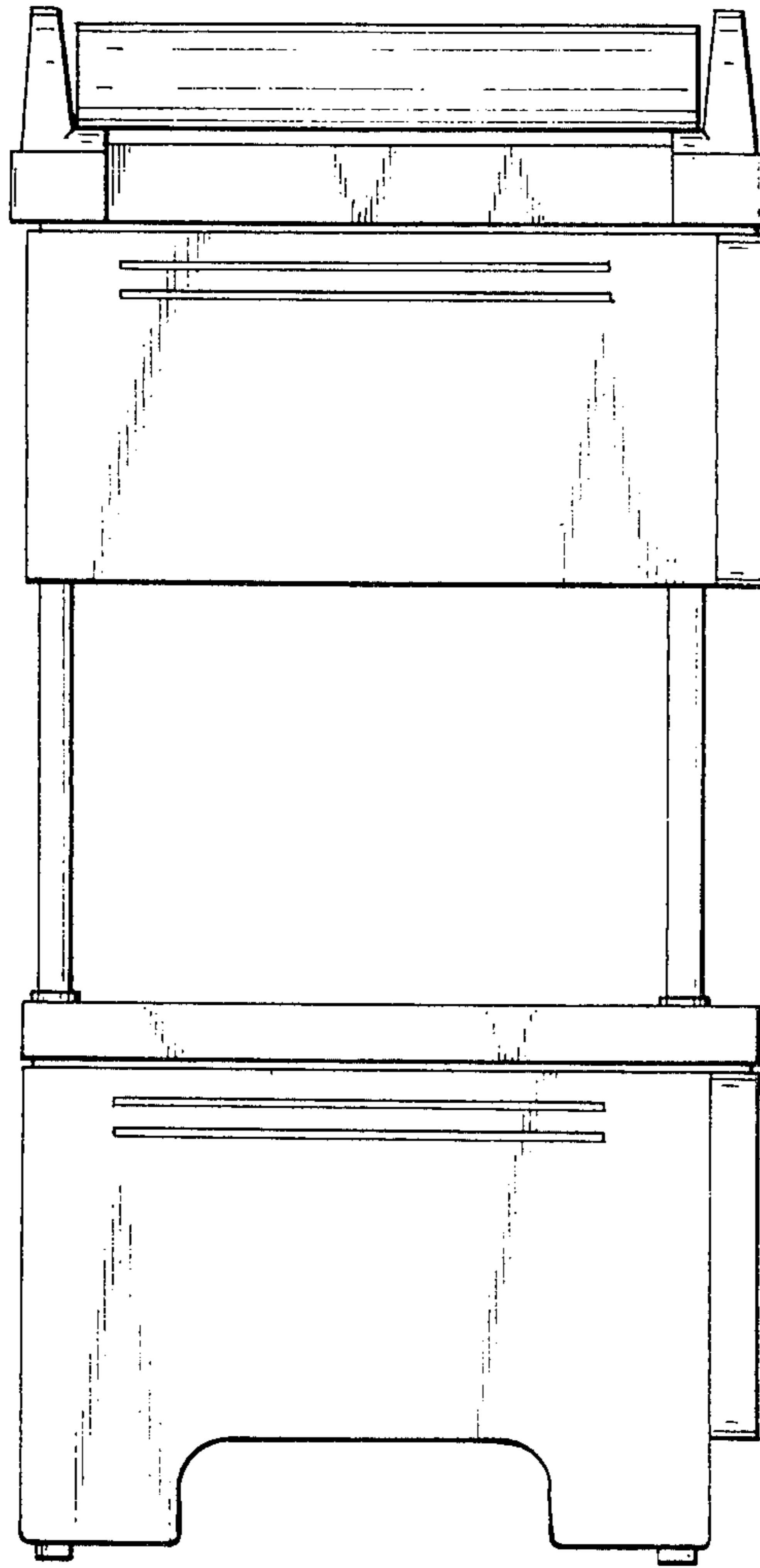


FIG. 3