

[54] PORTABLE DESK

[76] Inventor: Nettie A. Freeman, R.R. #2, The Village, #57 Whispering Pine, Flint, Tex. 75762

[**] Term: 14 Years

[21] Appl. No.: 470,595

[22] Filed: Feb. 28, 1983

[52] U.S. Cl. D3/74; D3/30.1; D3/39; D6/406

[58] Field of Search D19/52, 59, 62, 36; D3/30.1, 74, 76, 33; 312/231, 237; 190/1, 10, 11; 434/432; D6/406

[56] References Cited

U.S. PATENT DOCUMENTS

D. 139,024 10/1944 Morando D3/74

2,441,345	5/1948	Brubaker	D3/74
3,558,205	1/1971	Mueller	D3/74
4,190,918	3/1980	Harvell	190/1
4,194,628	3/1980	Campos	D3/74

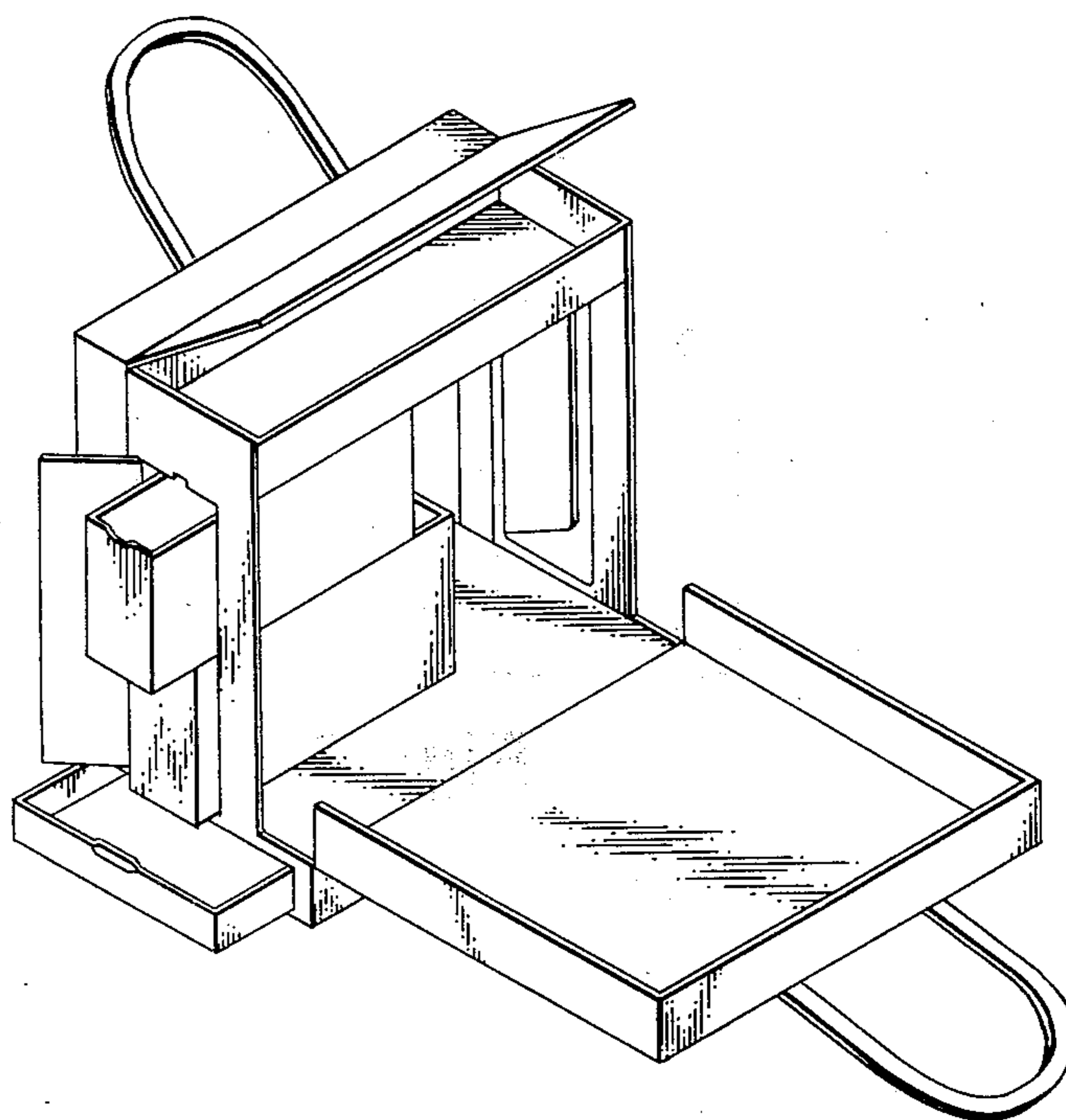
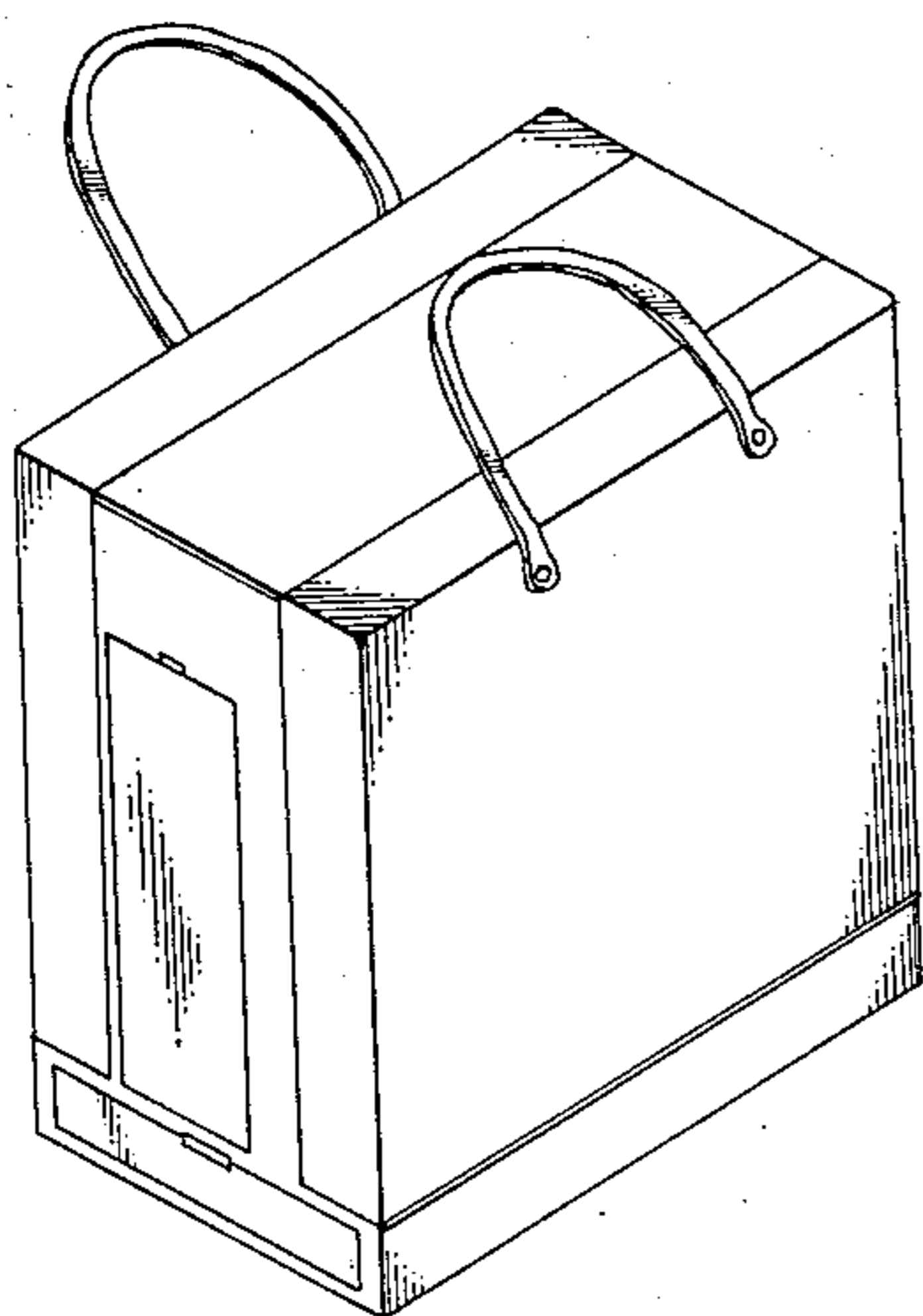
Primary Examiner—George P. Word
Attorney, Agent, or Firm—Gerald G. Crutsinger; John F. Booth; Monty L. Ross

[57] CLAIM

The ornamental design for a portable desk, substantially as shown and described.

DESCRIPTION

FIG. 1 is a left front perspective view of a portable desk showing my new design;
FIG. 2 is a left rear perspective view thereof, the right side being substantially similar to the left side;
FIG. 3 is a bottom plan view thereof; and
FIG. 4 is a left front perspective view similar to FIG. 1 with the compartments in the open position.



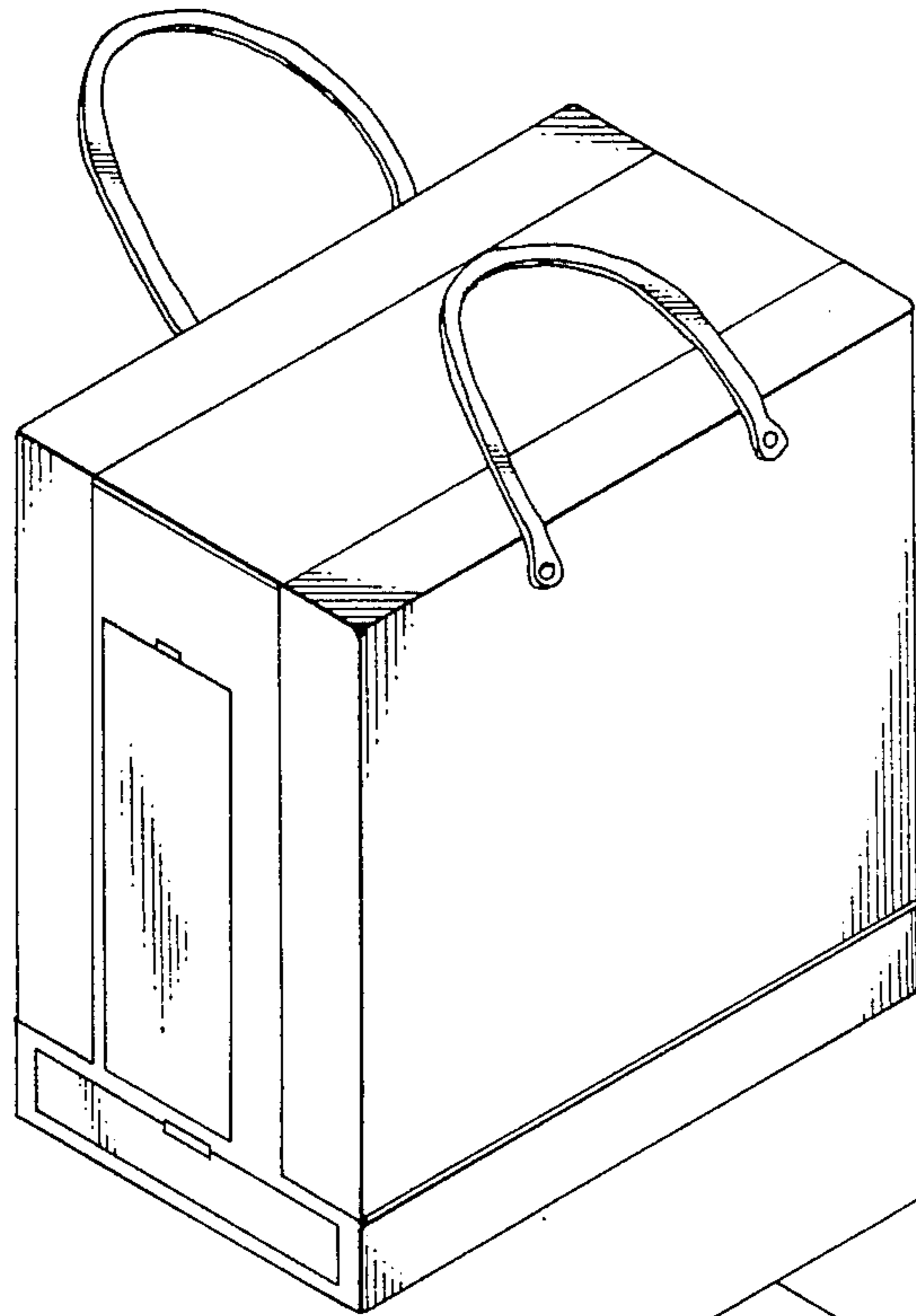


Fig. 1

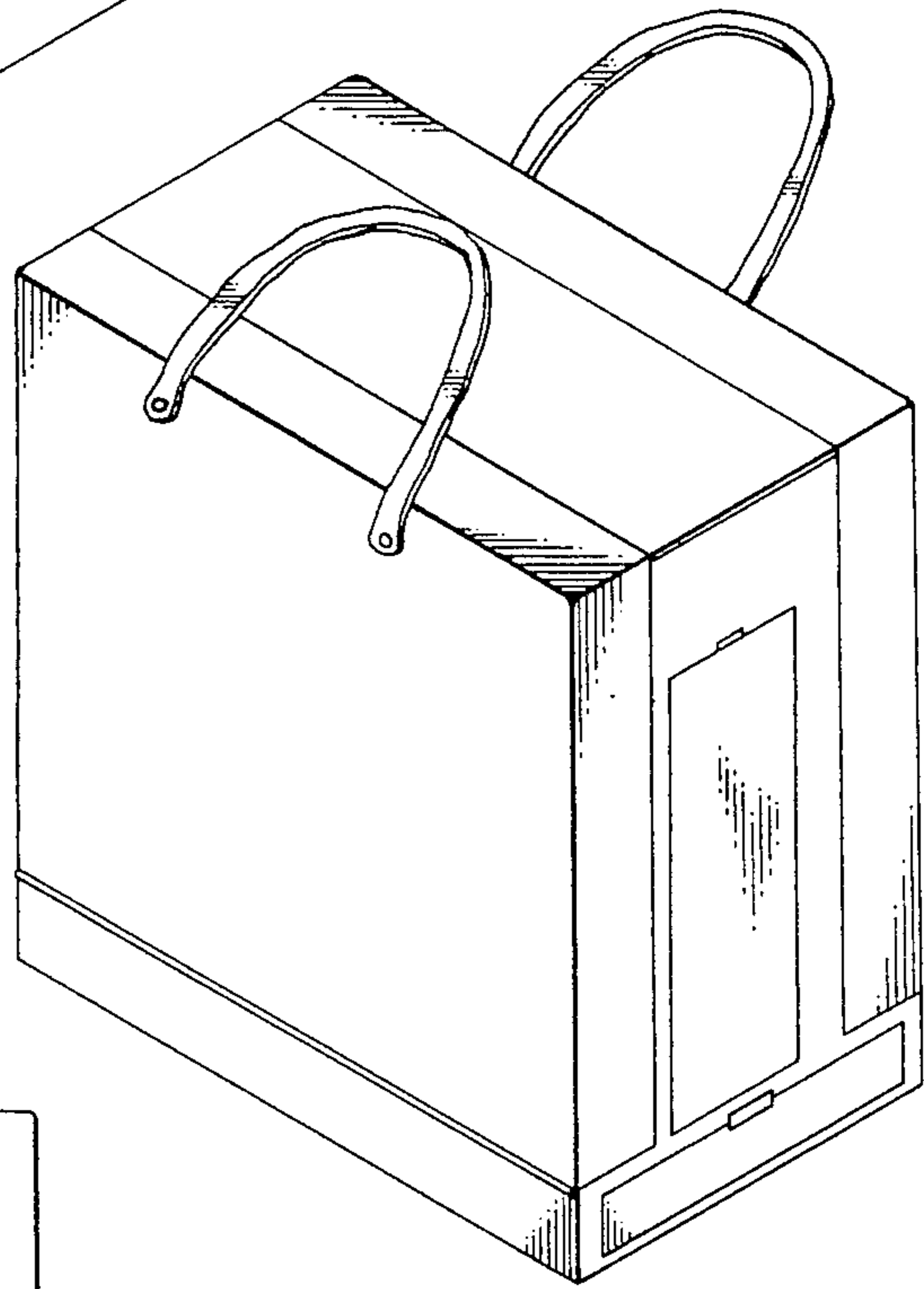


Fig. 2

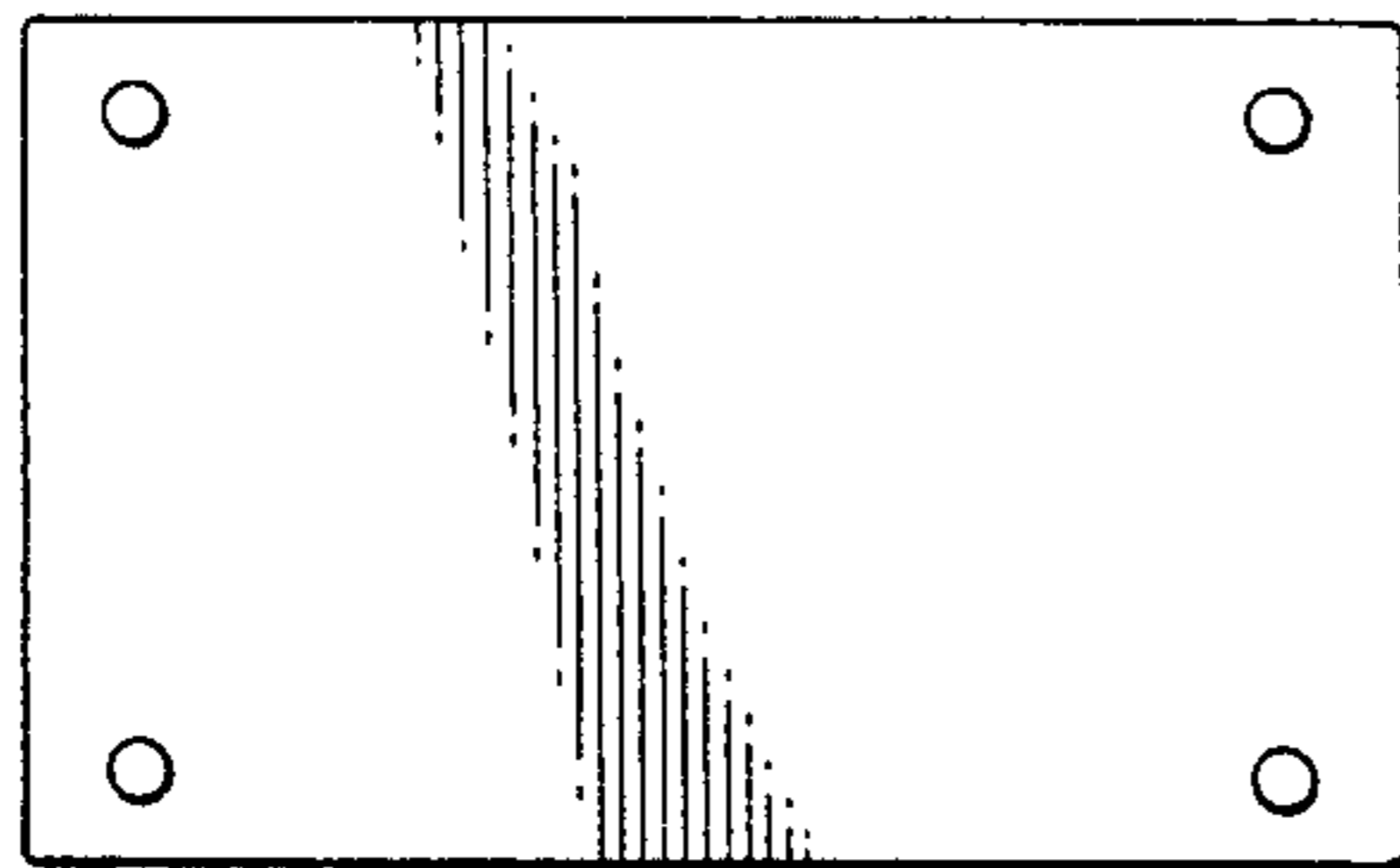


Fig. 3

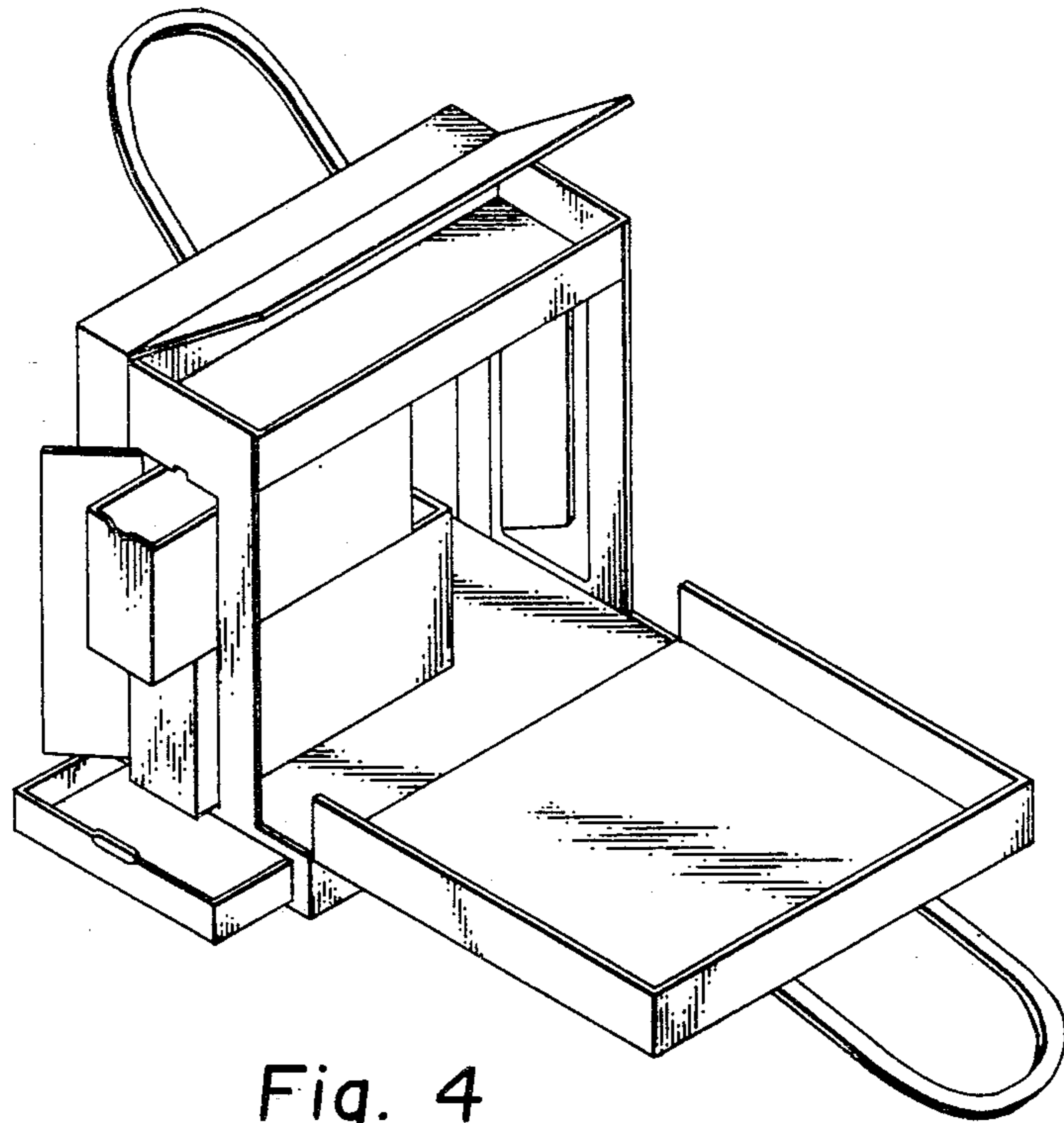


Fig. 4