

[54] **BELT BUCKLE**

[76] **Inventor: Jonmark Pierce, 2822 Eliot St., Denver, Colo. 80211**

[\*\*] **Term: 14 Years**

[21] **Appl. No.: 605,184**

[22] **Filed: Apr. 30, 1984**

[52] **U.S. Cl. .... D2/406**

[58] **Field of Search ..... D2/406, 407, 427, 428, D2/429, 430, 431, 432, 433, 434, 435, 436, 437, 440; 24/163 R, 163 K, 186, 187, 197, 198, 199, 200, 310, 312; D11/40, 85**

[56] **References Cited**

**U.S. PATENT DOCUMENTS**

D. 139,837 12/1944 Tamis ..... D2/407  
D. 270,782 11/1983 Rudd ..... D2/431  
3,908,239 9/1975 Gorman ..... 24/186 X

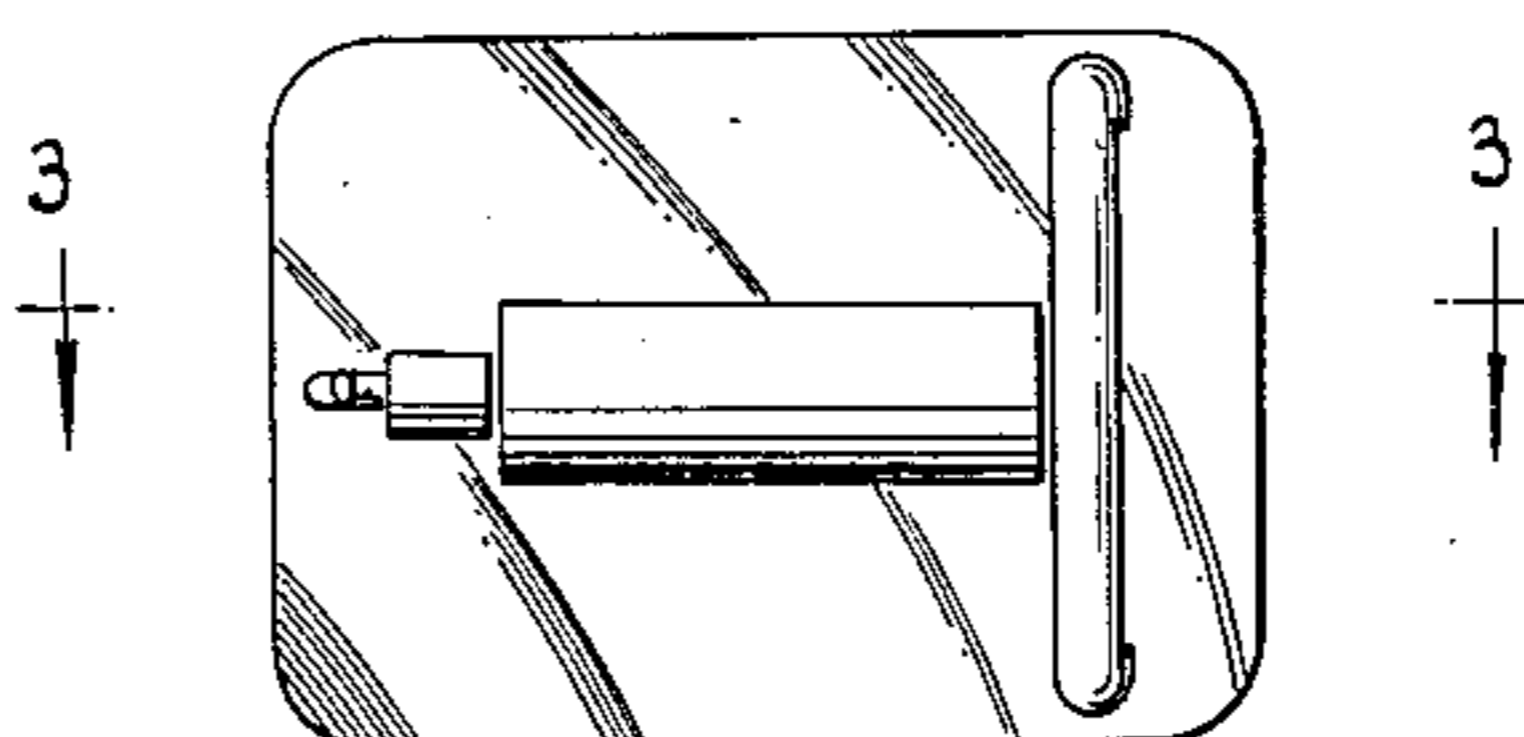
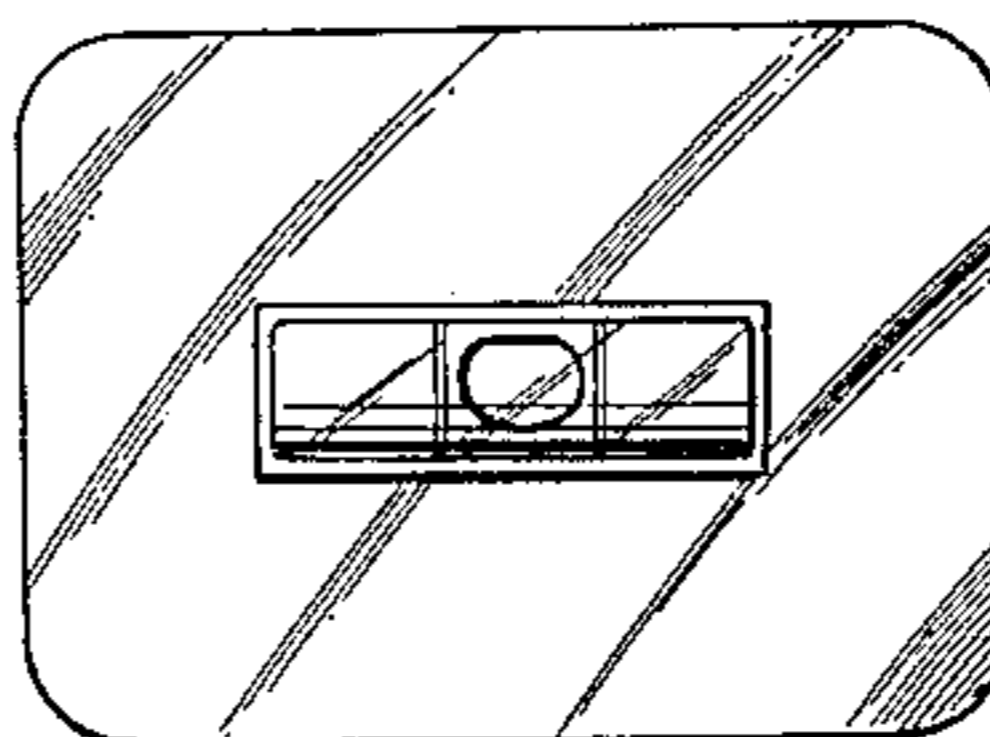
*Primary Examiner*—Bernard Ansher  
*Assistant Examiner*—Timothy Smith  
*Attorney, Agent, or Firm*—Sheridan, Ross & McIntosh

[57] **CLAIM**

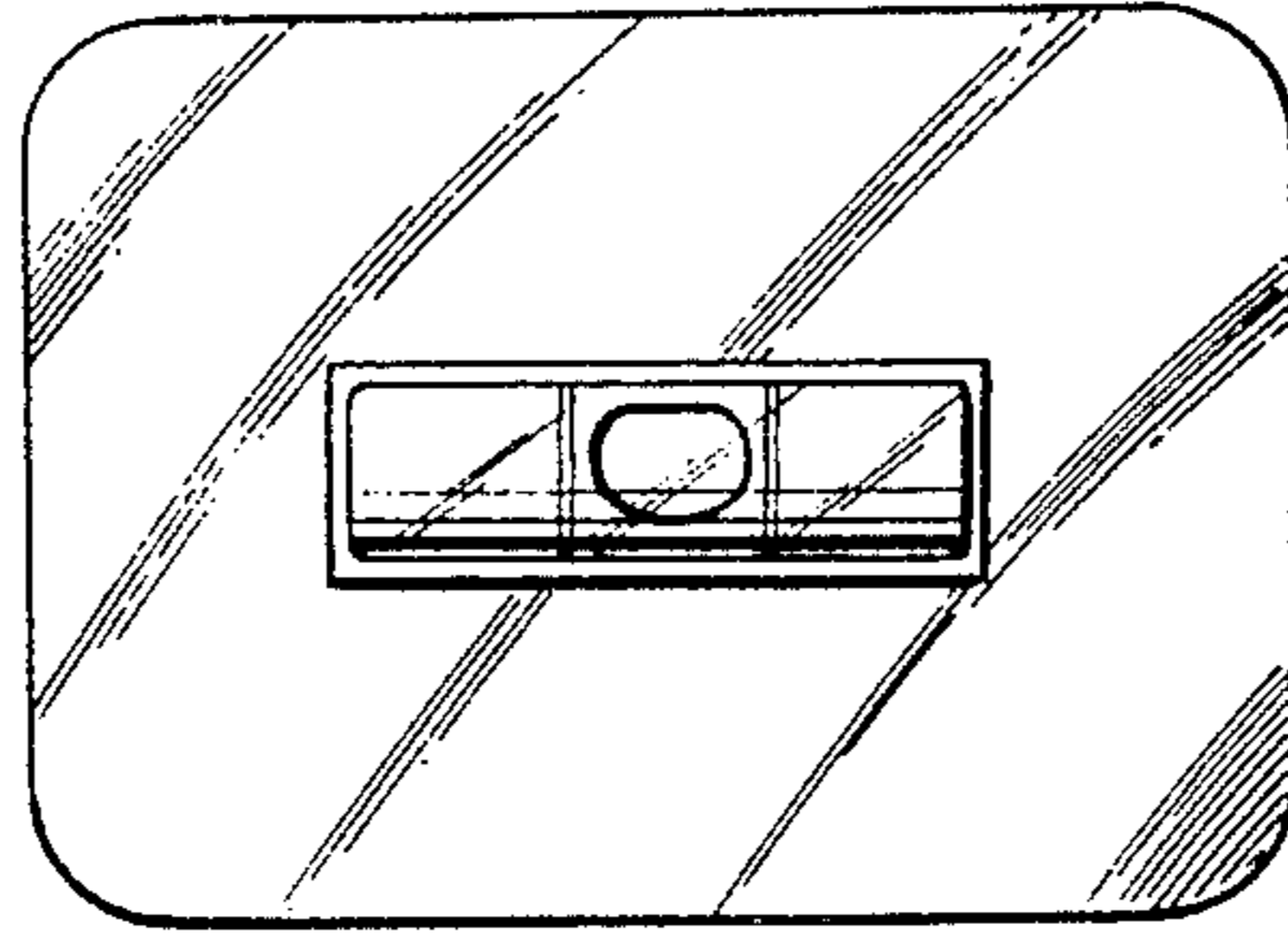
The ornamental design for the belt buckle, as shown and described.

**DESCRIPTION**

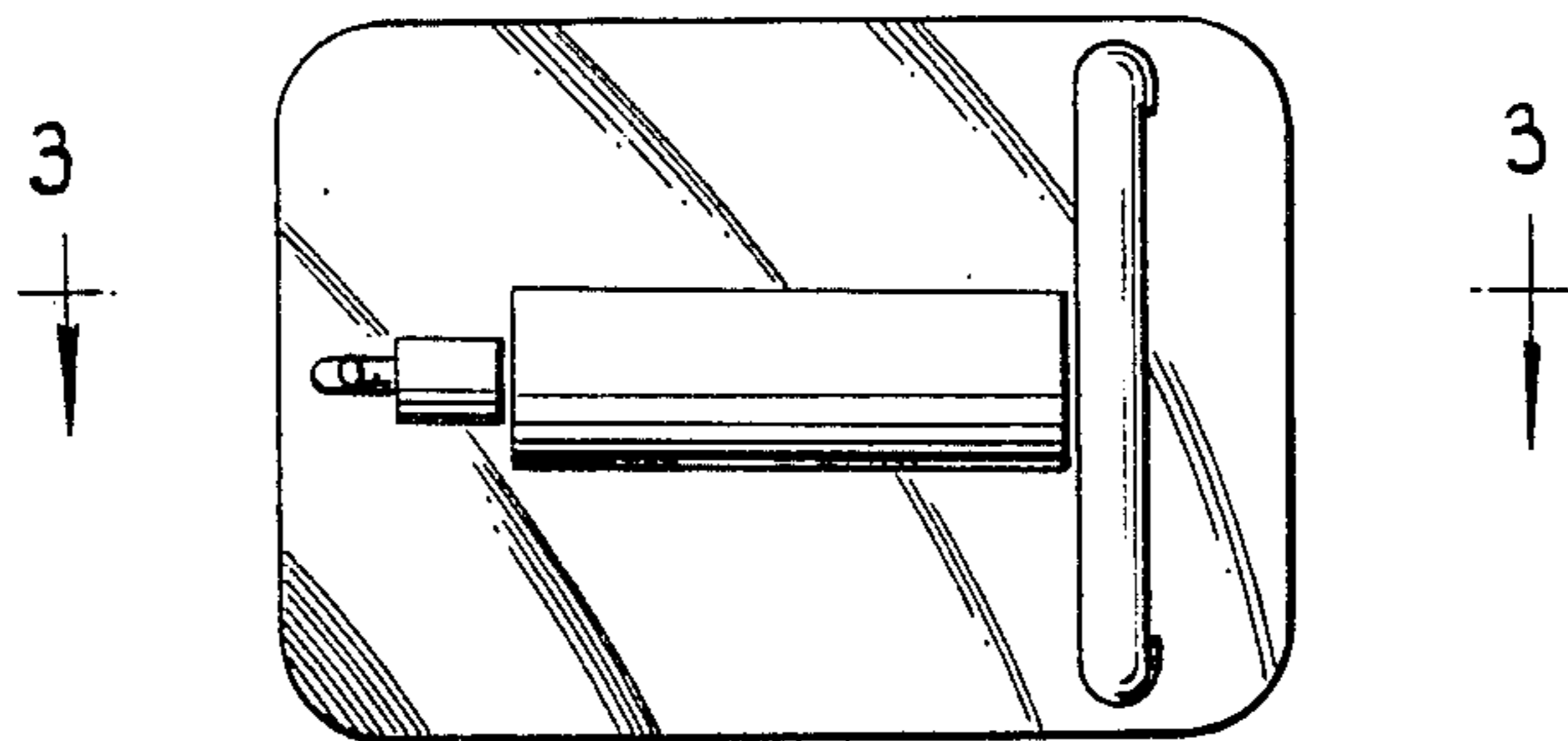
FIG. 1 is a front view of a belt buckle showing my design;  
FIG. 2 is a rear view thereof; and  
FIG. 3 is a cross-section taken on line 3—3 of FIG. 2.



*Fig. 1.*



*Fig. 2.*



*Fig. 3.*

