

United States Patent [19]

Forrest

[11] Patent Number: **Des. 284,521**

[45] Date of Patent: **** Jul. 8, 1986**

[54] **T-FITTING FOR A MOUNTAIN CLIMBER'S SLING**

[75] Inventor: **William E. Forrest, Denver, Colo.**

[73] Assignee: **Forrest Mountaineering, Ltd., Denver, Colo.**

[**] Term: **14 Years**

[21] Appl. No.: **604,633**

[22] Filed: **Apr. 27, 1984**

[52] U.S. Cl. **D2/405; D8/356**

[58] Field of Search **D2/404, 408, 409, 414, D2/418, 416; D21/244-246; D8/356; 280/801; 297/468; 224/205, 206, 208; 2/44, 45; 24/265 AL, 265 CD, 115 H, 115 K, 197, 198, 200**

[56] **References Cited**

U.S. PATENT DOCUMENTS

D. 272,517 2/1984 Koehn D8/384

3,127,652 4/1964 Springer 24/193
4,470,176 9/1984 Vermeulen et al. 24/265

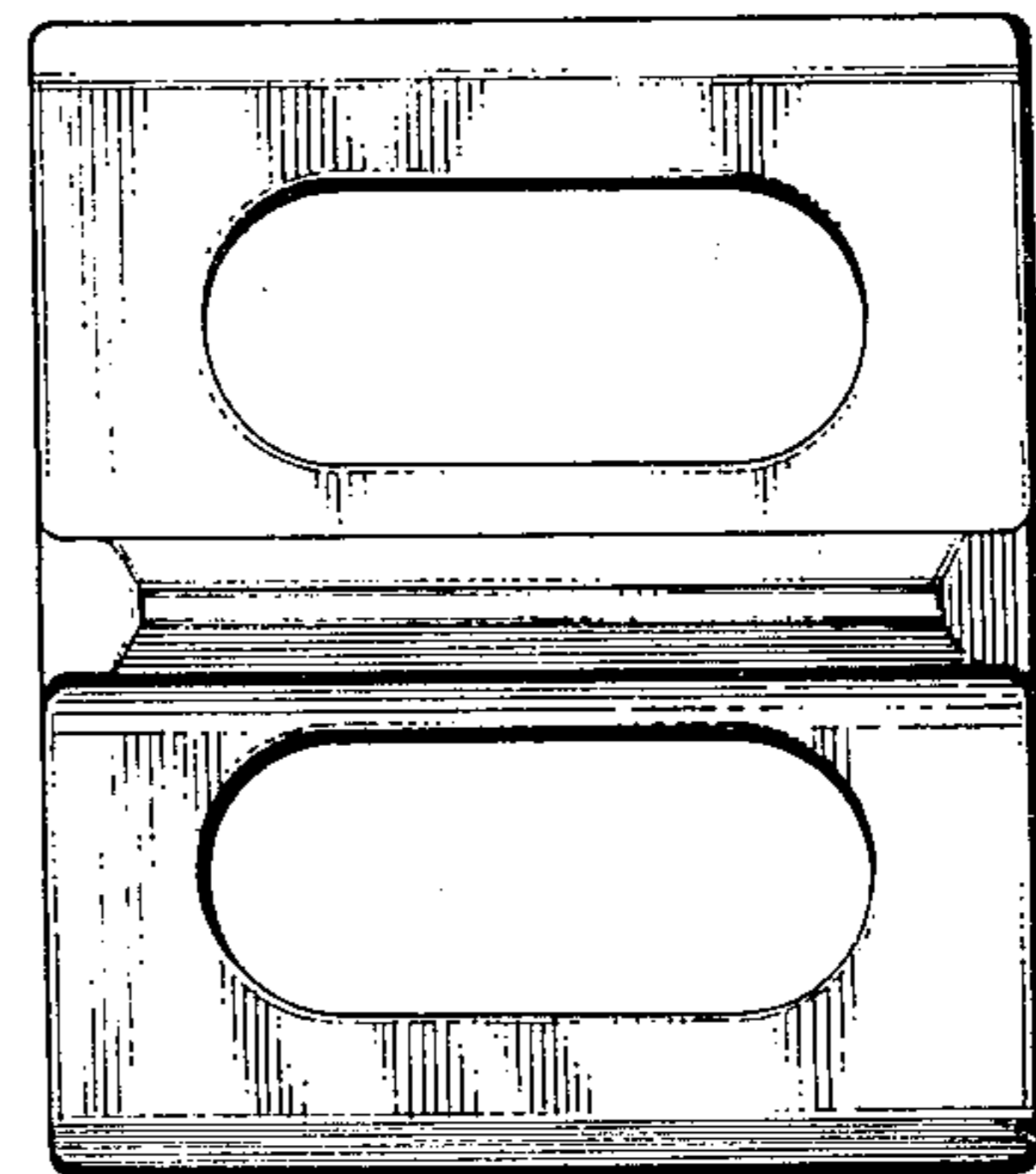
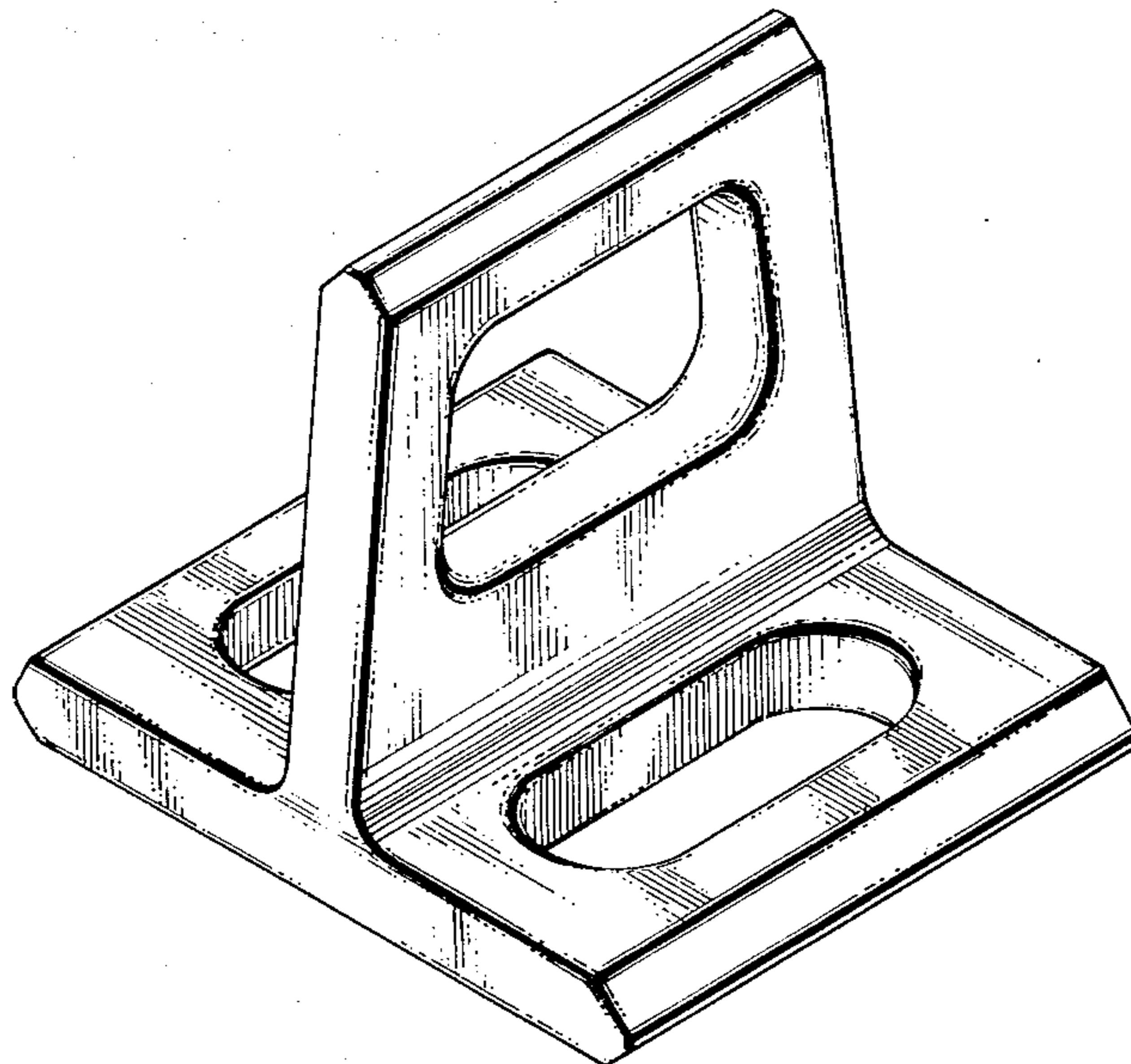
Primary Examiner—Bernard Ansher
Assistant Examiner—Timothy Smith
Attorney, Agent, or Firm—Edwin L. Spangler, Jr.

[57] **CLAIM**

The ornamental design for a T-fitting for a mountain climber's sling, as shown and described.

DESCRIPTION

FIG. 1 is a perspective view of a T-fitting for a mountain climber's sling showing my new design; FIG. 2 is a top plan view thereof; FIG. 3 is a front elevation thereof; FIG. 4 is a bottom plan view thereof; and, FIG. 5 is a left end elevational view thereof. The rear elevation is identical to the front elevation and the right end elevational view is identical to the left end elevational view.



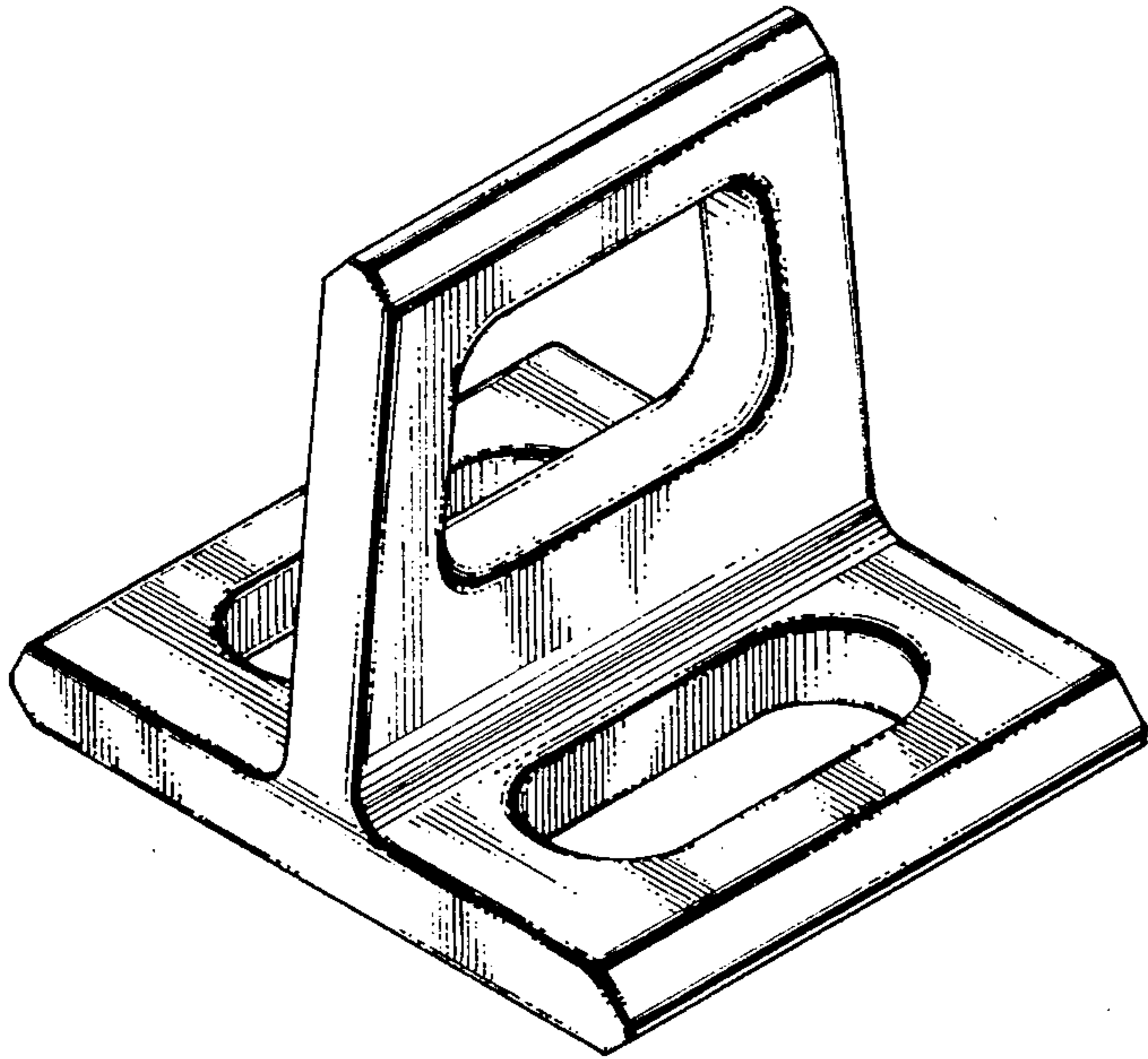


Fig. 1

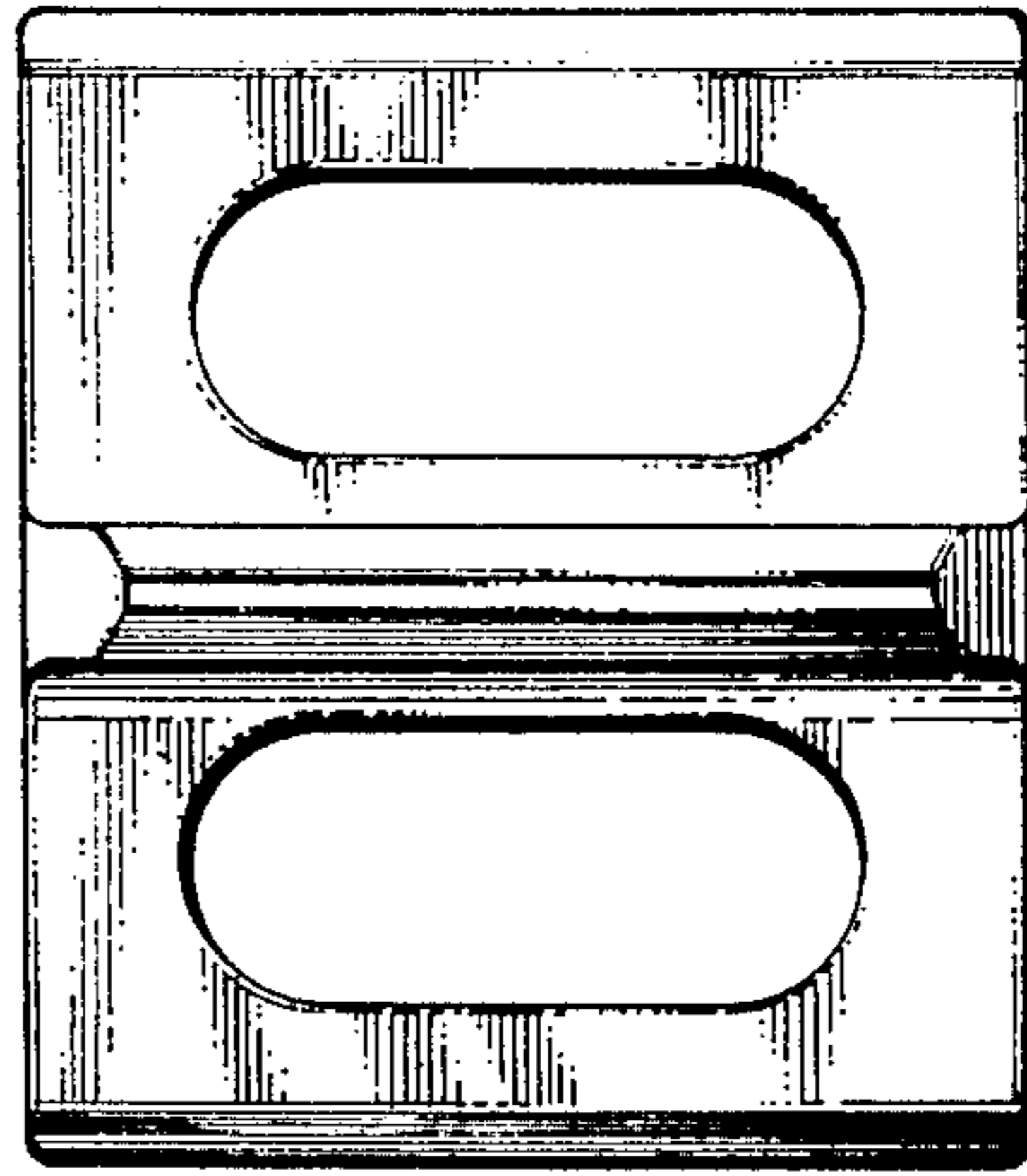


Fig. 2

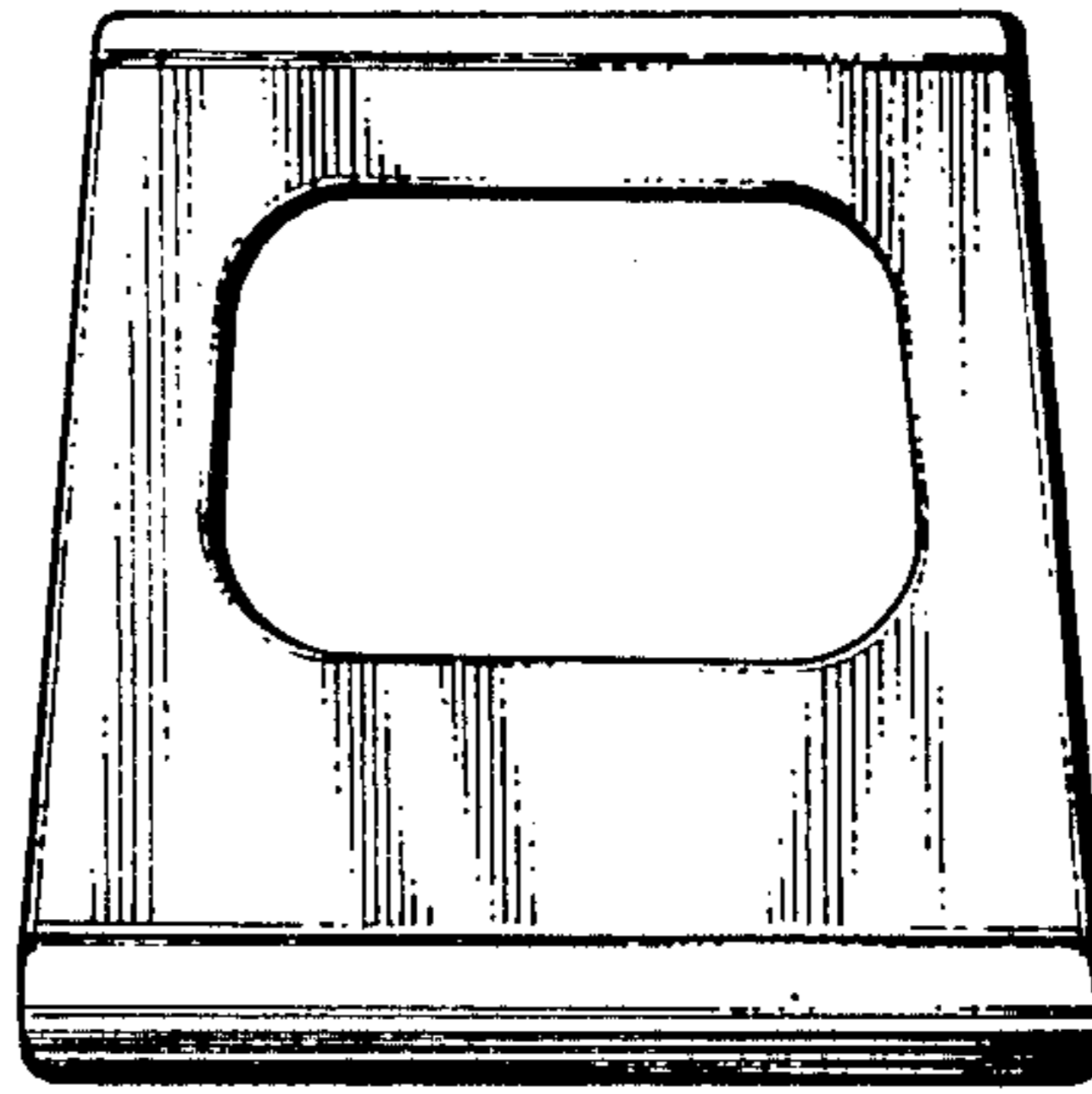


Fig. 3

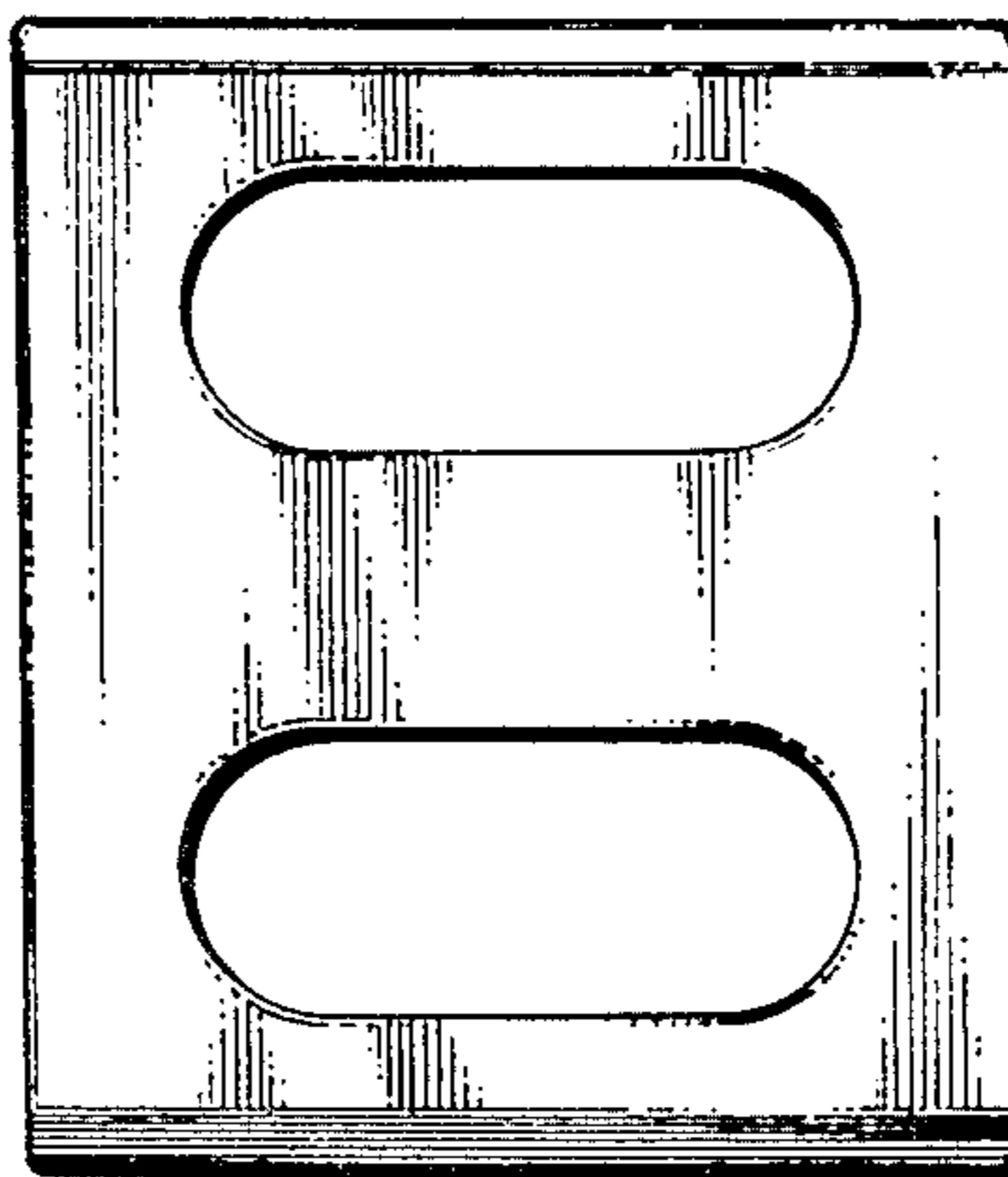


Fig. 4

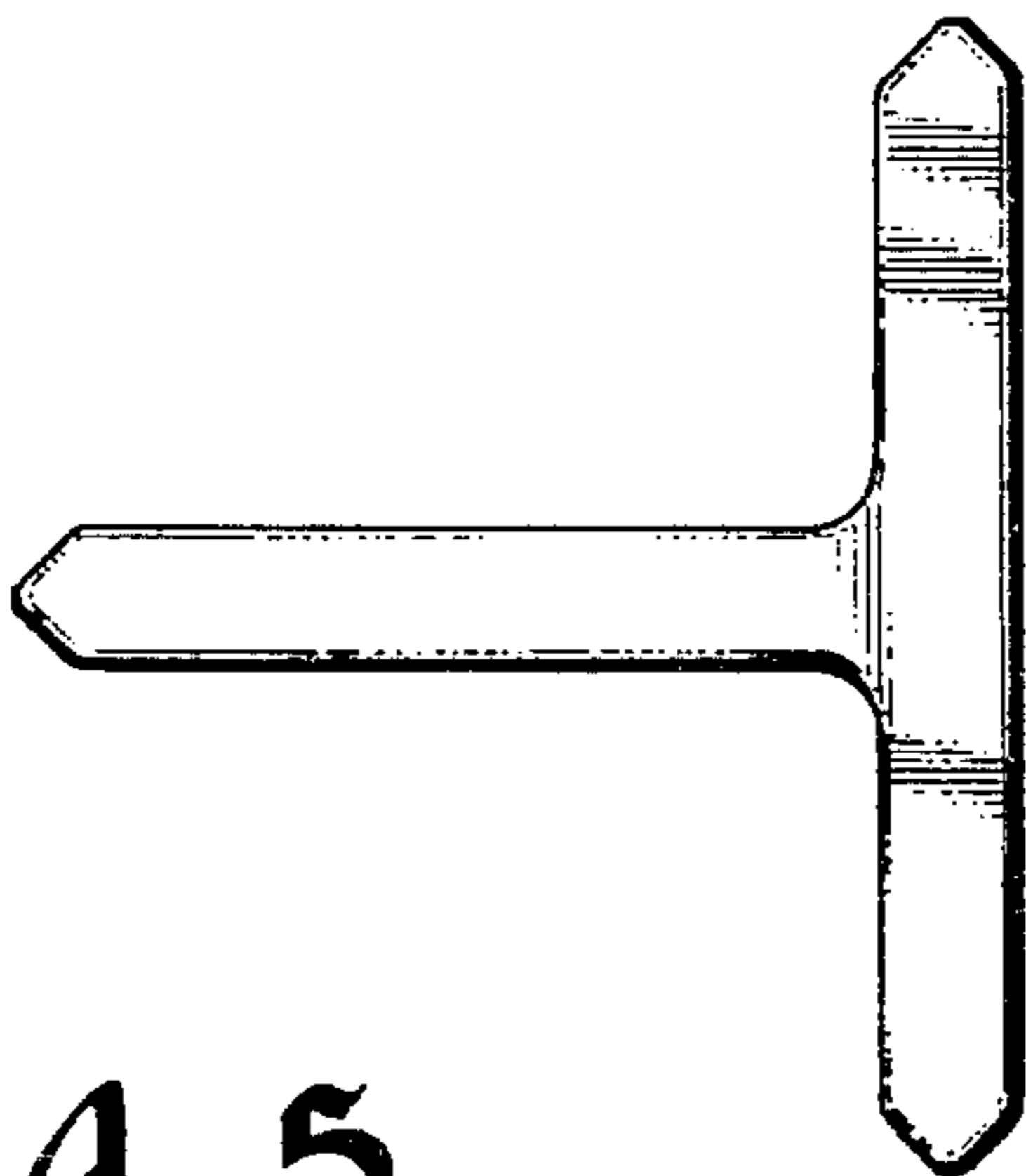


Fig. 5